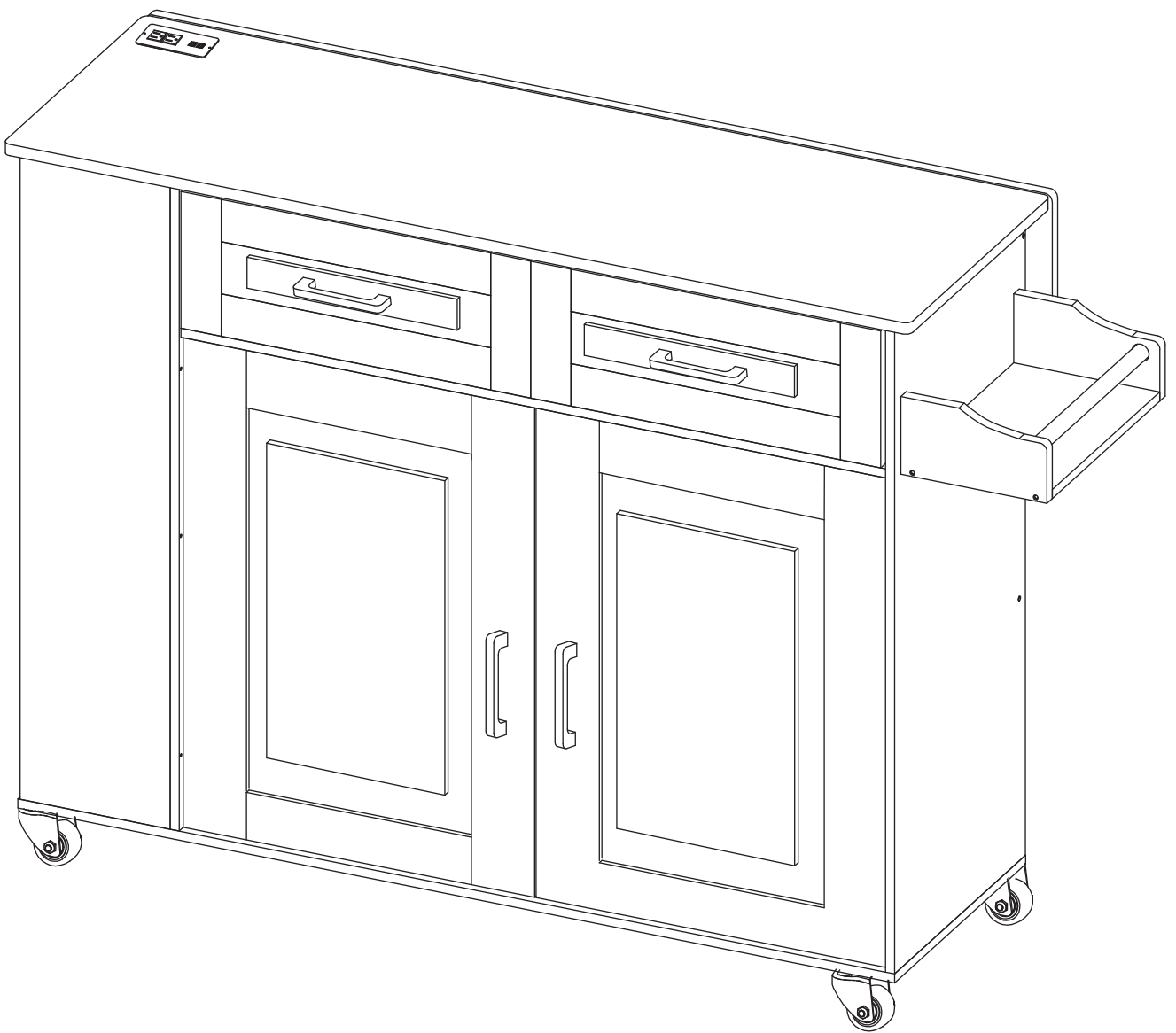
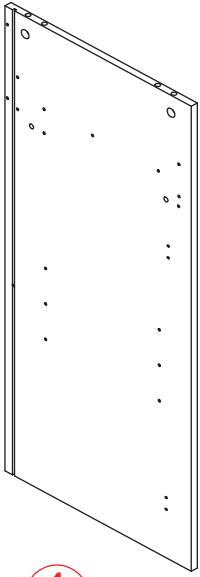


Installation Instruction

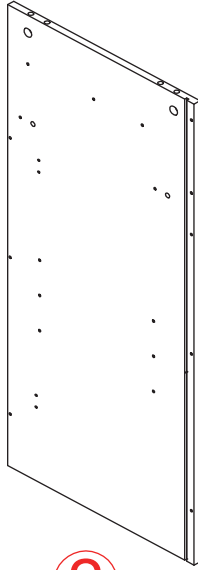
Please don't tighten the screws completely and go back later for a final tightening of all the screws after pieces are aligned with each other.



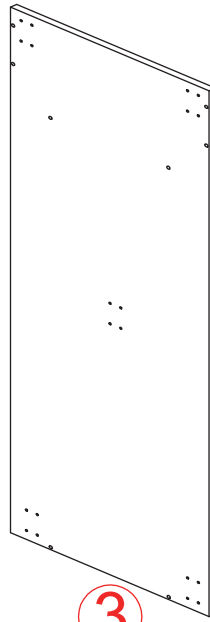
HARDWARE LIST



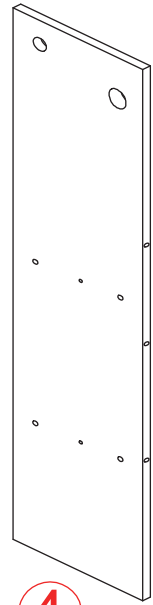
①
1PC



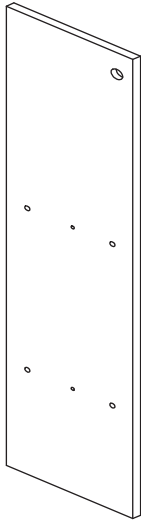
②
1PC



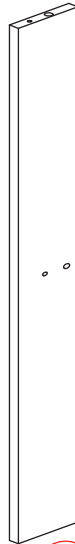
③
1PC



④
1PC



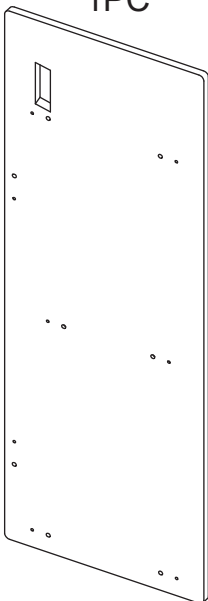
⑤
1PC



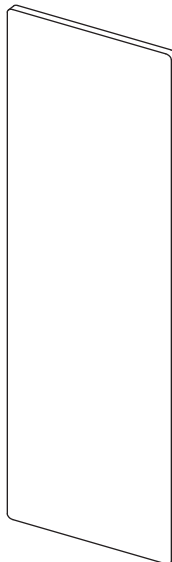
⑥
1PC



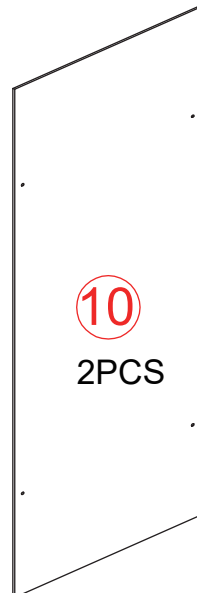
⑦
1PC



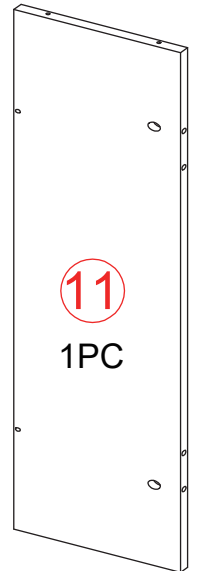
⑧
1PC



⑨
1PC

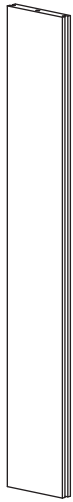


⑩
2PCS

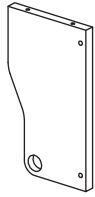


⑪
1PC

12
1PC



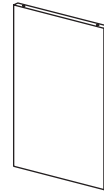
13
1PC



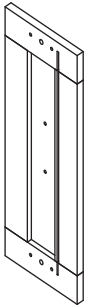
14
1PC



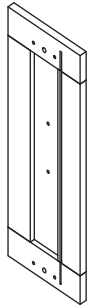
15
1PC



16
1PC



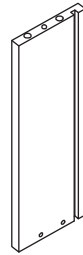
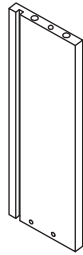
17
1PC



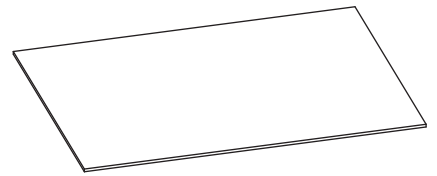
18
2PC



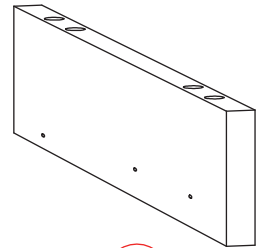
19
2PC



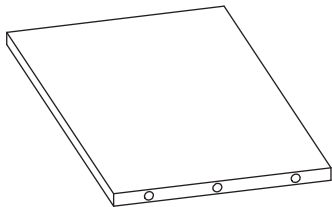
21
2PCS



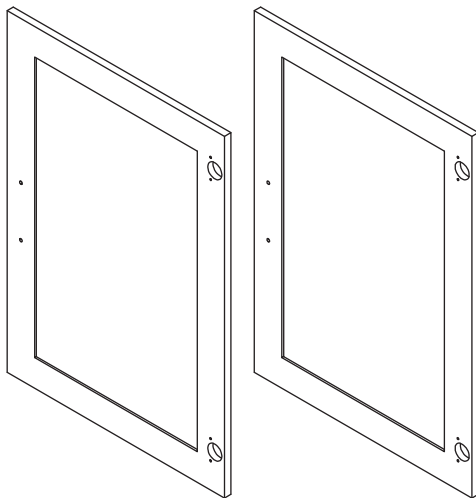
22
1PC



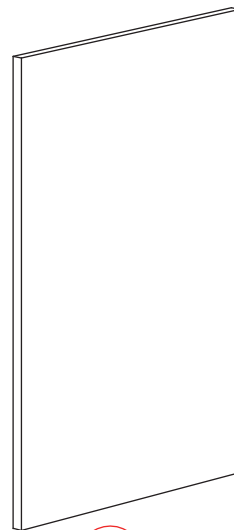
23
2PC



24
2PCS



25
1PC



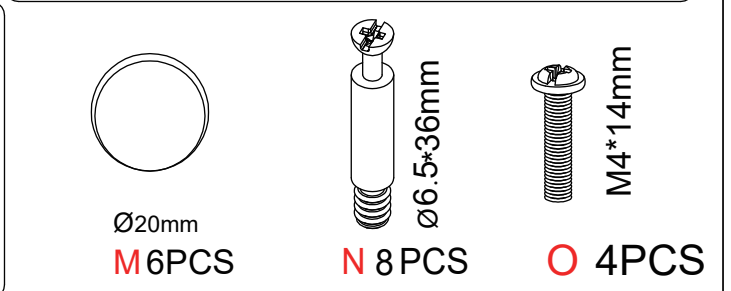
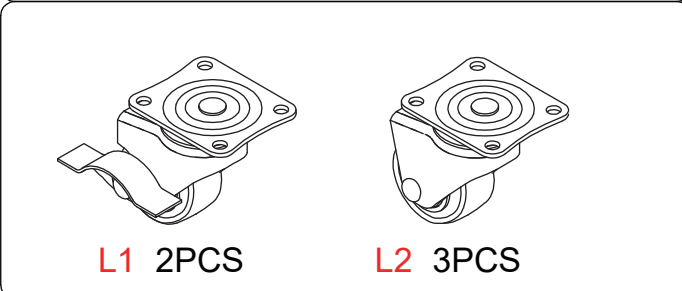
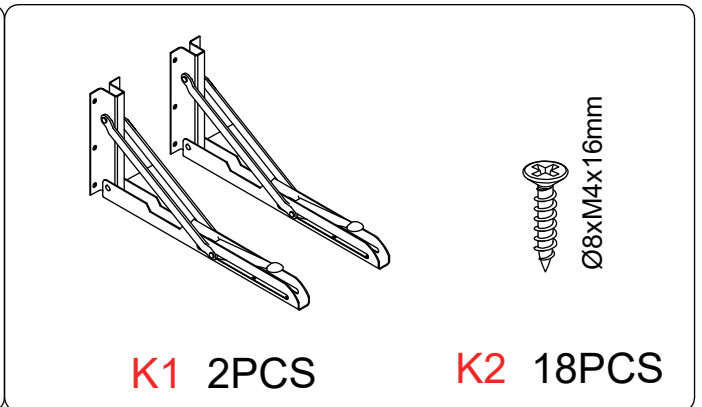
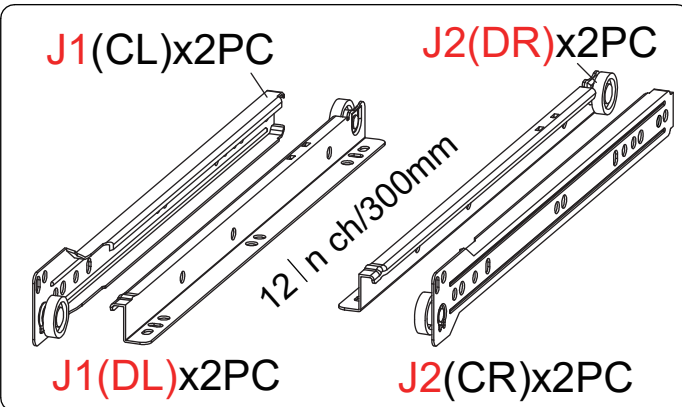
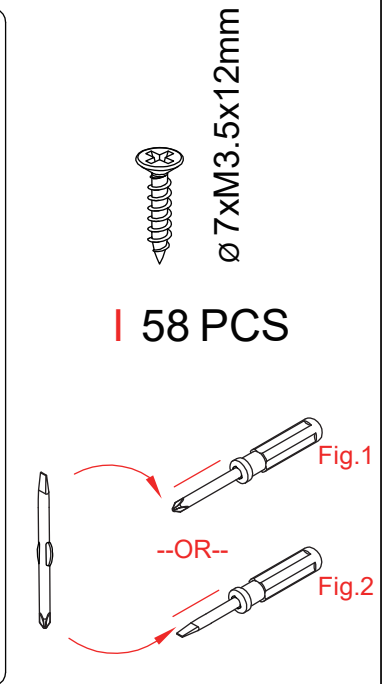
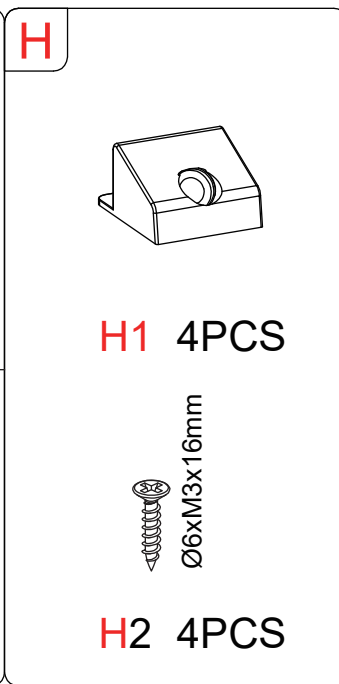
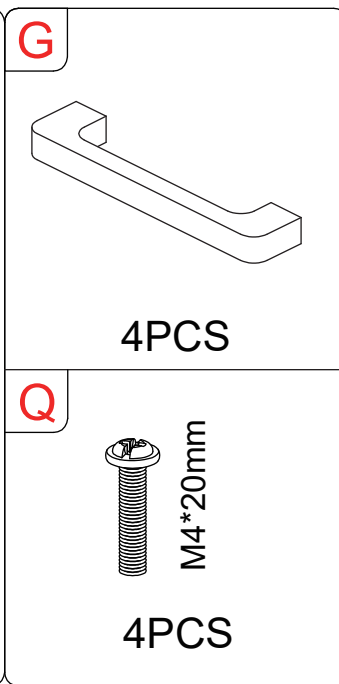
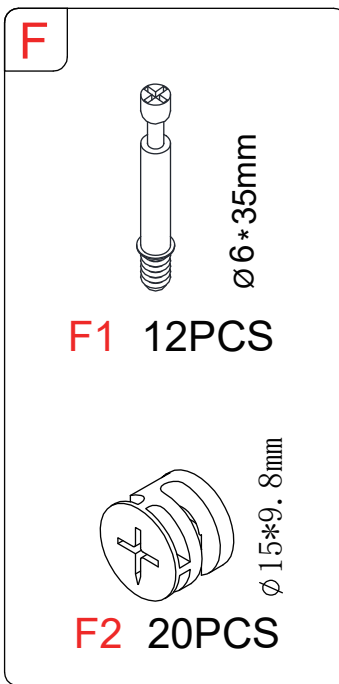
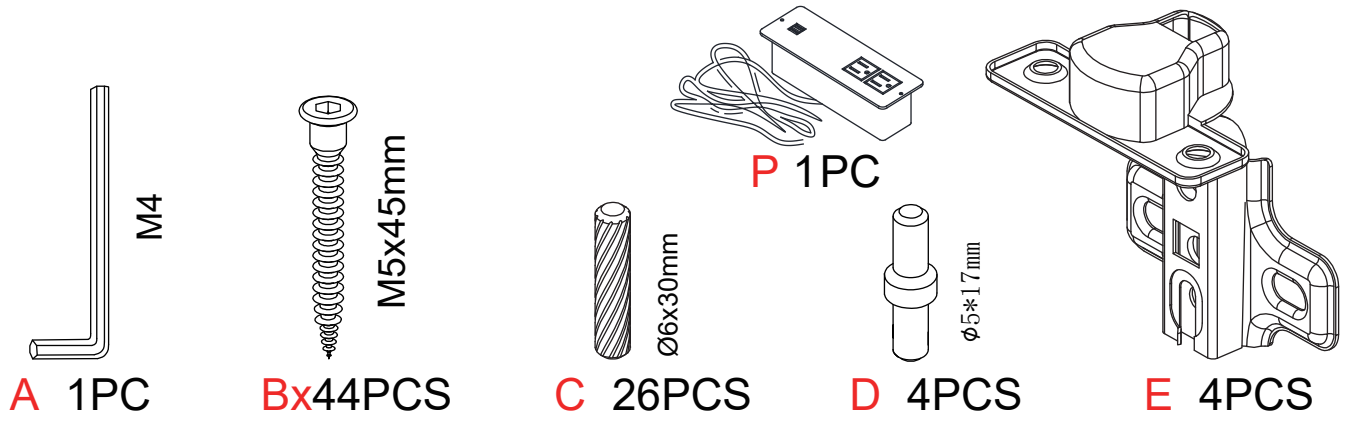
26
1PCS



27
1PCS

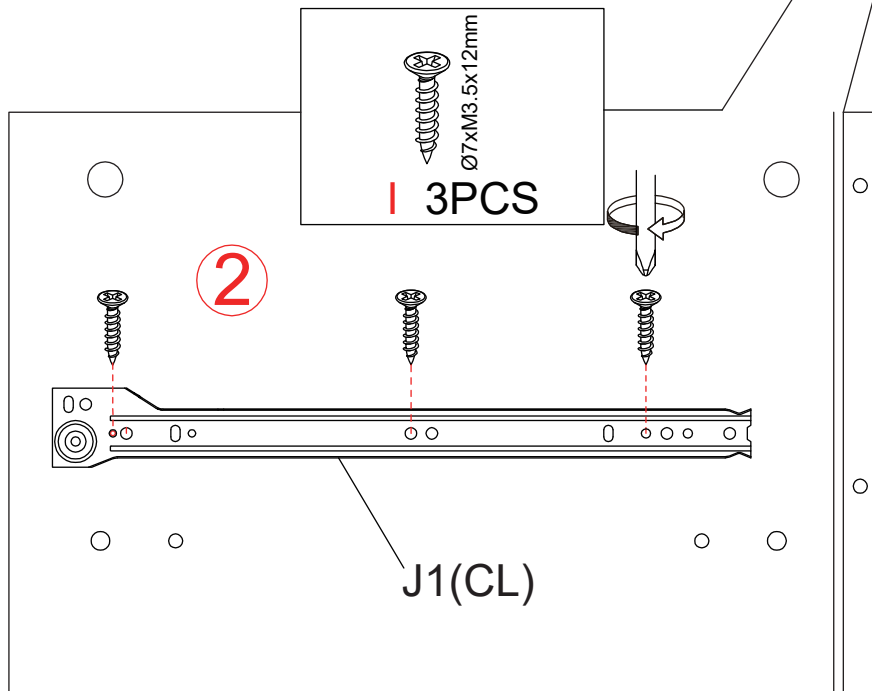
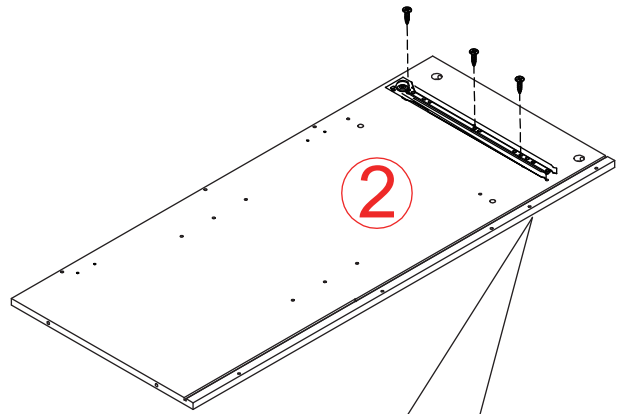
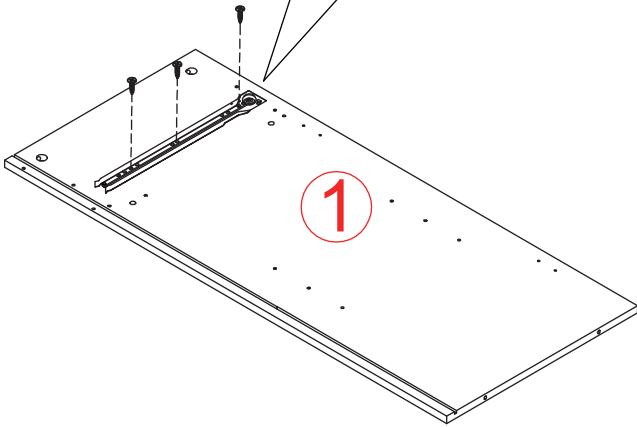
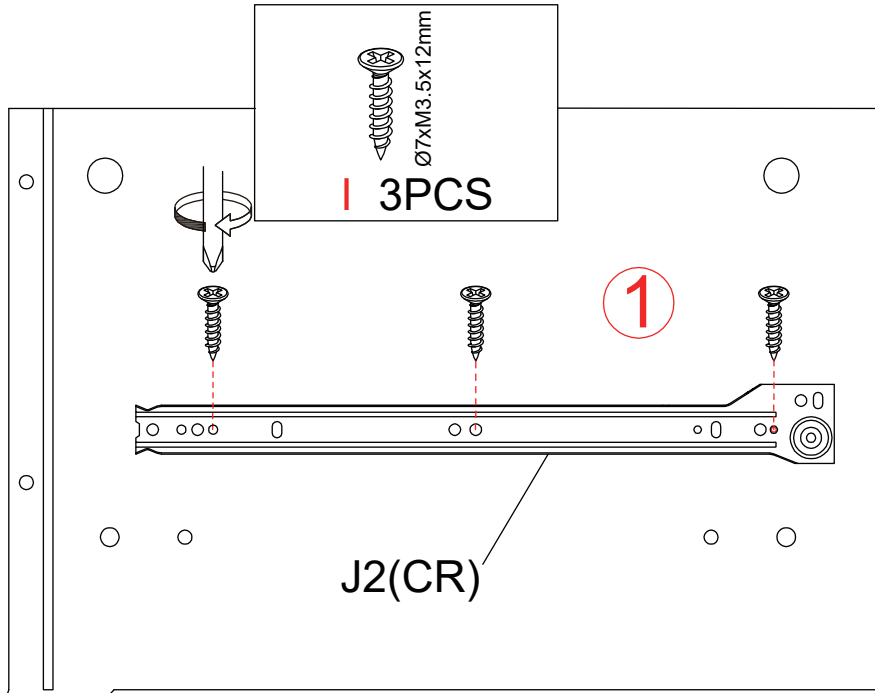


PARTA LIST



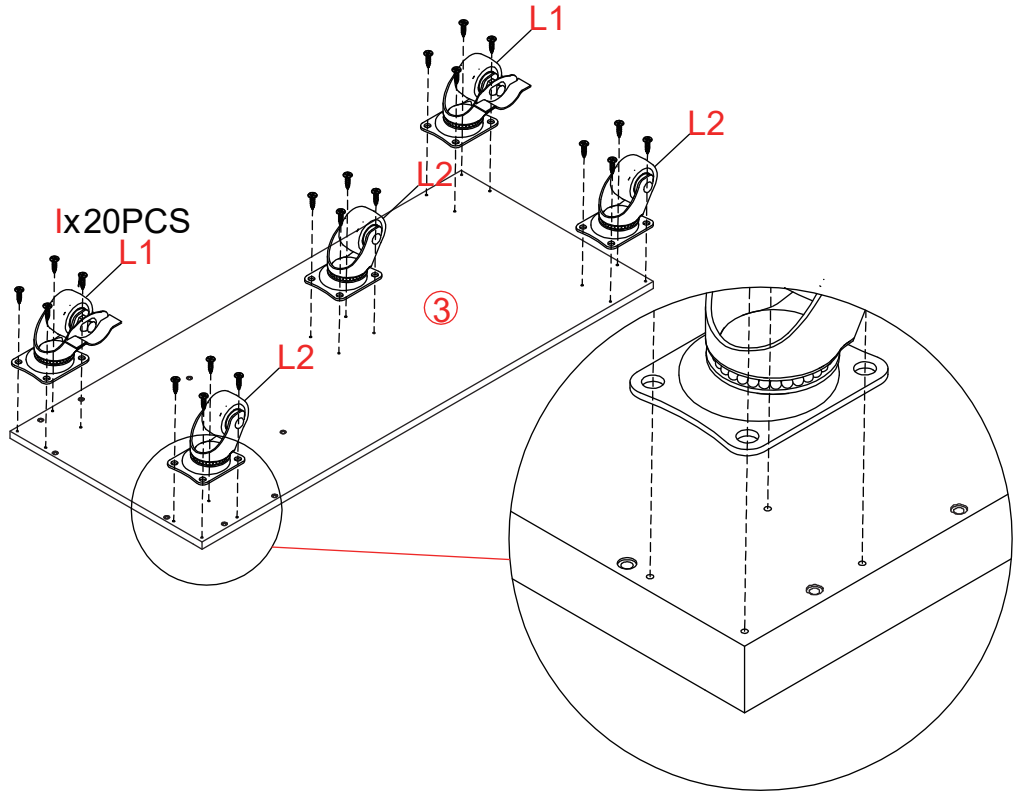
1

- | x 6PCS
- J1(CL)x1PC
- J2(CR)x1PC
- ① x1PC
- ② x1PC



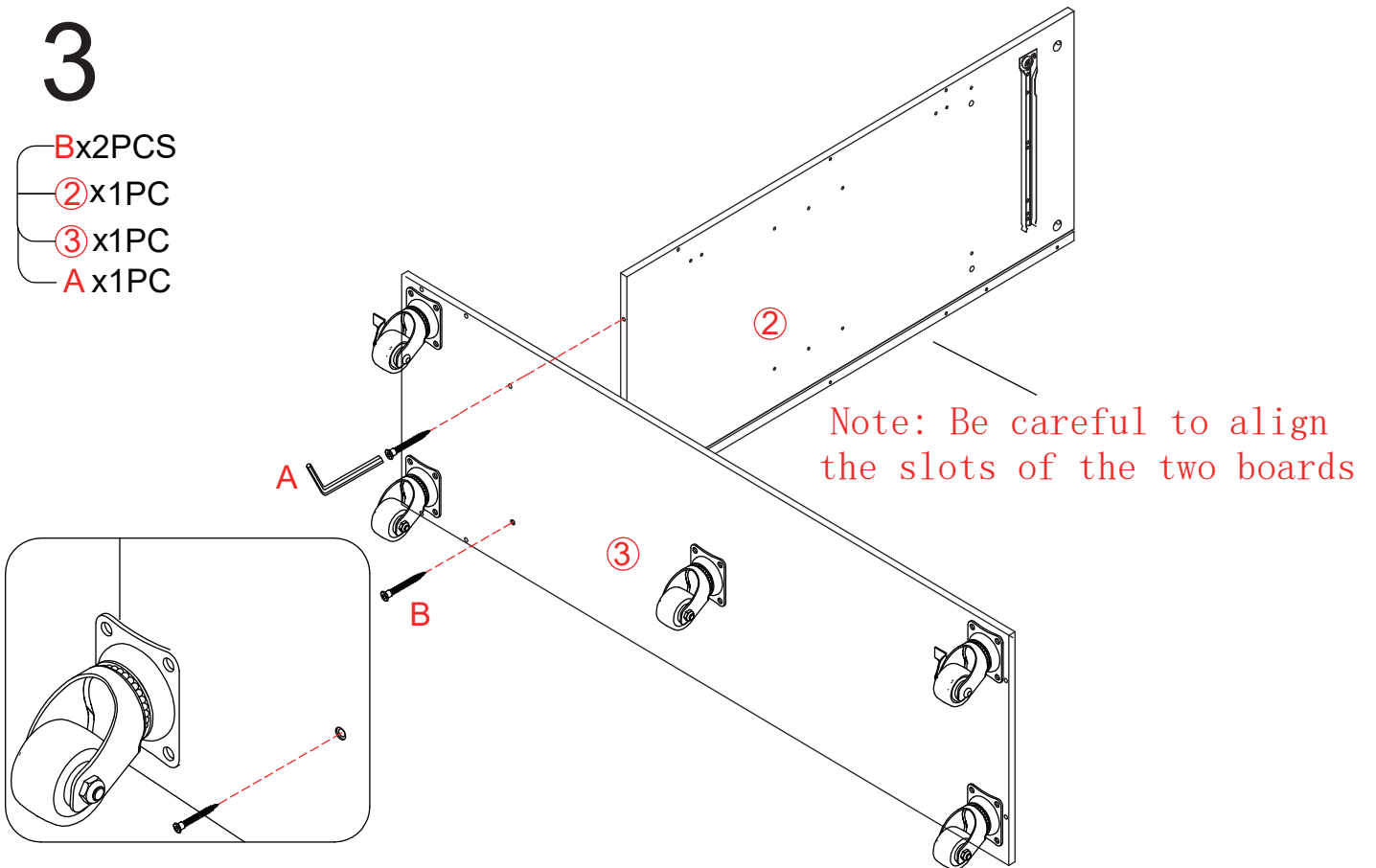
2

- I x 20 PCS
- L1 x 2 PCS
- L2 x 3 PCS
- ③ x 1 PC



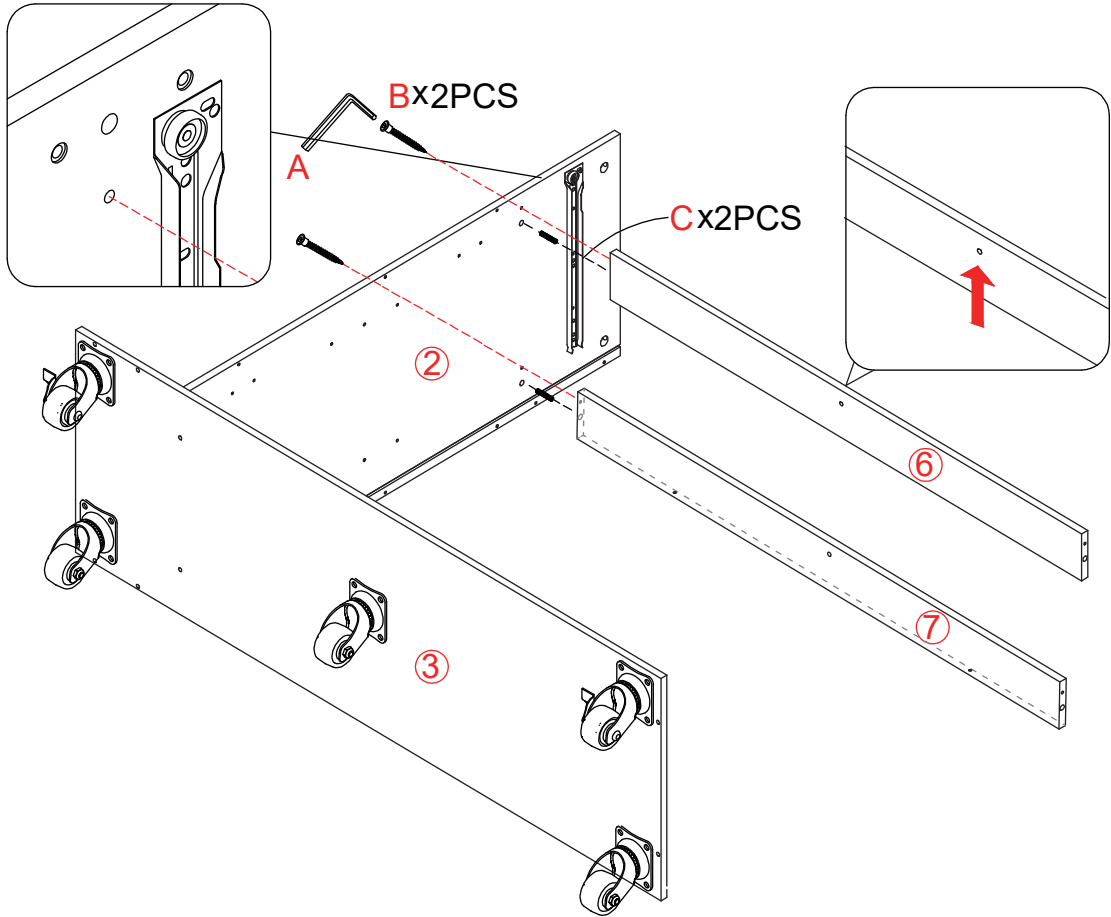
3

- B x 2 PCS
- ② x 1 PC
- ③ x 1 PC
- A x 1 PC



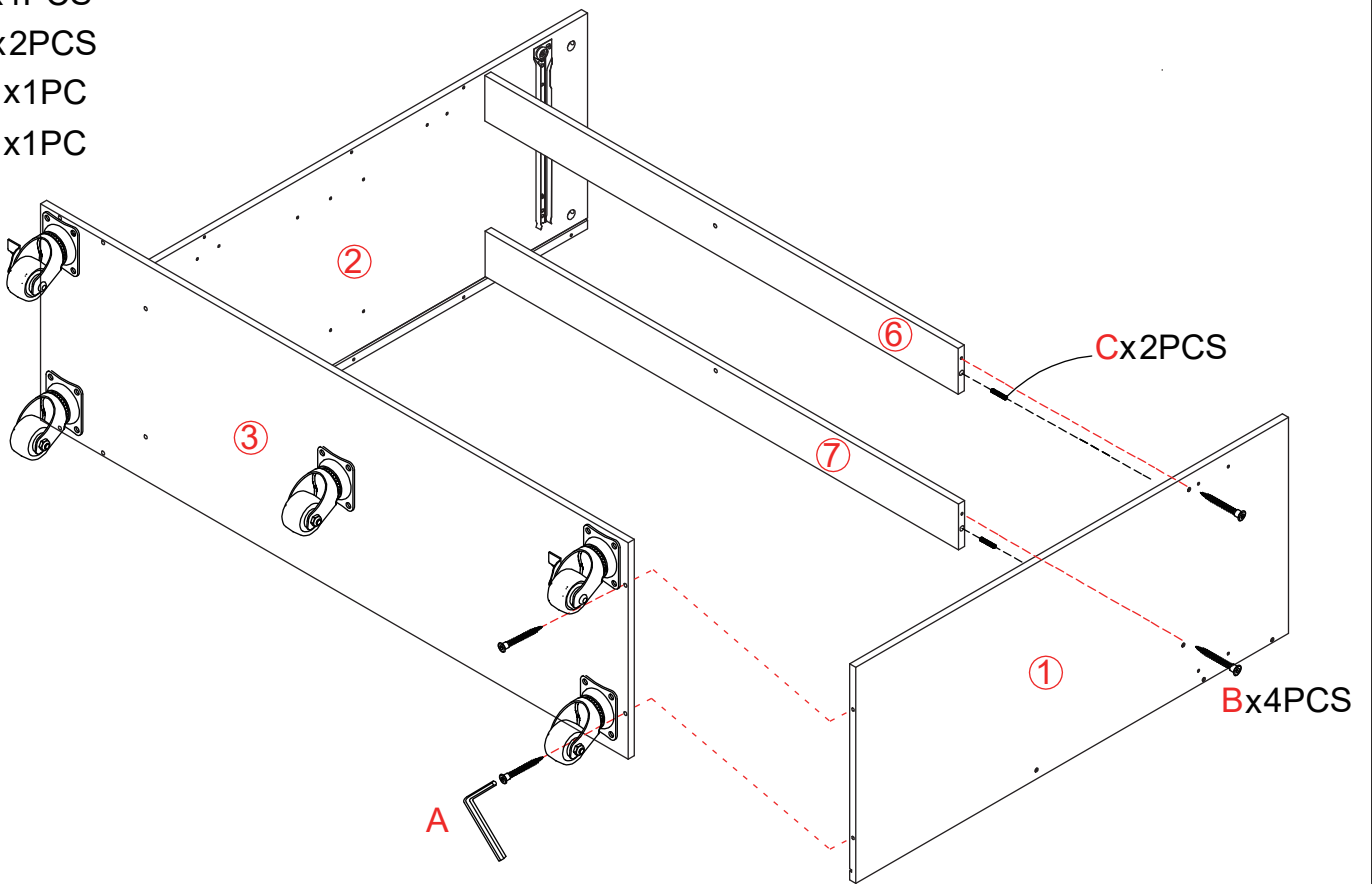
4

- Bx2PCS
- Cx2PCS
- ⑥x1PC
- ⑦x1PC
- A x1PC



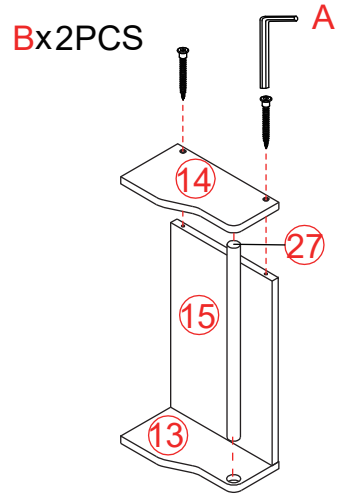
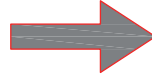
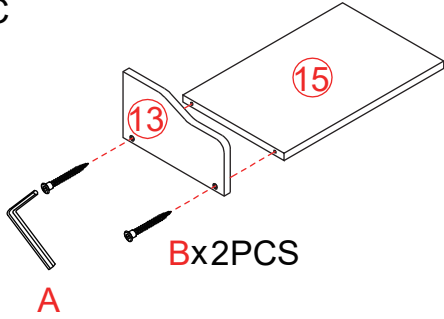
5

- Bx4PCS
- Cx2PCS
- ①x1PC
- A x1PC



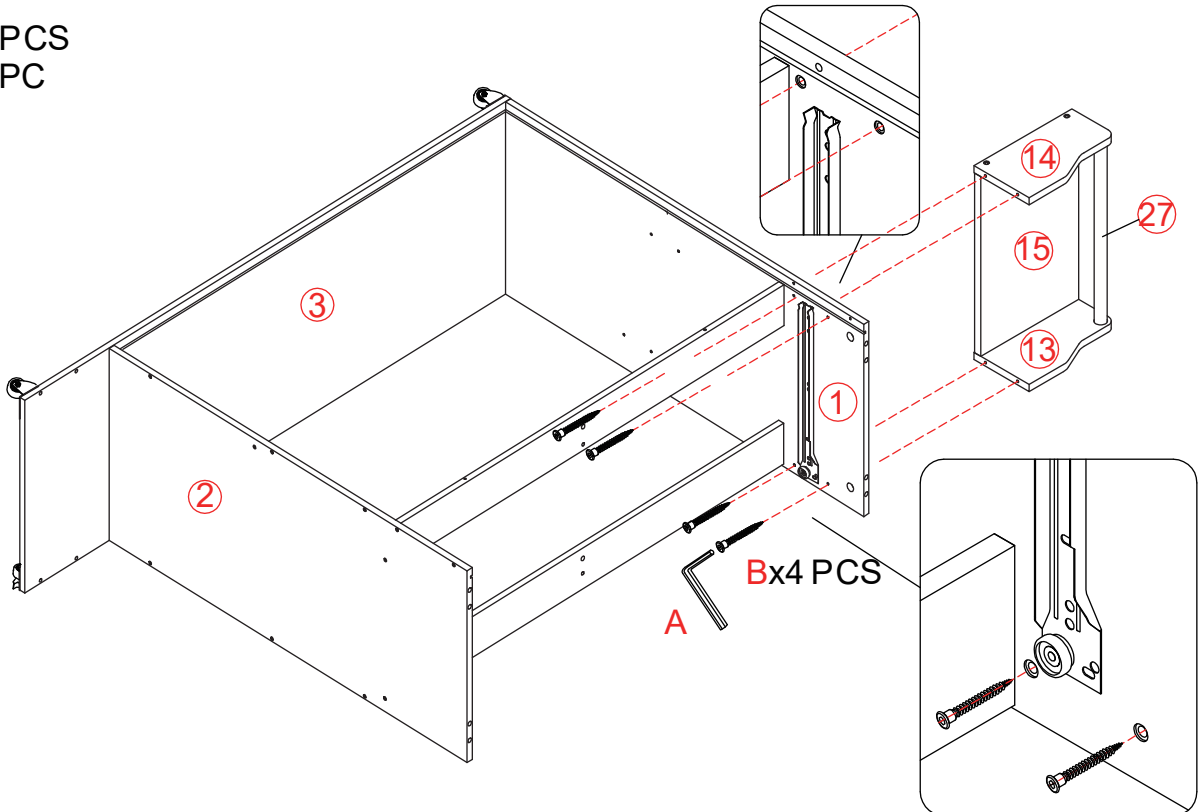
6

- Bx4PCS
- 13x1PC
- 14x1PC
- 15x1PC
- 27x1PC
- Ax1PC

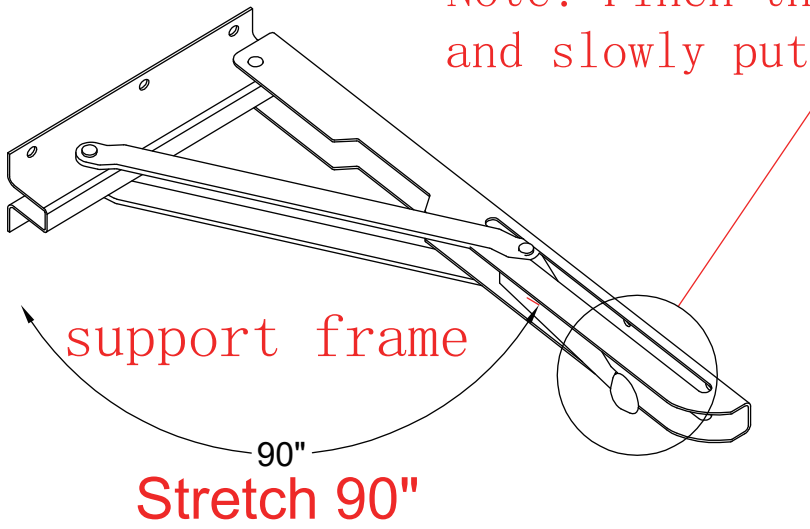


7

- Bx4 PCS
- Ax1PC



Note: Pinch the support bracket and slowly put it into the card slot.

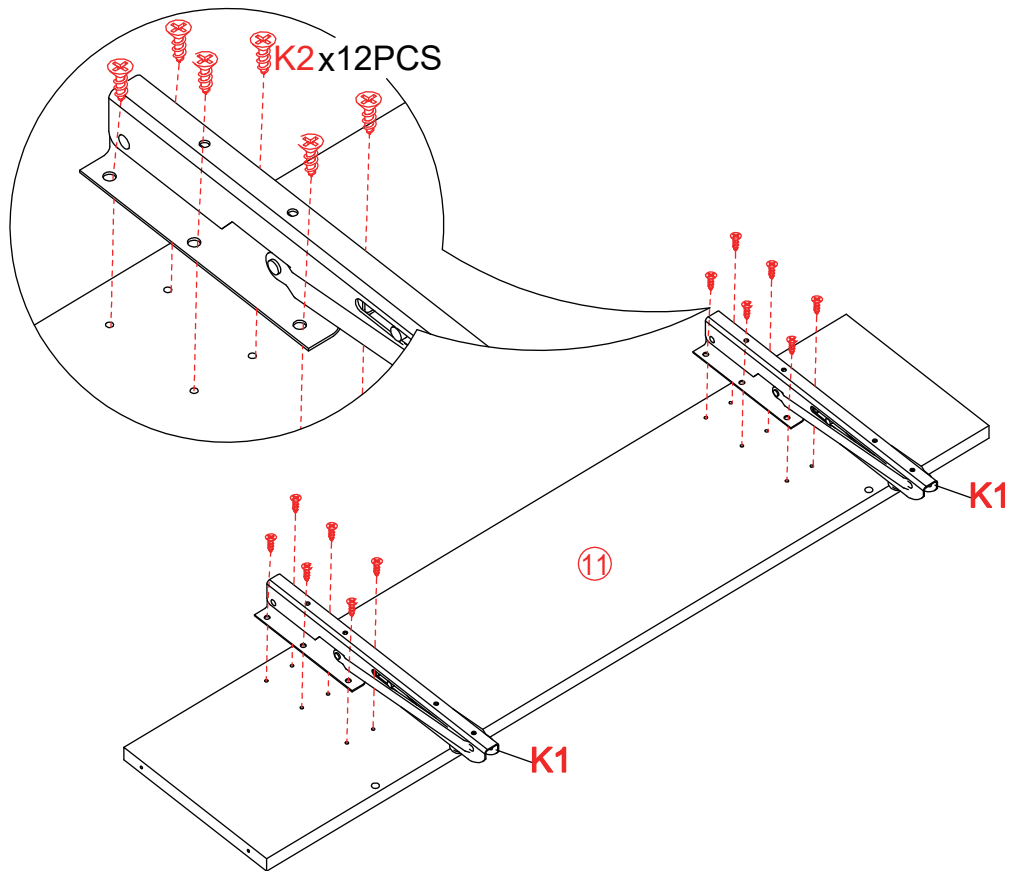


8

K1x2PCS

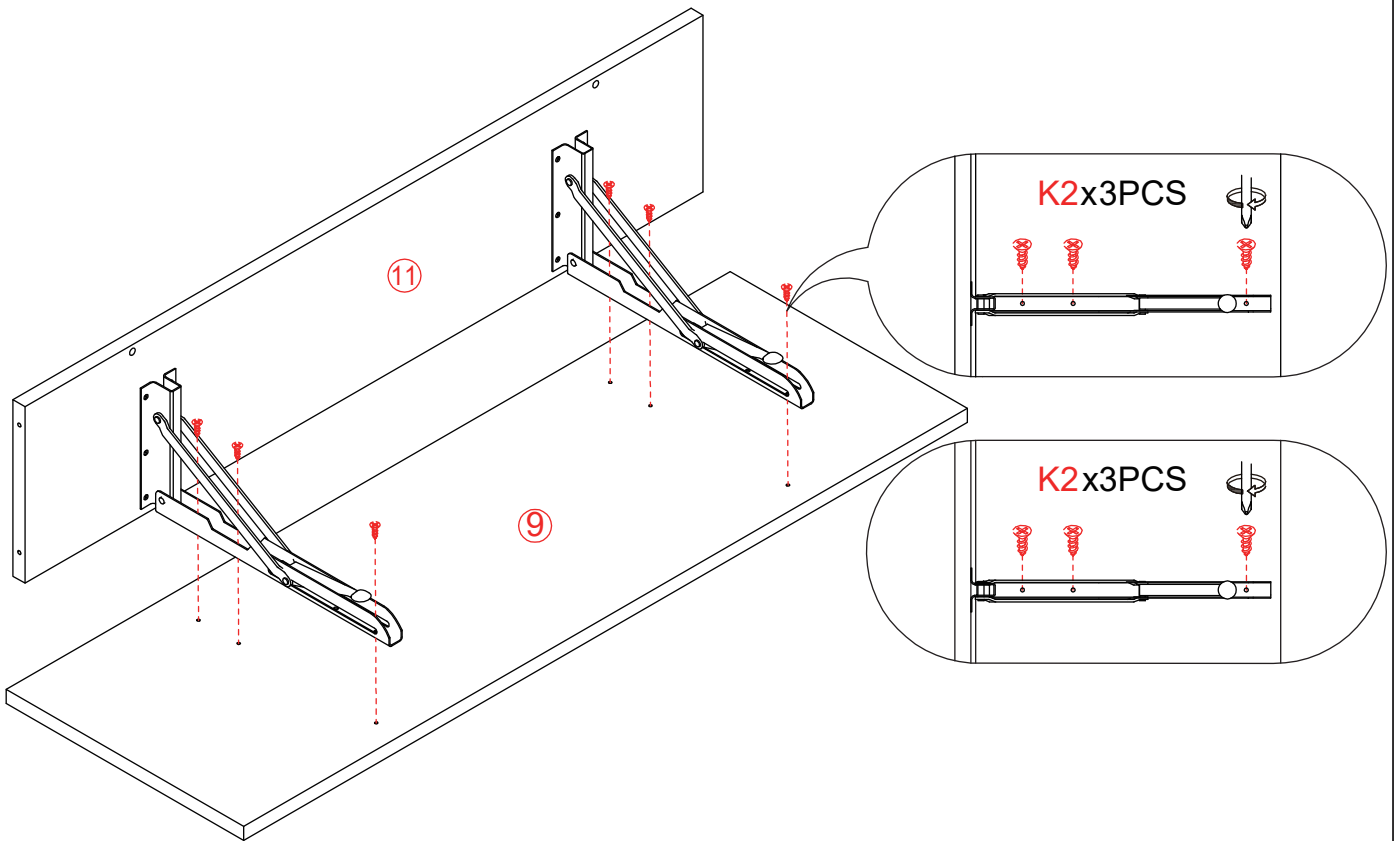
K2x12PCS

⑪x1PC

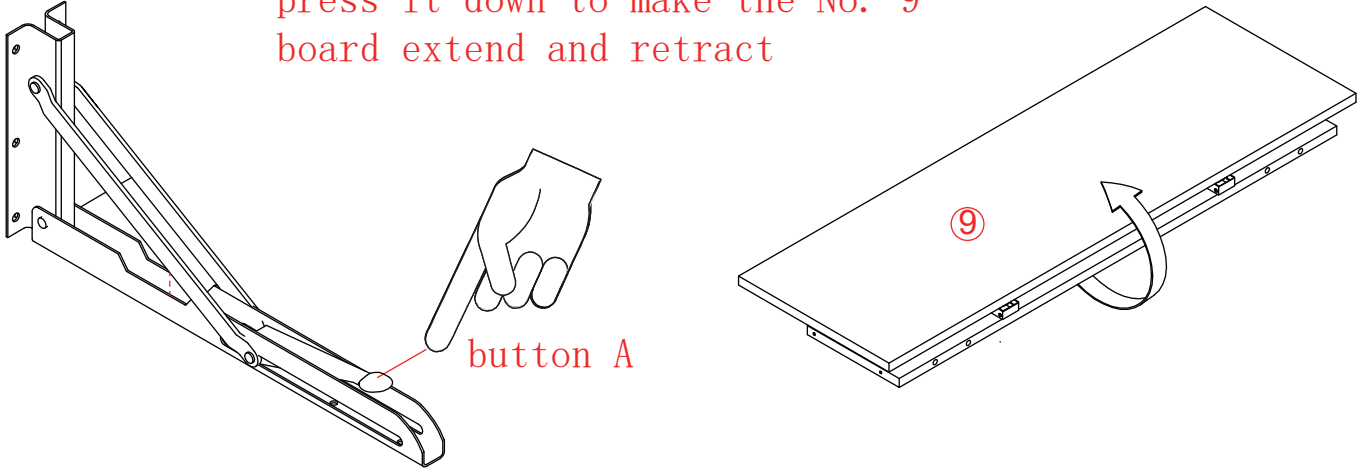


9

K2x6PCS
⑨x1PC

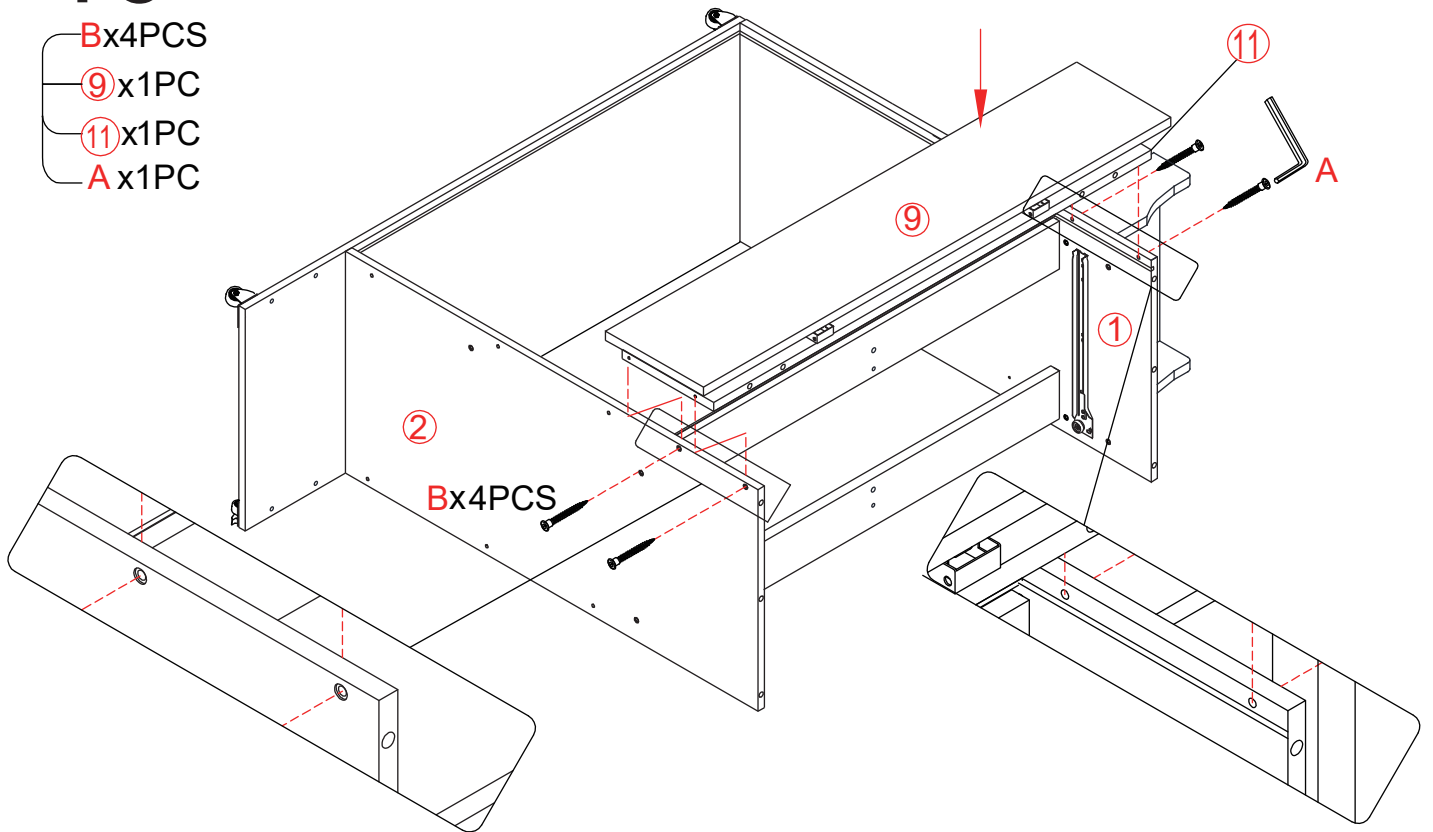


Note: 1. While holding down the A key, lift it up slightly, then press it down to make the No. 9 board extend and retract



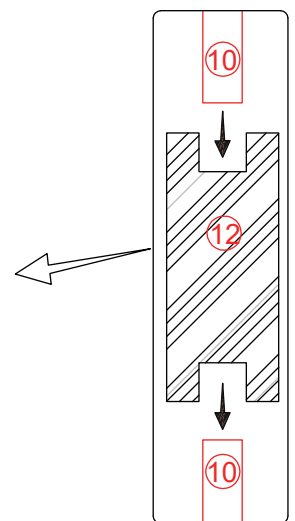
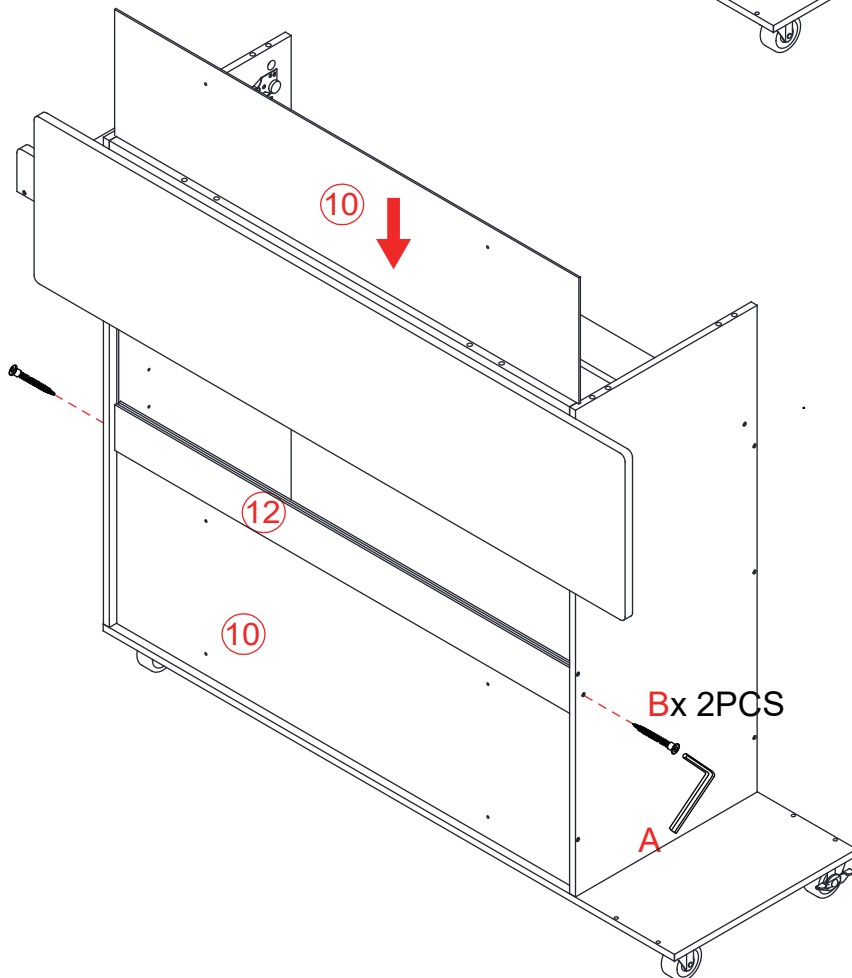
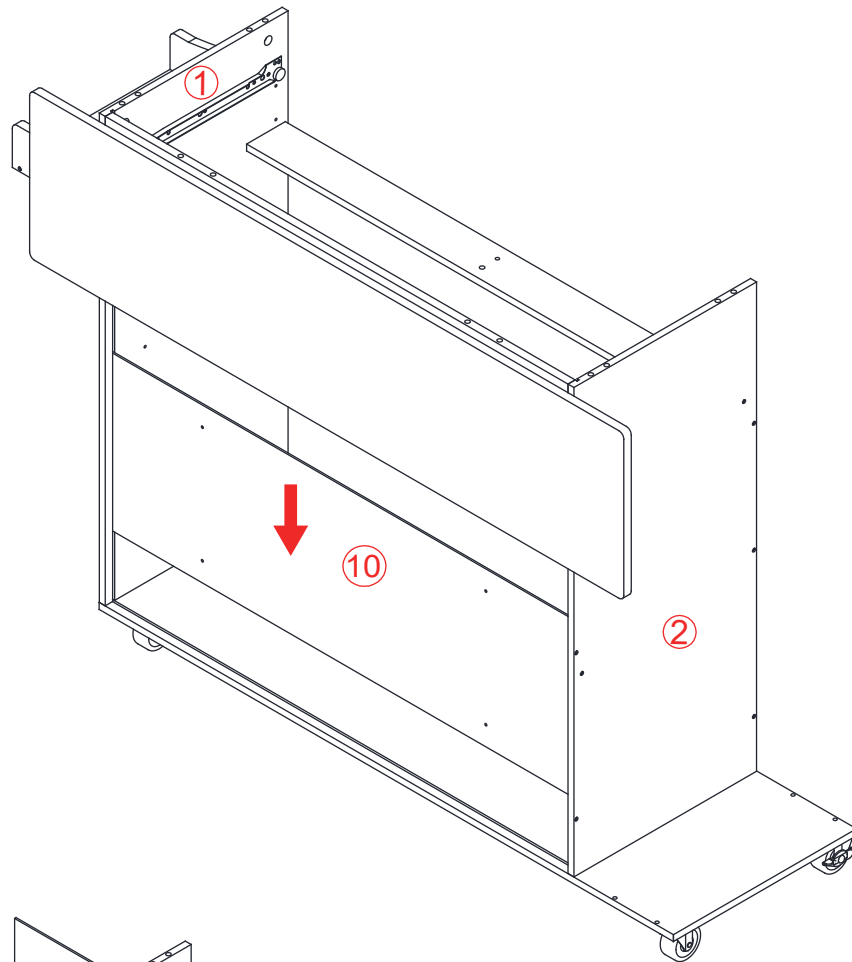
10

- Bx4PCS
- ⑨x1PC
- ⑪x1PC
- Ax1PC



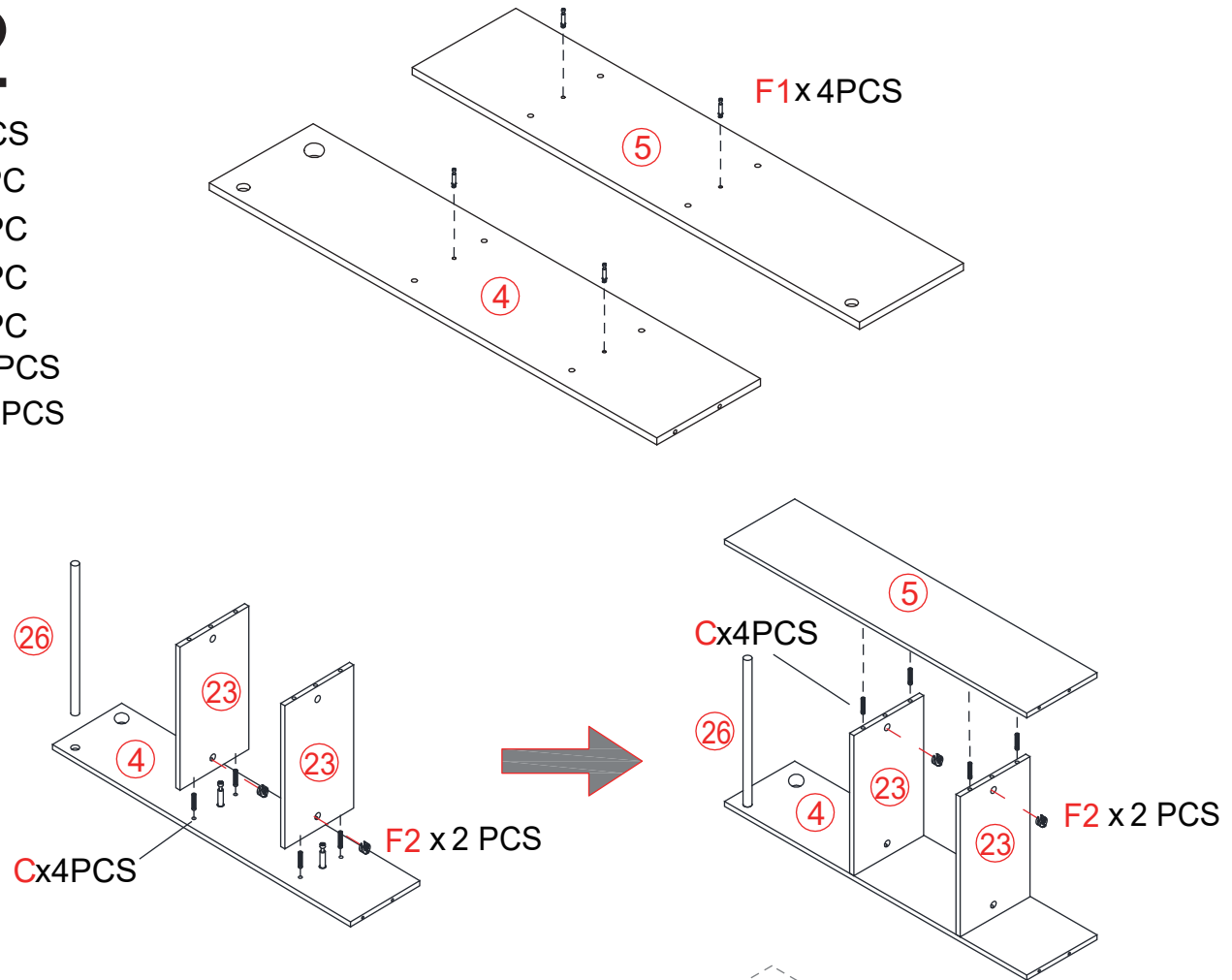
11

- Ax1PCS
- Bx2PCS
- ⑩x2PCS
- ⑫x1PC



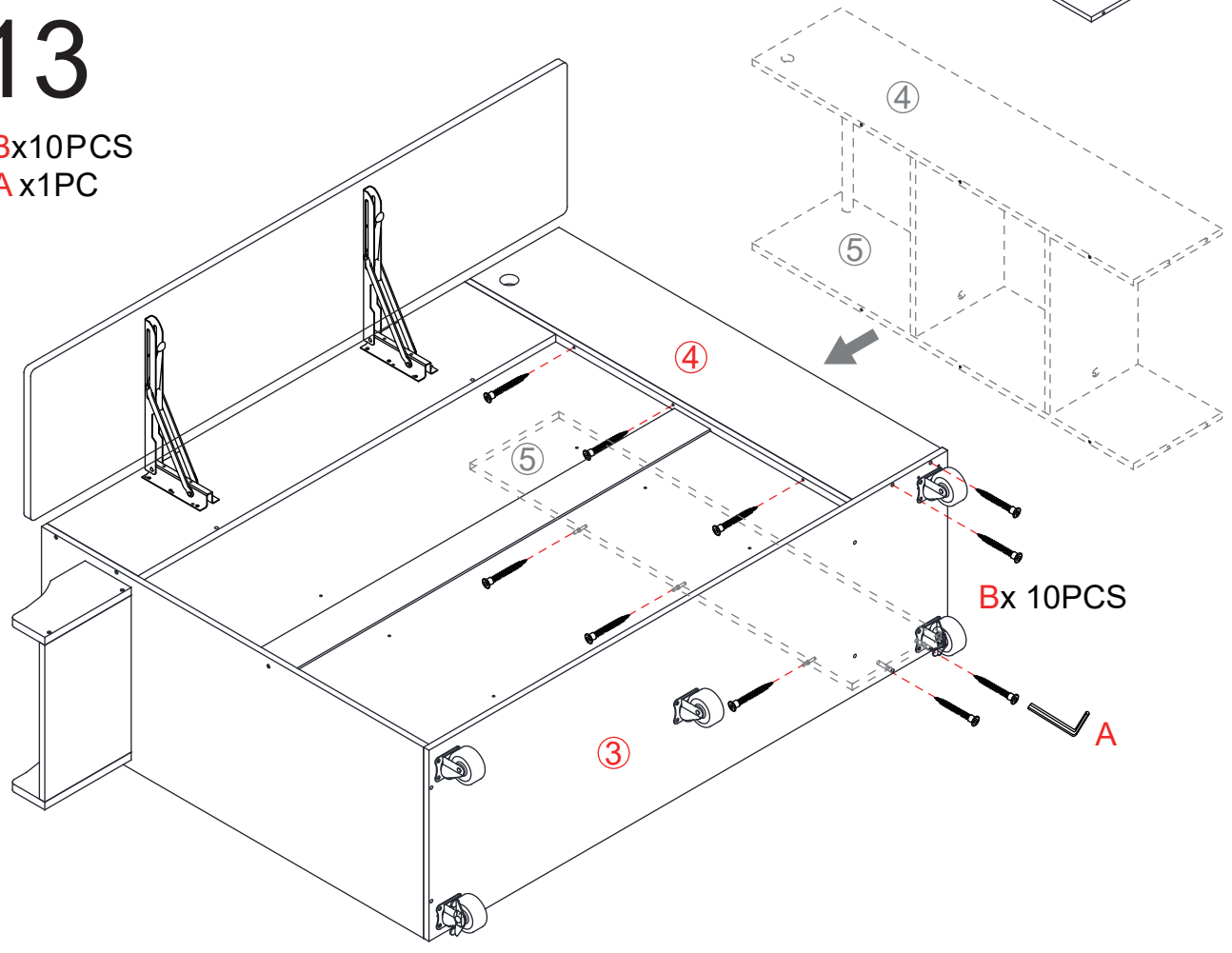
12

- Cx8PCS
- ⑤ x1PC
- ②⑥ x1PC
- ②③ x2PC
- ④ x1PC
- F1 x4PCS
- F2 x4 PCS



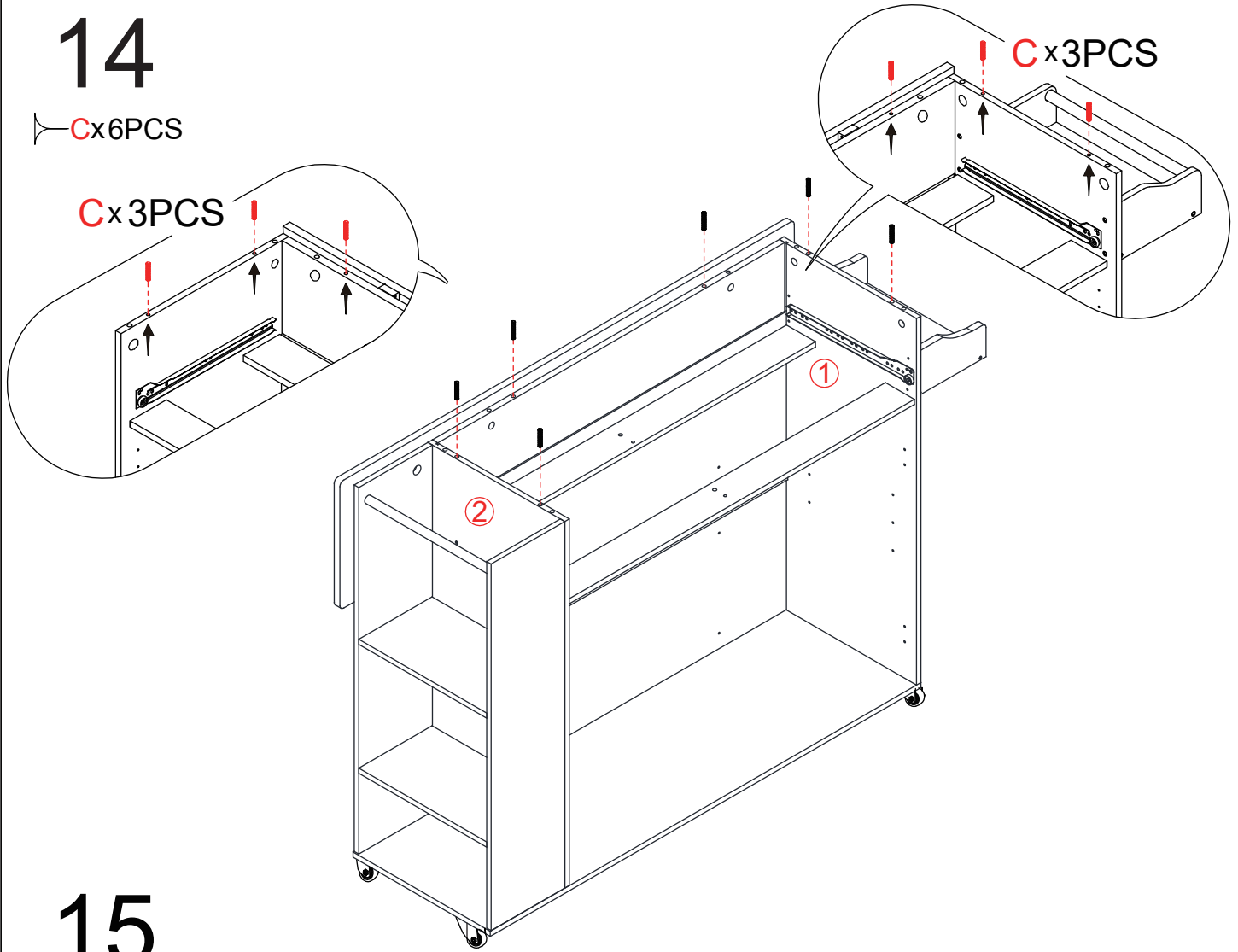
13

- Bx10PCS
- Ax1PC



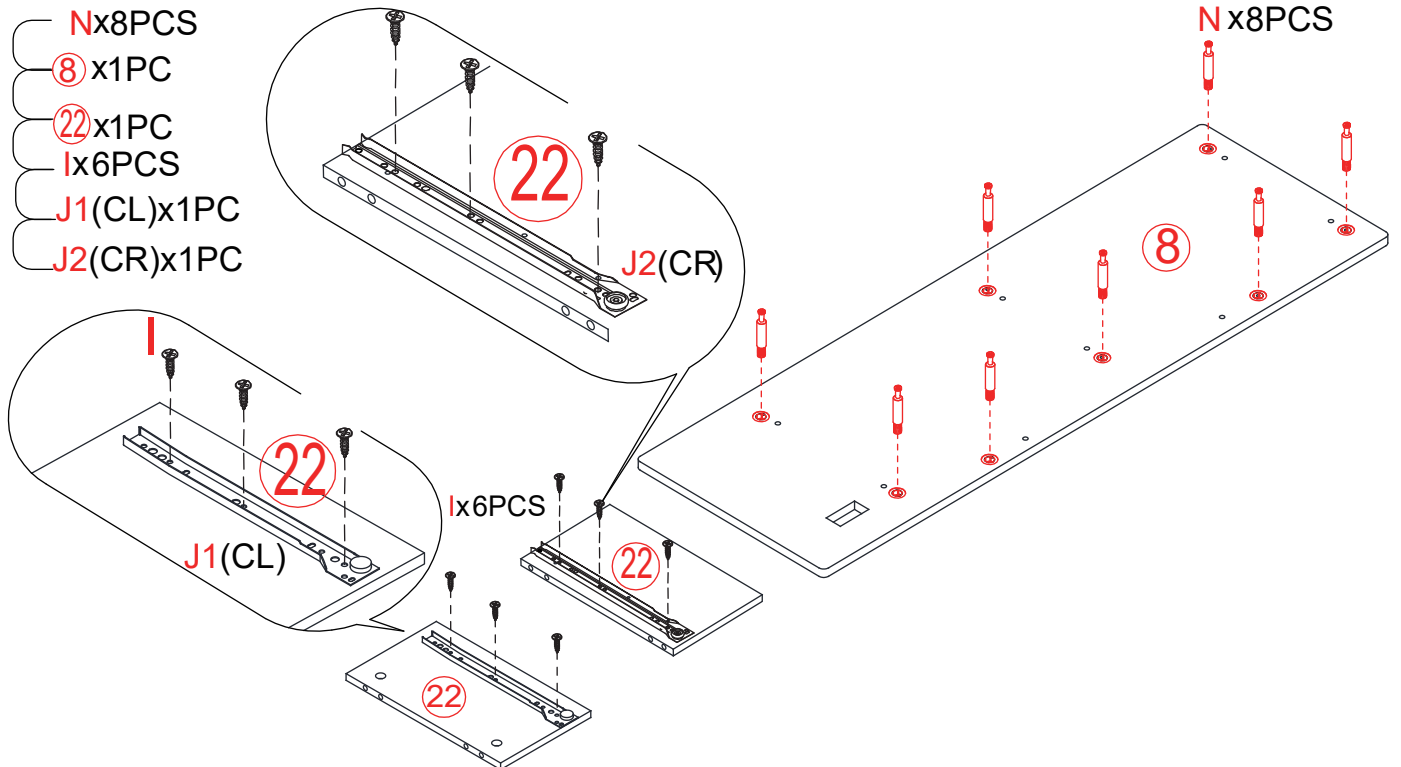
14

Cx6PCS



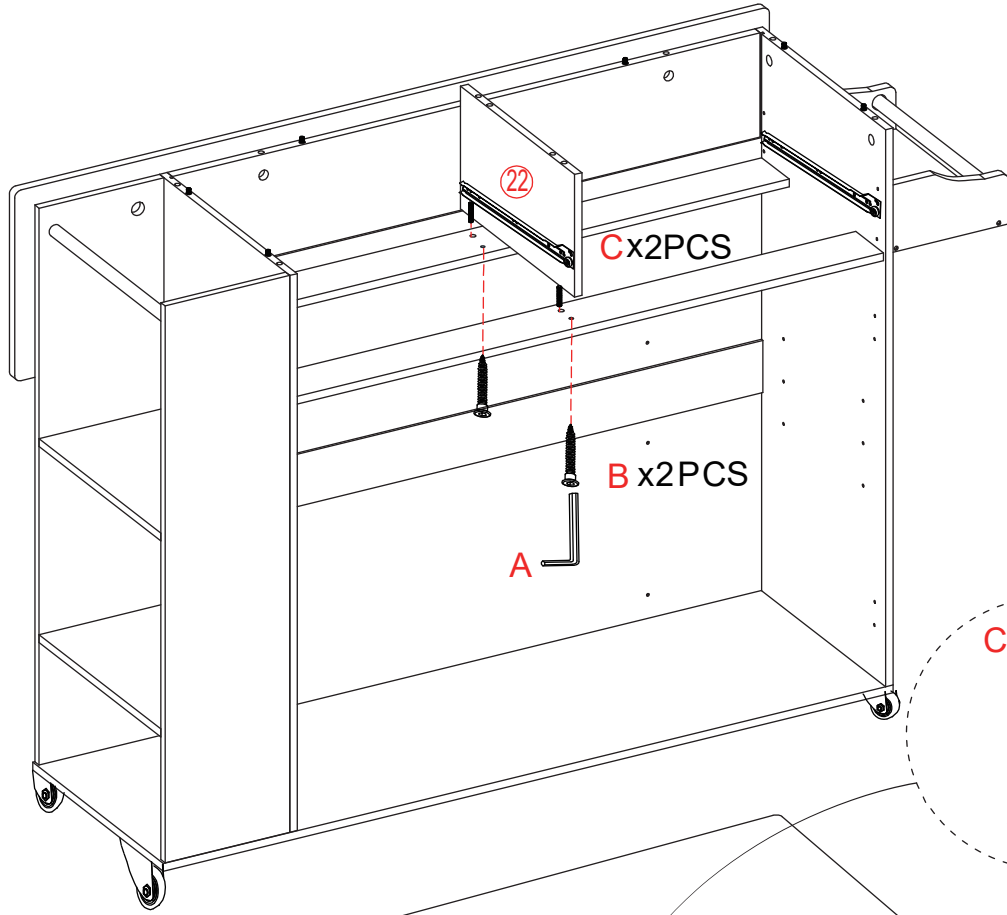
15

- Nx8PCS
- 8 x1PC
- 22 x1PC
- Ix6PCS
- J1(CL)x1PC
- J2(CR)x1PC



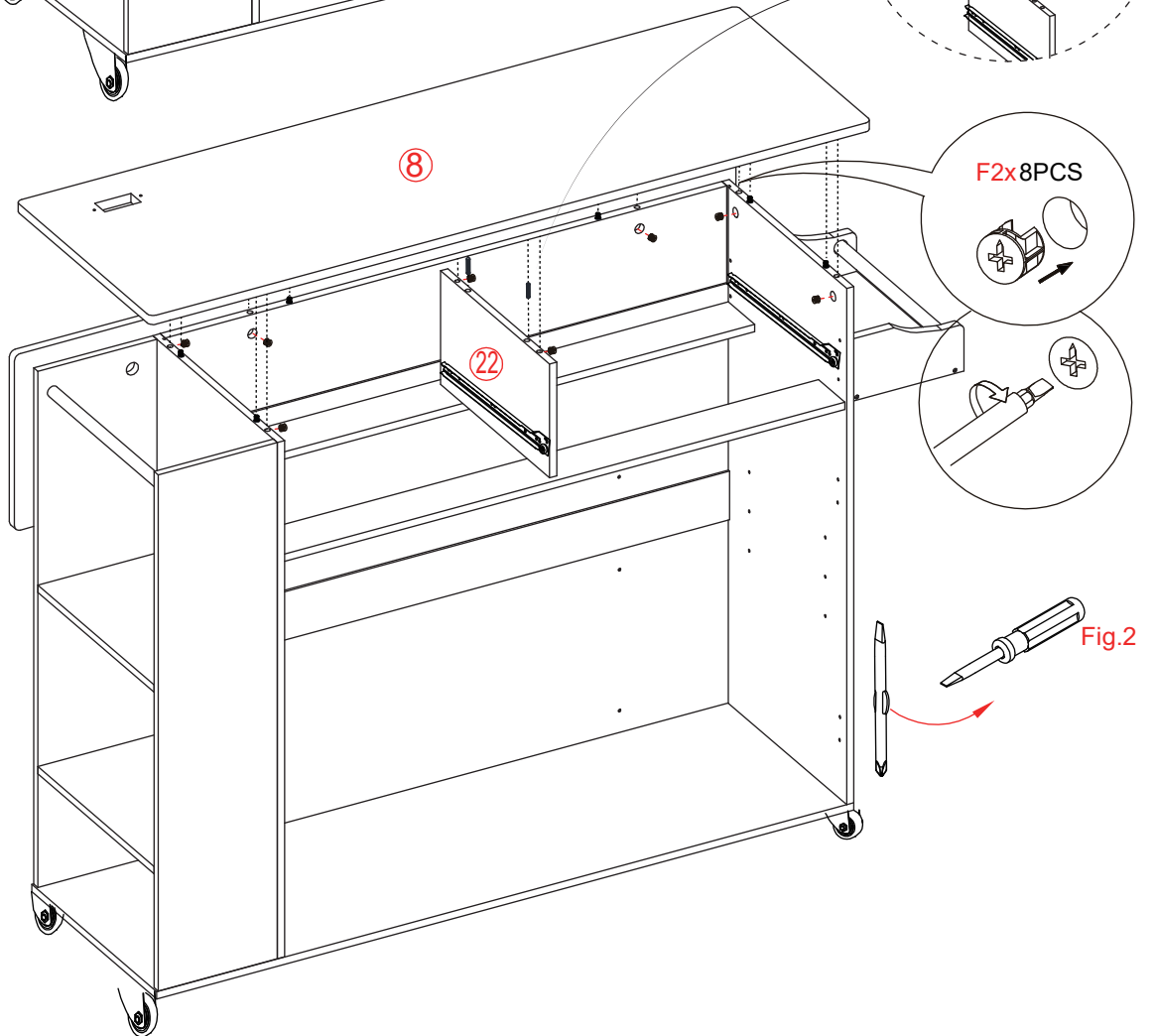
16

- Cx2PCS
- Bx2PCS
- 22x1PC
- Ax1PC



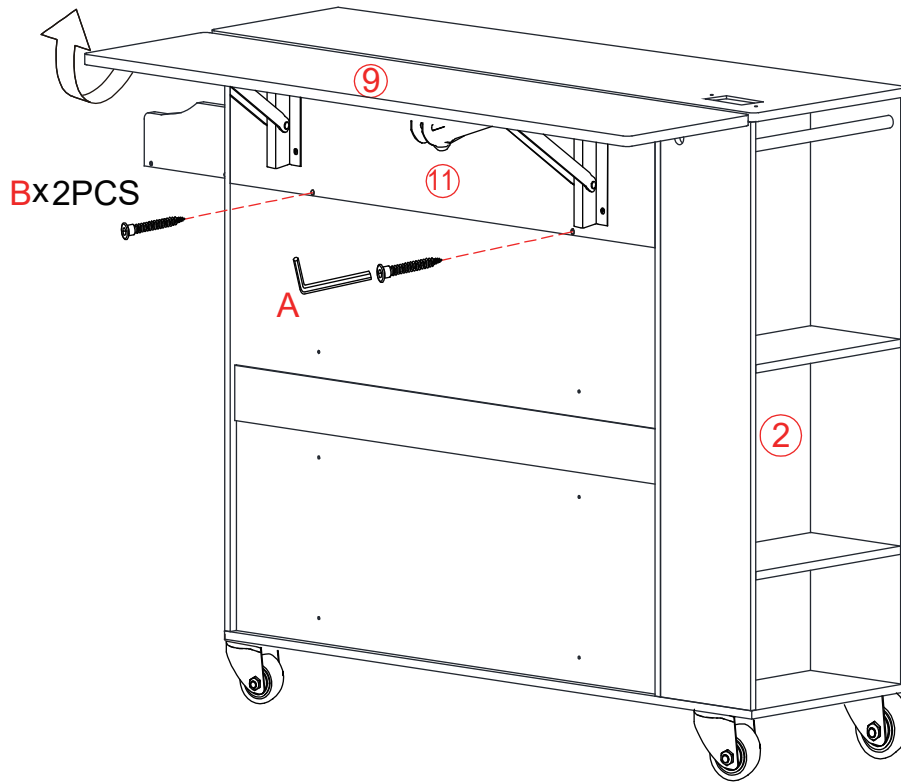
17

- Cx2PCS
- F2x8PCS
- 8x1PC



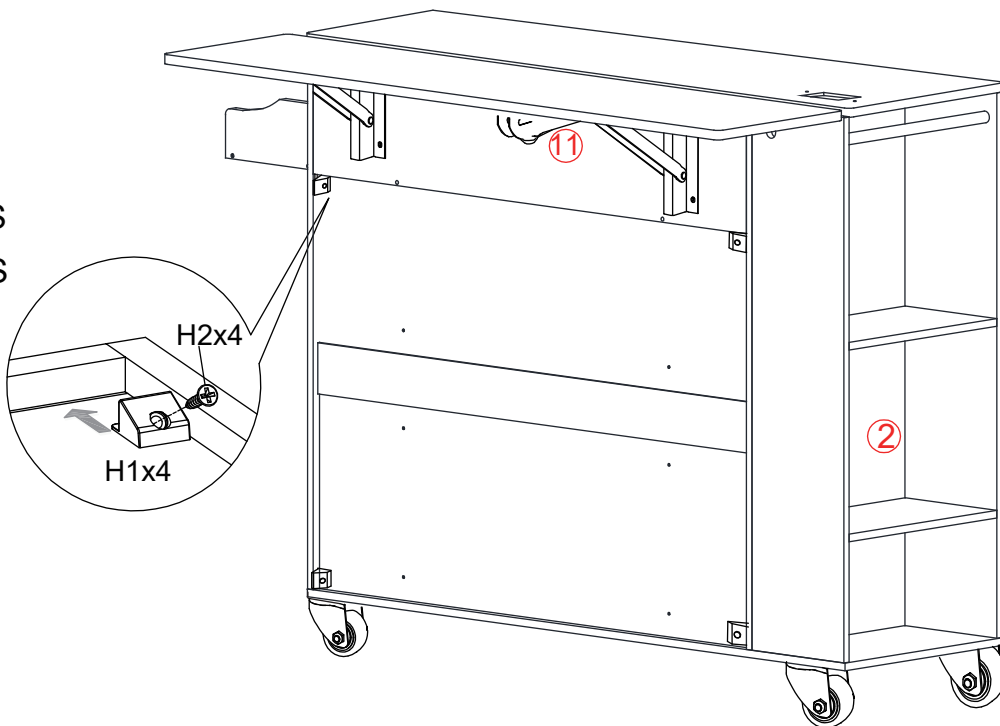
18

Bx2PCS
Ax1PC

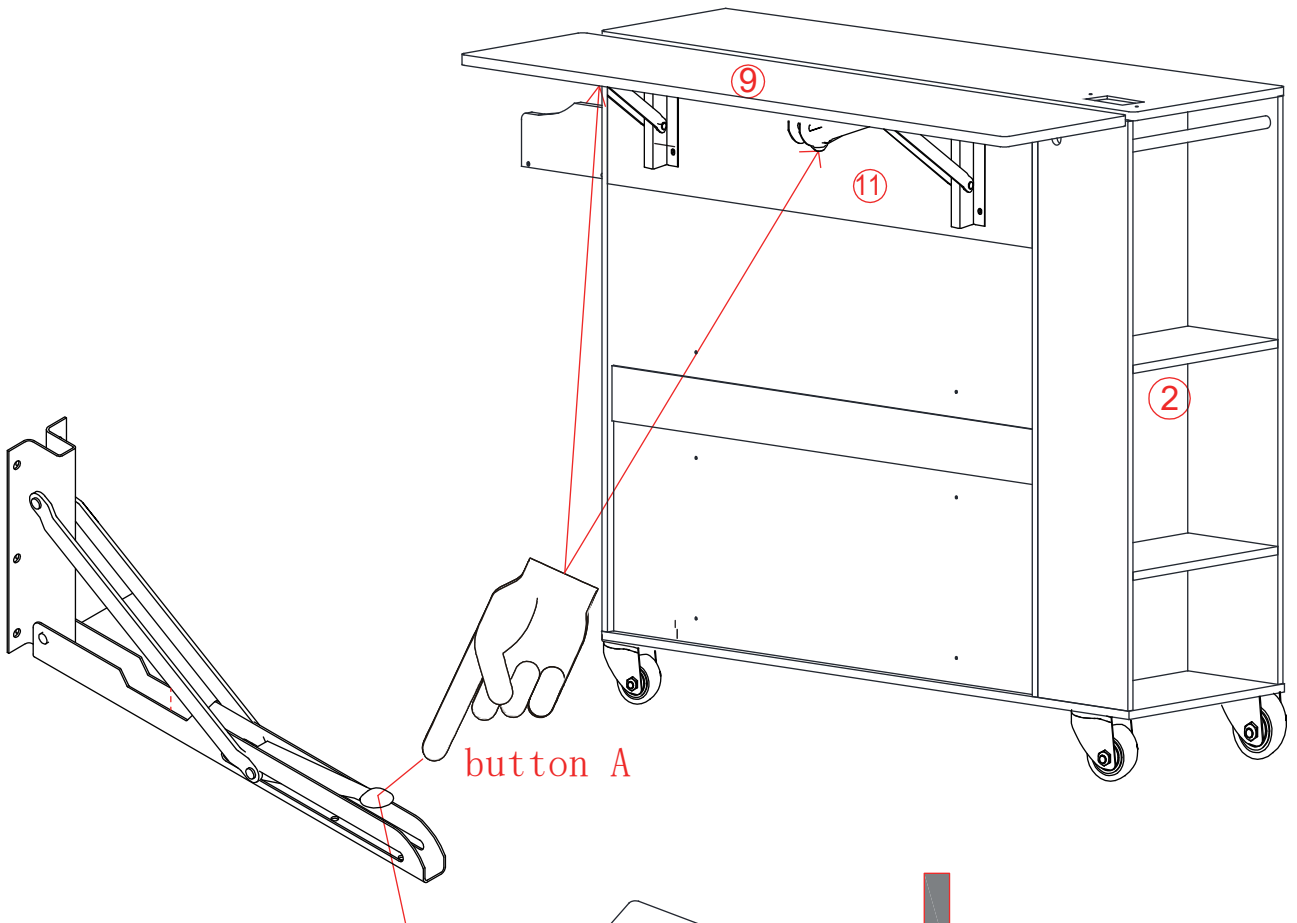


19

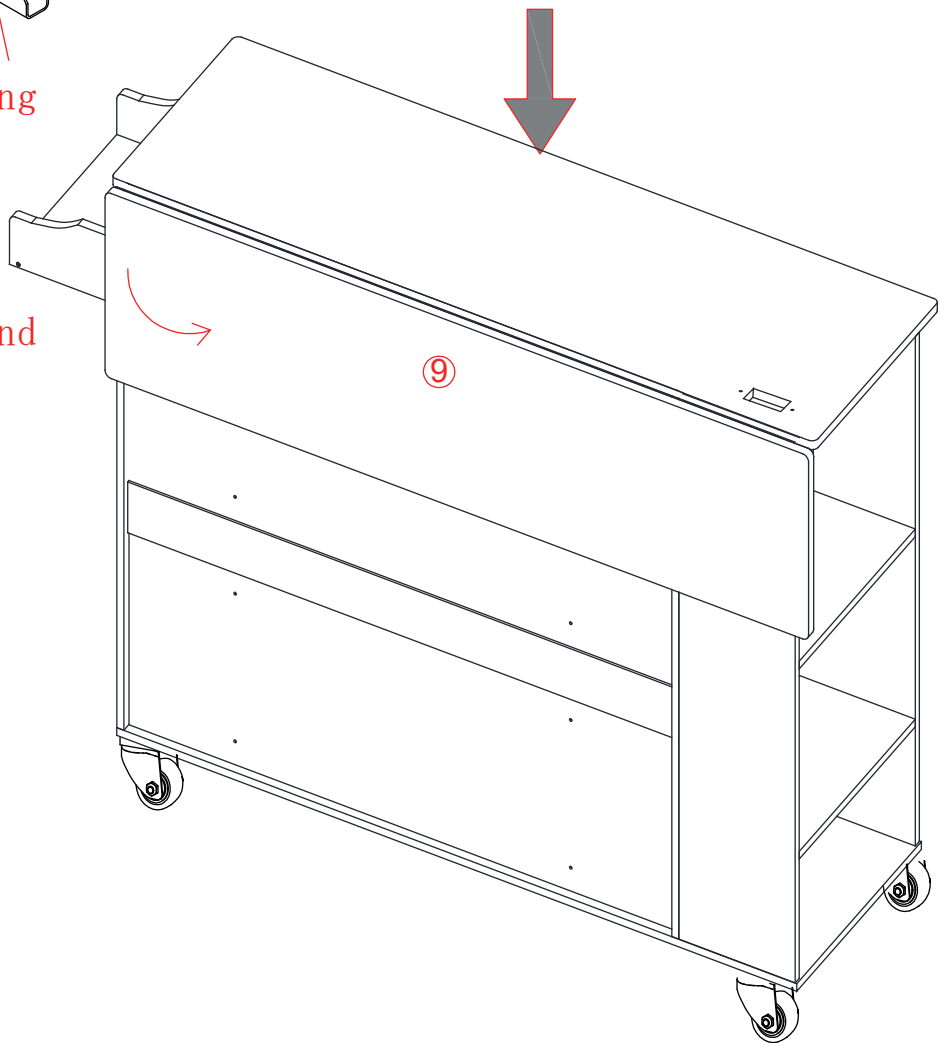
H1x4PCS
H2x4PCS



Note: First, insert the thin edges of the fitting "H1" into the four corners of the rear panel, then tighten them firmly with the screws "H2".

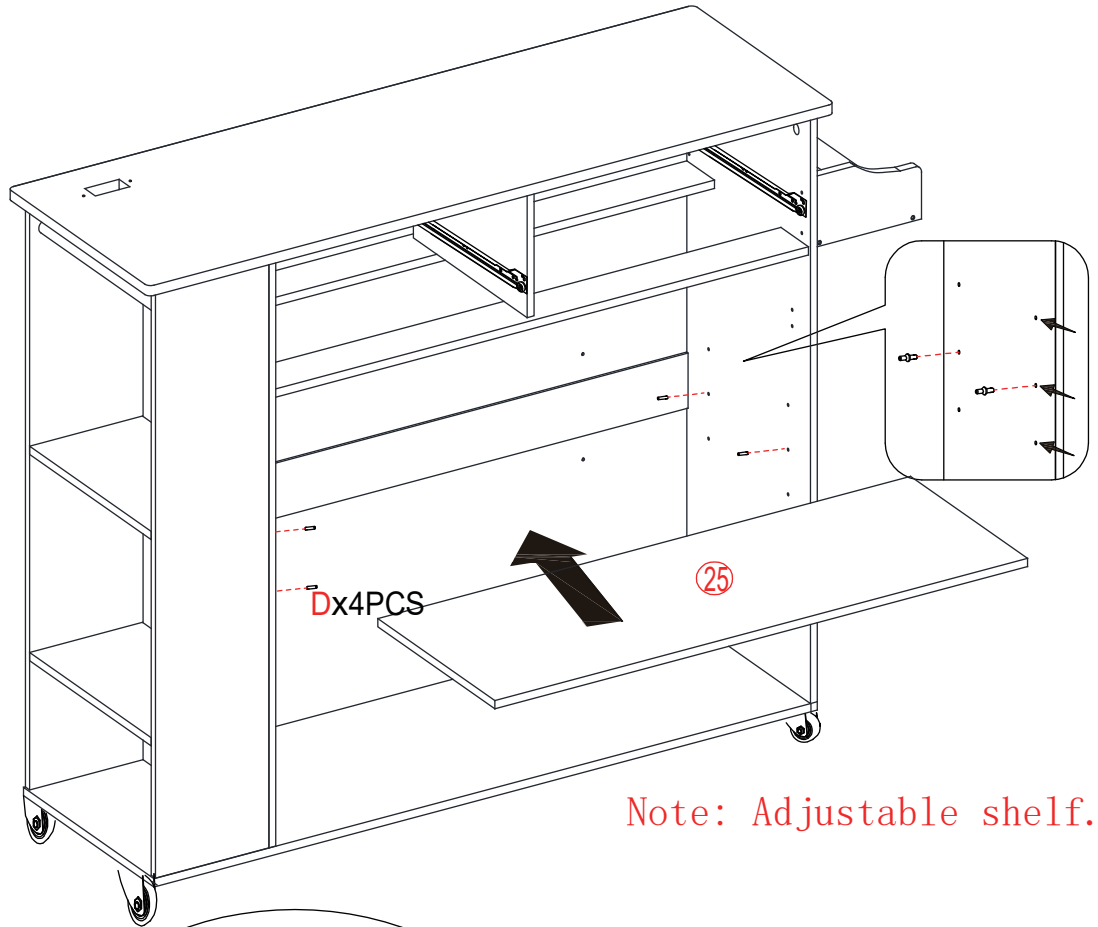


Note: 1. While holding down the A key, lift it up slightly, then press it down to make the No. 9 board extend and retract



20

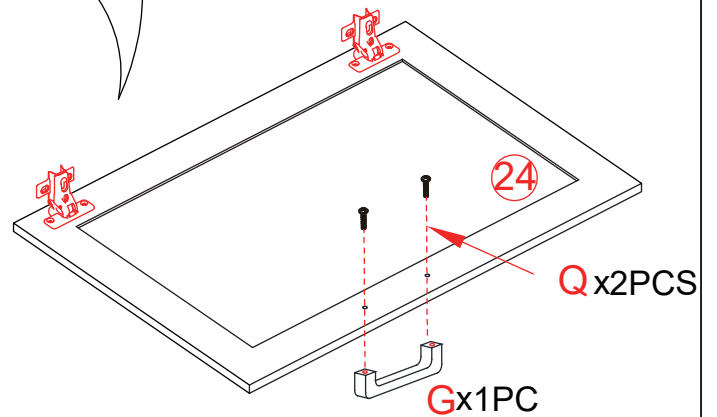
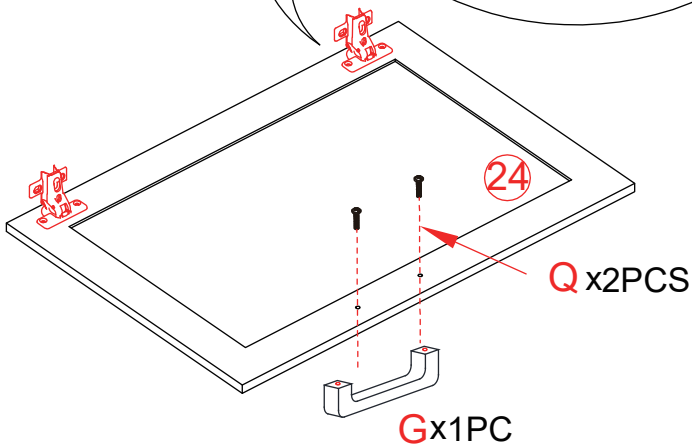
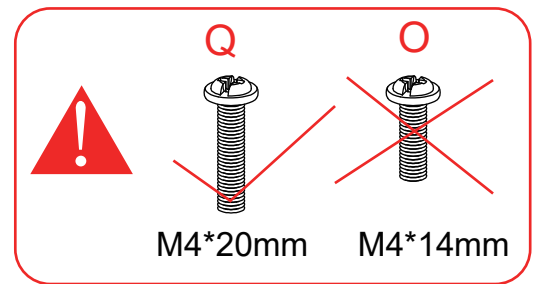
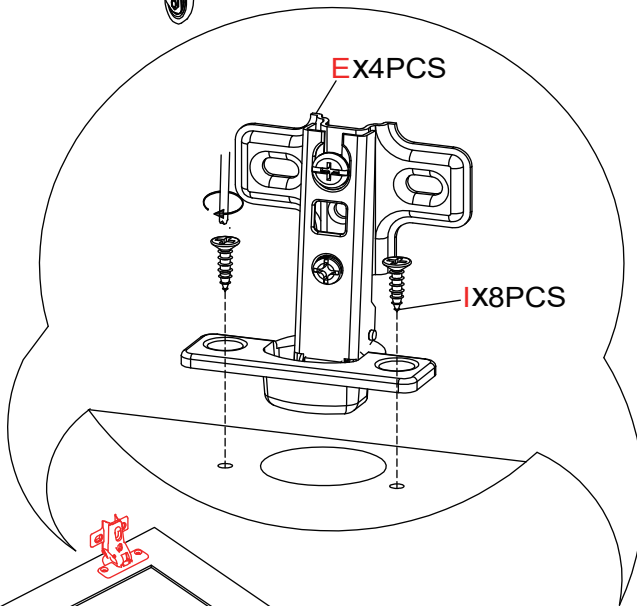
- Dx4PCS
- 25x1PC



Note: Adjustable shelf.

21

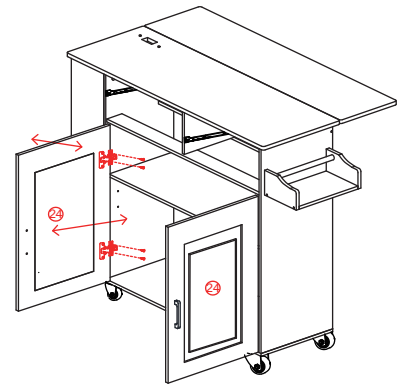
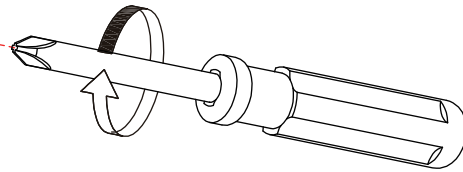
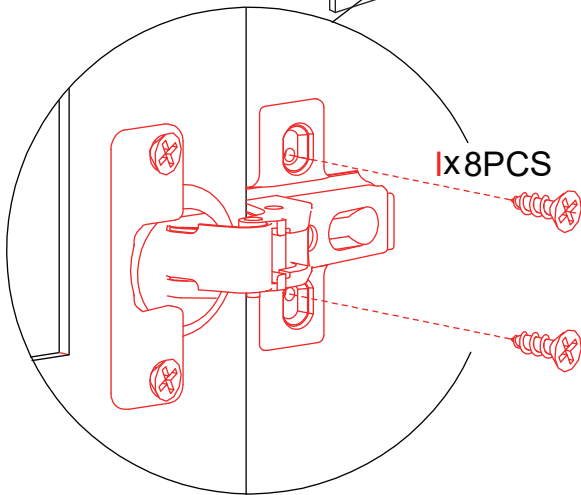
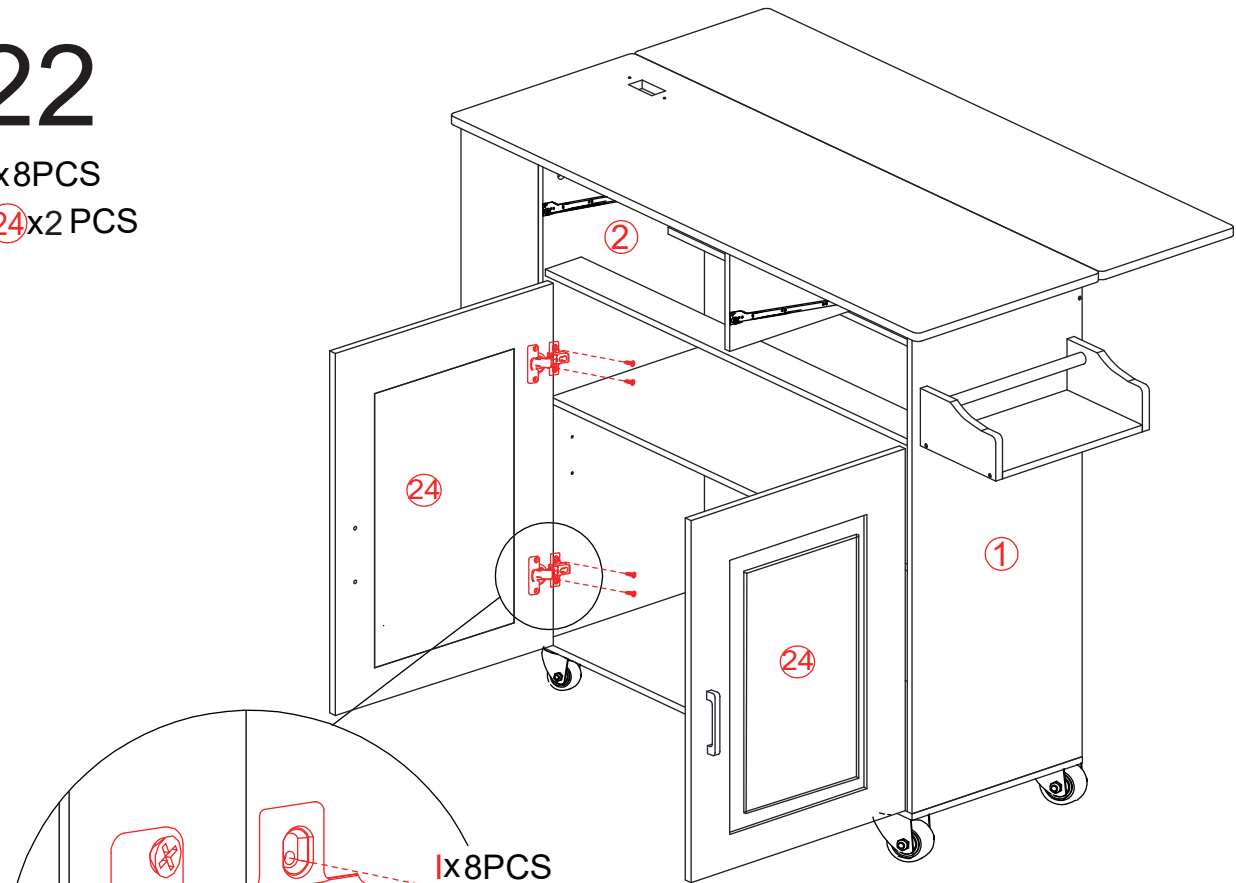
- Ex4PCS
- Ix8PCS
- Gx2PCS
- Qx4PCS
- 24x2PC



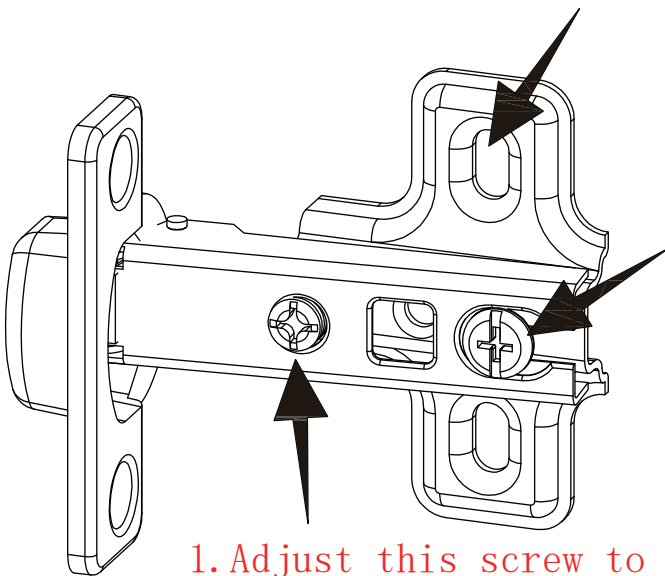
22

1x8PCS

24x2 PCS



3. Adjust this screw to make the door go up or down



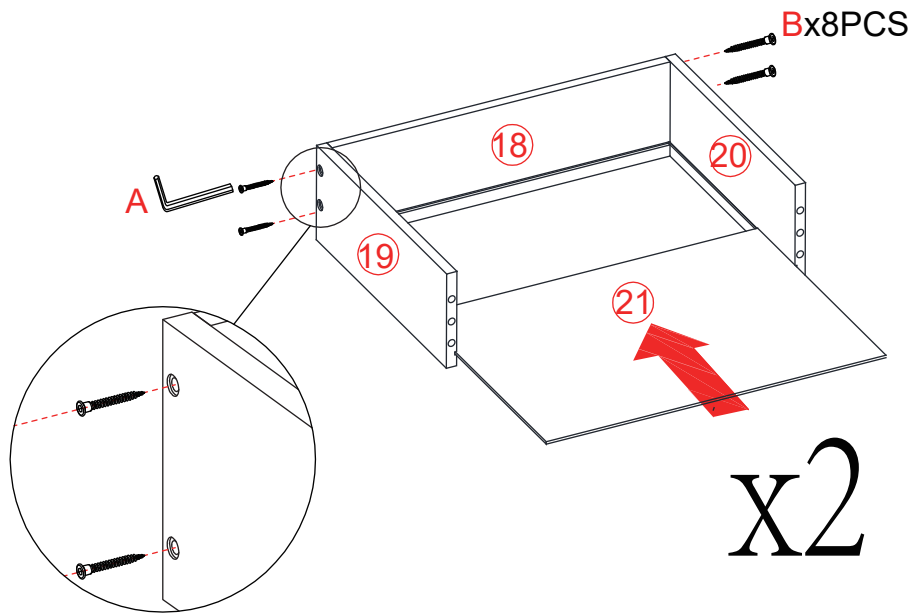
1. Adjust this screw to make the door turn left or right

the door forward or backward

Note: After the door panel is installed, if the gap of the door is too large or too small, you can adjust this screw to adjust the gap of the door.

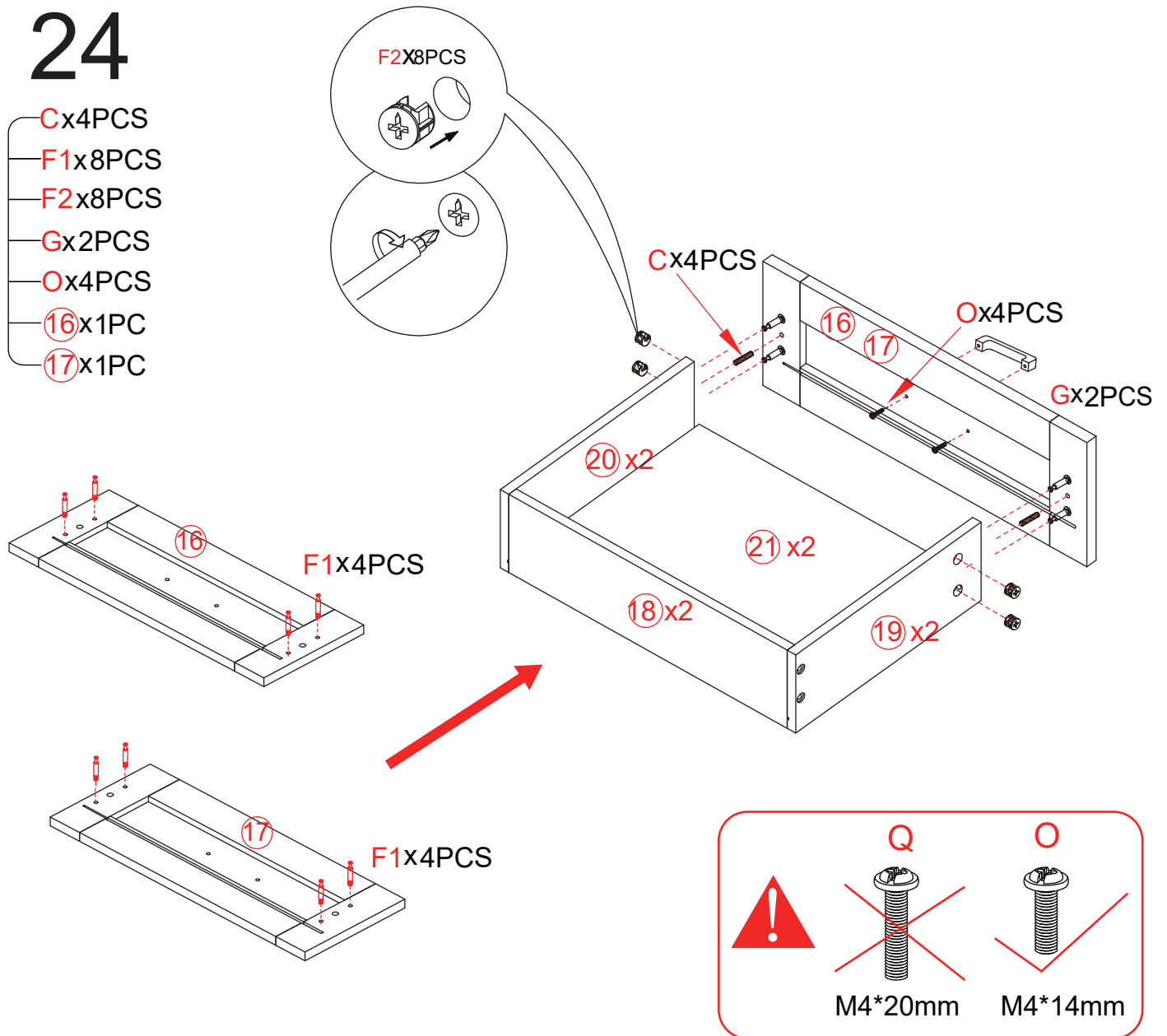
23

- Bx8PCS
- 18x2 PCS
- 19x2 PCS
- 20x2 PCS
- 21x2 PCS
- Ax1PC



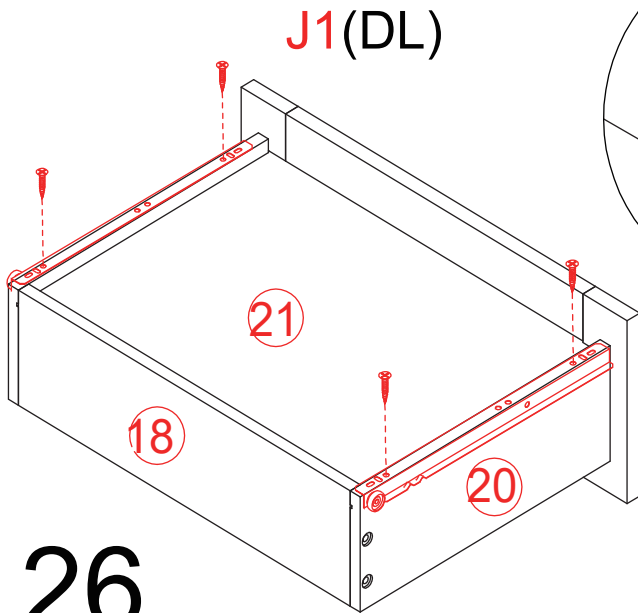
24

- Cx4PCS
- F1x8PCS
- F2x8PCS
- Gx2PCS
- Ox4PCS
- 16x1PC
- 17x1PC



25

- 1x8 PCS
- J1(DL)x2PC
- J2(DR)x2PC

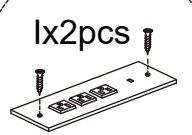
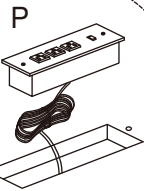
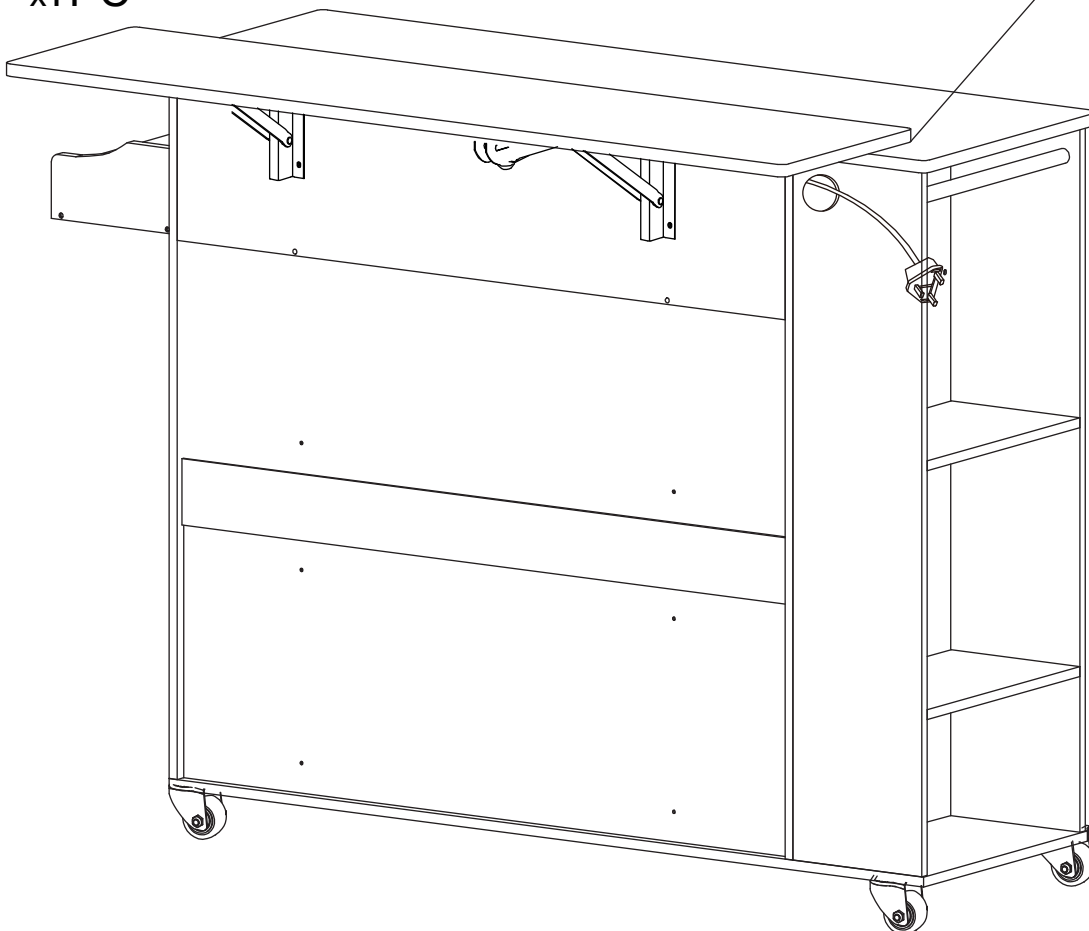


x2

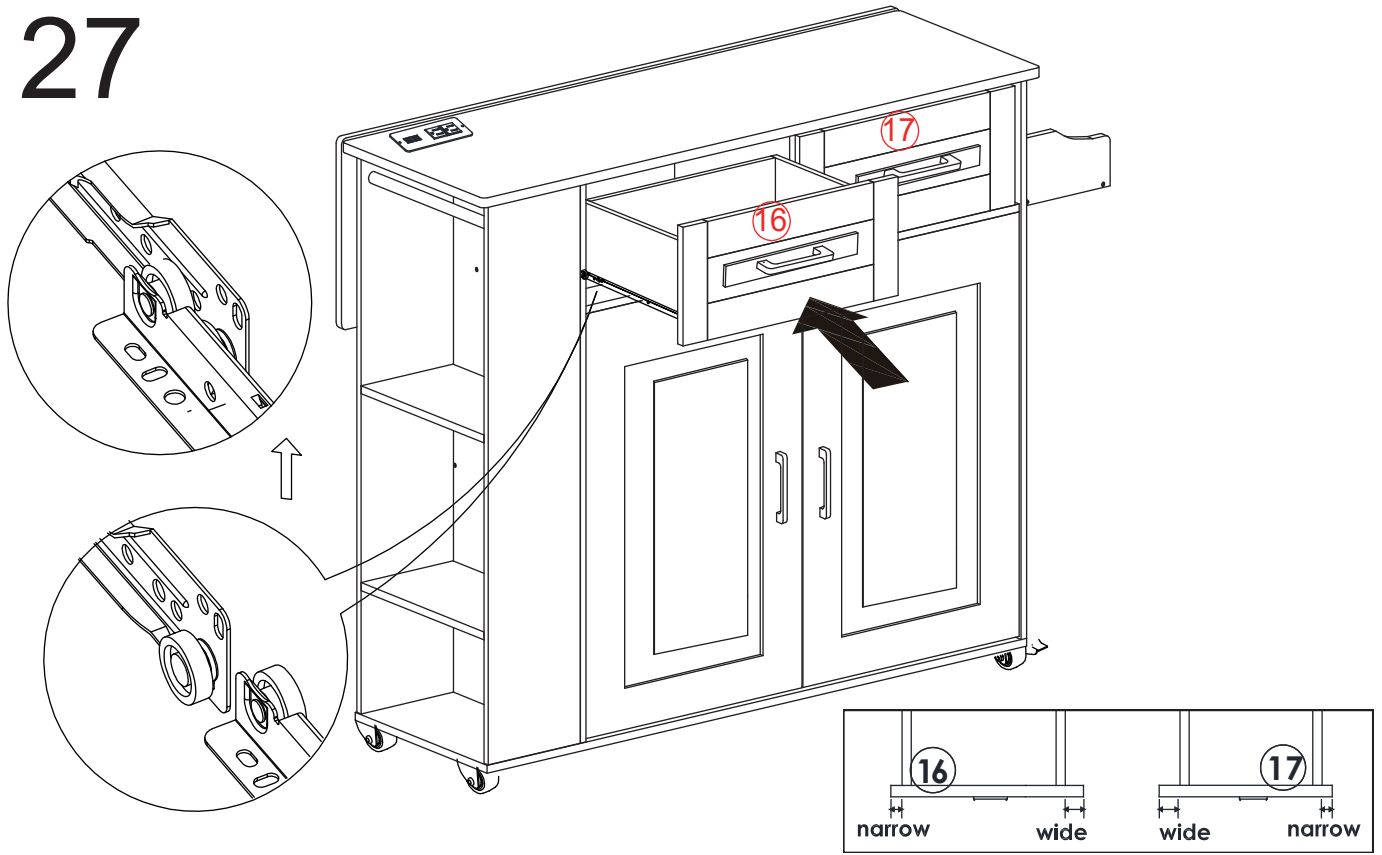
J2(DR)

26

- 1x2 PCS
- P x1PC



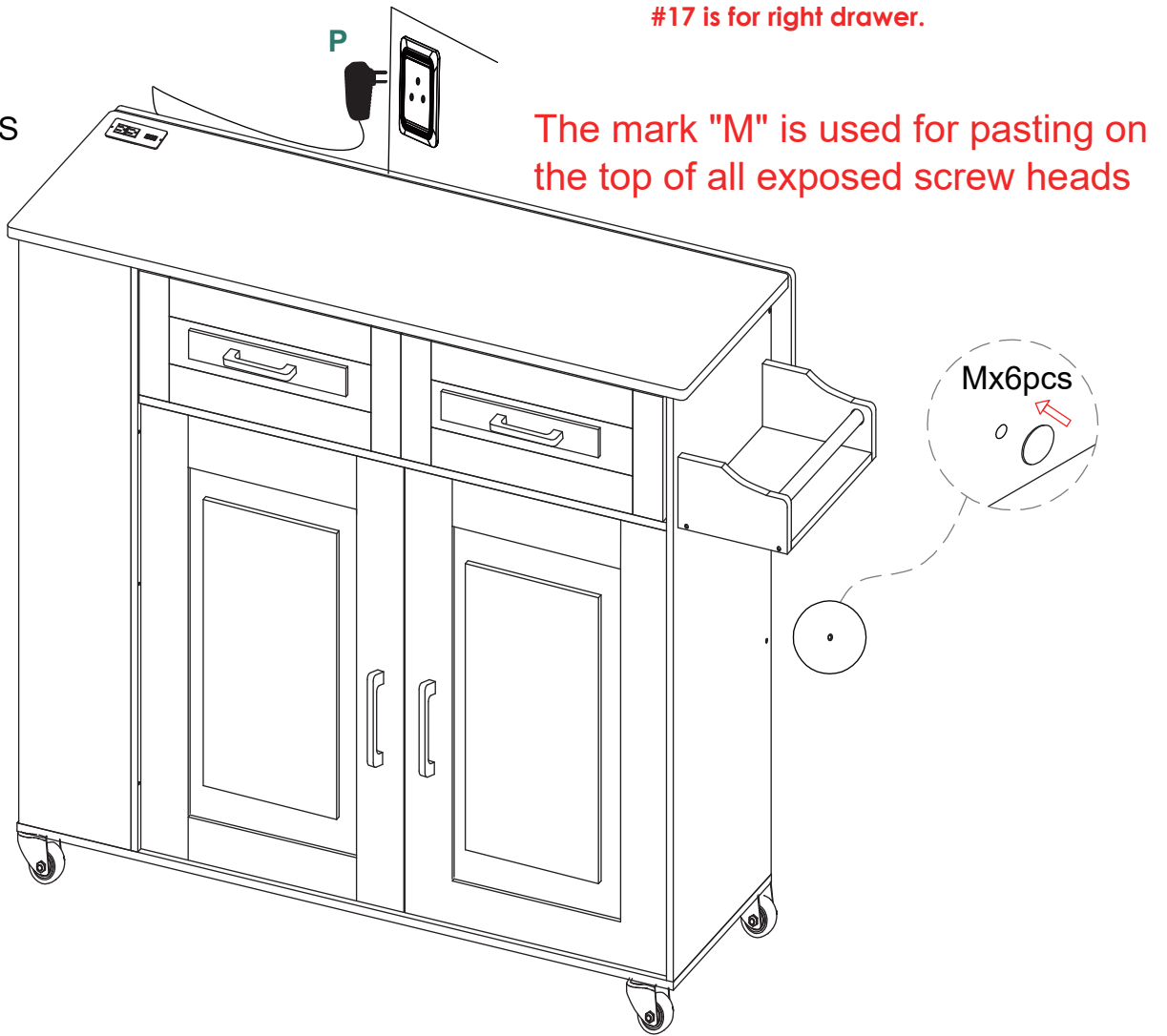
27



Make sure #16 is for left drawer and #17 is for right drawer.

28

Mx6PCS



The mark "M" is used for pasting on the top of all exposed screw heads