



Unpack and inspect contents for damage or missing parts before installing. Contact Customer Service at 1-866-746-9371 or info@outdoorshowerco.com if you need assistance.



DO NOT USE PIPE WRENCH, CHANNELLOCK WRENCH, OR PLUMBERS' PUTTY



SHOWER UNIT MUST BE WINTERIZED IN CLIMATES THAT FALL BELOW 32°F

Recommended Water Supply Height: 36-40" (adjust as needed to obtain the desired shower head height)

Recommended Shower Head Height: 78-82"

Valve Spread: 6"

Tools required: Level, Drill, Crescent wrench

Tools provided: Allen wrenches, Screws

1. Install 1/2" FPT hot & cold water lines flush with the wall roughly 6" apart. (Figure 1)
2. Attach supply arms to water lines using Teflon tape ensuring they are correct distance apart and level. Use the measuring plate as a guide. Additional Teflon tape may be needed to obtain the correct spread. (Figure 1)
3. FLUSH SUPPLY LINES BEFORE PROCEEDING. Debris in water line can cause valves to malfunction.
4. Attach valve flanges to the supply arms with open side facing the wall. Tighten until flush with the wall.
5. Attach valve body to the supply arms using rubber washers provided. Tighten with crescent wrench.
6. Attach diverter using rubber washer provided. Tighten by hand.
7. Using the Allen wrench provided, loosen the set screw on the riser bracket and release the wall support. Using the support as a guide, drill 2 holes recommended distance of 30-35" from valve body. (Figure 2) Riser bracket can be adjusted vertically along the riser as needed by loosening the set screw. Tighten once done.
8. Attach wall support using the screws provided and slide the bracket flange against the wall. (Figure 2)
9. Attach riser to top of diverter using rubber washer provided. Tighten by hand.
10. Slide the riser bracket onto the wall support and tighten set screw using the Allen wrench.
11. FLUSH WATER THROUGH SHOWER BEFORE ATTACHING SHOWER HEAD.
12. Attach swivel ball joint to the shower head (if needed) and then to the riser using any gaskets/washers provided.
13. Assemble hand spray & hose (if needed) and attach to the diverter using washers provided. Place hand spray in holder.
14. Ensure all connections are tightened once installation is complete using a crescent wrench.
15. Turn on water and test each function ensuring adequate water flow and temperature.

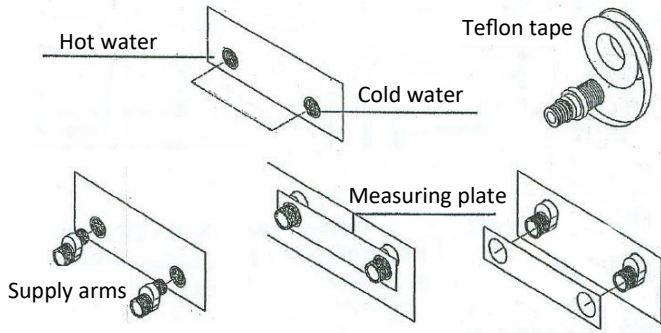


Figure 1

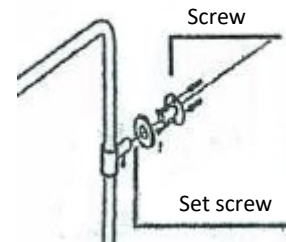
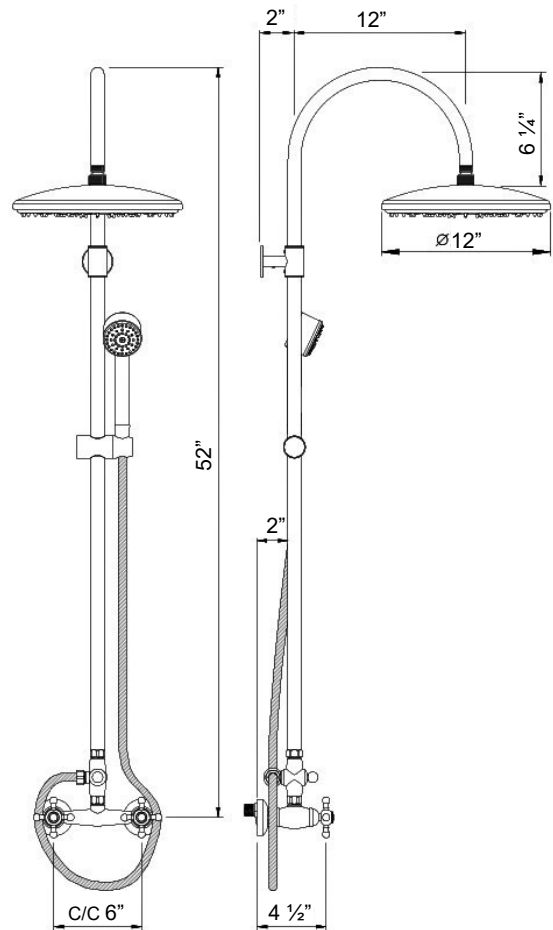


Figure 2

SPECIFICATION



- 304 STAINLESS STEEL—SATIN FINISH
- HOT & COLD VALVE WITH 6" SPREAD
- 12" SHOWER HEAD WITH SWIVEL BALL JOINT
- INSTALLATION HARDWARE INCLUDED

- 2 1/2" DIA. HAND SPRAY HEAD
- 60" STAINLESS STEEL BRAIDED HOSE
- ADJUSTABLE HAND SPRAY HEIGHT
- 1/2" ACCESSORIES & WATER SUPPLY CONNECTIONS