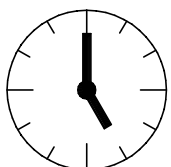
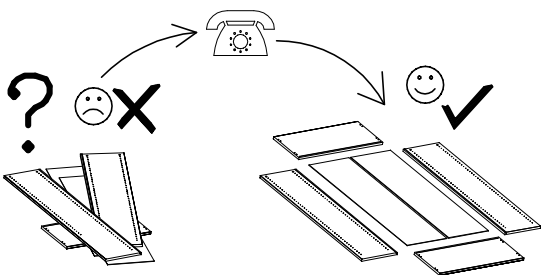
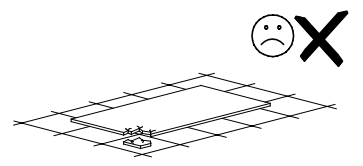
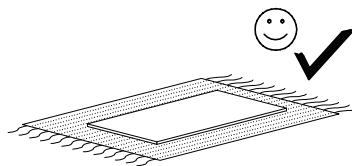
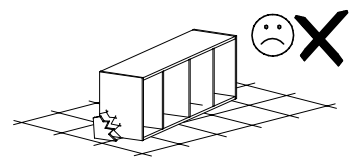
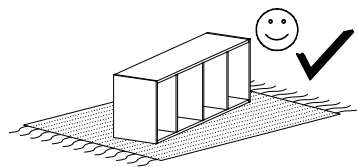
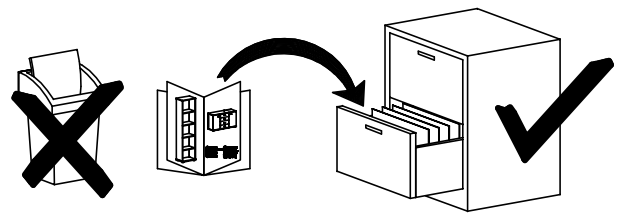
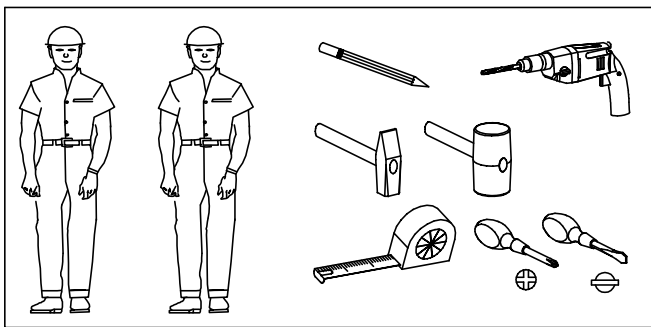
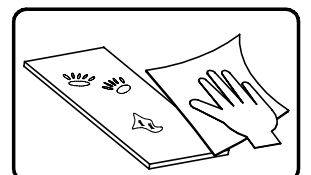
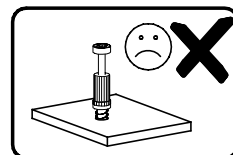
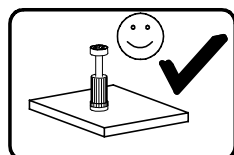
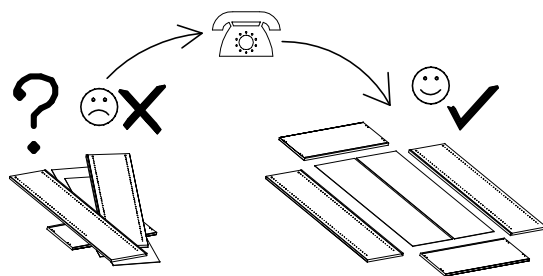
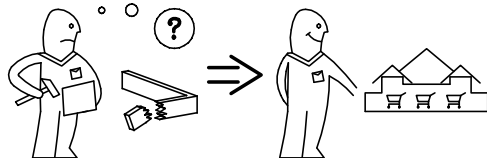
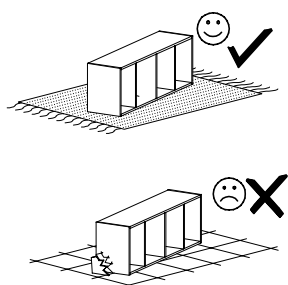


PUSH

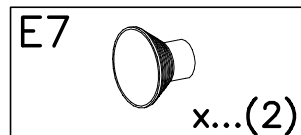


1,5h

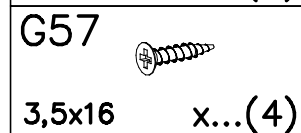
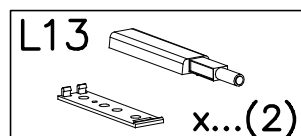
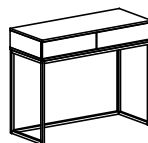




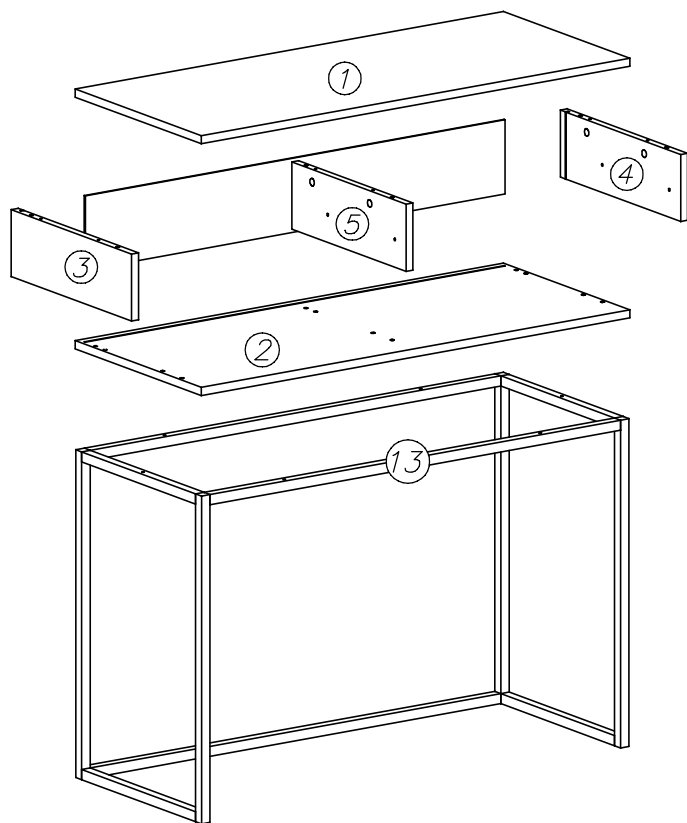
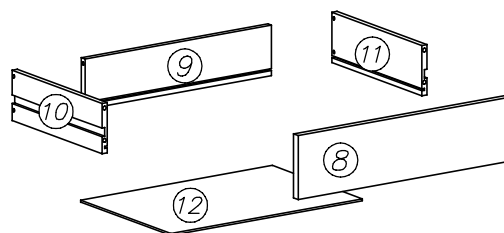
OPCJA A


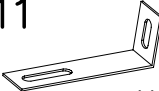
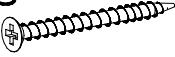
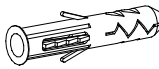


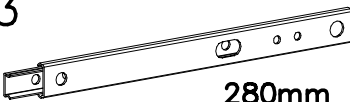


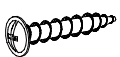

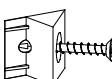

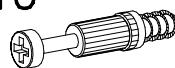

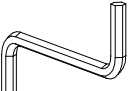




OPCJA B

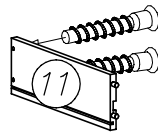
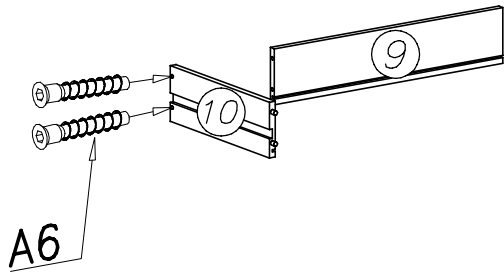


PUSH

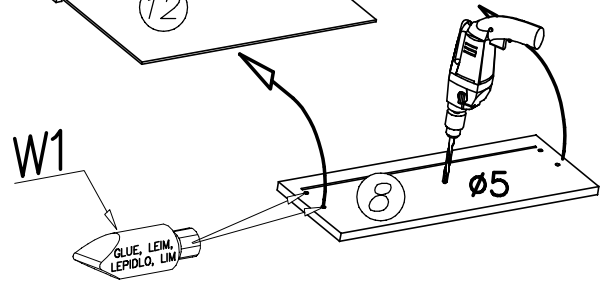
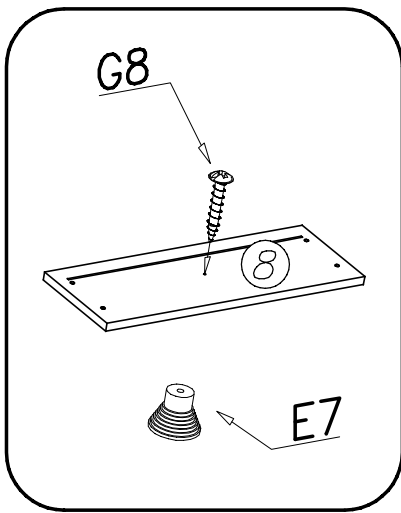
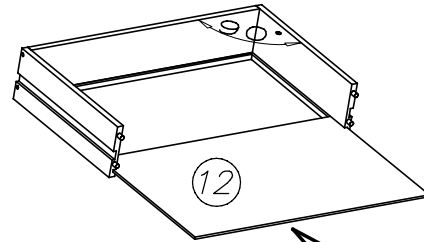
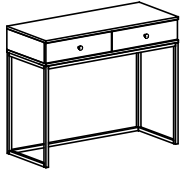


	G34  3,5x16 x...(2)	M11  x...(1)	G28  4x60 x...(1)	U6  ø8x40 x...(1)
I22  x...(4)	G49  6x20 x...(4)	H3  280mm x...(4)	G50  6x13 x...(4)	
K1  ø15x12 x...(6)	G8  4x30 x...(8)	N1  M4x9 x...(4)	I1  x...(4)	W1  GLUE, LEIM, LEPIDLO, LIM x...(1)
K10  x...(6)	B1  ø8x35 x...(20)	W2  x...(1)	A6  ø7x40 x...(8)	A1  ø7x50 x...(6)

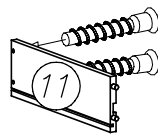
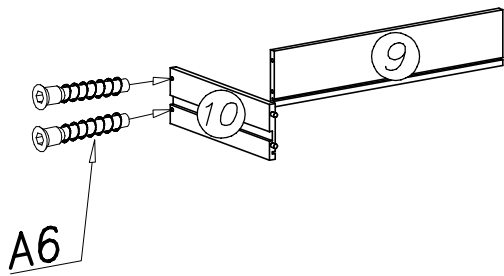
I



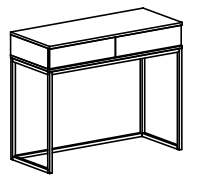
OPCJA A



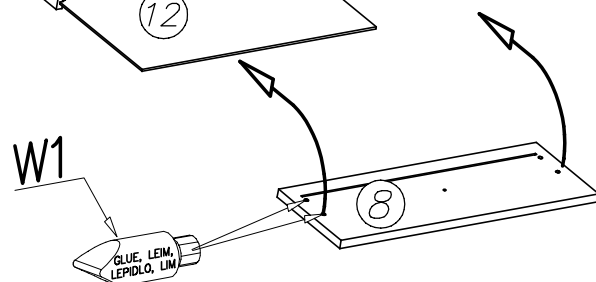
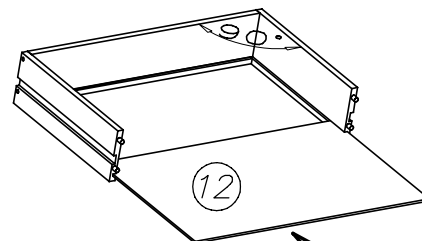
II



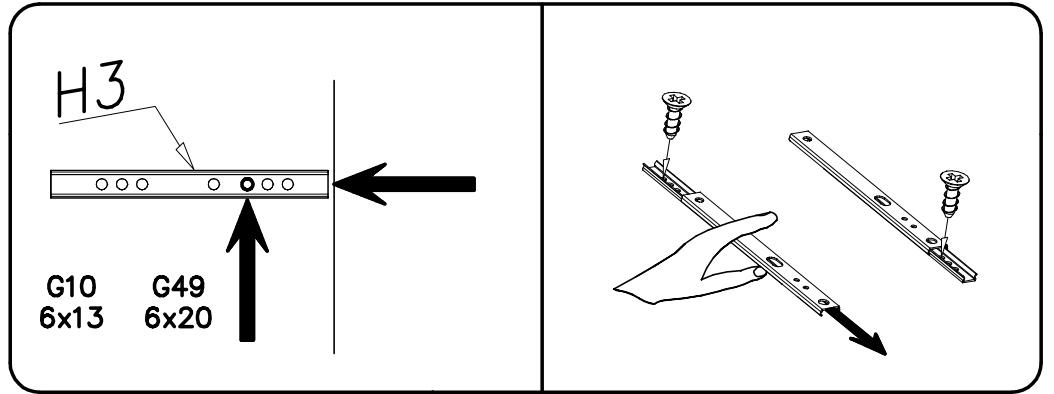
OPCJA B



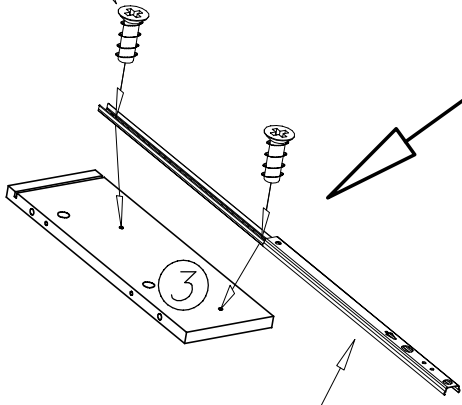
PUSH



III

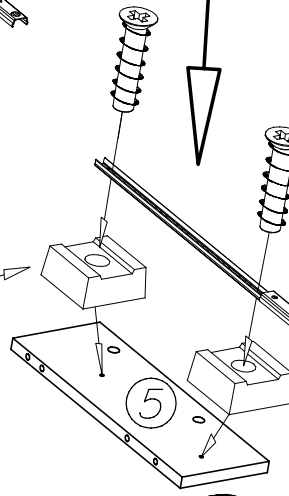


G10



H3

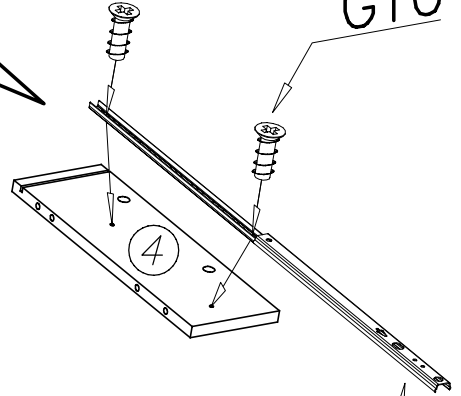
I22



G49

H3

G10

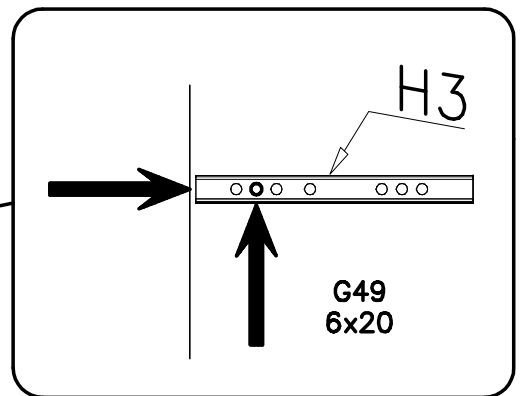
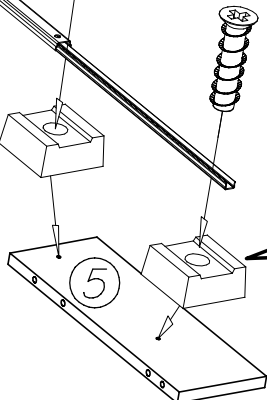


H3

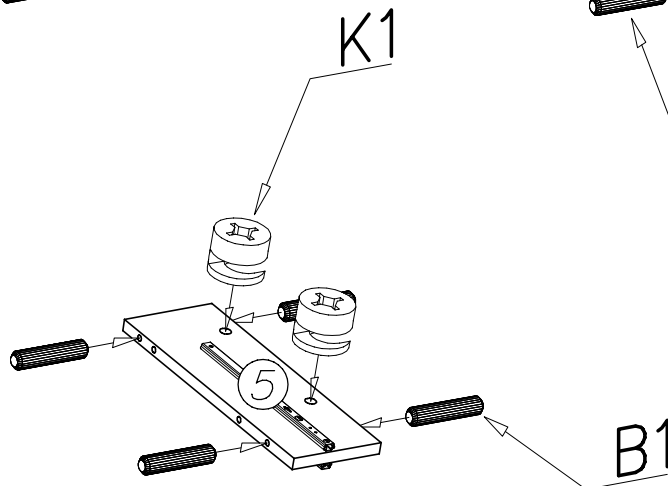
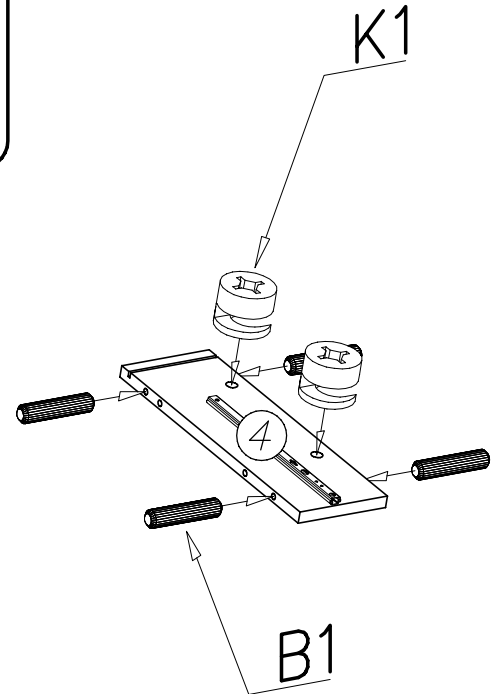
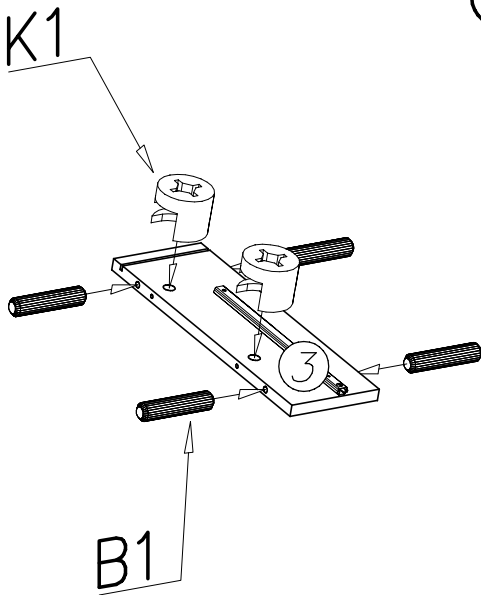
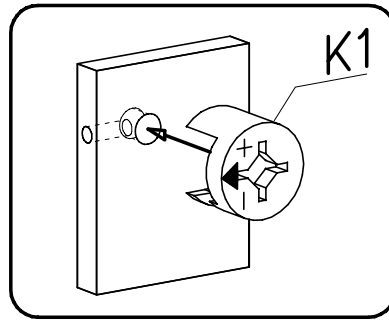
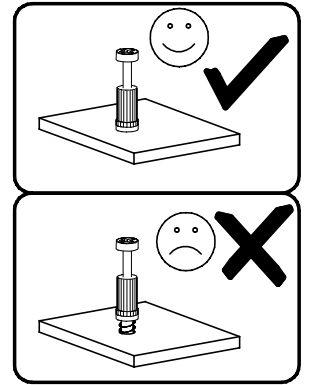
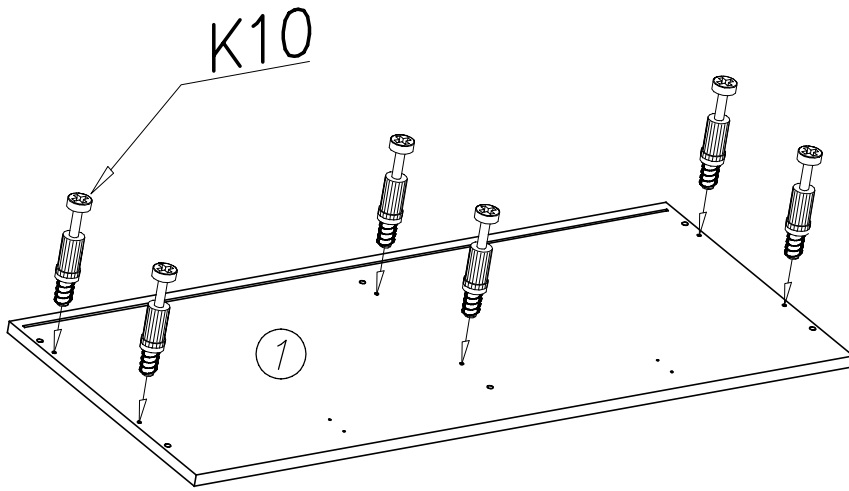
H3

G49

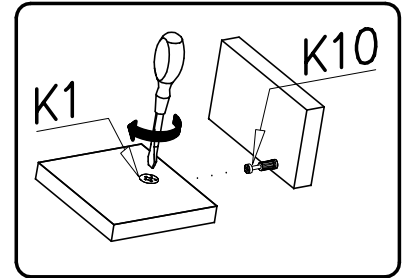
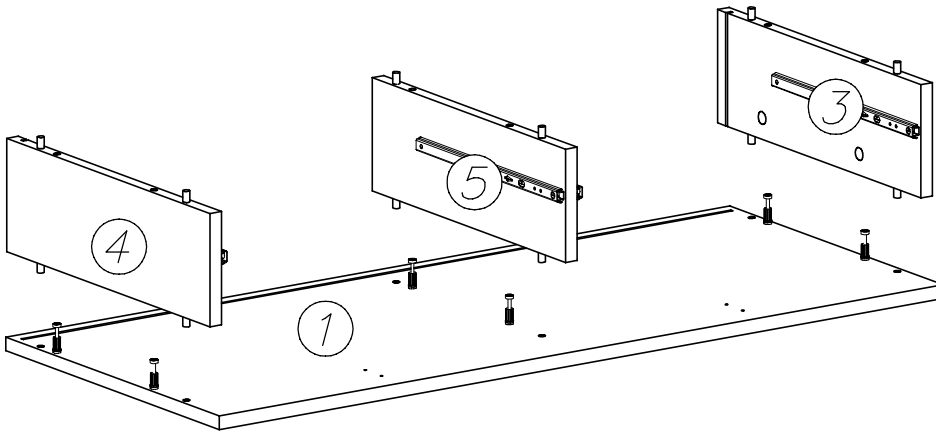
I22



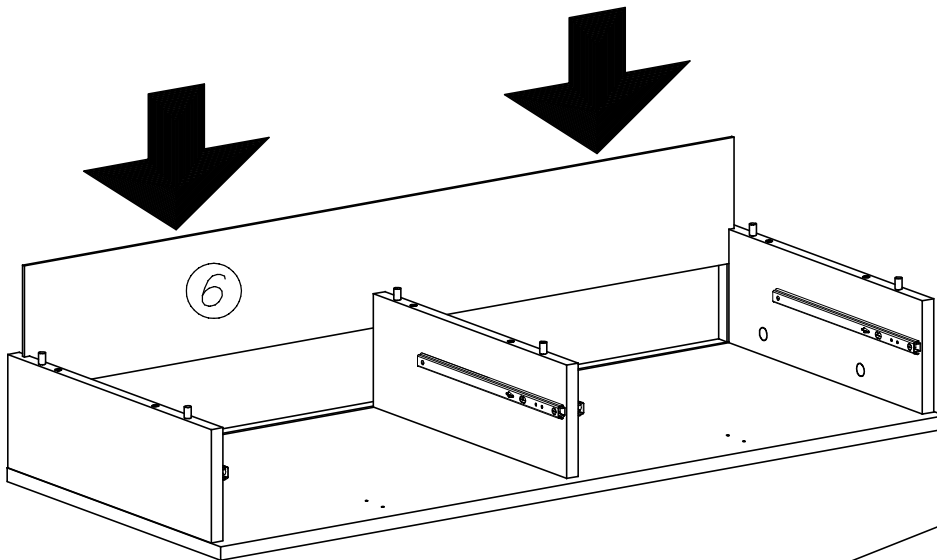
IV



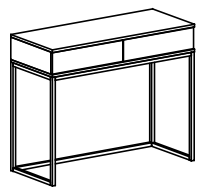
V



VI

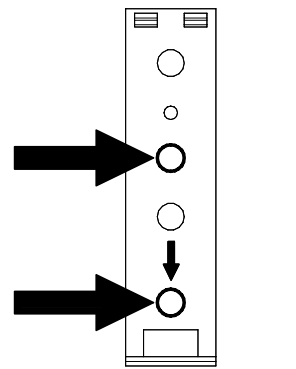
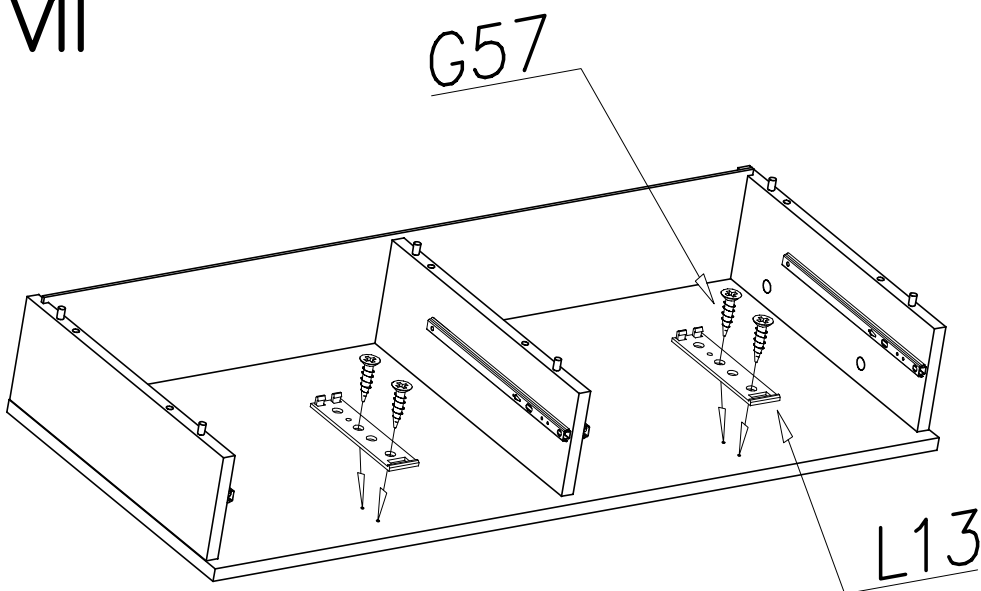


OPCJA B



PUSH

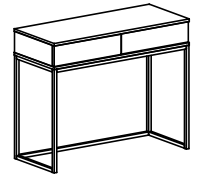
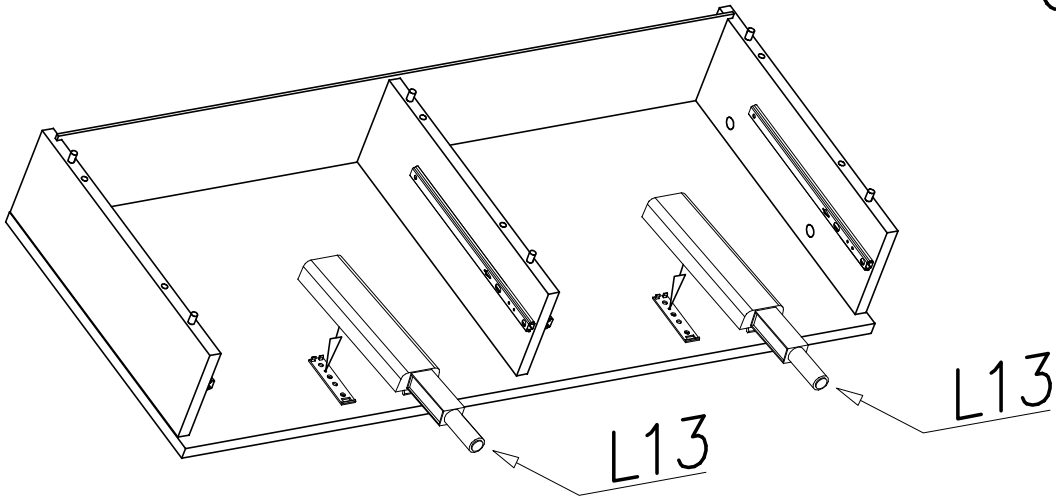
VII



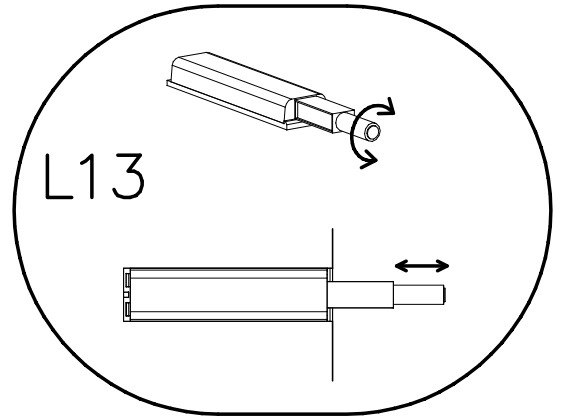
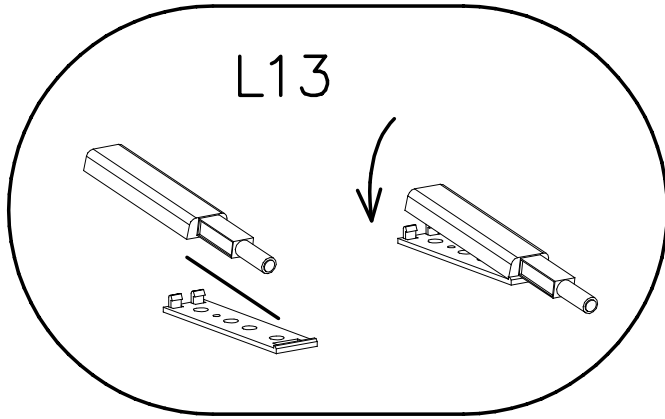
front

VIII

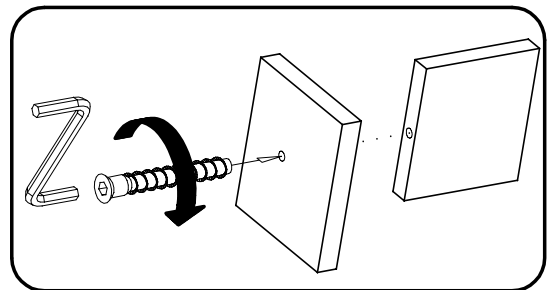
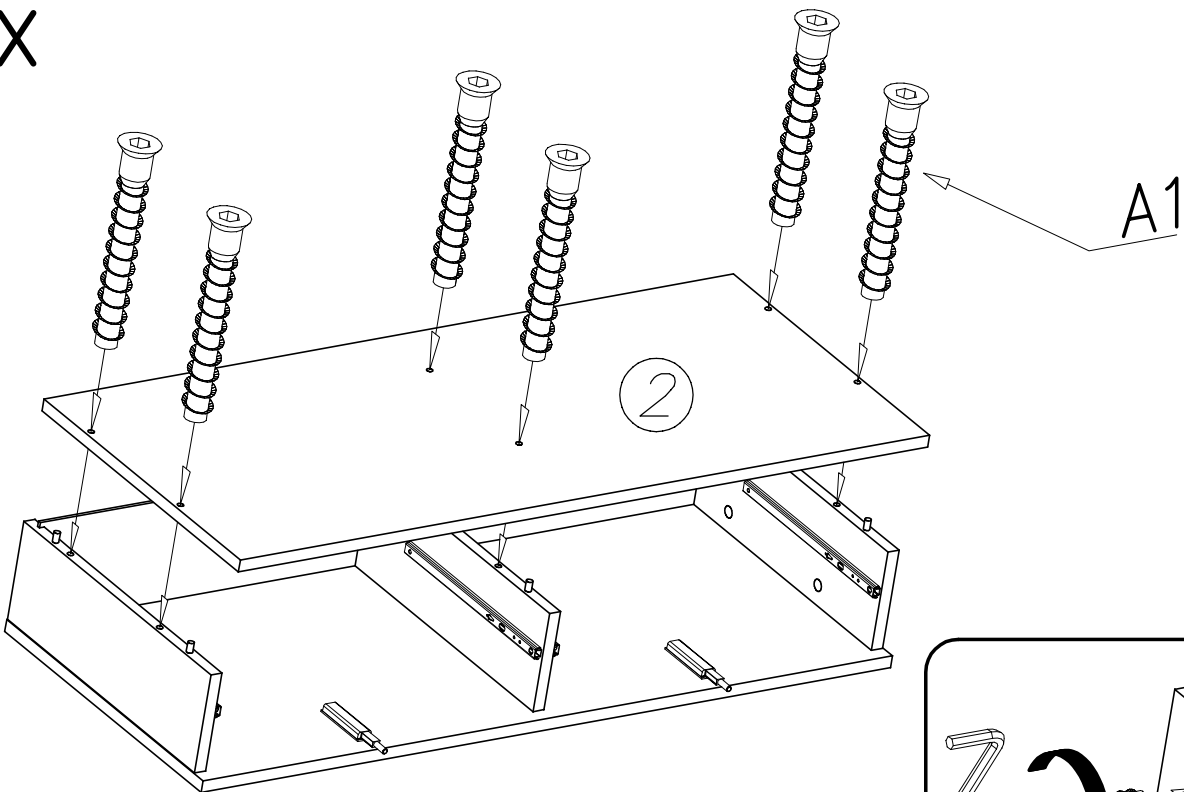
OPCJA B



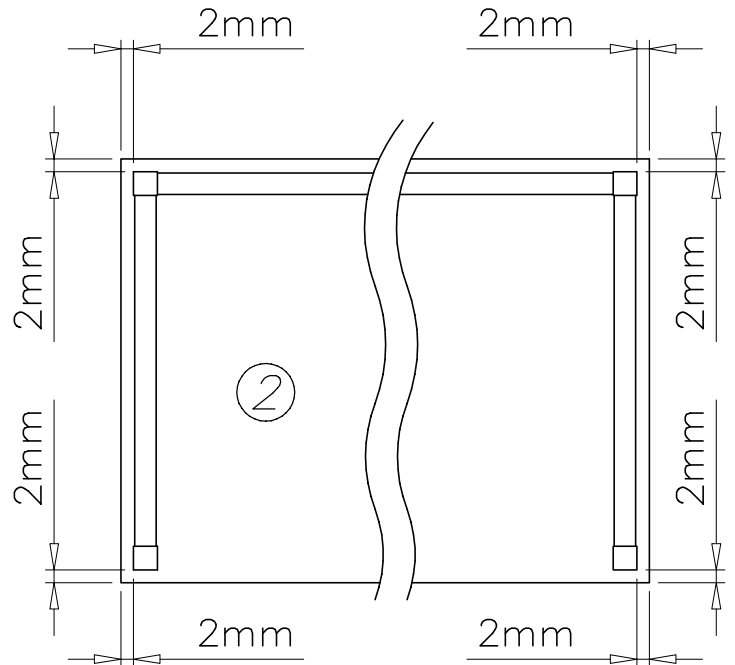
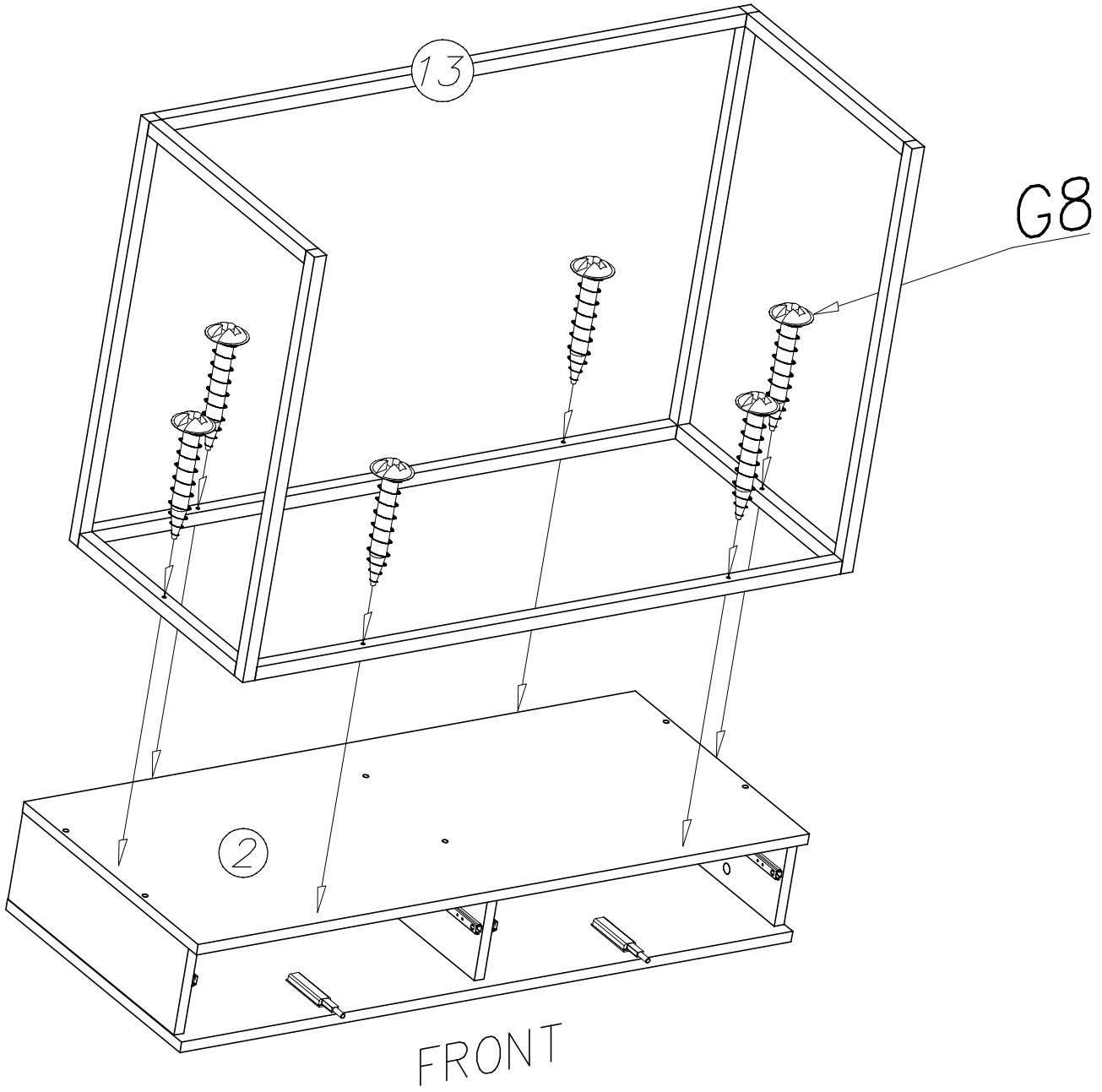
PUSH



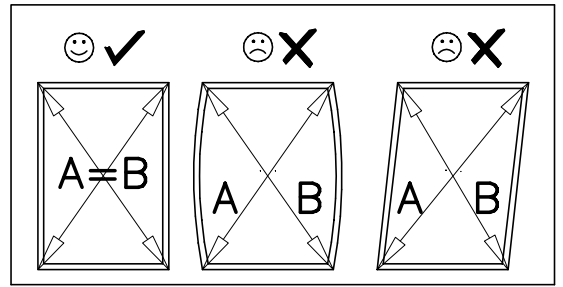
IX



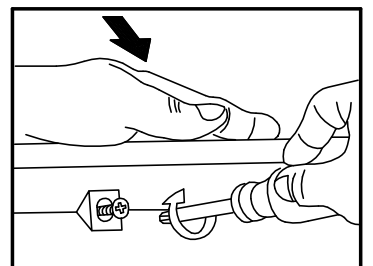
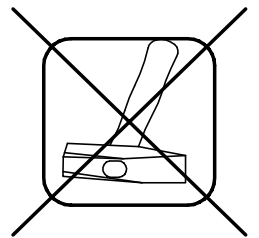
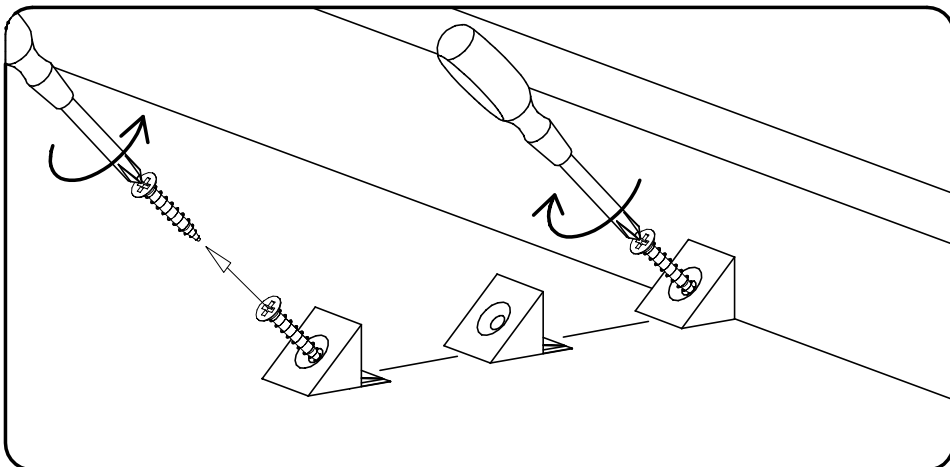
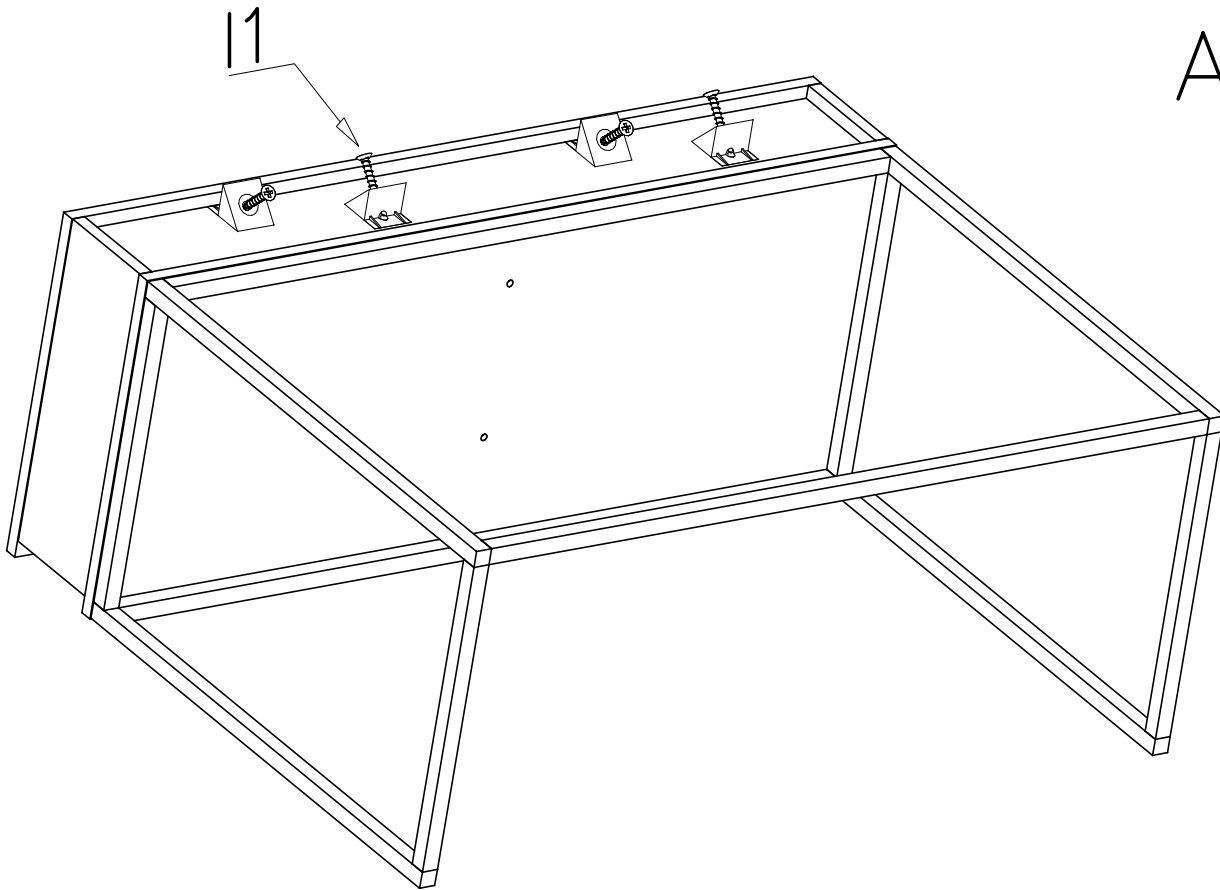
X

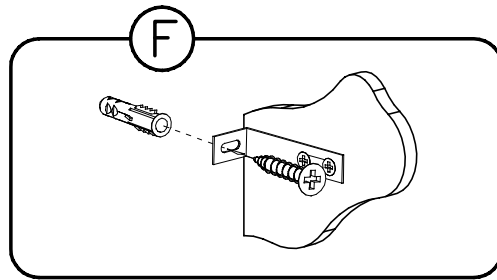
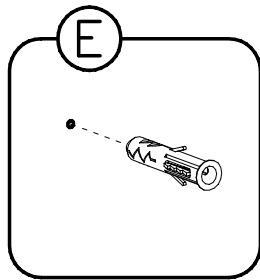
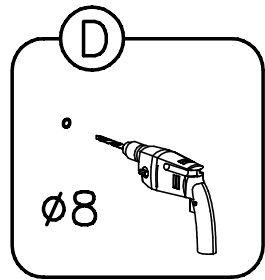
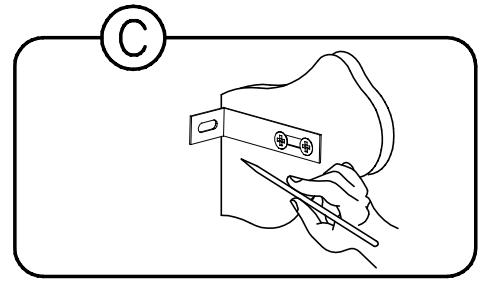
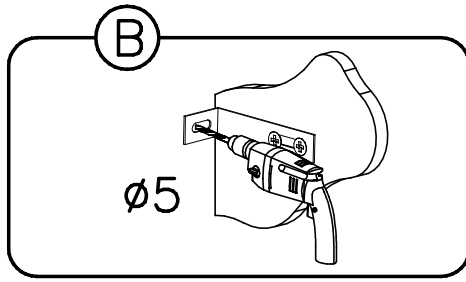
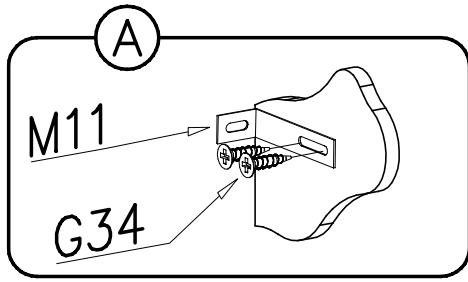


XI

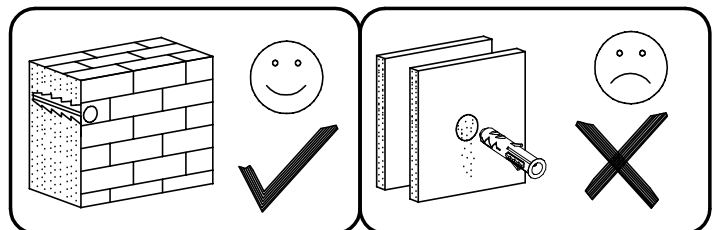
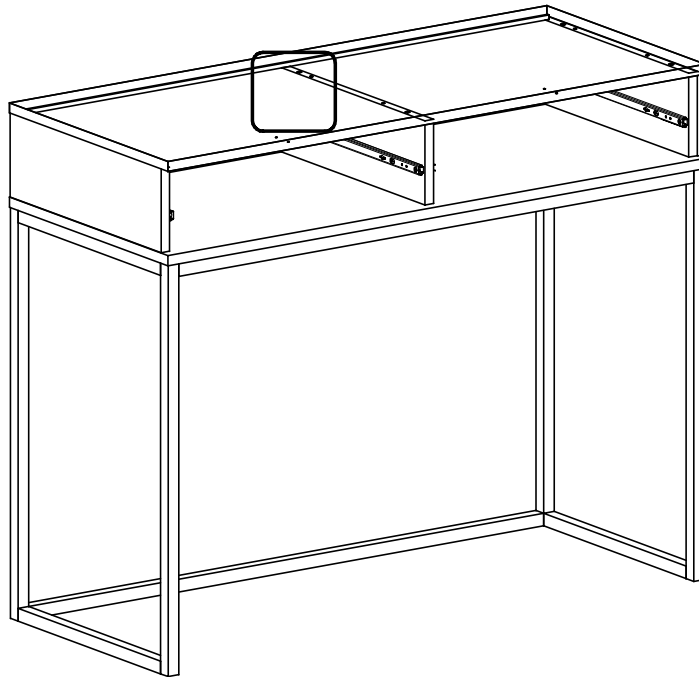


A=B

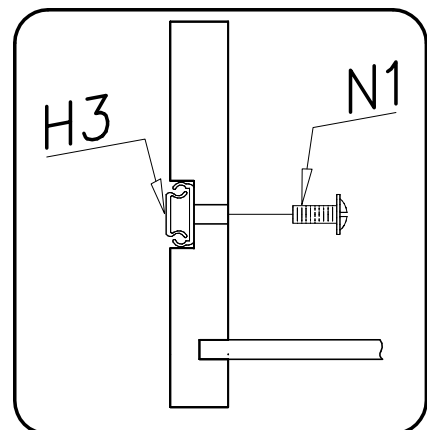
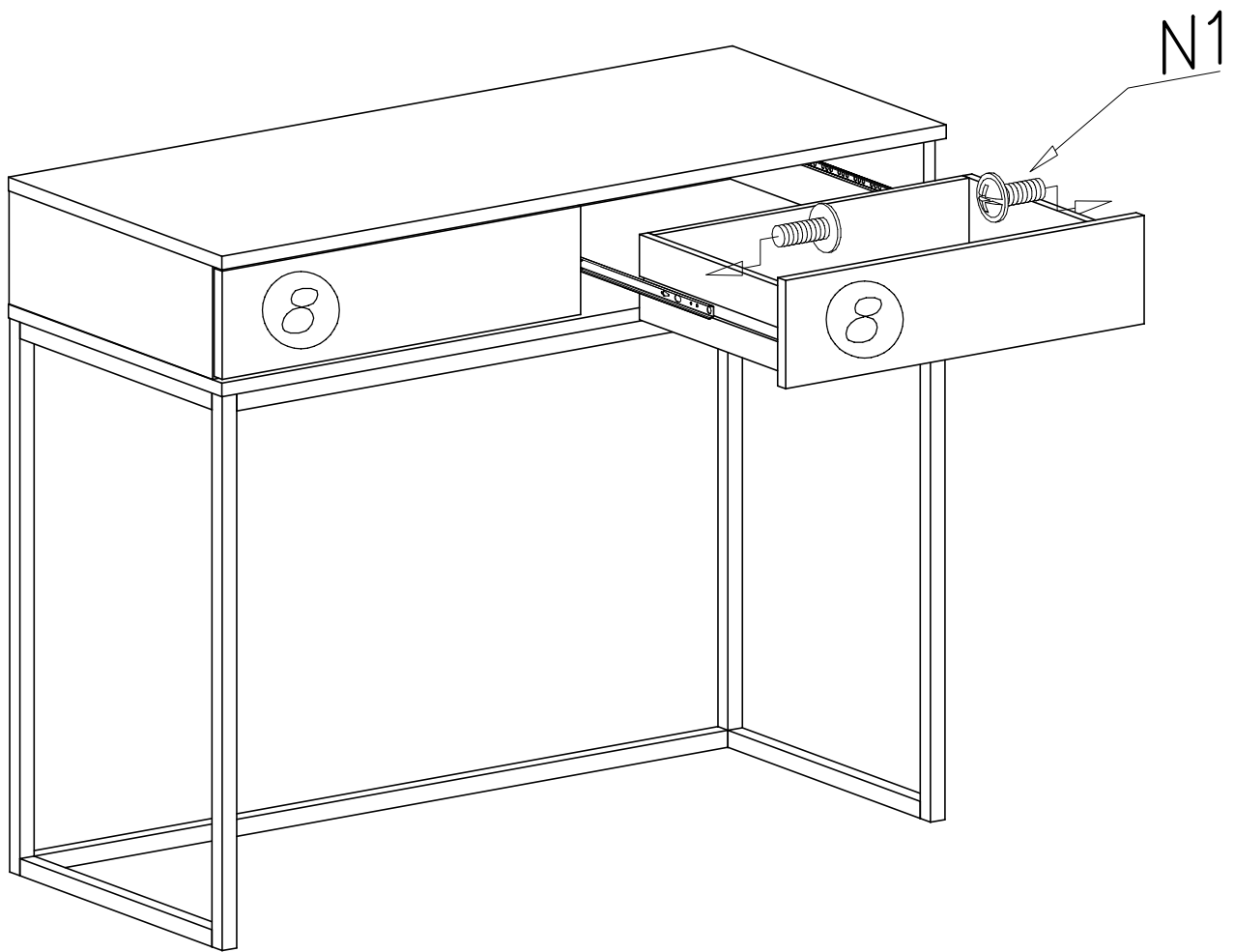


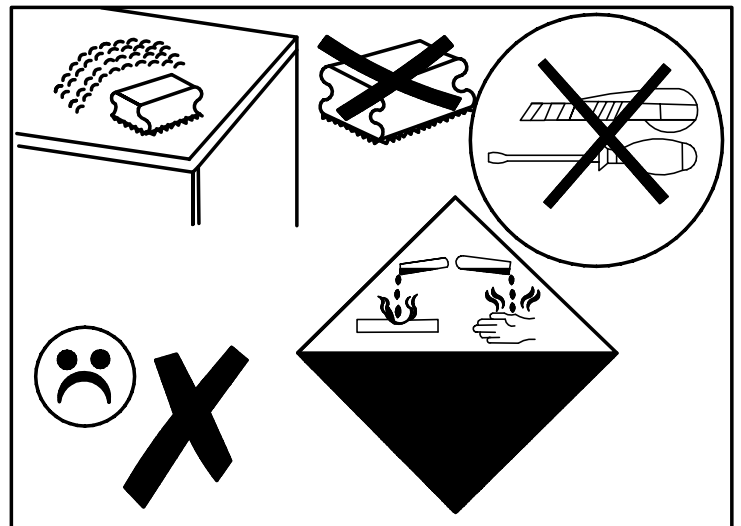
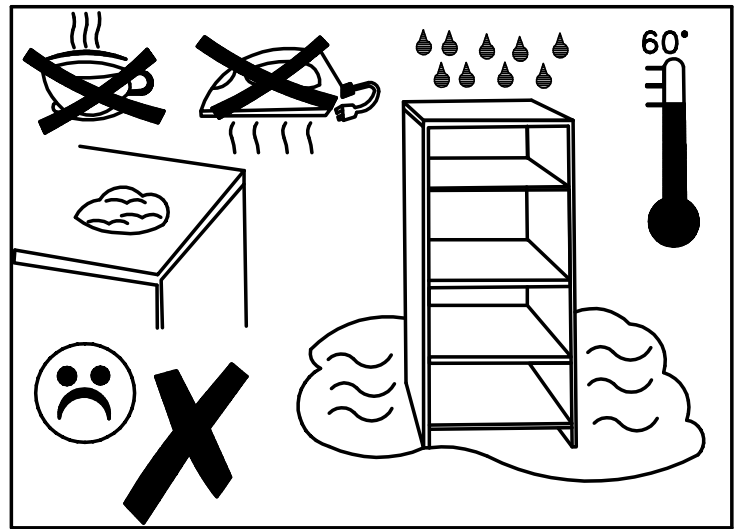
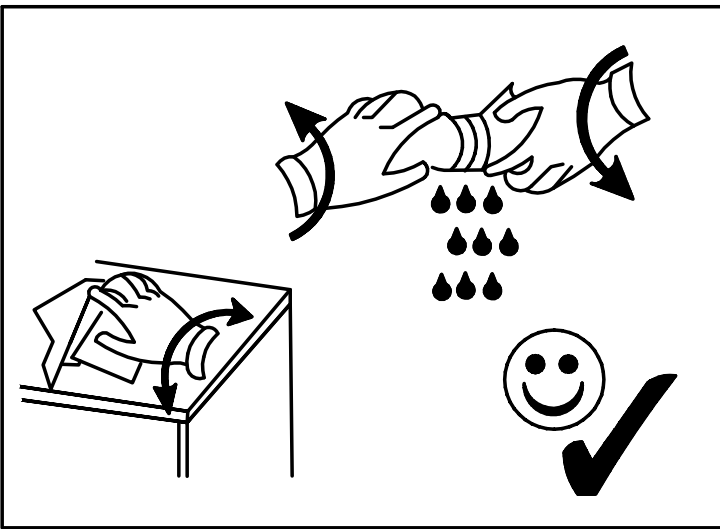
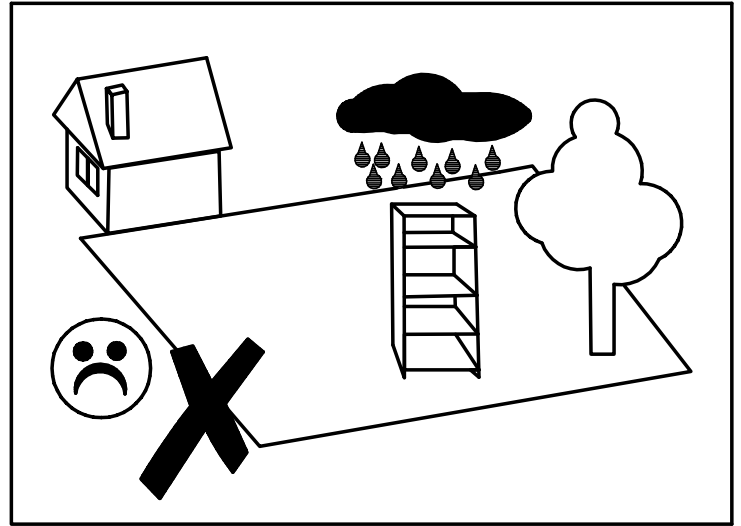
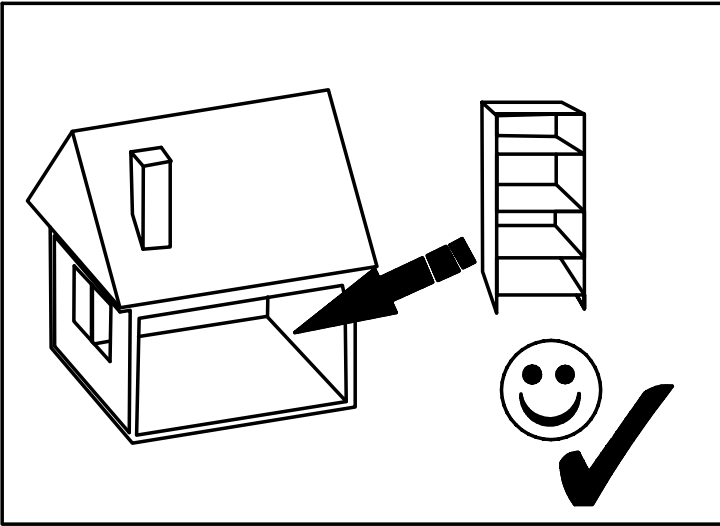
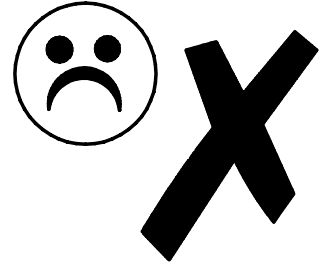


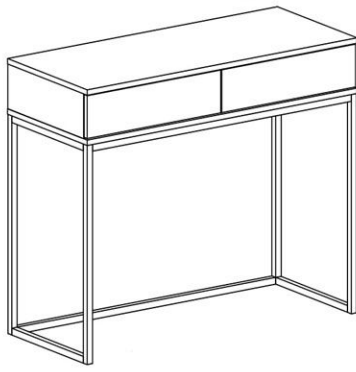
XII



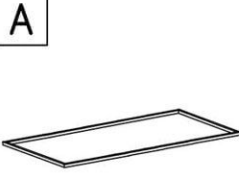
XIII



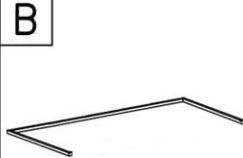




1



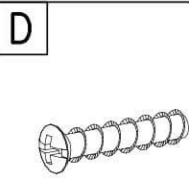
x1



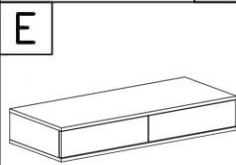
x1



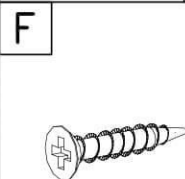
x4



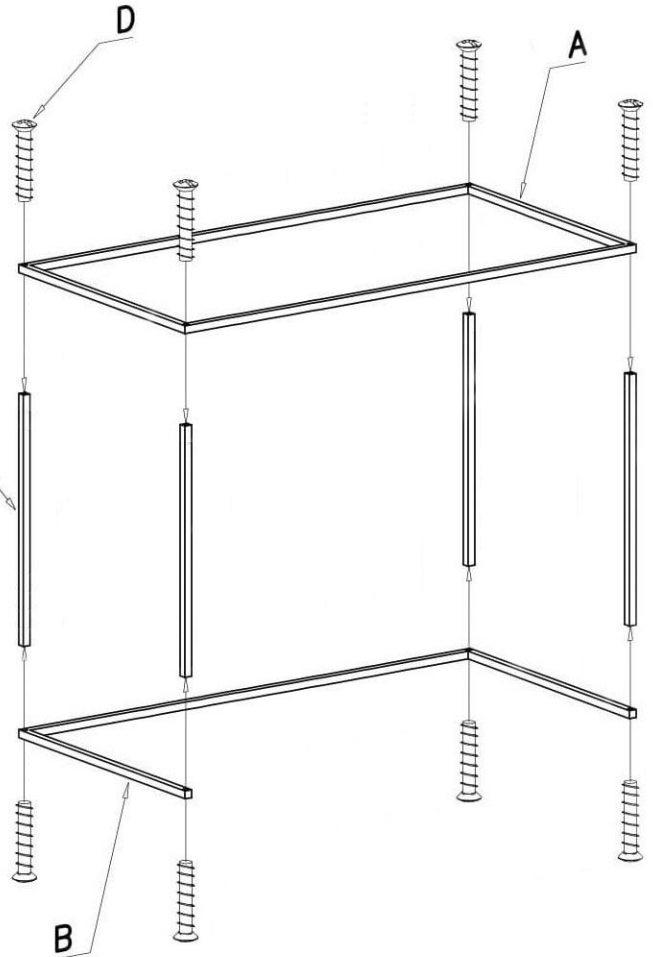
x8



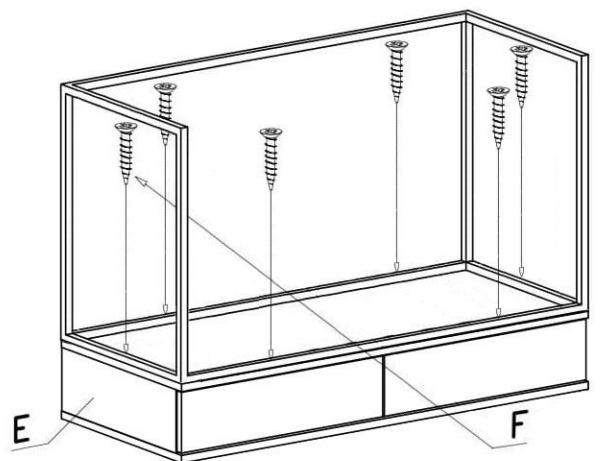
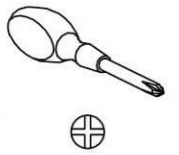
x1

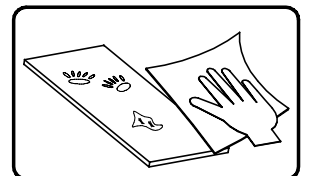
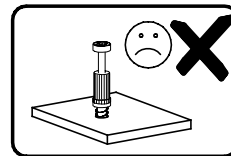
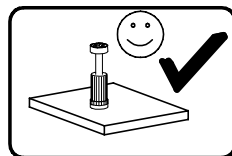
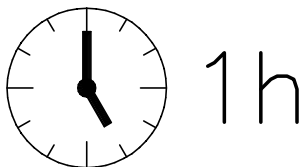
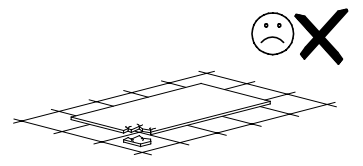
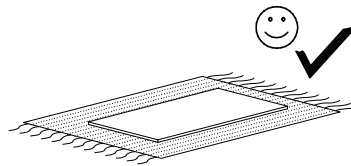
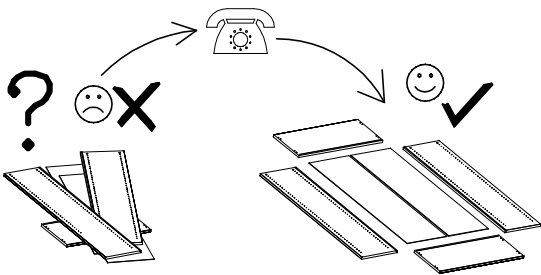
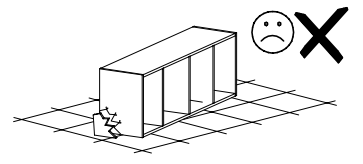
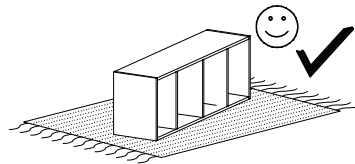
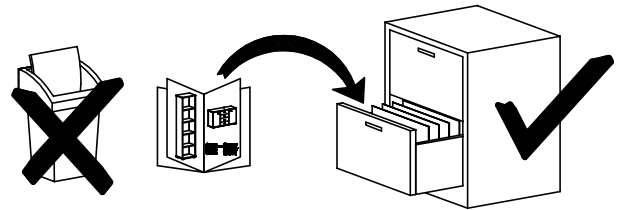
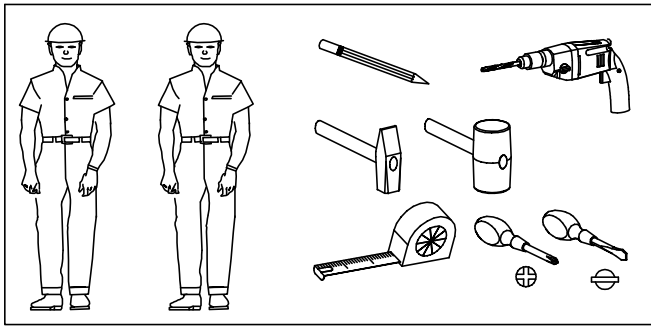
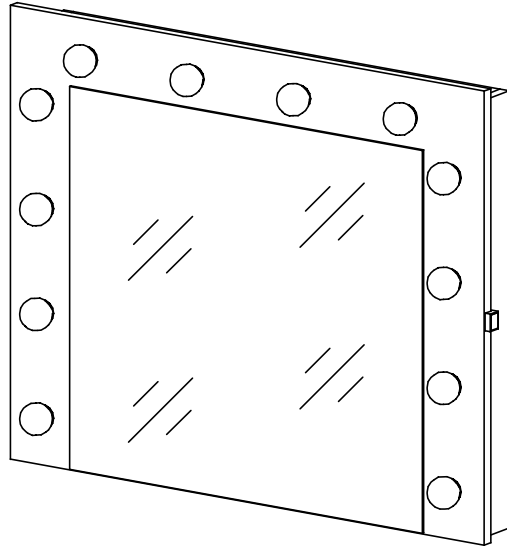


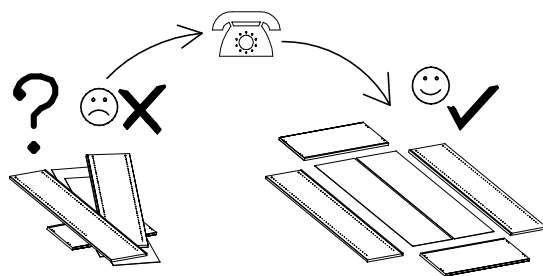
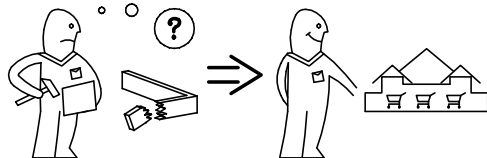
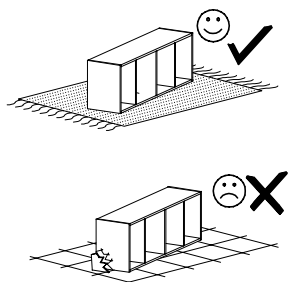
x6



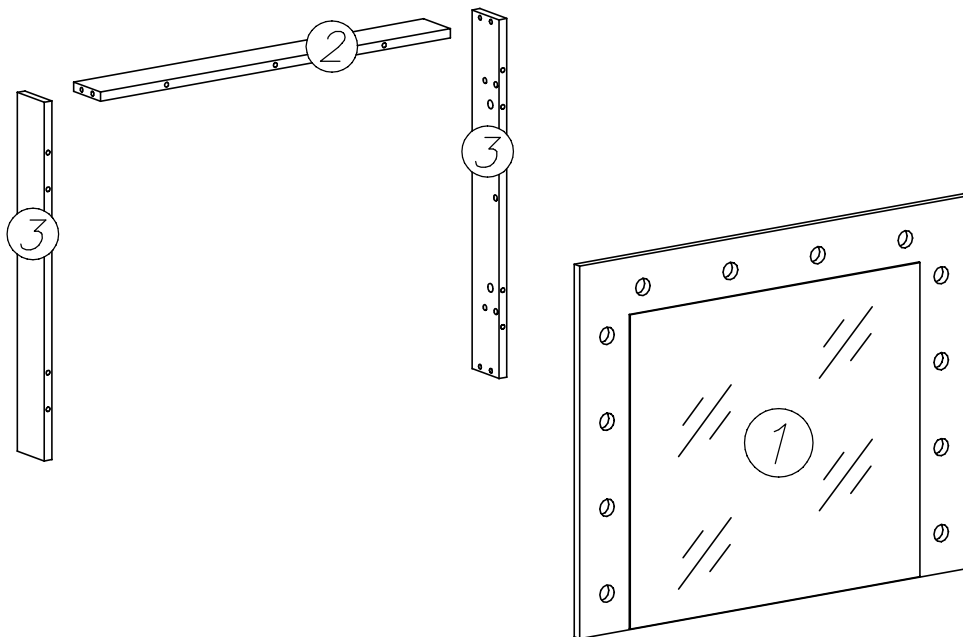
2



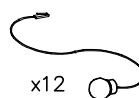




nr	L[mm]	B[mm]	T[mm]	Menge	Colli
1	650	800	20	1	1/1
2	720	79	16	1	1/1
3	626	79	16	2	1/1

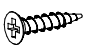


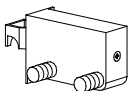
W20

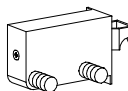



x12


x...(1)

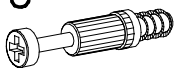
G34 
3,5x16 x...(1)


U9L 
x...(1)

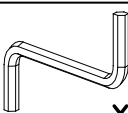
U9R 
x...(1)

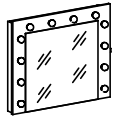
I7 
Ø18 x...(5)

K1 
Ø15x12 x...(5)

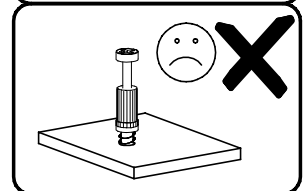
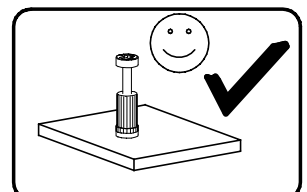
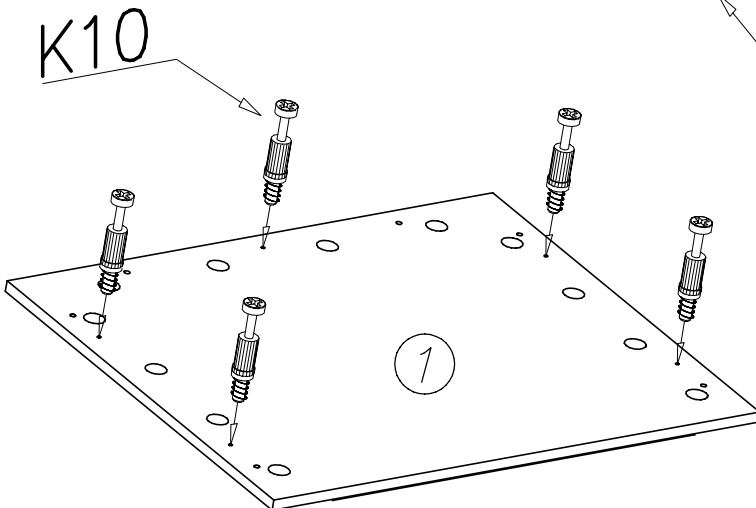
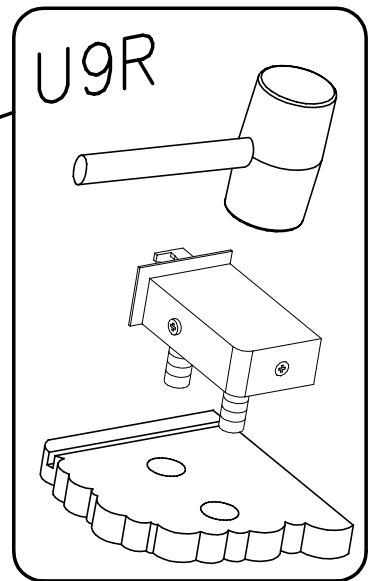
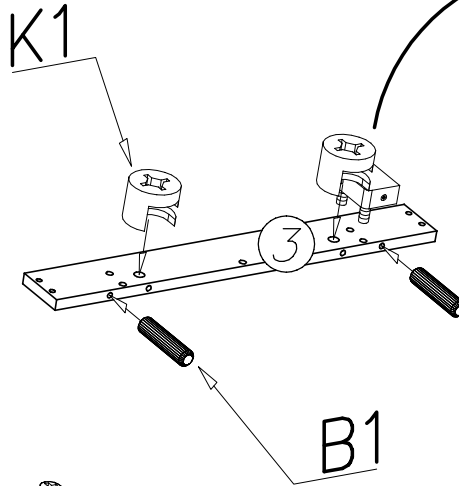
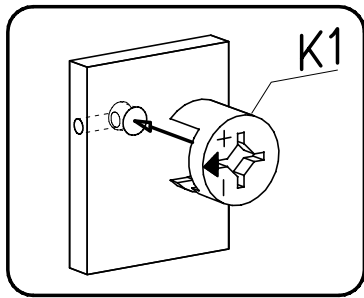
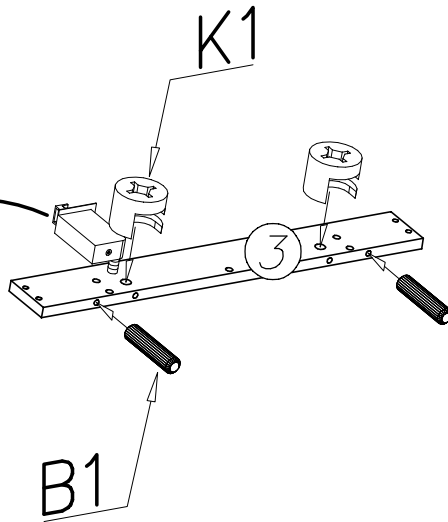
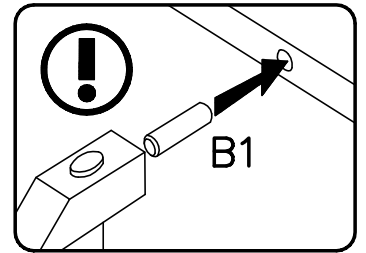
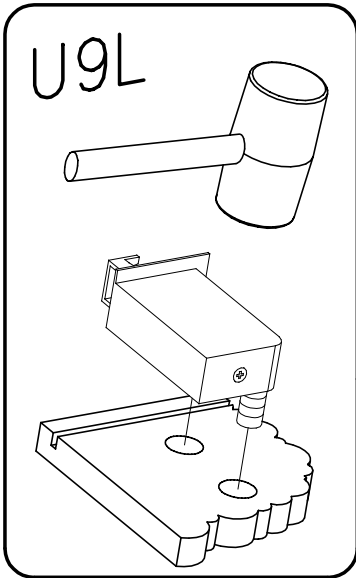
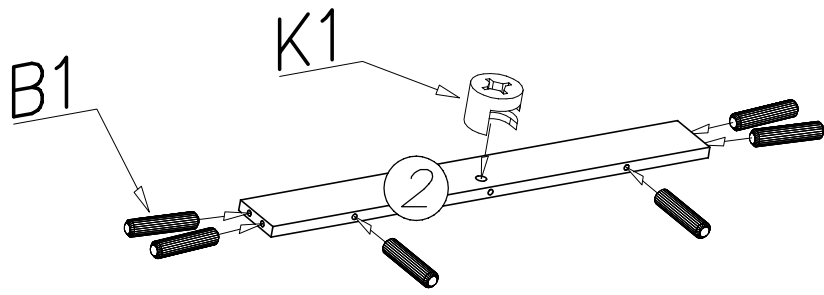
K10 
x...(5)

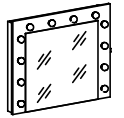
B1 
Ø8x35 x...(10)

W2 
x...(1)

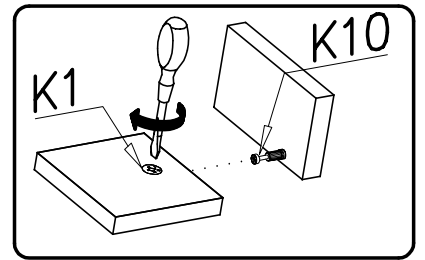
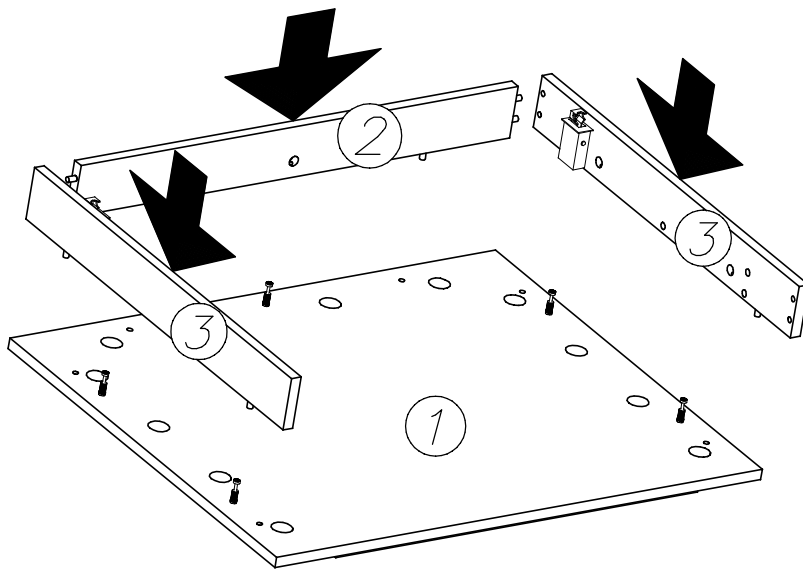


I

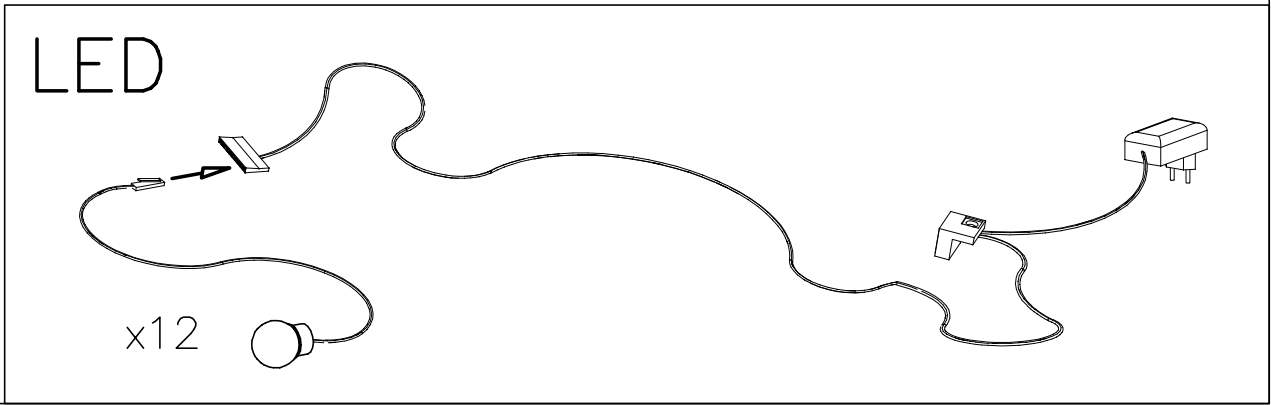
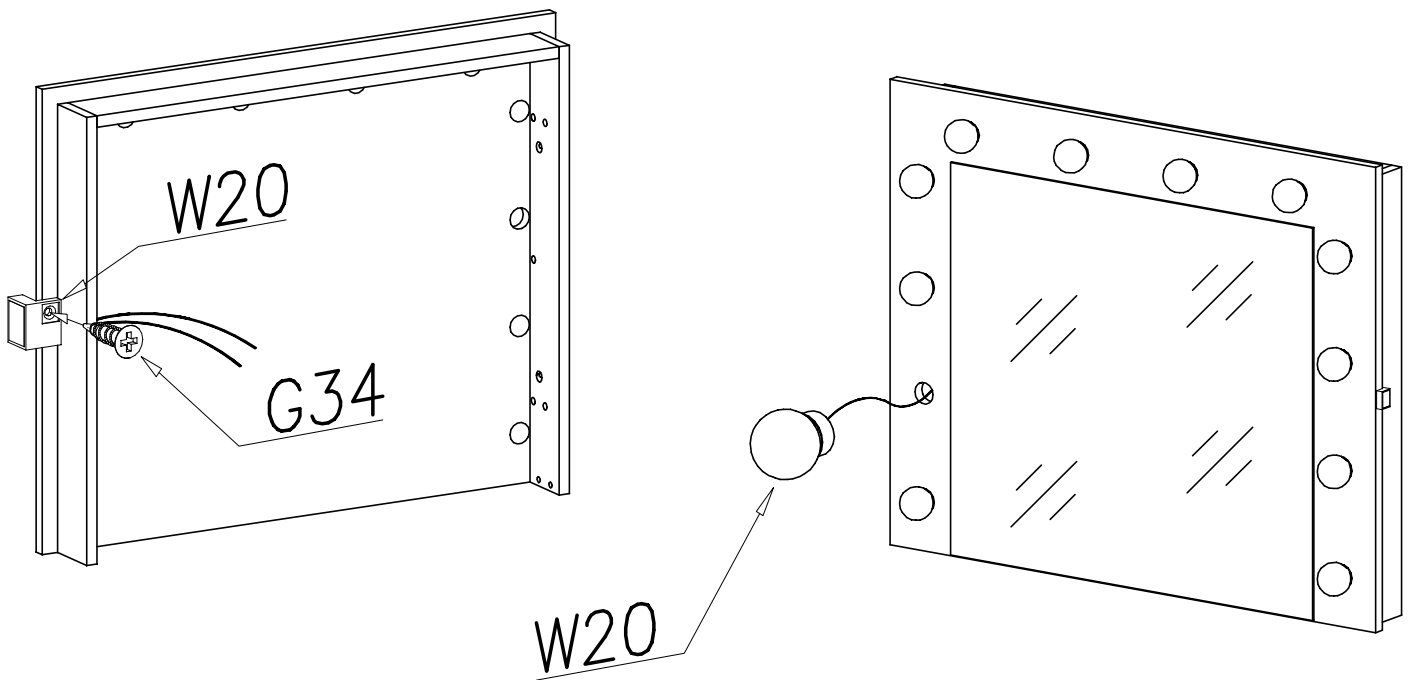


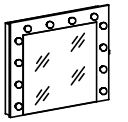


II

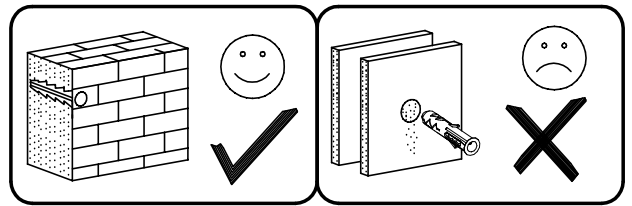
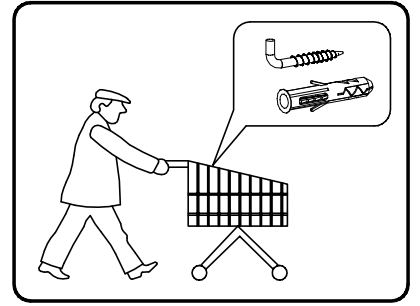
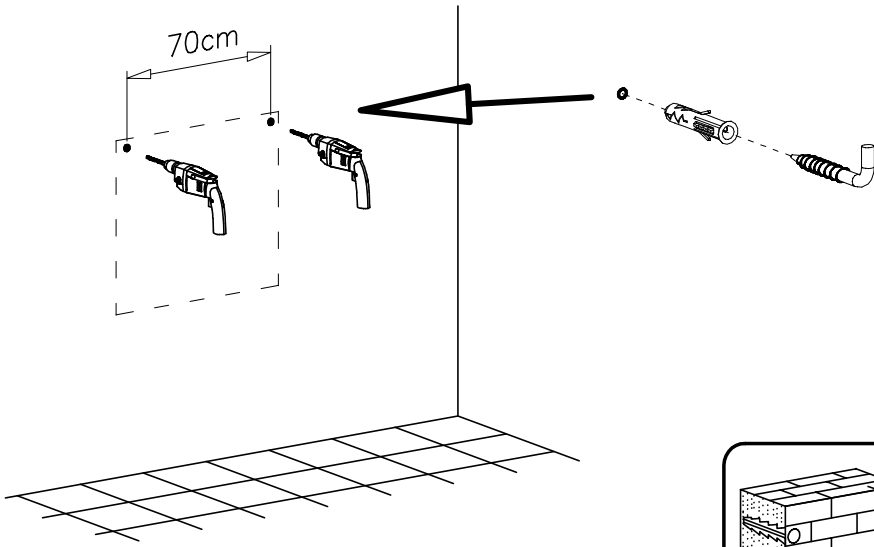


III





IV



V

