

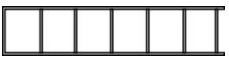

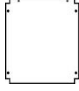

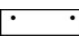



CARE AND MAINTENANCE

Always use felt pads under all articles to prevent discoloration or softening of the lacquer. Plastic and rubber bases on items can discolor wood. Wipe up spills immediately and avoid common hazards such as hot dishes, harsh solvents and abrasives. Cleaning should be done with a soft lint free cotton cloth dampened with water or furniture polish. On highly used surfaces we recommend applying a quality paste wax which should be used on a regular basis to provide additional protection from scratches and spills. How often you apply the wax depends on how much wear the furniture receives.

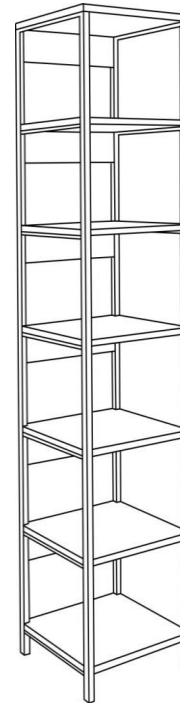
NOTICE

- * Please make sure that you have all parts indicated before you begin assembly of this item
- * This item should be assembled on a soft surface to prevent scratching the finish during assembly
- * This item may require periodic tightening

Part List and Hardware List

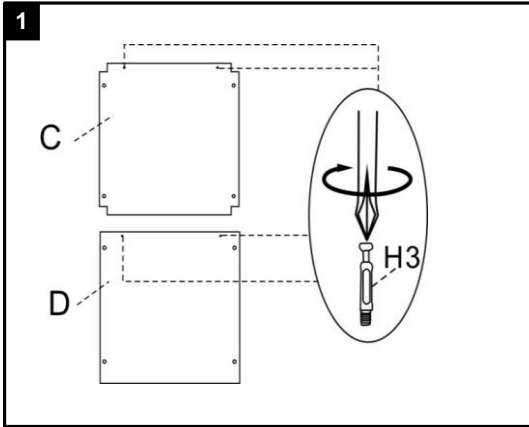
A	Metal frame		2X
B	Shelf (on the bottom)		1X
C	Shelf		5X
D	Shelf (on the top)		1X
E	Shelf		6X
H1	Allen bolt	 M6X20mm	28X
H2	Allen key		1X
H3	Screw		12X

Product Dimensions: 15-3/4"W X 15-3/4"D X 78-3/4"H

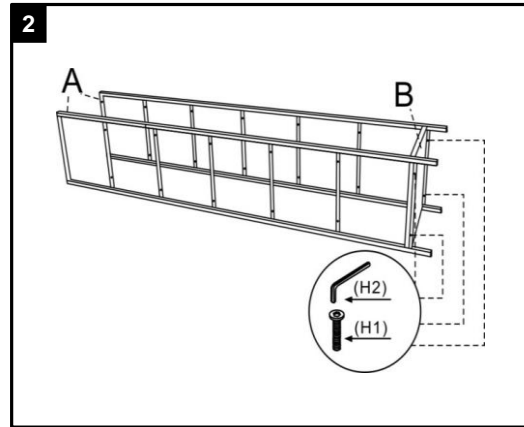


PREPARATION

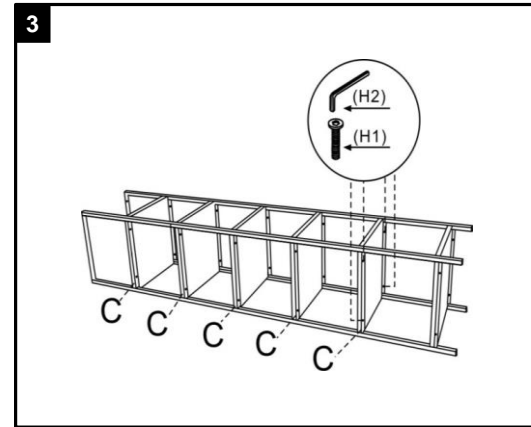
Before beginning assembly of product, make sure all parts are present. Compare parts with package contents list and hardware contents list.



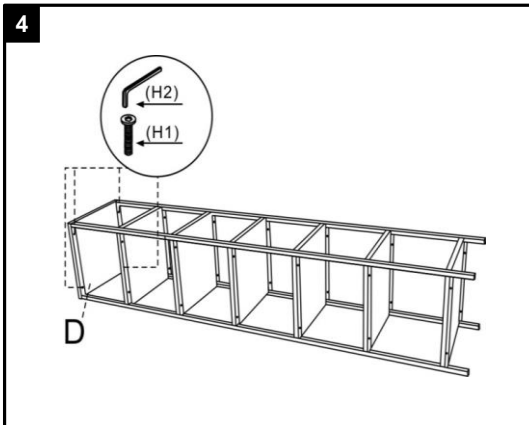
Step 1
Attach the Screw(H3) to Shelf(C)and Shelf (D)
Tighten with philips driver



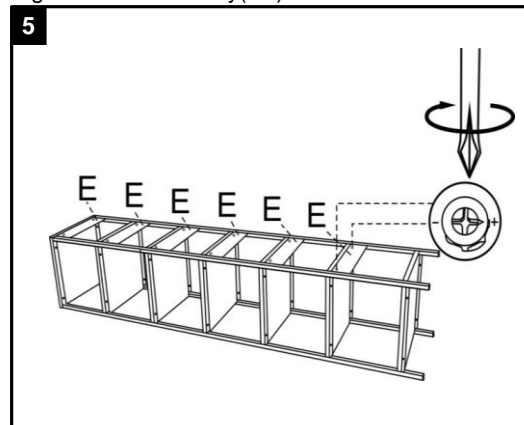
Step 2
Attach the Shelf(B)to Metal frame(A),using
Allen bolt(H1)
Tighten with Allen key(H2)



Step 3
Attach the Shelf(C) to Metal frame (A),using Allen bolt(H1)
Tighten with Allen key(H2)



Step 4
Attach the Shelf(D) to the Metal frame(A), using
Allen bolt(H1)
Tighten with Allen key(H2)



Step 5
Attach the Shelf(E) to the Shelf(C)
Tighten with philips driver