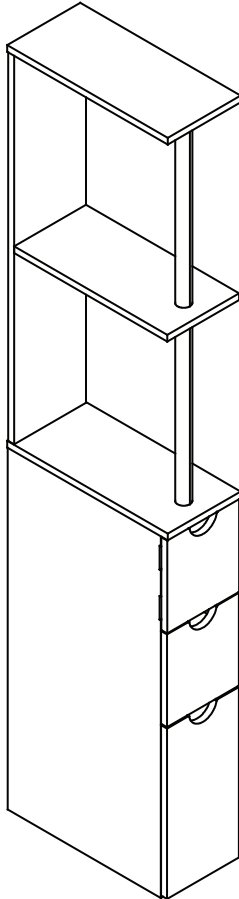


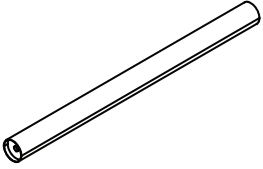




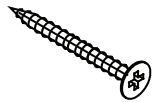
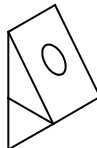
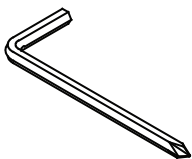
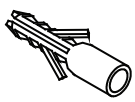
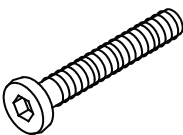
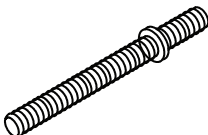

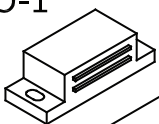


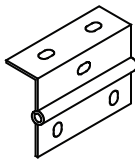
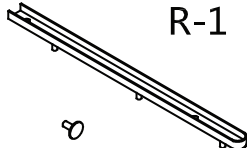


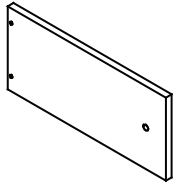


Please read these instructions and warranty information carefully before use and keep them properly for future reference.

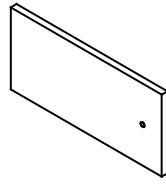
OPERATING INSTRUCTIONS

			PART	QTY		PART	QTY	
			A	22		B	22	
			C	2		D	8	 6*30
			E	10	 3*14	F	14	 3*10
			G	10	 3.5*12	H	13	 4*35
			I	8		J	1	
PART	QTY							
K	1		L	1		M	2	
N	3		O	1	O-1  O-2 	P	2	
Q	2		R	4	R-1  R-2 	S	1	



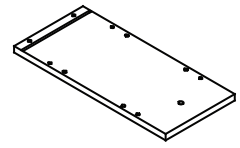
1PC

①



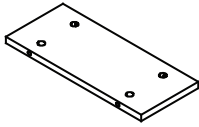
1PC

②



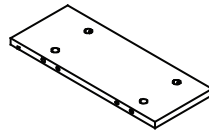
1PC

③



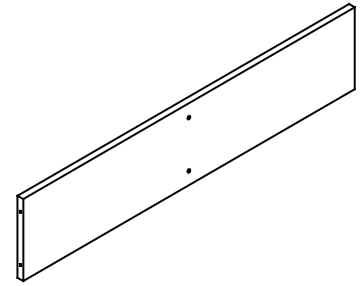
1PC

④



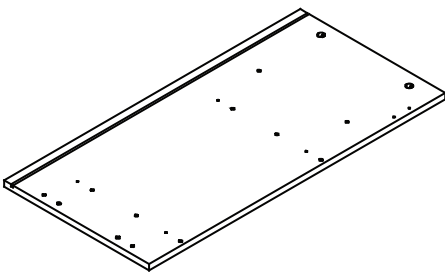
1PC

⑤



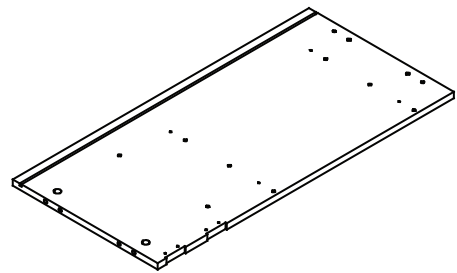
1PC

⑥



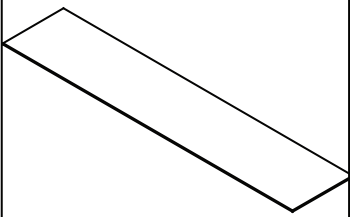
1PC

⑦



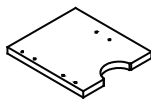
1PC

⑧



1PC

⑨



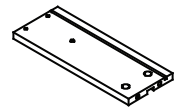
1PC

⑩



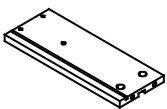
2PCS

⑪



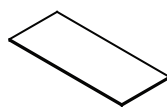
2PCS

⑫



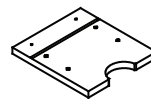
2PCS

⑬



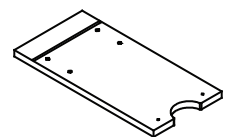
2PCS

⑭



1PC

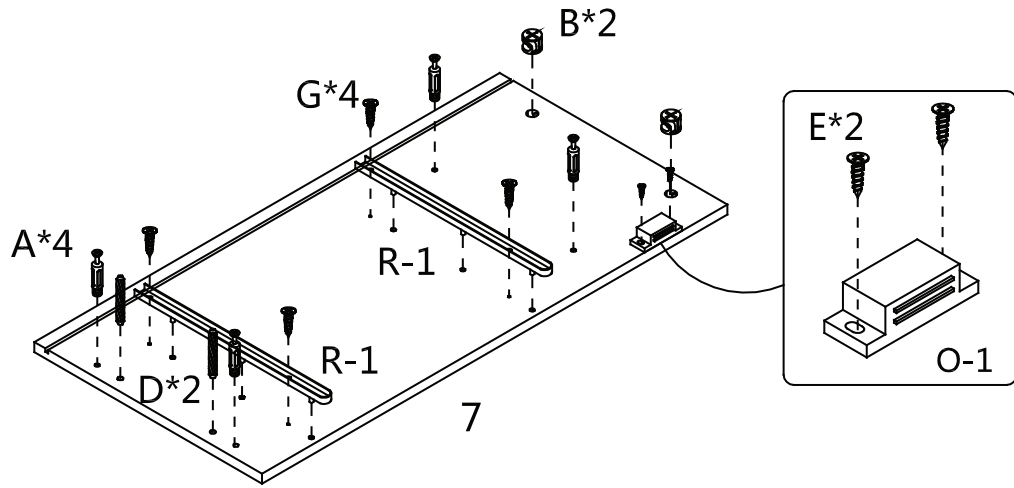
⑮



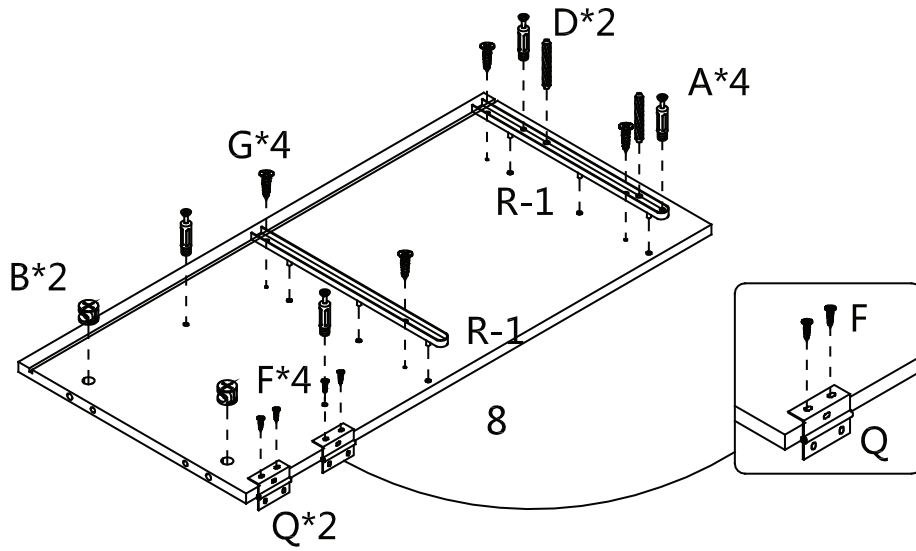
1PC

⑯

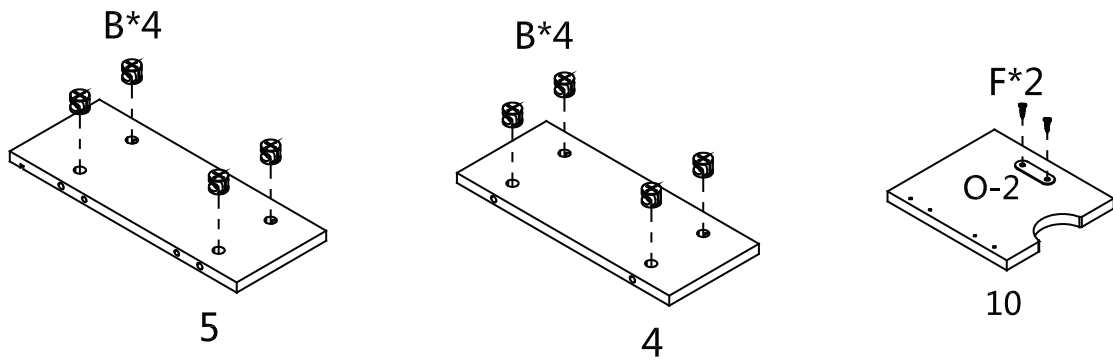
1



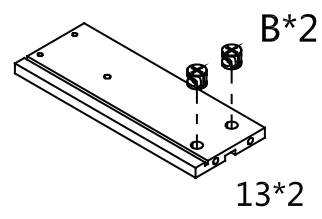
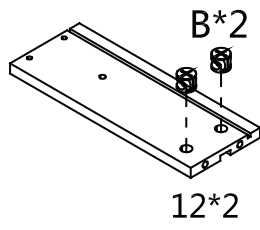
2



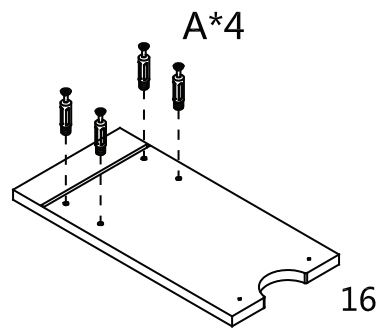
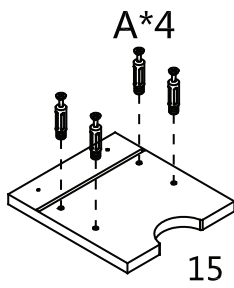
3



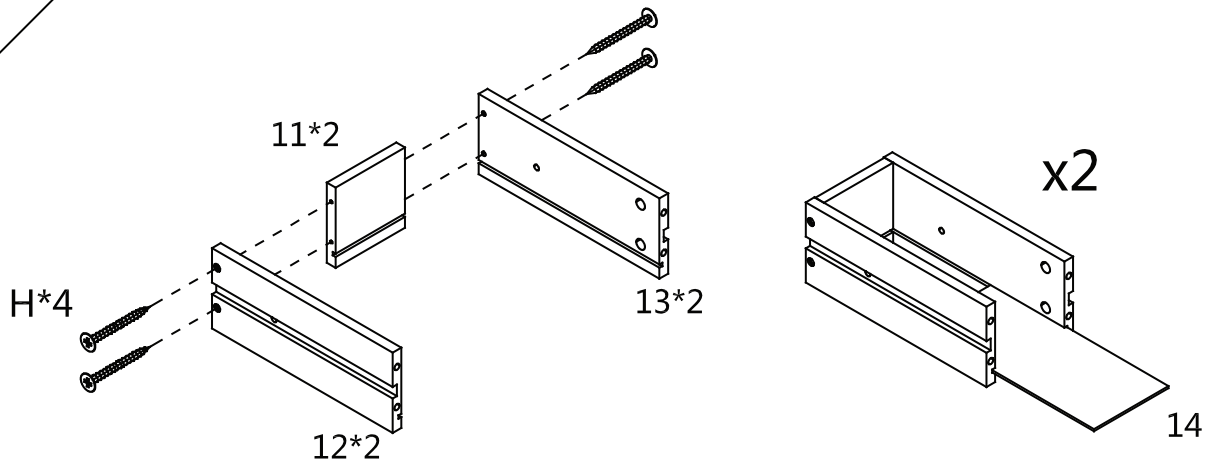
4



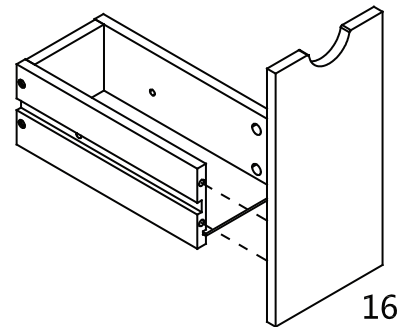
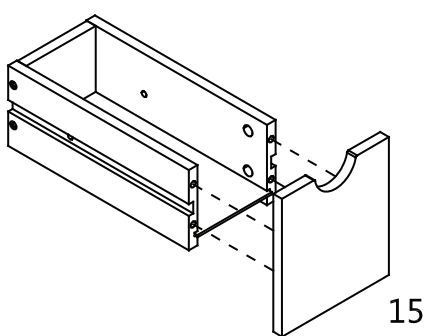
5



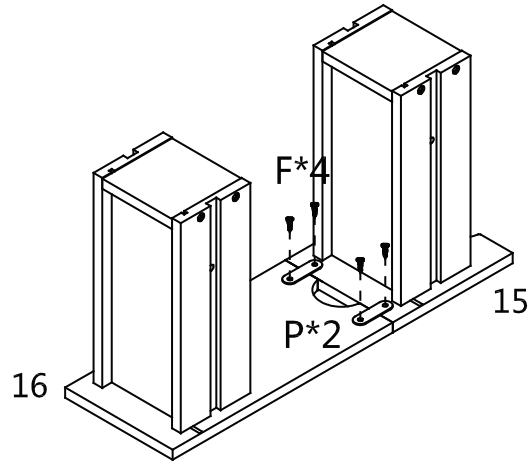
6



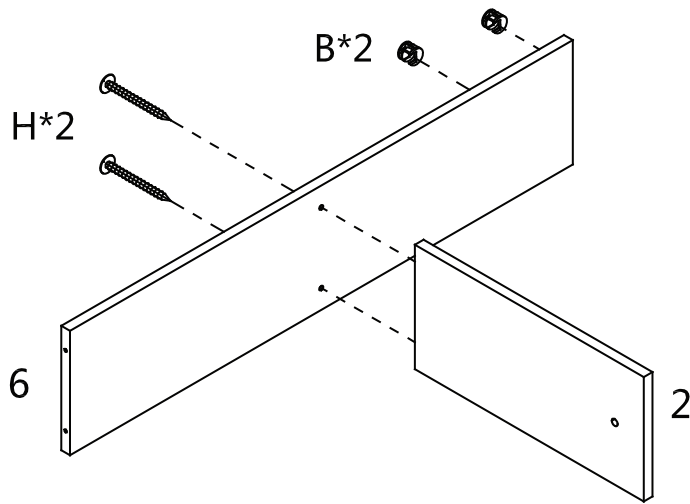
7



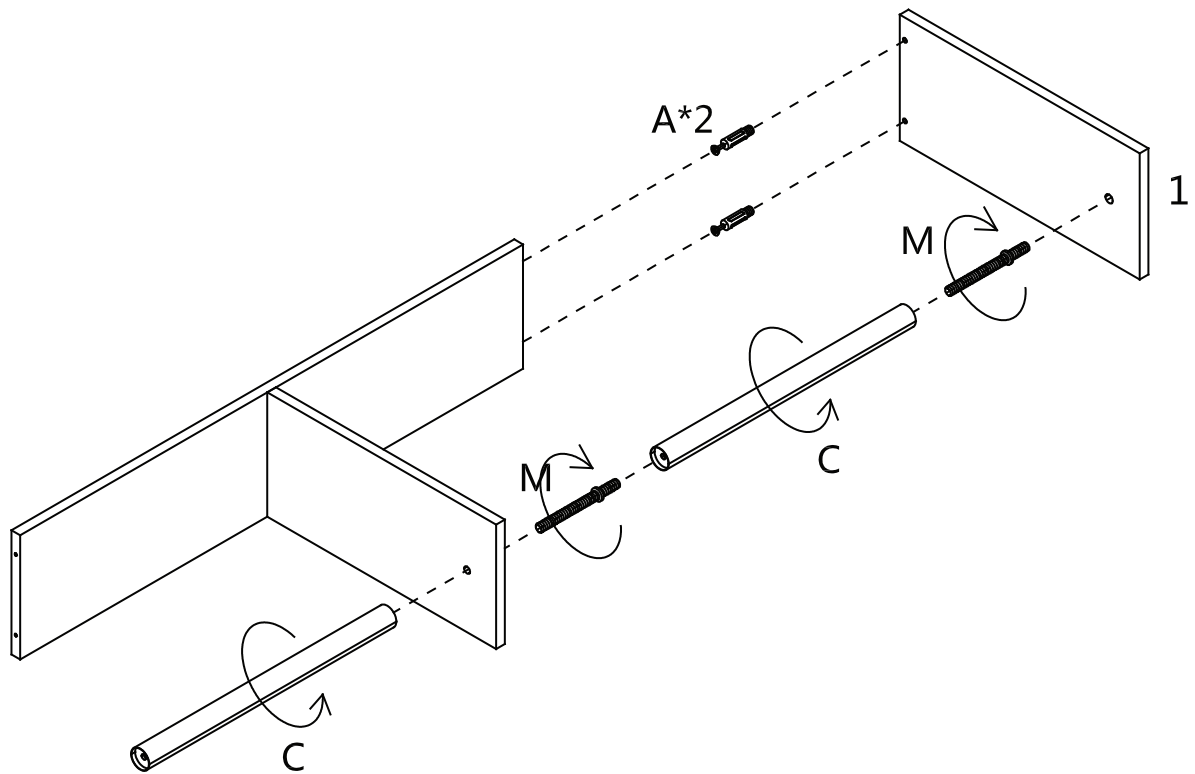
8



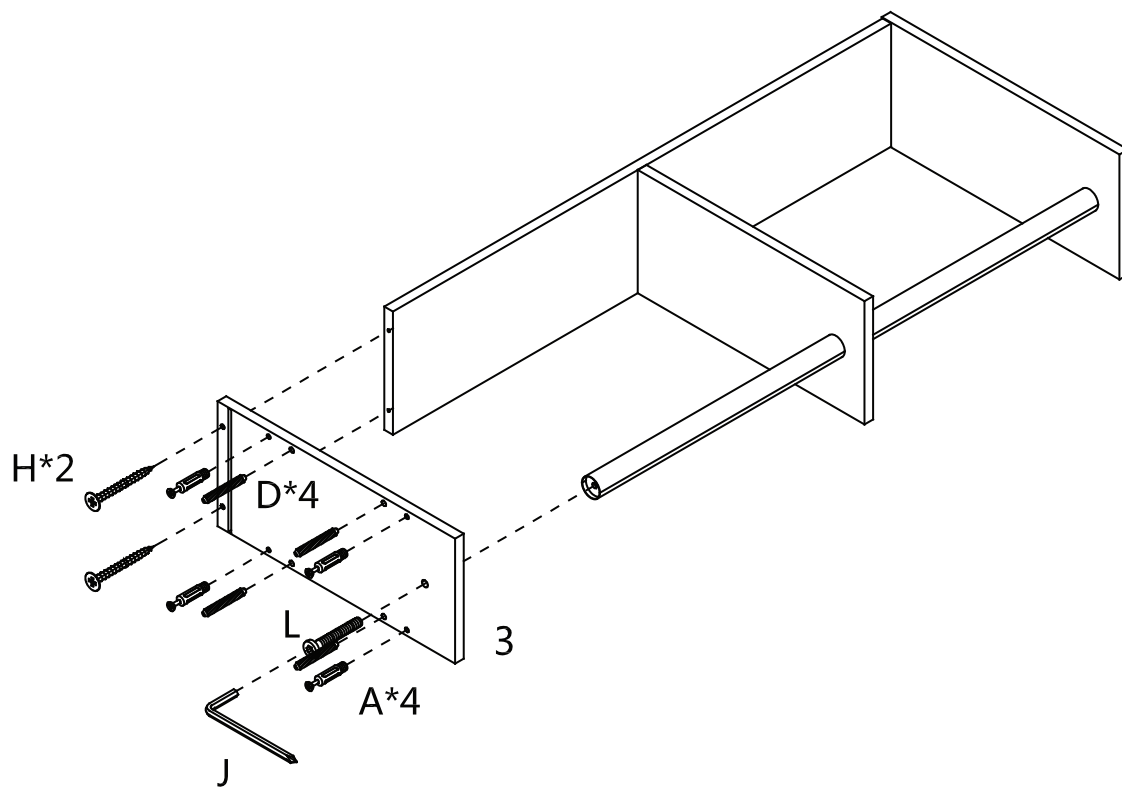
9



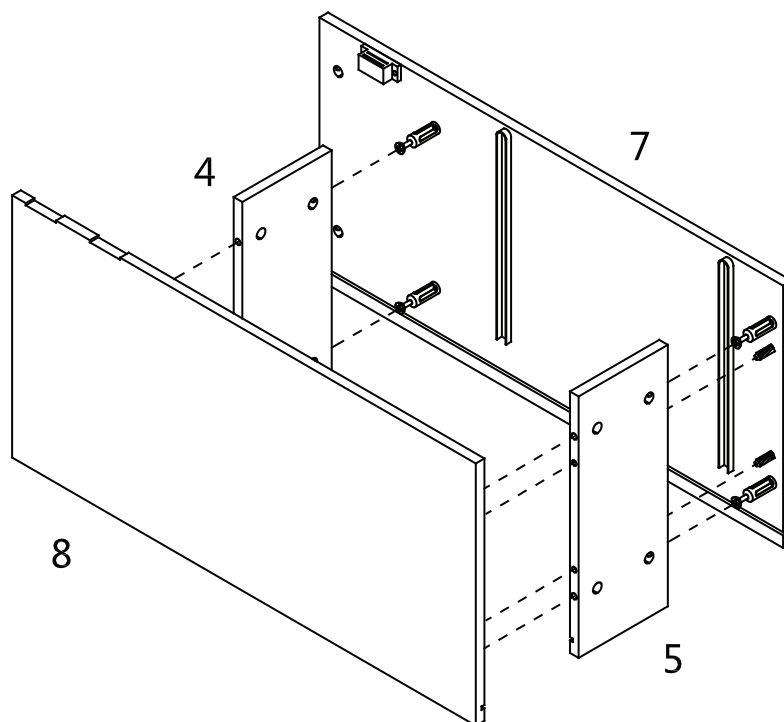
10



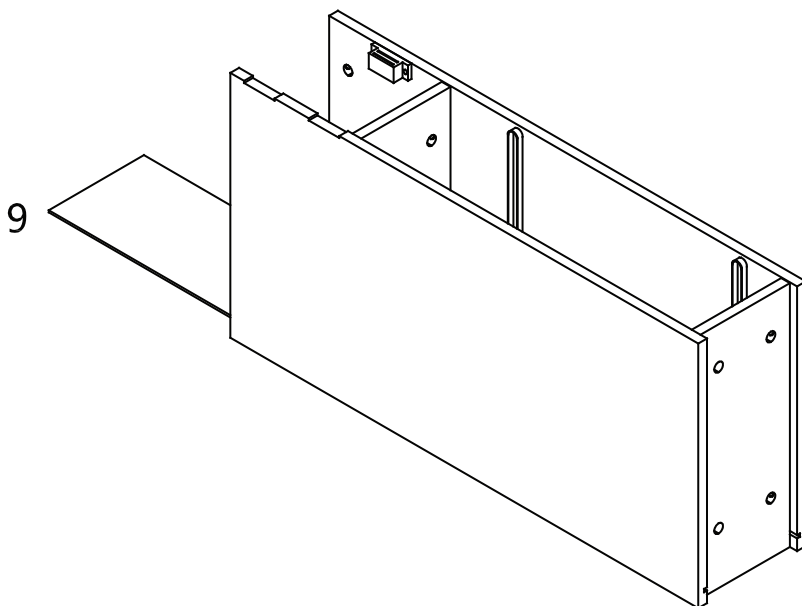
11



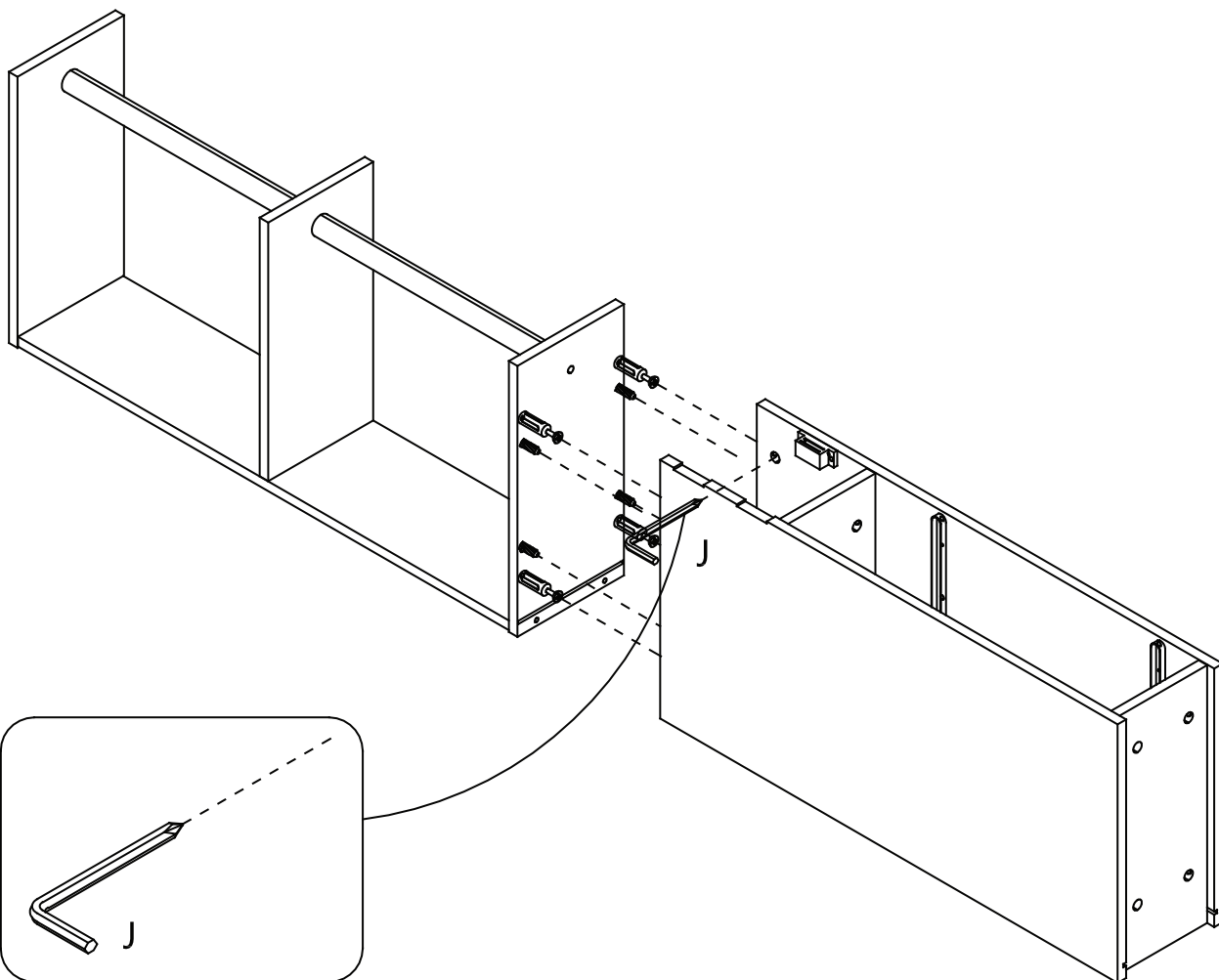
12



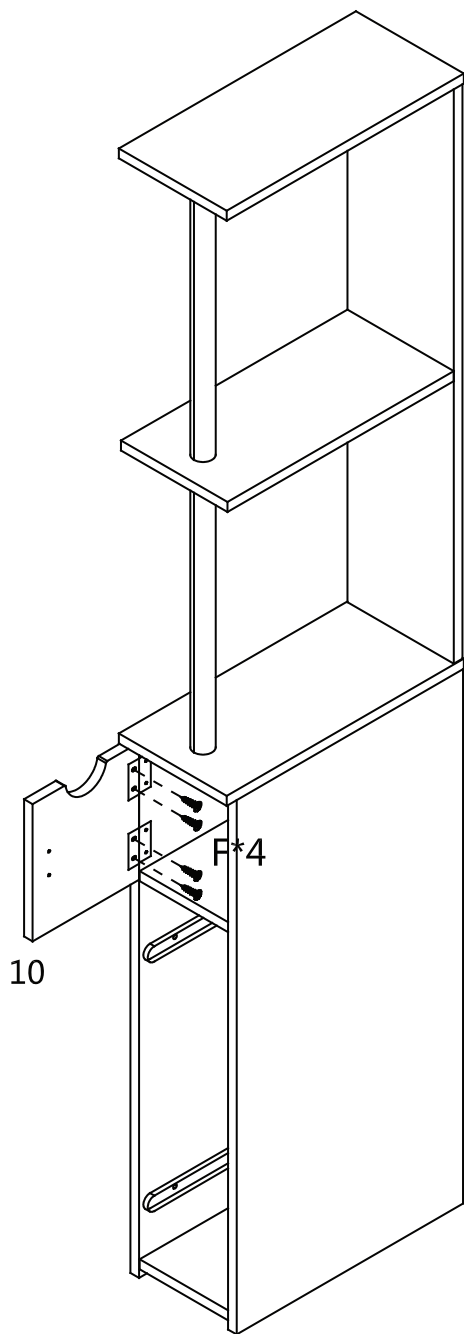
13



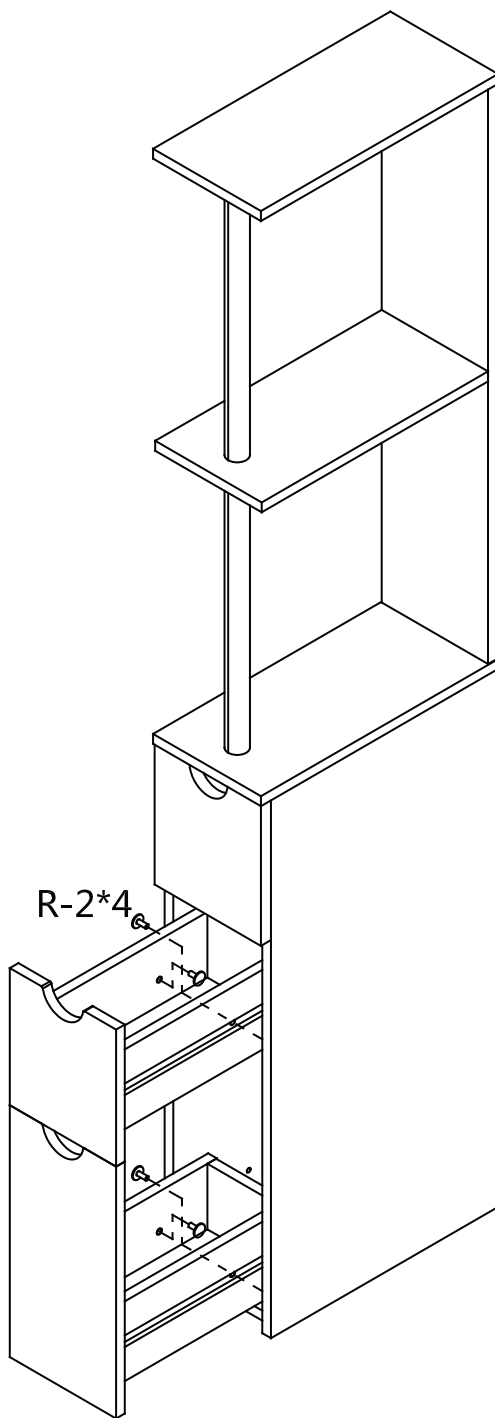
14



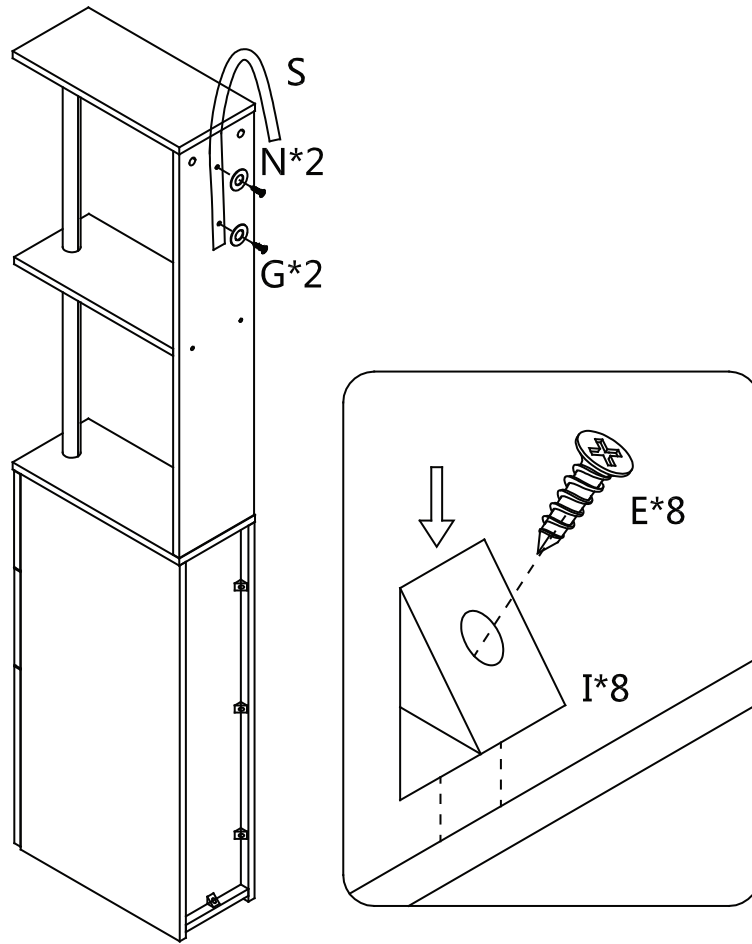
15



16



17



18

