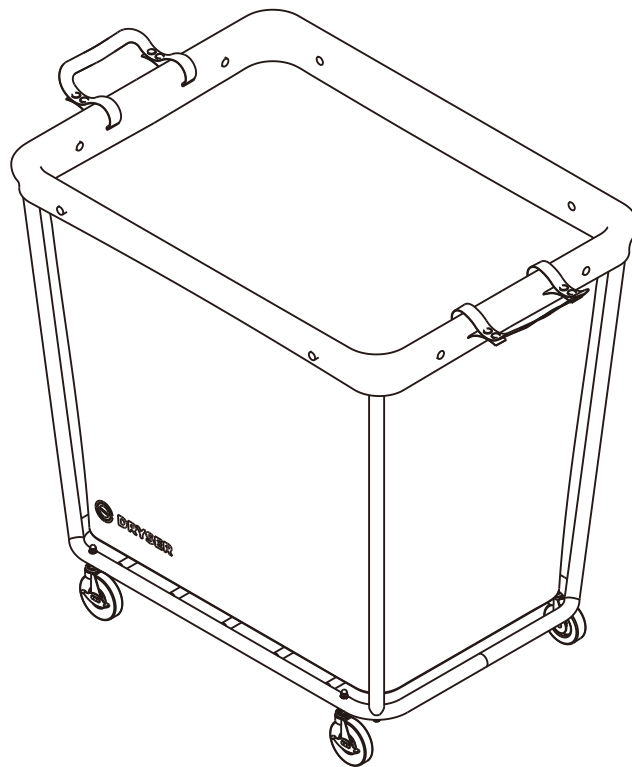




DRYSER

**Large Commercial Heavy-Duty
Rolling Laundry Hamper**

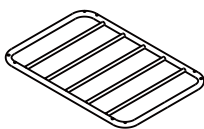


Model # LND-320L

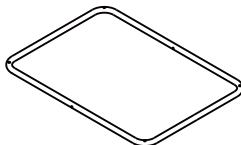
Parts

Tools

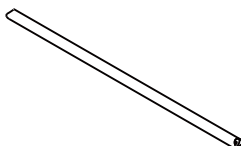
A. Base



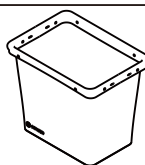
B. Top Frame



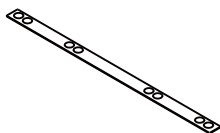
C. Support Poles (4)



D. Canvas Bag



E. Handles (2)



F. 3" Wheels (2)



G. 3" Locking Wheels (2)



I. Screws (8)



J. Spring Washers (8)



K. Nut (4)



L. Spacer (12)



M. Flat washers (4)



N. Hex Key



H. Large Wrench



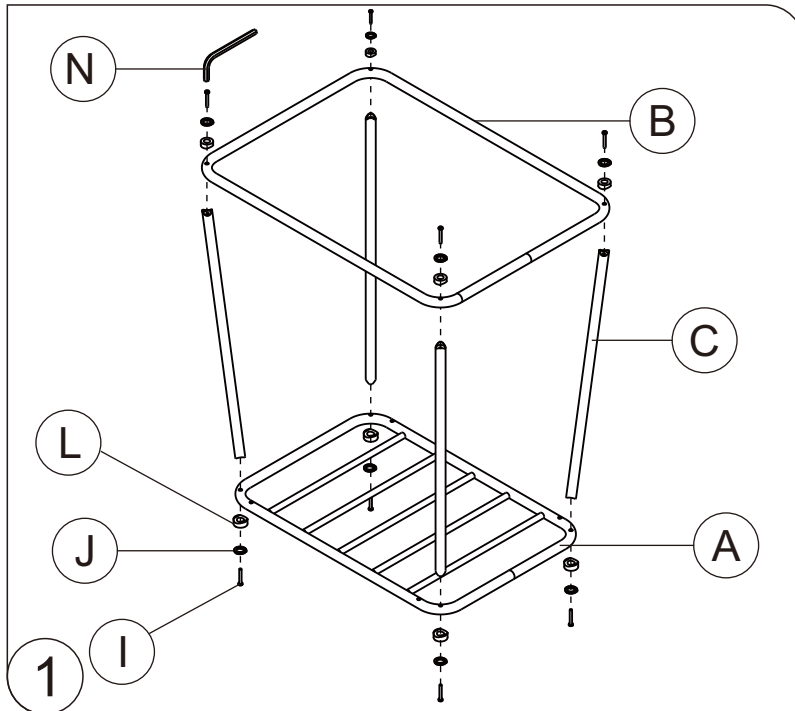
O. Small Wrench



Please make sure you have all the parts and tools on this list.

STEP 1

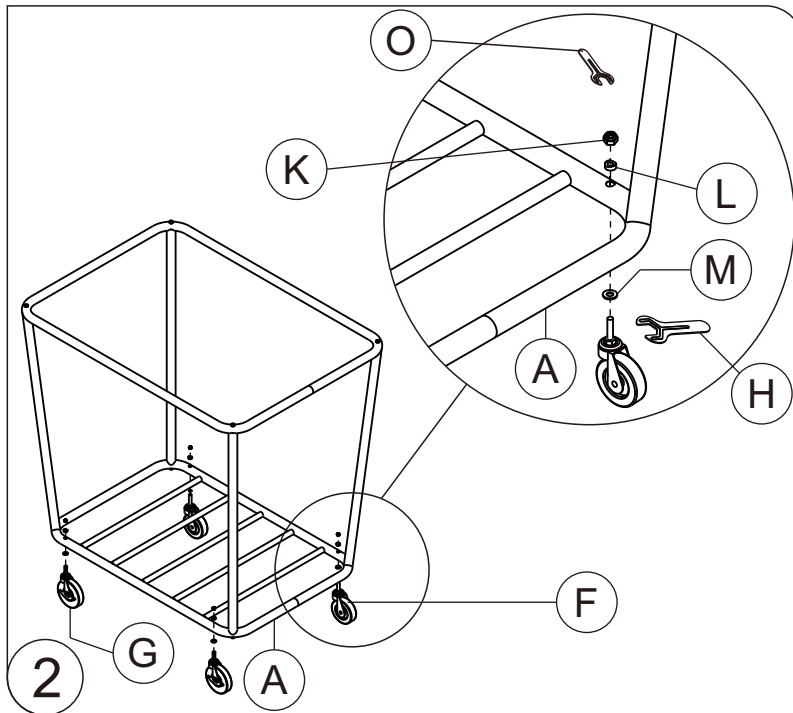
Assemble on a flat level surface. Secure the upper frame (B), the base (A), and the four-support pole (C) together using the screws (I), Spacer (L), spring washers (J) and the included Hex key (N).



STEP 2

Attach the Wheels (F) and Locking Wheels (G) assembly through the hole at the bottom of the lower frame(A) with Nut (K), spacer(L) and flat washer (M).

Locking them firmly by using the included Wrenches (H&O)

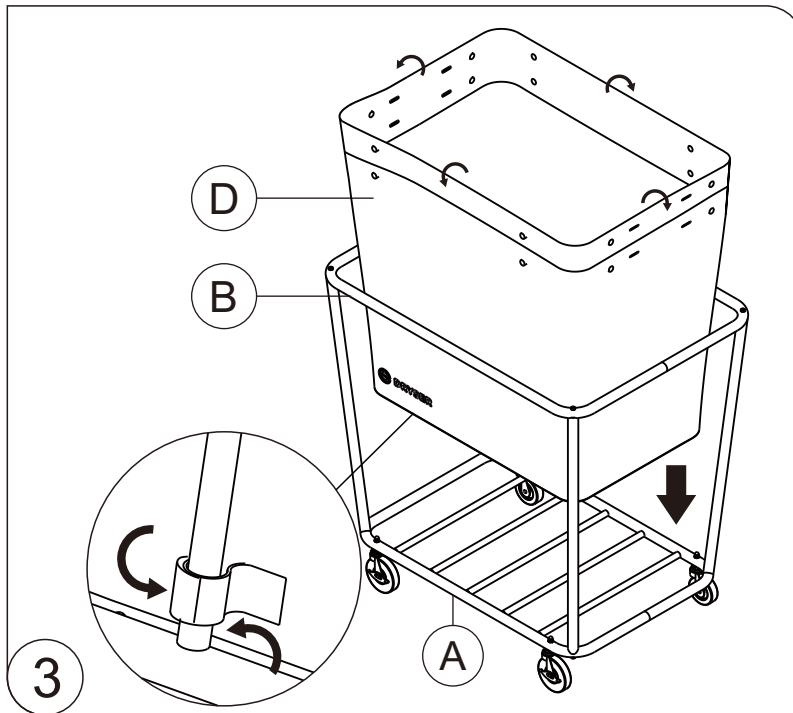


STEP 3

Place the Canvas Bag (D) into the frame. Fold the Bag (D) top liner over the Top Frame (B).

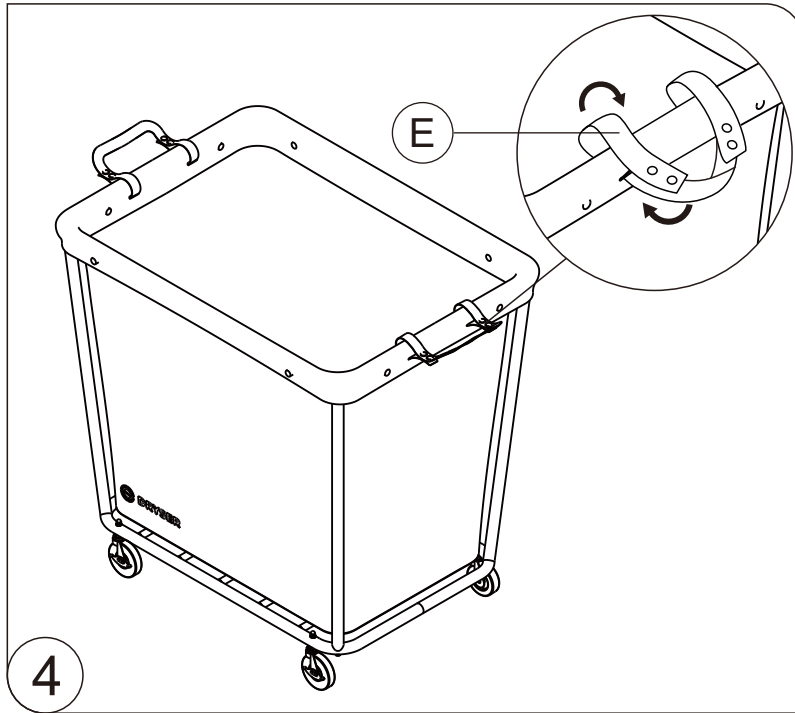
Fasten buttons on the bag to secure.

Attach the Velcro tape on the bottom of the bag onto the vertical tubes of the bottom frame (A) to secure the bag.



STEP 4

Fit the ends of each HANDLE (E) through the slits on the bag. Button together to finish.



Use Instructions

- Ensure all parts are secured.
- Always lock the wheels to keep the cart from rolling while being loaded.
- Load up to 100 lbs. into the bag.
- Unlock the wheels and use the handles to move the cart.
- **DO NOT STAND IN BAG OR ON CART FRAME**

Cleaning Instructions

- Remove the bag from the top frame
- Remove the handles from hamper.
- Unbutton and unfold the top of the bag liner.
- Lift the bag liner and remove from the basket.
- **Refer to the care instructions in the bag**

DO NOT machine wash or dry the bag liner or bag.

DO NOT iron the bag liner or bag.

DO NOT overload the bag with more than 100 lbs.

DO NOT use the cart if wheels are damaged or worn.