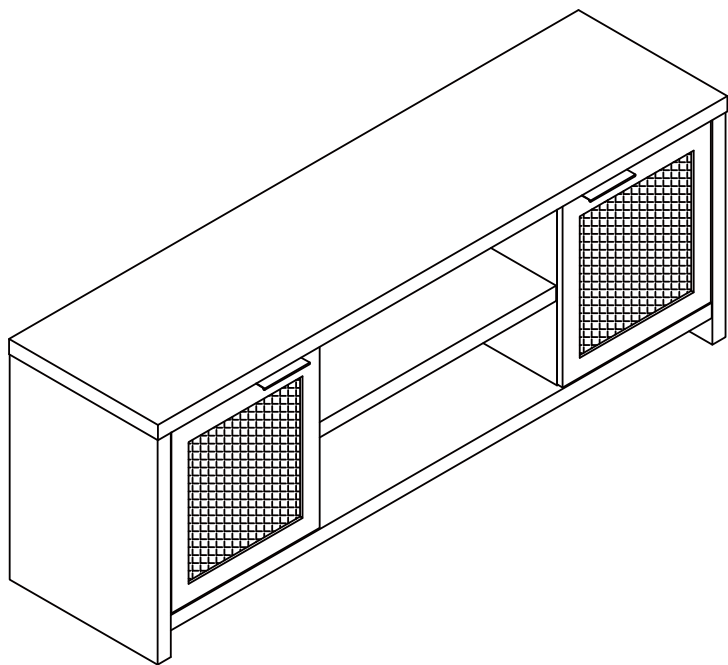
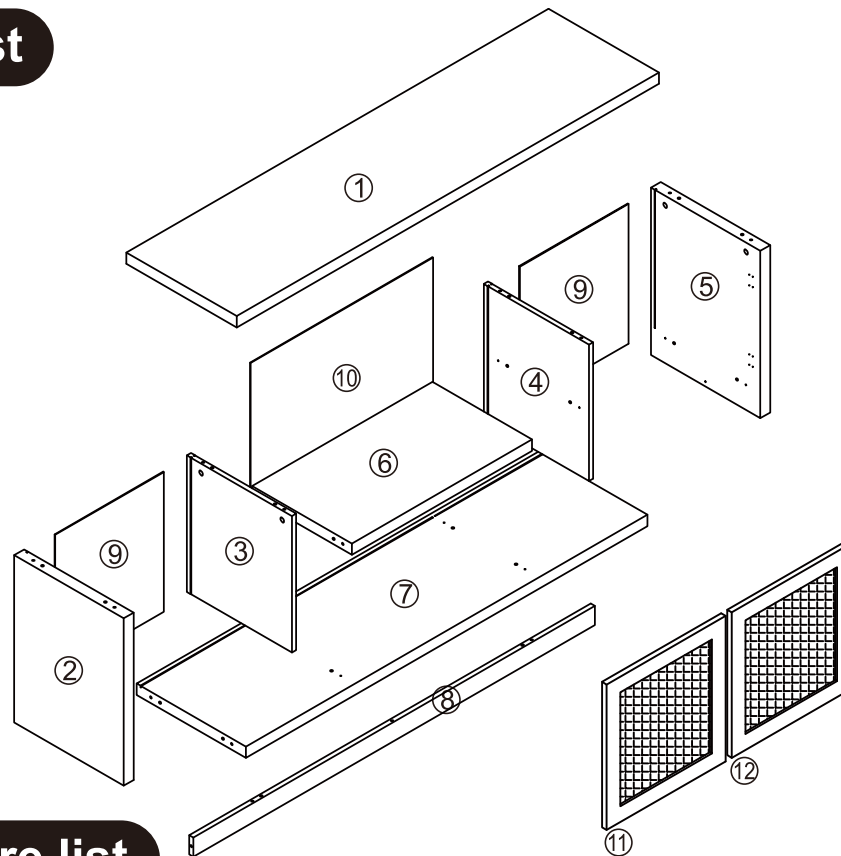


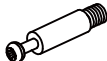










Installation & Assembly



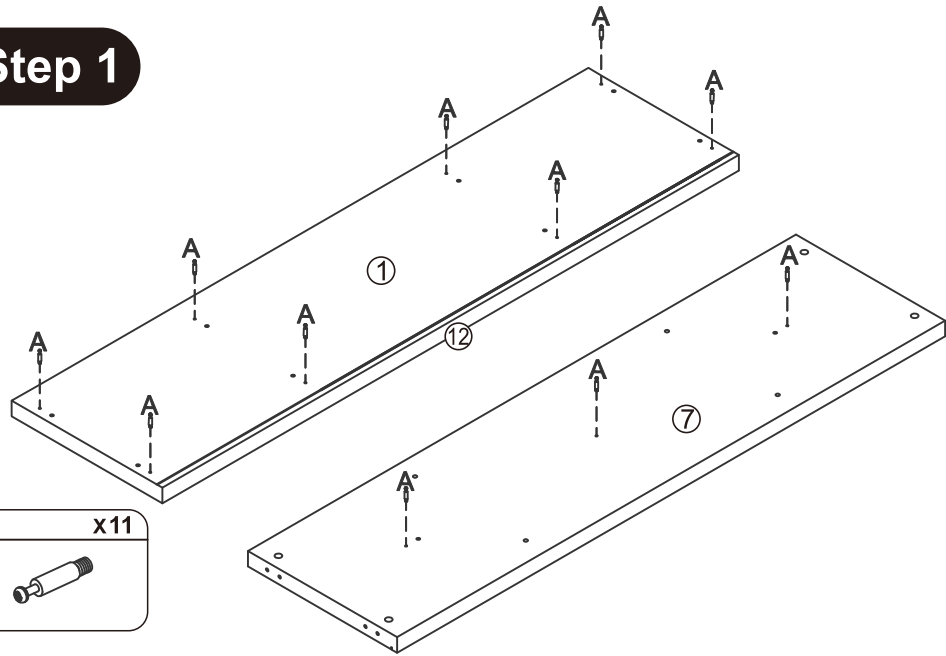
Parts list



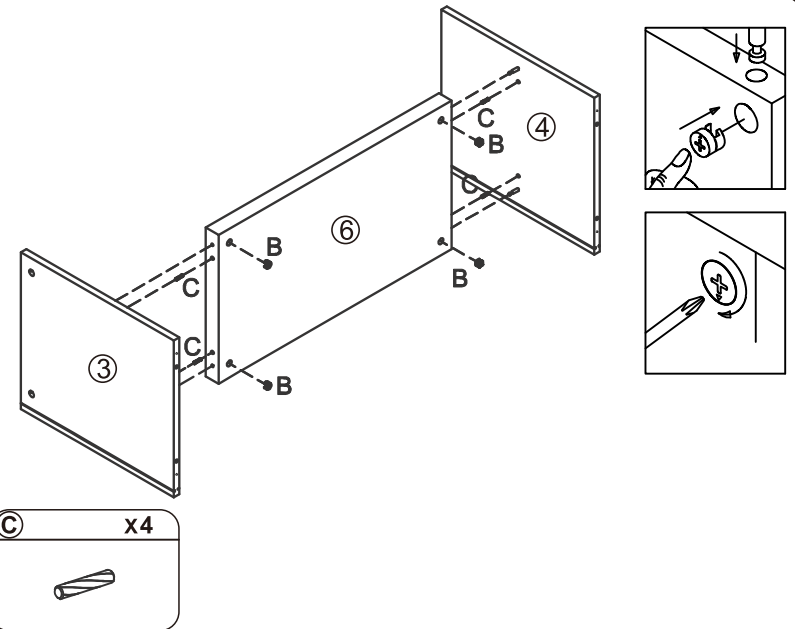
Hardware list

| | | | | |
|---|---|---|--|---|
| A x21  | B x21  | C x22 ϕ 8*30MM  | D x4 M4*50  | E x4 M3*12  |
| F x2  | G x12  | H x12 M3*16  | I x4 ϕ 26  | J x24 M3.5*14  |
| K x21  | | | | |

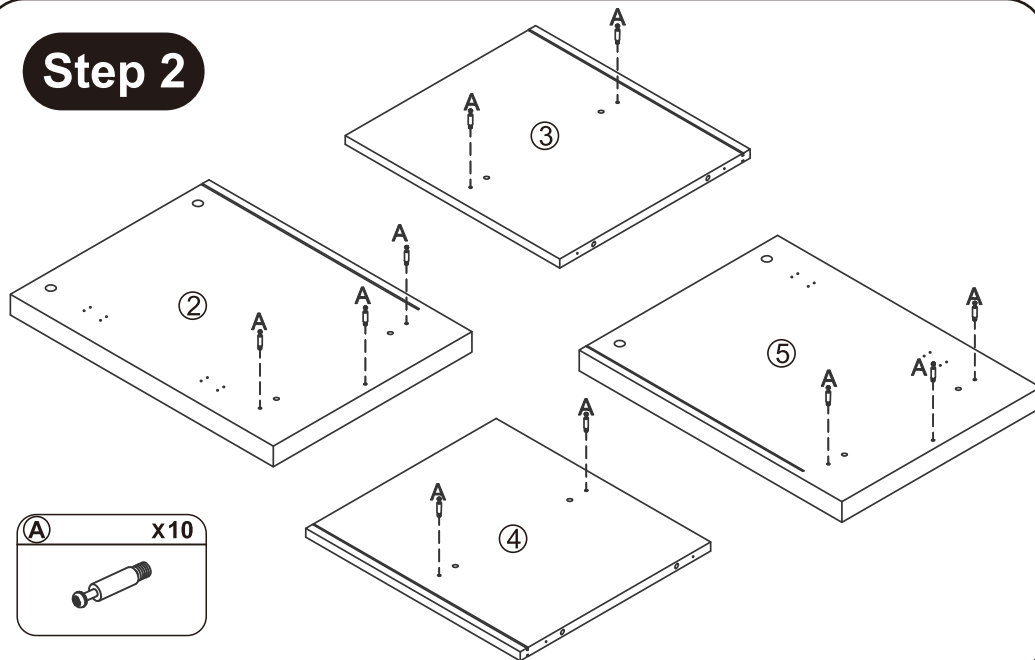
Step 1



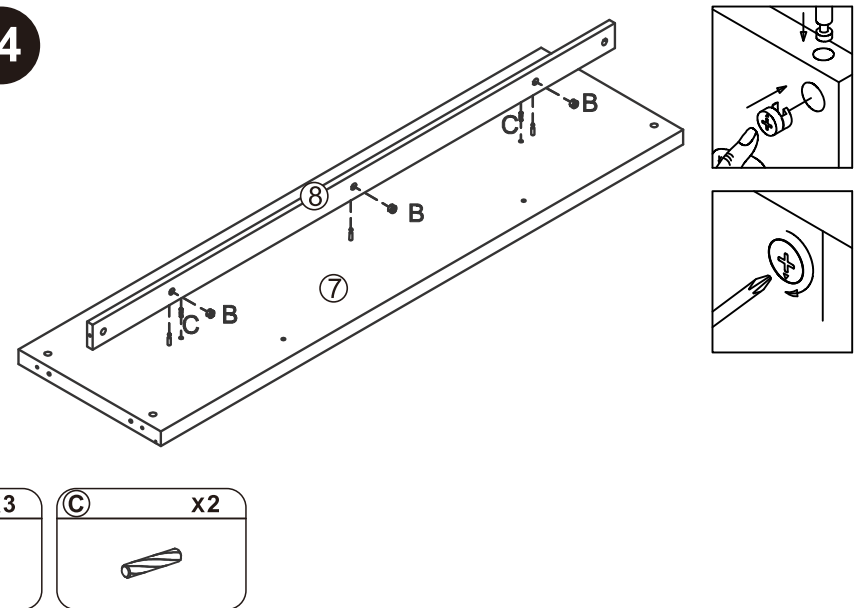
Step 3



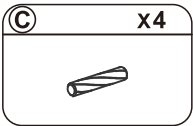
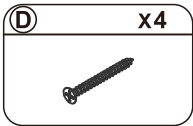
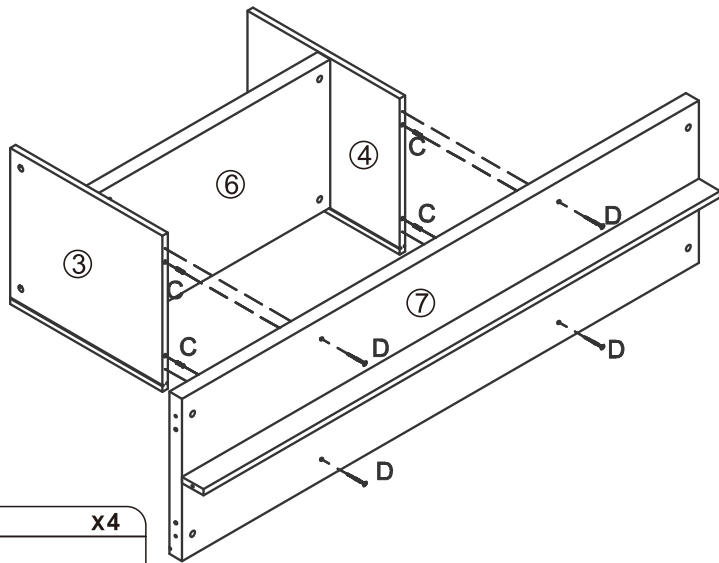
Step 2



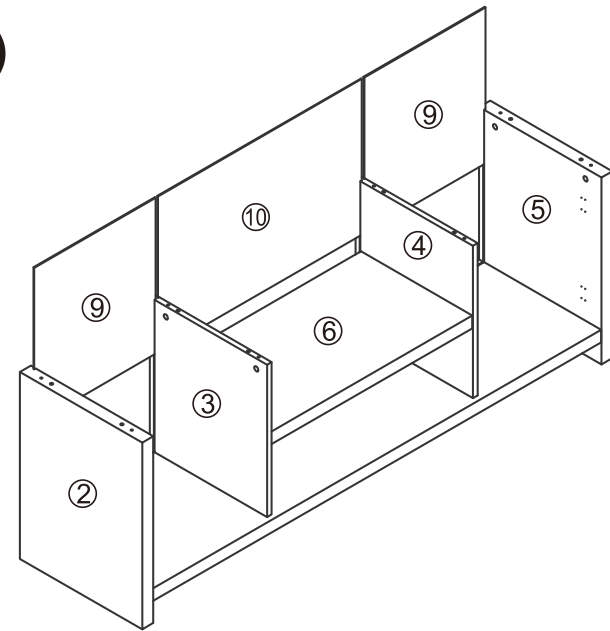
Step 4



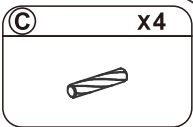
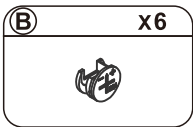
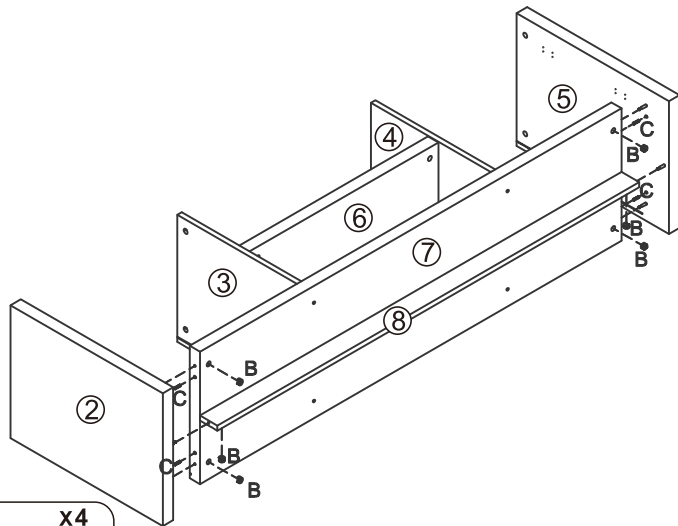
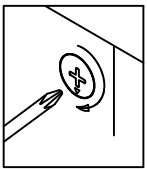
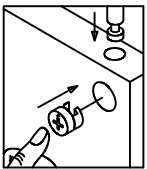
Step 5



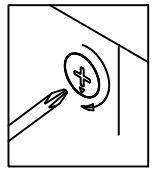
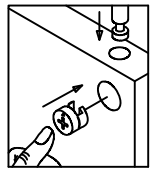
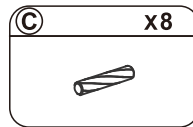
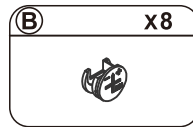
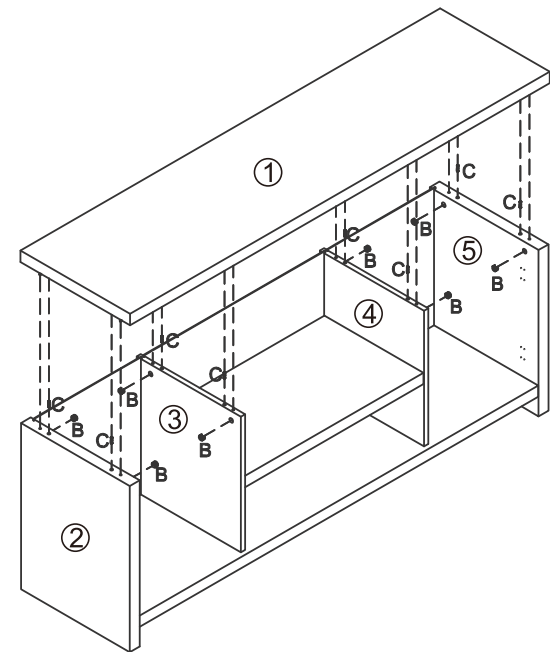
Step 7



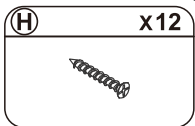
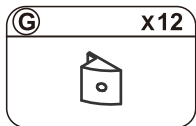
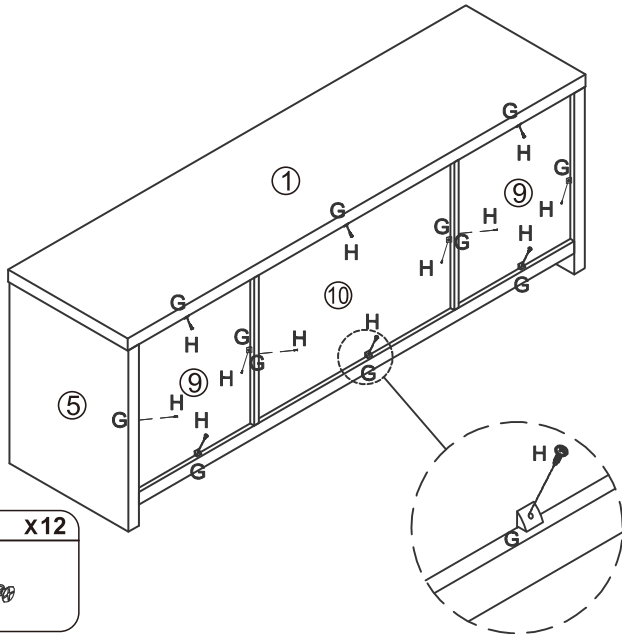
Step 6



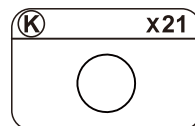
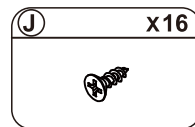
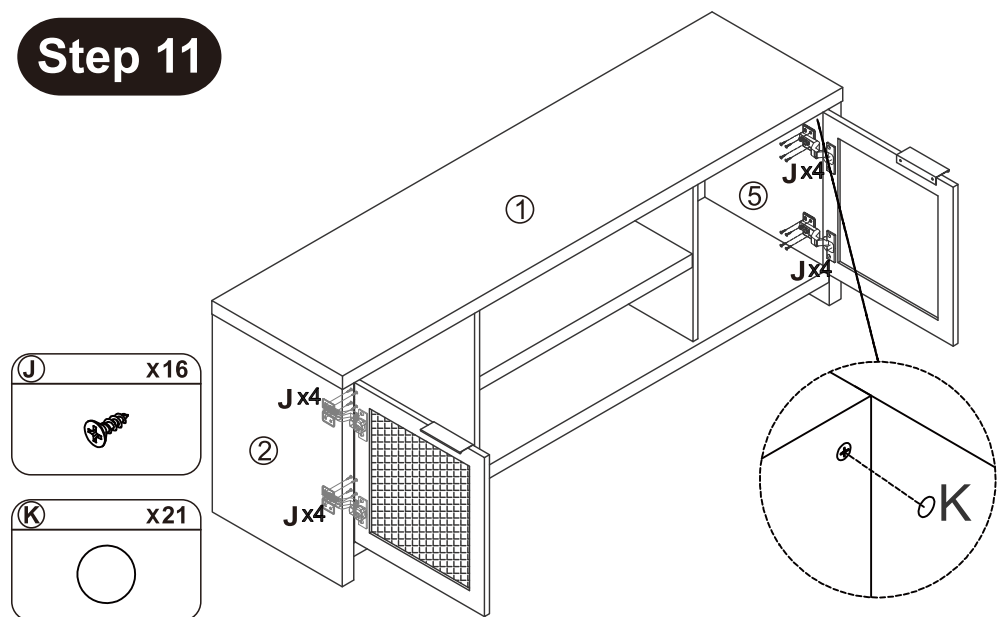
Step 8



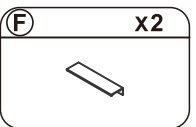
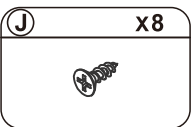
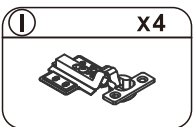
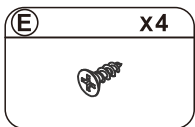
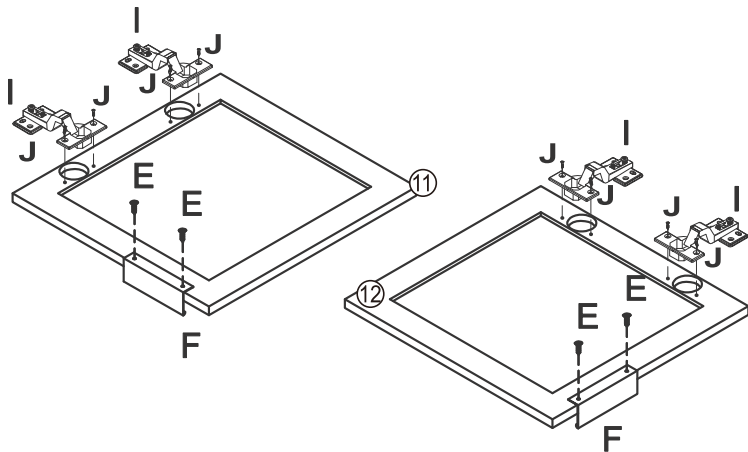
Step 9



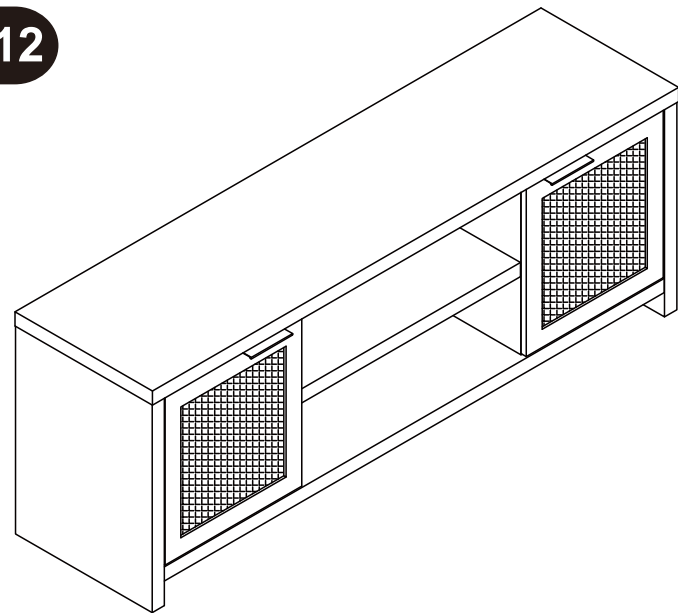
Step 11



Step 10



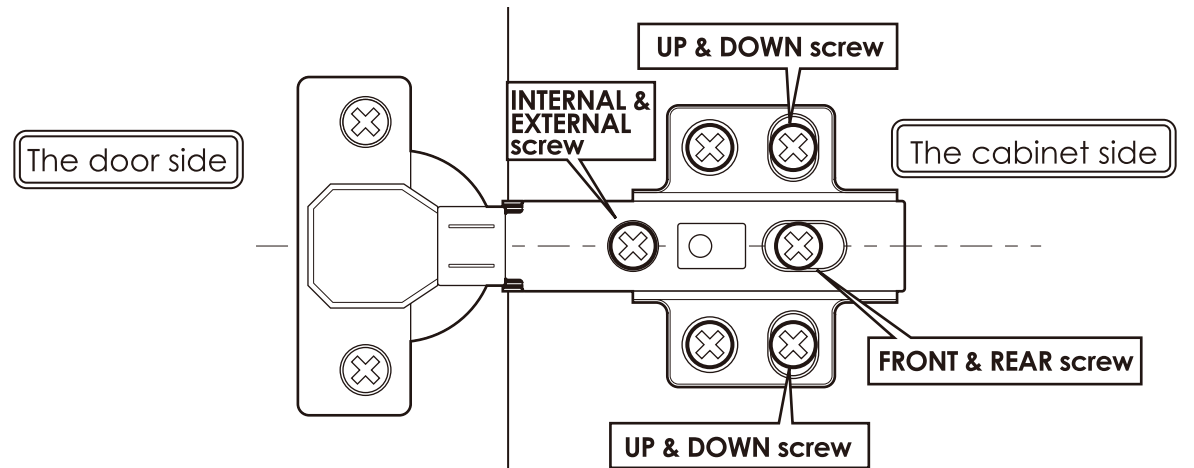
Step 12



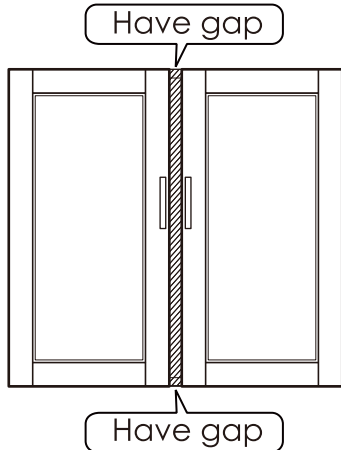
Adjusting the door

- Before adjusting the hinge, please check whether the cabinet is skewed.
- If the skew can not be repaired, please remove the anti-tipping device first, then adjust the cabinet to vertical position.
- Please adjust the hinge with the door open.
- Please operate it with more than 2 people, one person holds the door and the other one adjusts the screw.

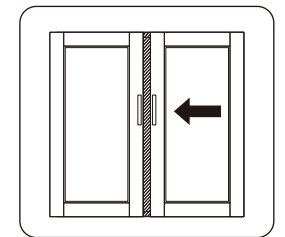
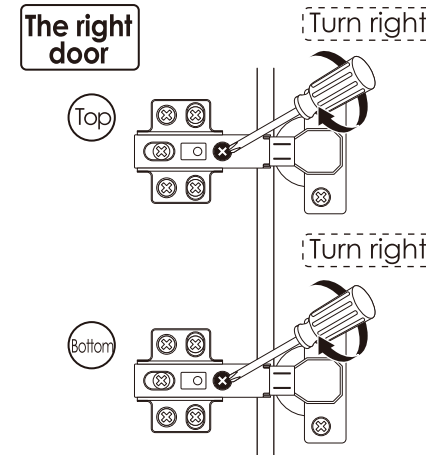
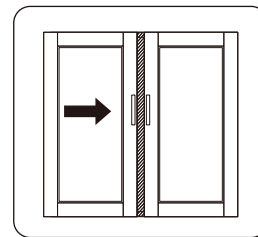
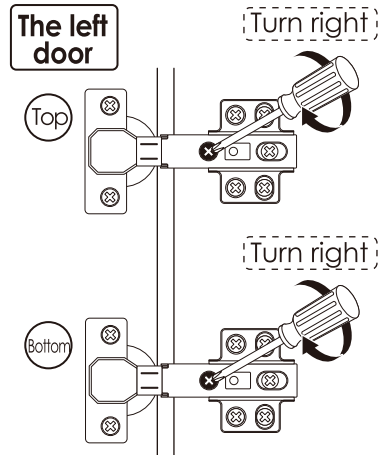
Components Name



Obvious gaps between doors or Doors don't look closed



1 Turn "internal & external screw" to the right can make the door approach inside. Please adjust the doors little by little.



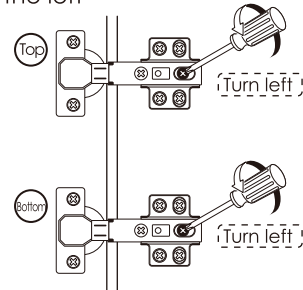
※ If the 2 doors are overlap, please turn the "internal & external screw" to the left.

When door is crooked



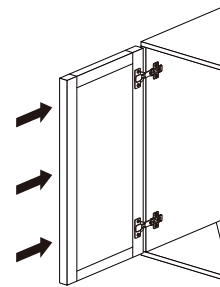
Please take the following steps to adjust first.

1 Rotate the "front and rear screws" to the left

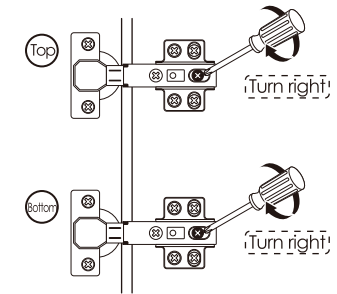


※ After adjusting the "front and rear screw", the door still does not change, please turn the "internal & external screw" to the right Slightly.

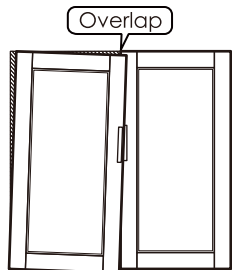
2 Push the door to the cabinet



3 Rotate the "front and rear screws" to the right

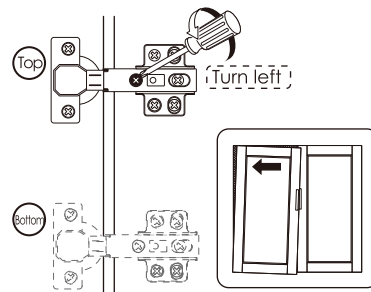


When door is leaning

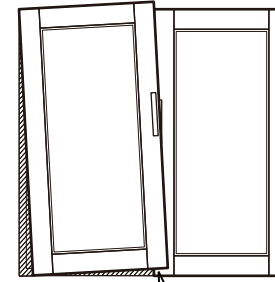


Protruding to the underside

1 Turn "internal & external screw" to the left can make the top of the door tilted outward.

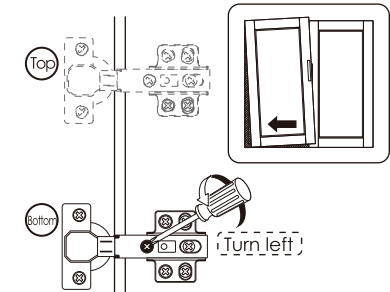


Protruding to the upside

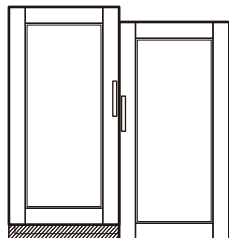


Overlap

1 Turn "internal & external screw" to the left can make the bottom of the door tilted outward.

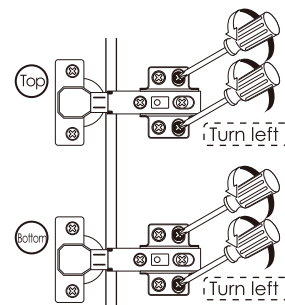


When the door is higher on top

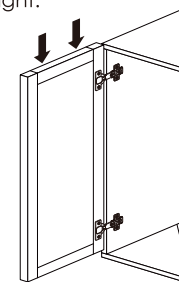


Have gap

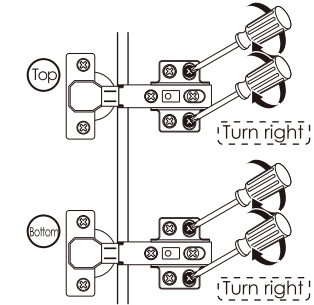
1 Turn "up & down screw" to the left



2 Lower the door's height so that 2 doors are of the same height.

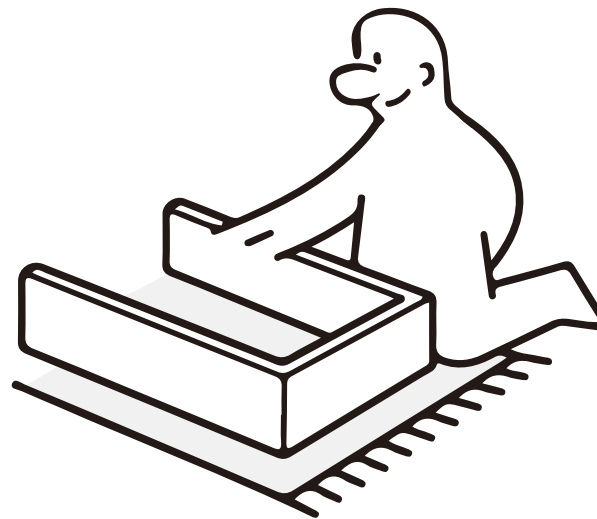
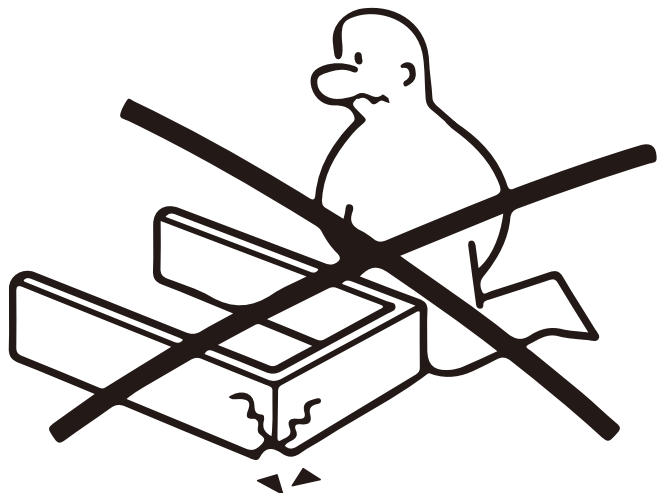


3 Turn "up & down screw" to the right



※ If the door is lower on bottom, please lift up the left door slightly on step 2

※ **Stay Scratch-Free: Safeguard Your Furniture by Assembling on Carpet.**



※ **Stuck in Assembly Limbo? Check out our website or contact our support team for quick solutions!**

