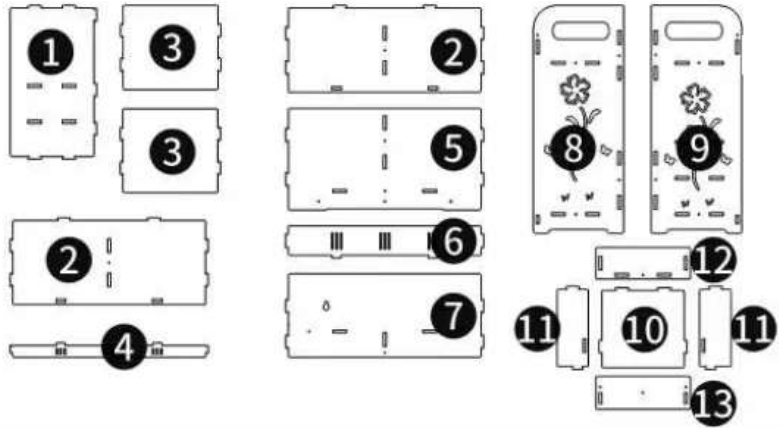
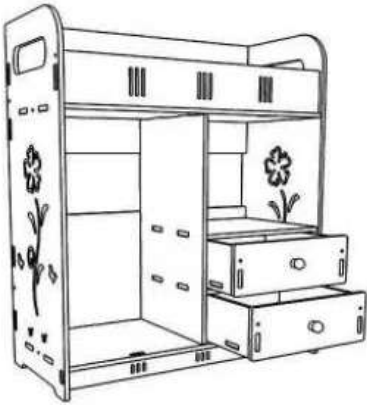


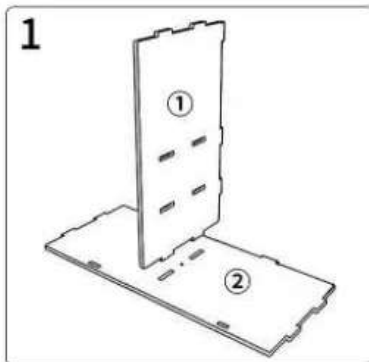
# Installation instructions

Product name: Bathroom double pull flexion rack

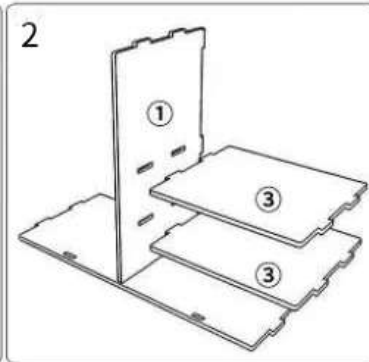
Accessories: Screw screwdriver handle



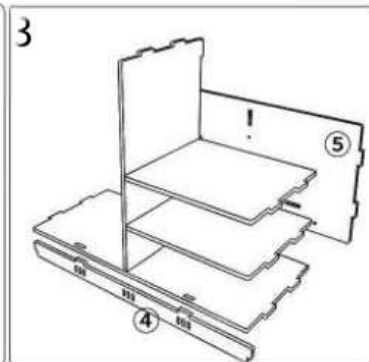
Please assemble in sequence according to plate number, and tighten screws after assembling.



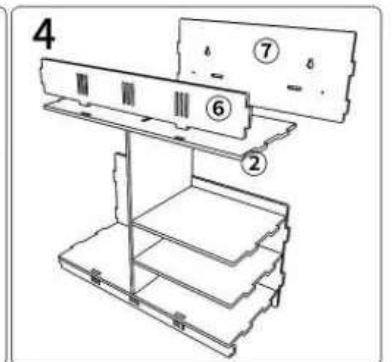
Step 1: insert the ① and ② numbers together



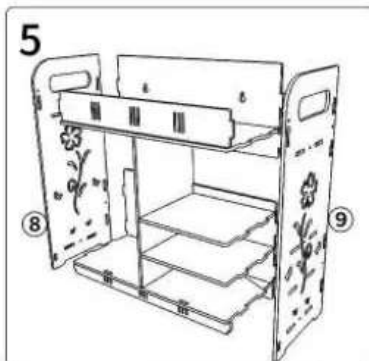
Step 2: Install No.3 as shown



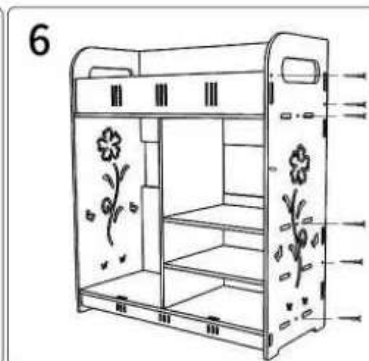
Step 3: Install ④⑤ under and behind no.2 respectively



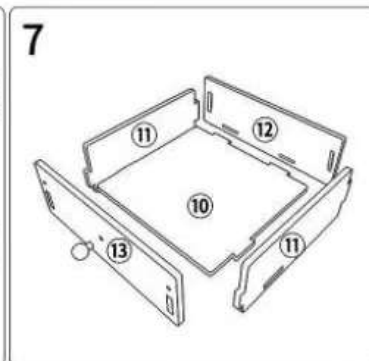
Step 4: Insert no. 2 above no. ① and install No. 6



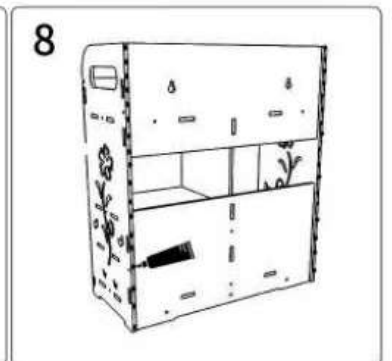
Step 5: Assemble side plate no. 89



Step 6: Rack assembly is complete



Step 7: Assemble the flex in numerical order



Step 8: Glue evenly in the way of dot beans

Reinforce the screws on the reserved holes

After installation, let stand for 36 hours before use