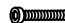





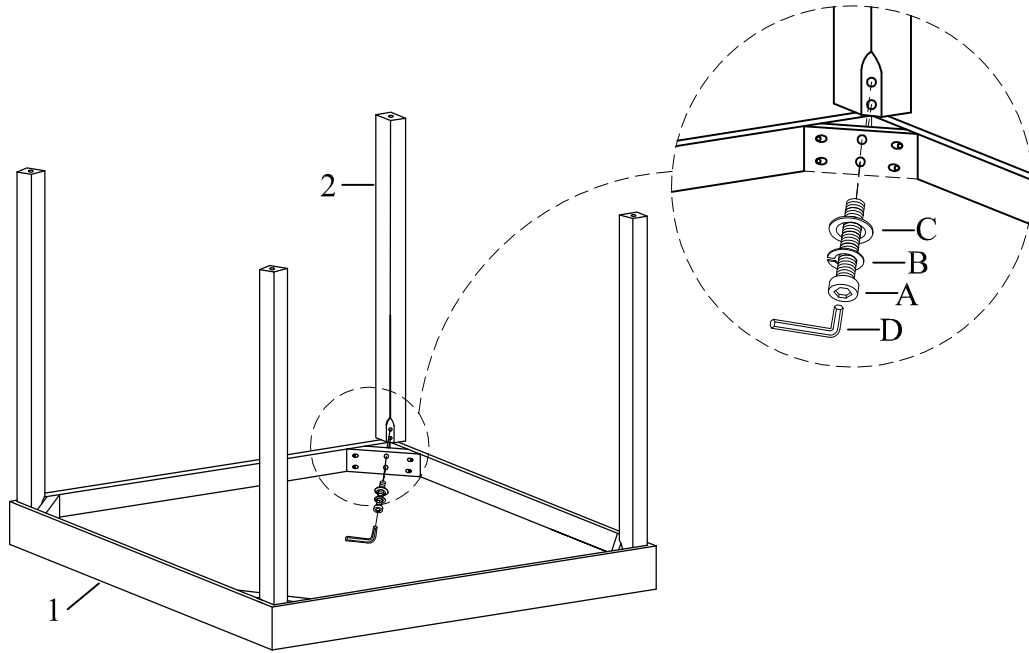
Assembly Instruction for DINING TABLE

PART LIST		
No.	PART DESC	Q'TY
1	TOP	1
2	LEGS	4

HARDWARE LIST			
NO.	HARDWARE DESC	CODE.	Q'TY
A	 ALLEN BOLT (5/16"x57mm)		8
B	 SPRING WASHER(5/16")		8
C	 FLAT WASHER (5/16"x 22mm)		8
D	 ALLEN KEY(M5)		1

NOTES : Do not fully tighten any bolts until last step.

STEP : 1



COMPLETED

