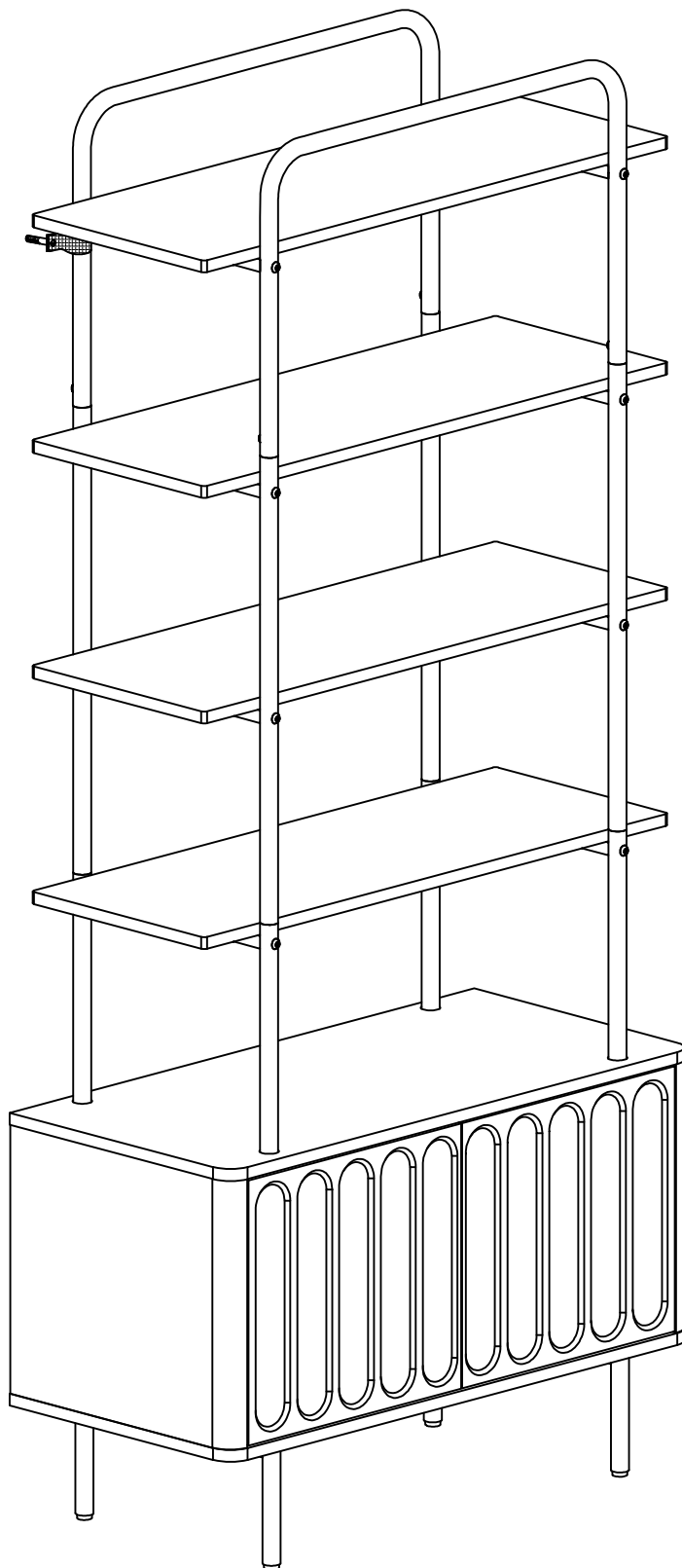
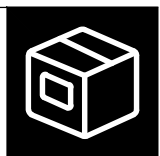
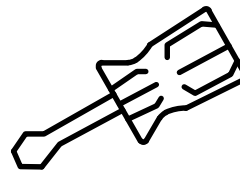
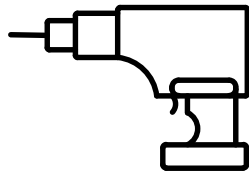
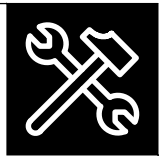
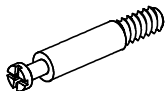



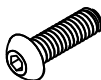
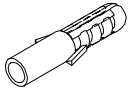

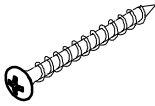
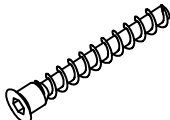

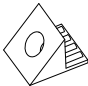




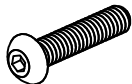
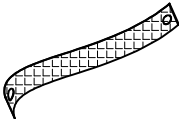
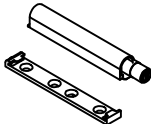


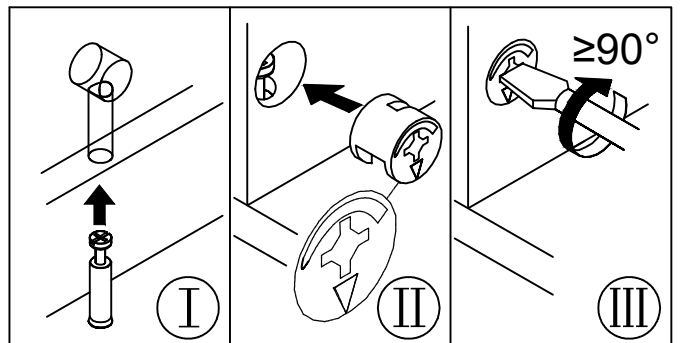
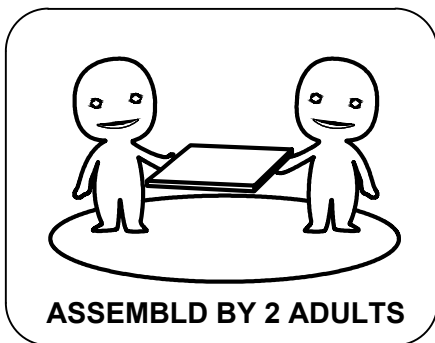
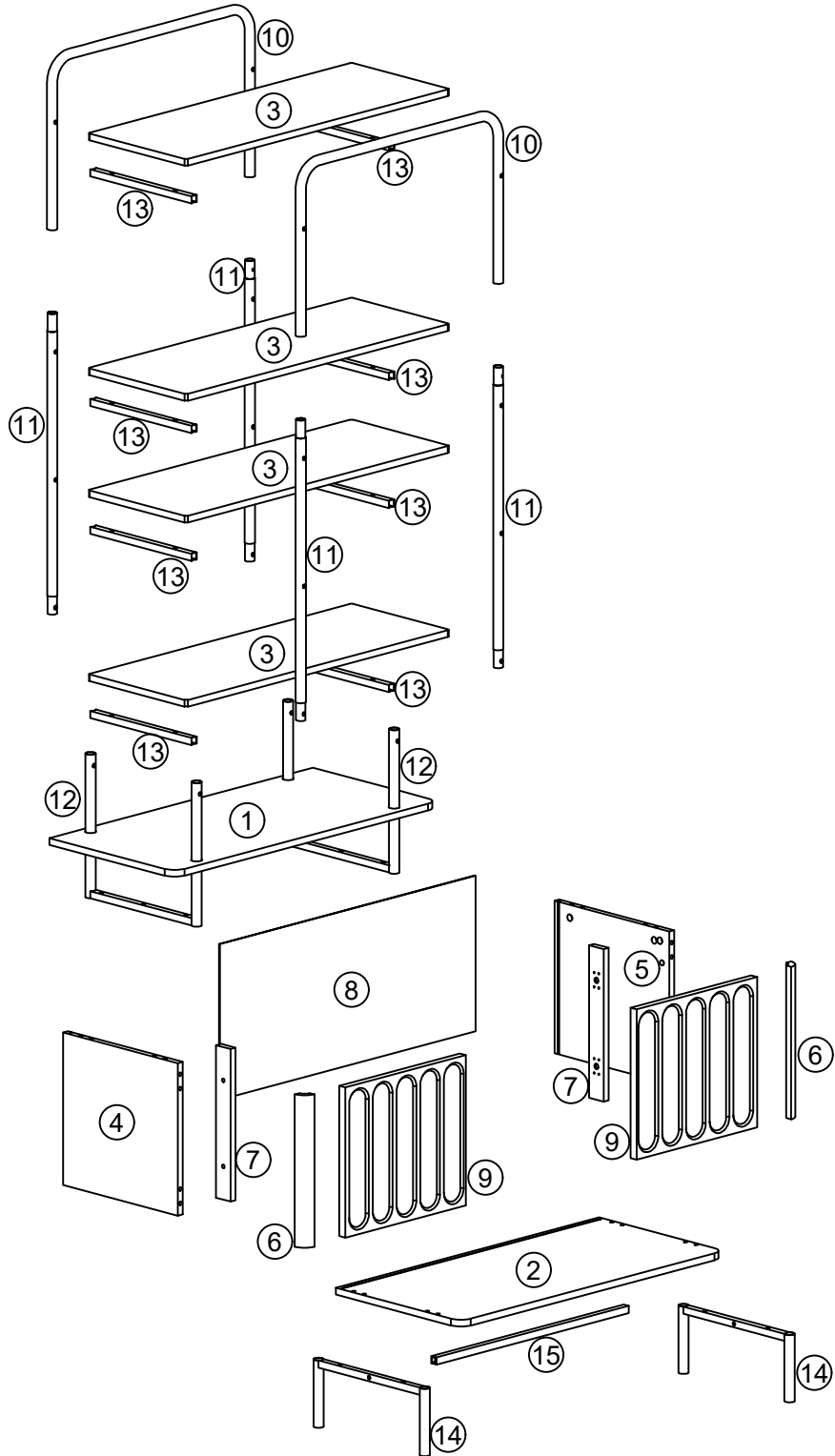
# Installation & Assembly

---

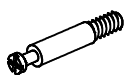




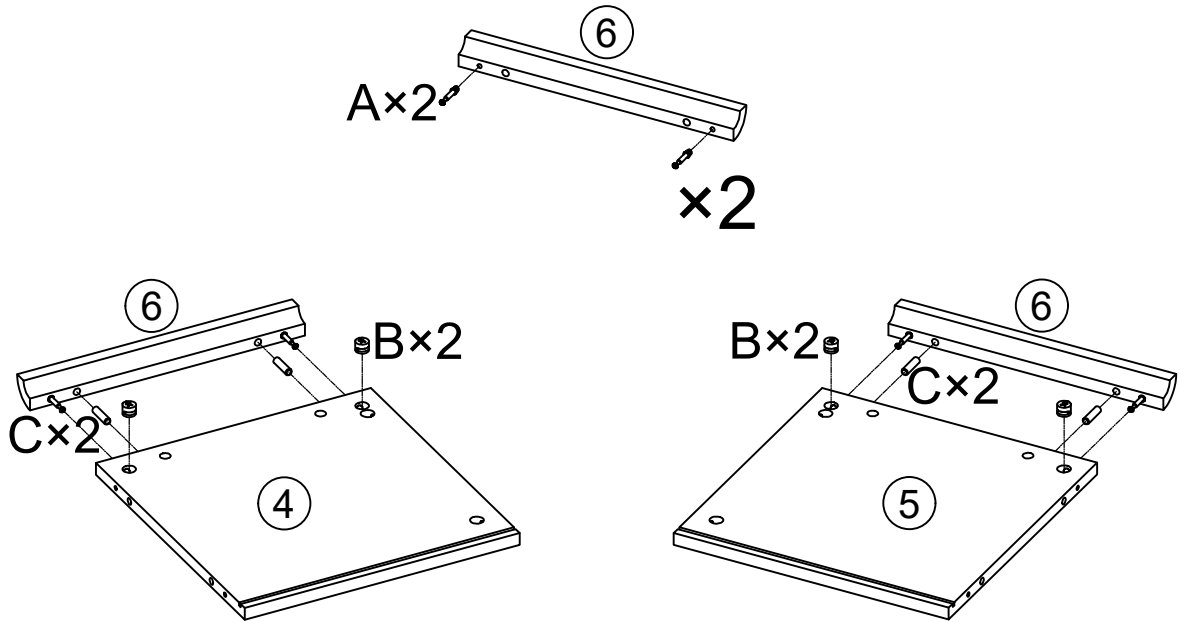


A×8PCS	B×8PCS	C×12PCS	D×32PCS	E×28PCS
 M6×35mm	 Ø15×12mm	 Ø8×30mm	 Ø3.5×12mm	 M6×25mm
F×2PCS	G×4PCS	H×2PCS	I×4PCS	J×4PCS
		 Ø4×35mm	 Ø6×50mm	 M6×25mm
K×4PCS	L×1PC	M×4PCS	N×4PCS	O×8PCS
	 M4mm		 M6×12mm	
P×16PCS	Q×2PCS	R×2PCS		
 M6×35mm				






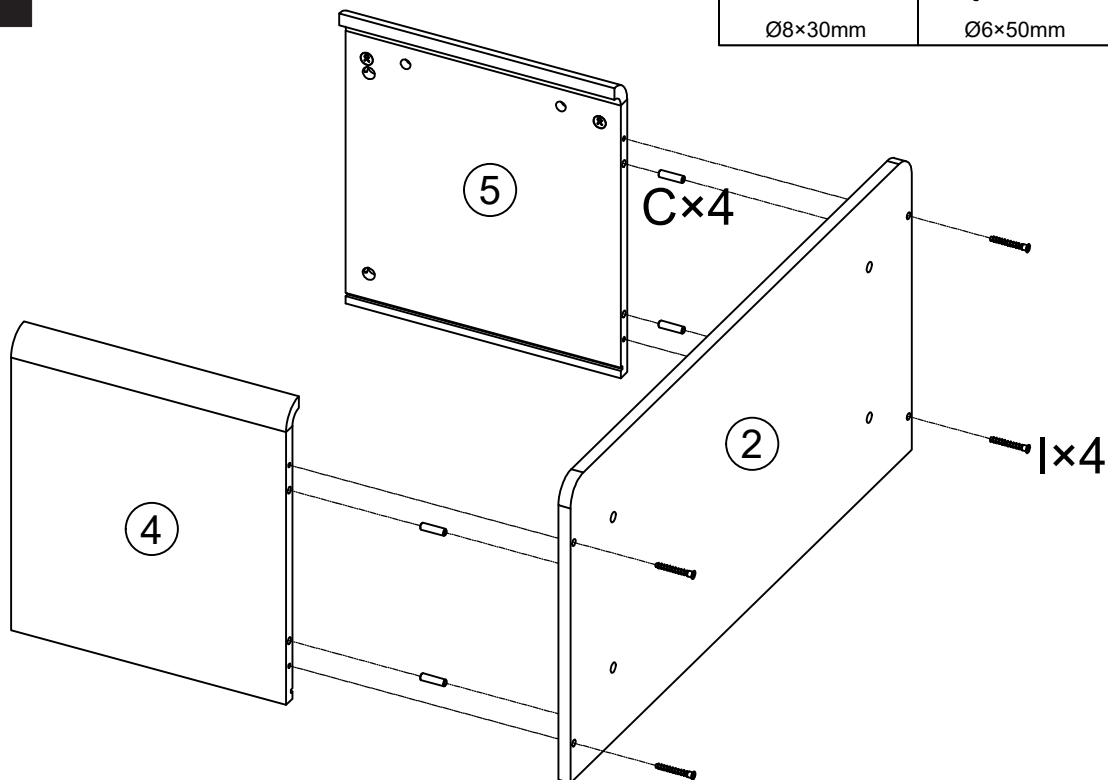
1.



A×4PCS	B×4PCS	C×4PCS
		
M6×35mm	Ø15×12mm	Ø8×30mm



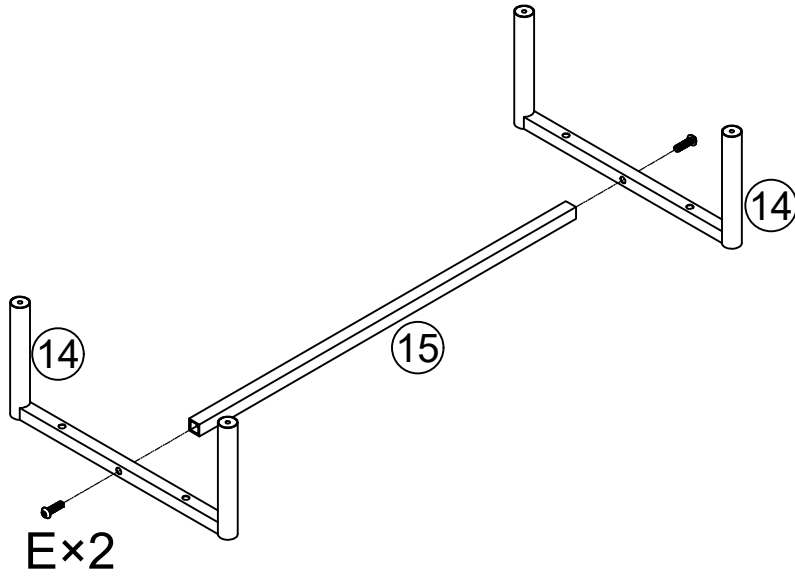
2.




C×4PCS	I×4PCS	L×1PC
		
Ø8×30mm	Ø6×50mm	M4mm



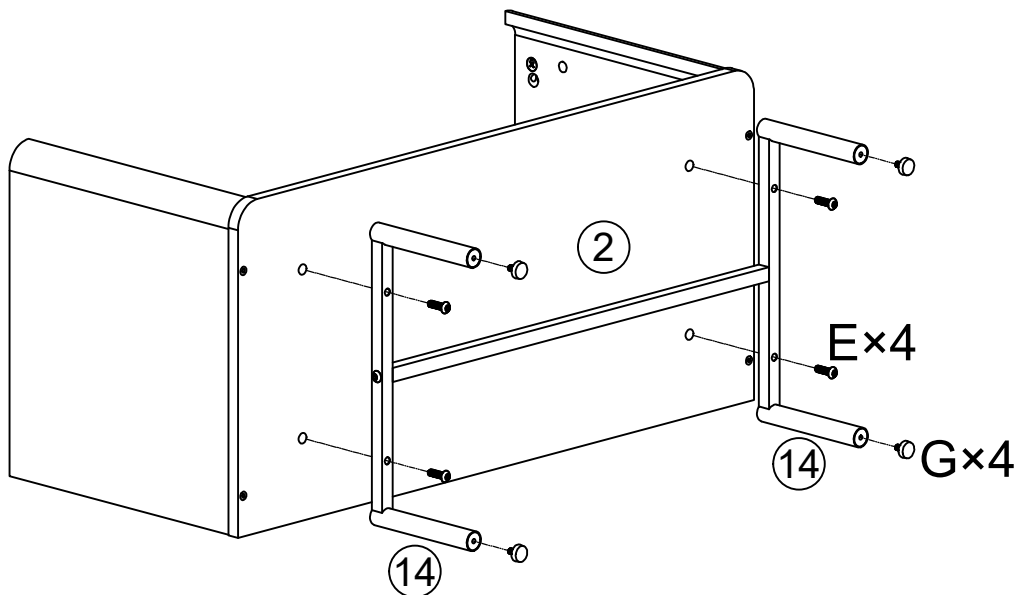
E×2PCS	L×1PC
	
M6×25mm	M4mm

3.

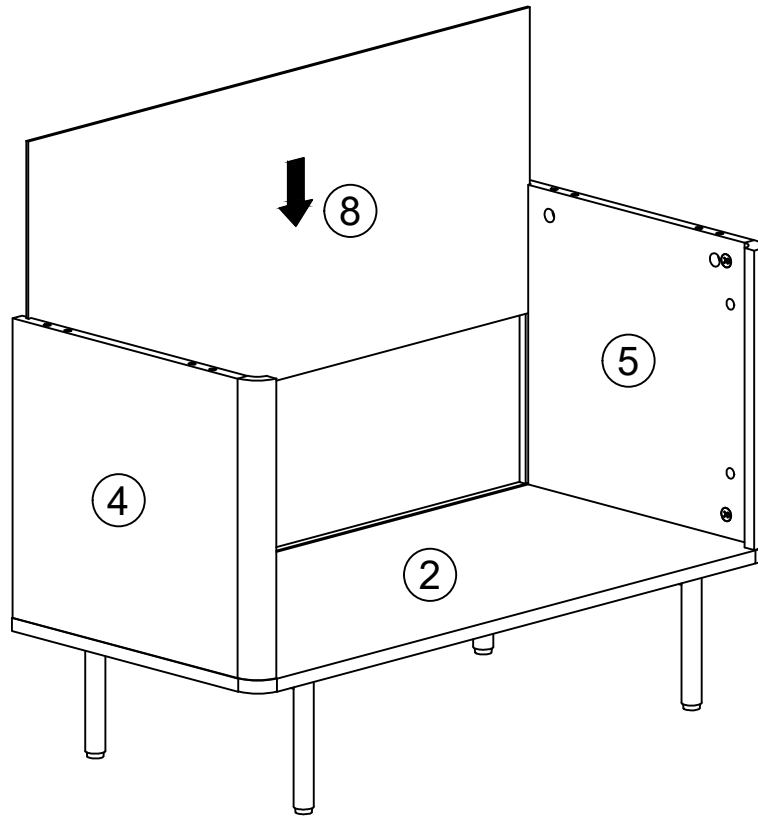


E×4PCS	G×4PCS	L×1PC
		
M6×25mm		M4mm

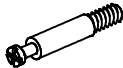

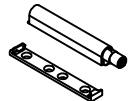
4.

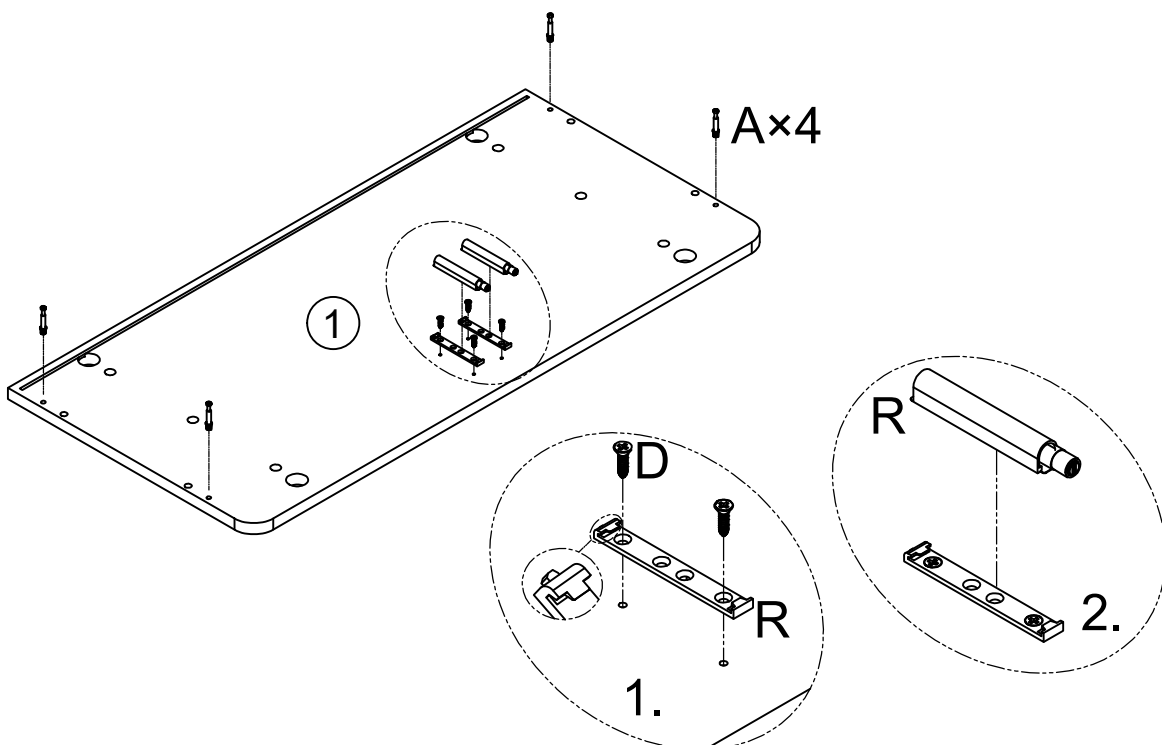




5.



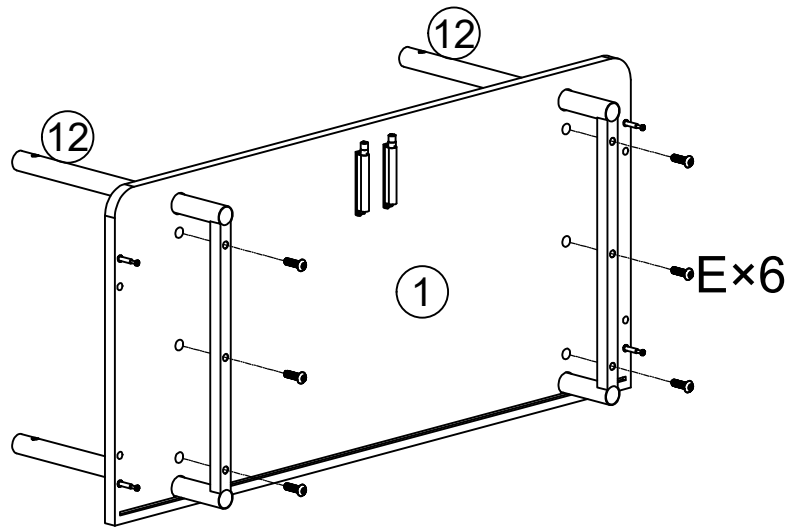
6.




A×4PCS	D×4PCS	R×2PCS
		
M6×35mm	Ø3.5×12mm	



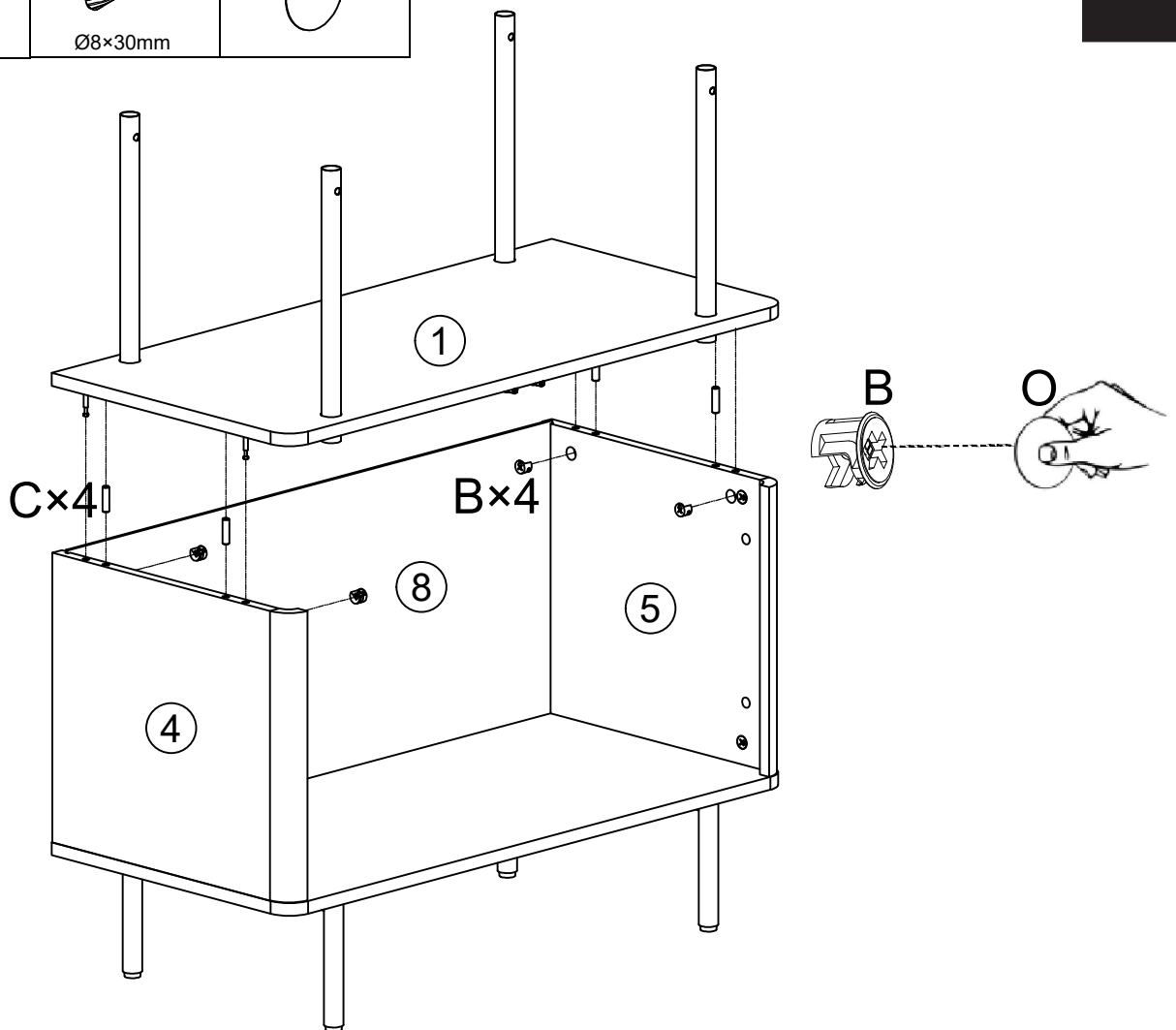
E×6PCS	L×1PC
	
M6×25mm	M4mm

7.



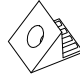



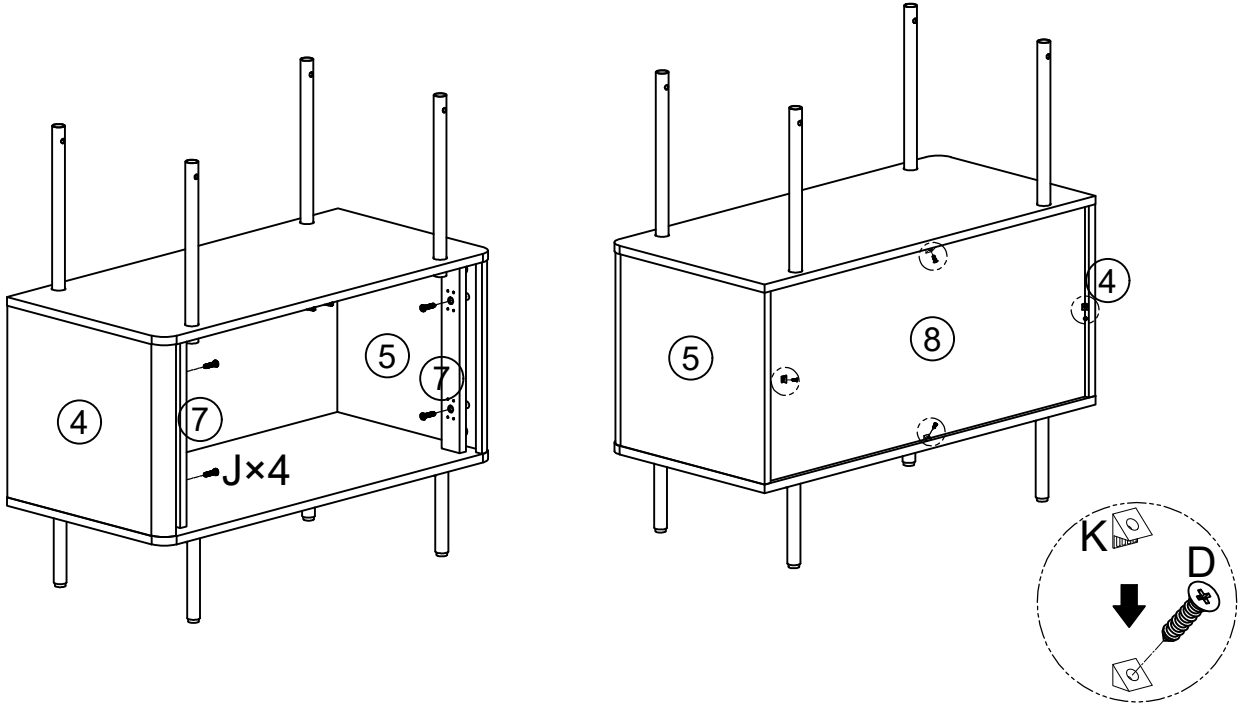
B×4PCS	C×4PCS	O×8PCS
		
Ø15×12mm	Ø8×30mm	

8.


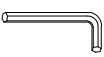


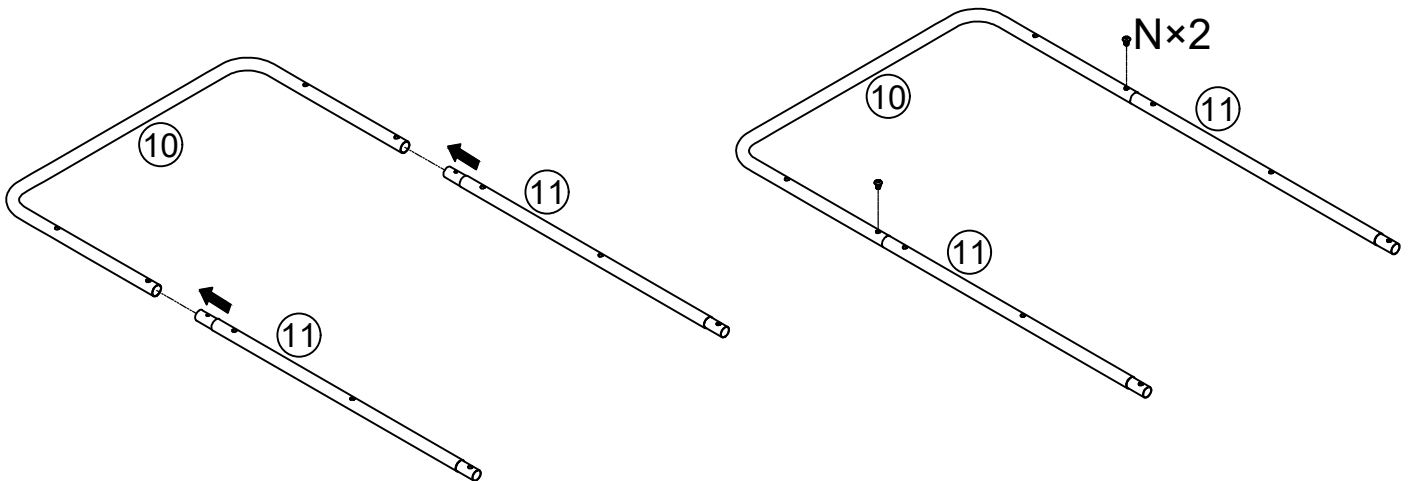
9.

D×4PCS  Ø3.5×12mm	J×4PCS  M6×25mm	K×4PCS 	L×1PC  M4mm
--	---	---	--

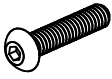



10.

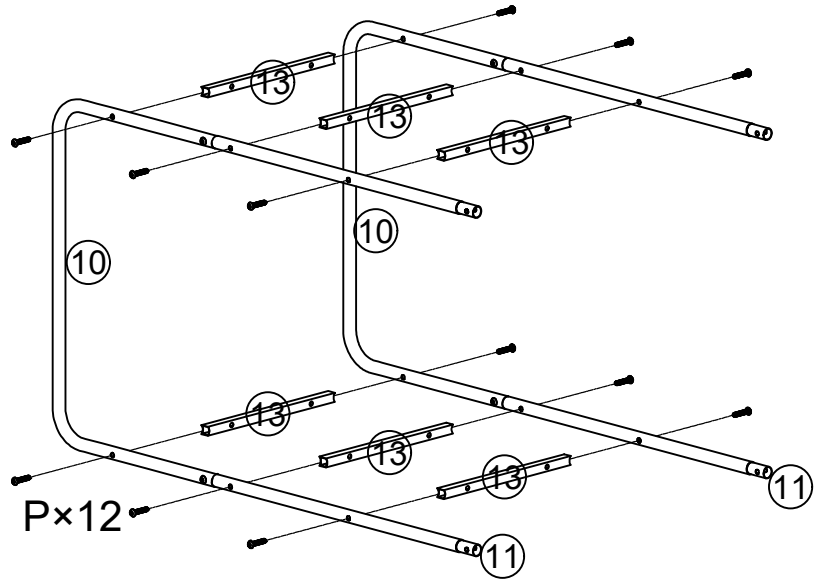
N×4PCS  M6×12mm	L×1PC  M4mm
--	--



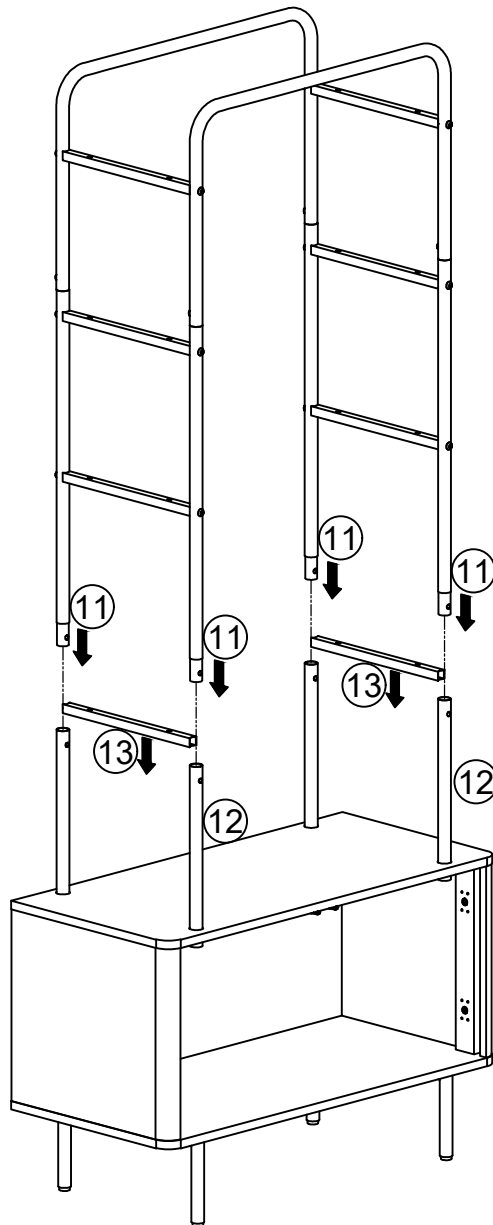
×2

P×12PCS	L×1PC
	
M6×35mm	M4mm



11.

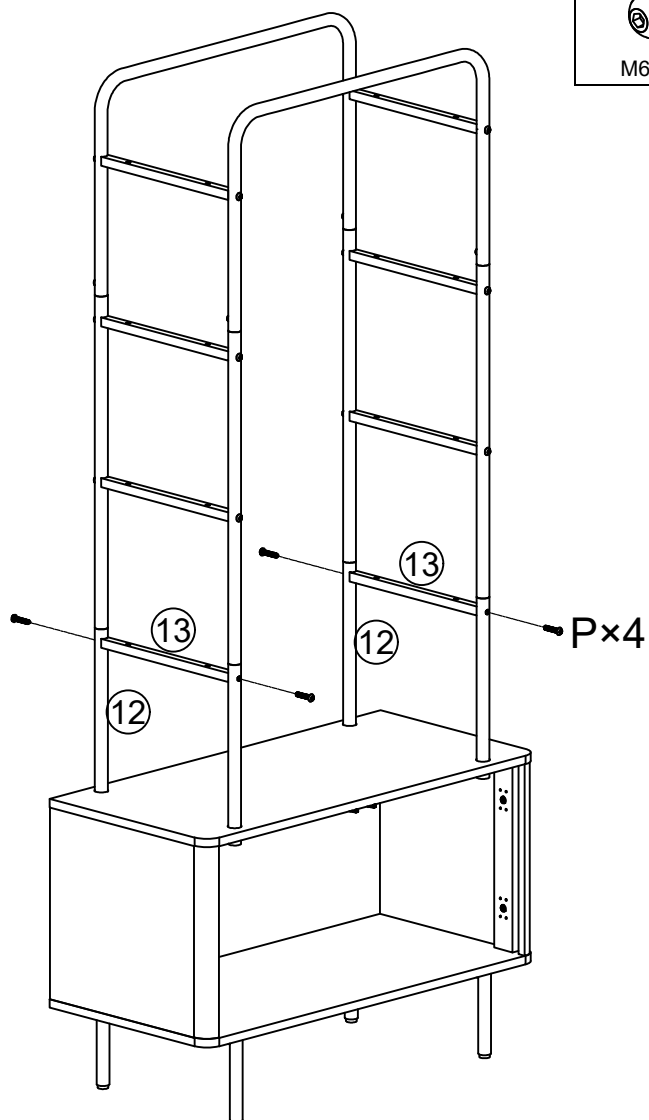


12.


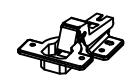


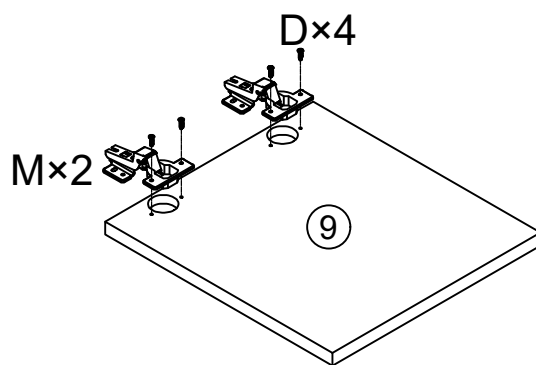
13.

P×4PCS	L×1PC
	
M6×35mm	M4mm




14.

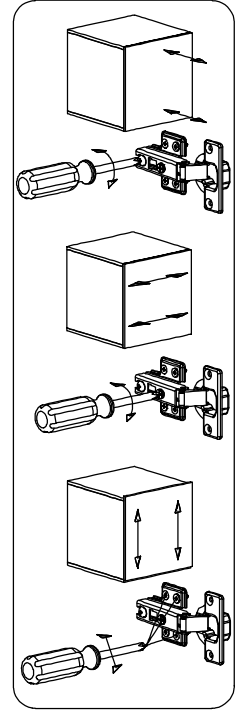
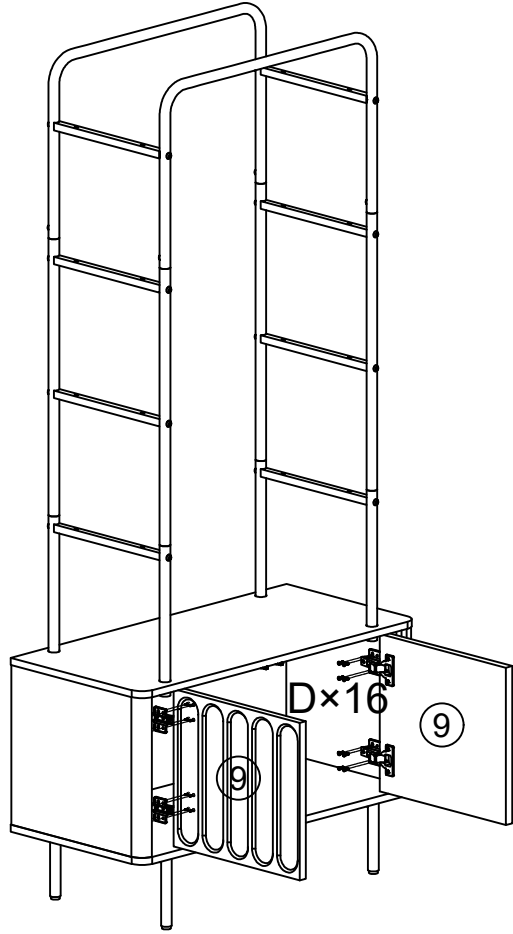
D×8PCS	M×4PCS
	
Ø3.5×12mm	

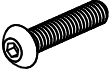



×2

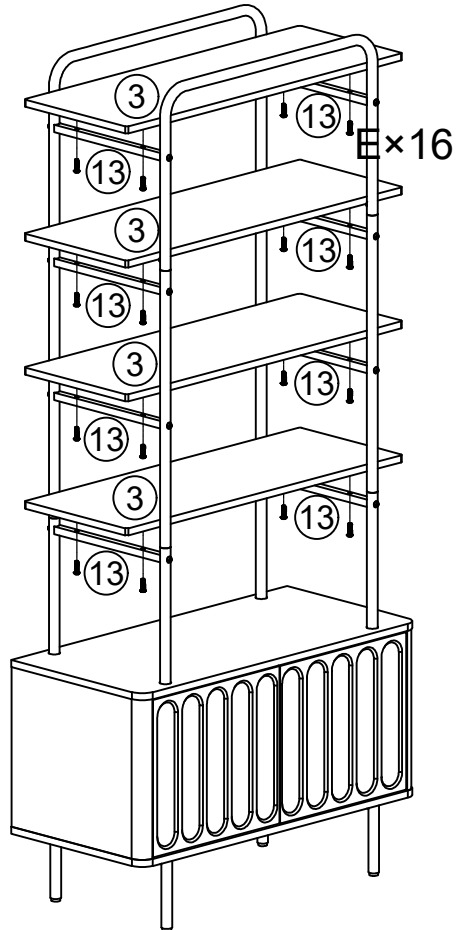
D×16PCS

Ø3.5×12mm

15.



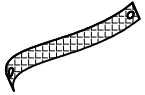


E×16PCS	L×1PC
	
M6×25mm	M4mm

16.



# 17.

F×2PCS	H×2PCS	Q×2PCS
		
Ø6×30mm	Ø4×35mm	

