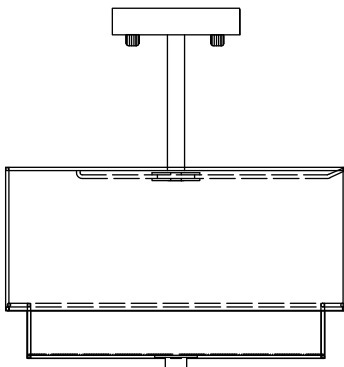


Ceiling Lights

[Instruction Manual]



Please pay attention to the warning signs
Read the instructions with caution before operating
and keep it properly

Warning:

Risk of fire. Min 167°F/75°C supply conductors. Consult a qualified electrician to ensure correct installation. Before installation, please turn off the main power of the circuit breaker to prevent possible electric shock.

Installation Instructions

FIG.1. Turn the wall switch to the "OFF" position. Depending on which type of fuse box in your home:

FIG.2. Either turn the main (Master) switch to the "OFF" position to cut off the power supply of the entire home, or turn off the individual switch that supplies power to where the fixture will be installed.

OR

FIG.3. Either turn the main (Master) switch to the "OFF" position to cut off the power supply of the entire home, or unscrew the fuse that supplies power to where the fixture will be installed.

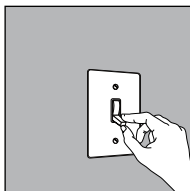


FIG.1 WALL SWITCH

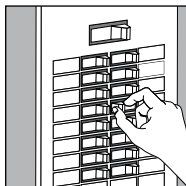


FIG.2 BREAKER PANEL

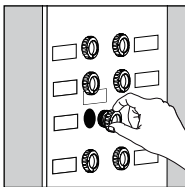
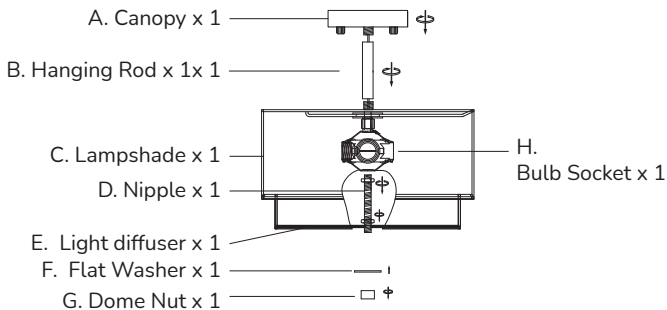


FIG.3 FUSE BOX






PACKING LIST



Note:

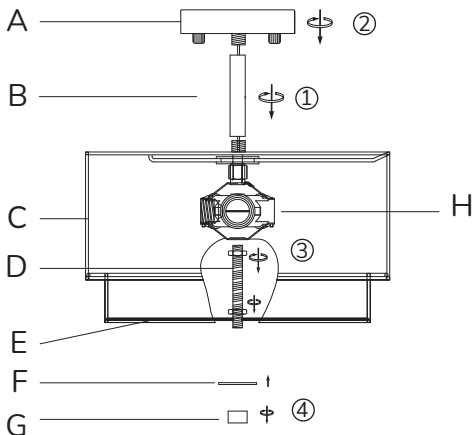
1. Two nuts have already been pre-installed on Nipple (D). One is the movable nut and the other is the fixed nut

INSTALLATION KIT

<p>AA x1</p>  <p>Mounting Bracket</p>	<p>BB x3</p>  <p>Wire Nut</p>	<p>CC x2</p>  <p>Outlet Box Screw</p>	<p>DD x1</p>  <p>Ground Screw</p>
<p>EE x2</p>  <p>Knurled Nut</p>			

1. Mounting Bracket (AA), Ground Screw (DD), Knurled Nut (EE) have been pre-installed on Canopy (A).

INSTALLATION



Step 1-2:

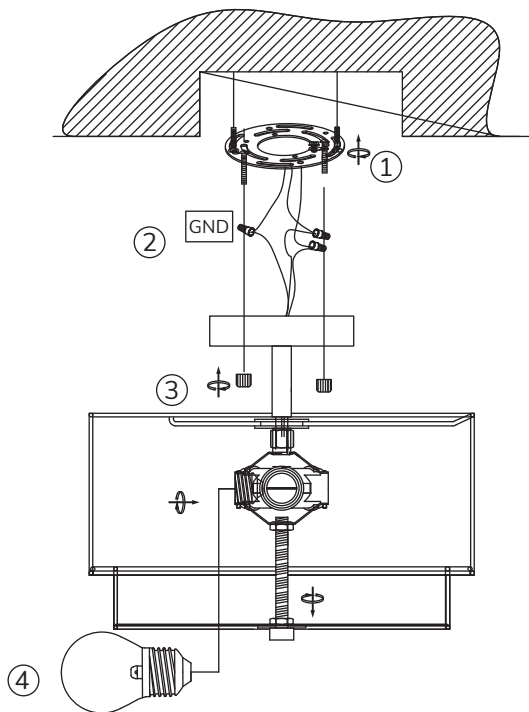
Pass the power cord of Bulb Socket (H) through Hanging Rod (B) and Canopy (A), and then tighten it.

Step 3:

Insert the tooth rod Nipple (D) into the lamp head of Bulb Socket (H), and pass through the shading sheet Light diffuser (E) at the same time.

Step 4:

Put Flat Washer (F) on Nipple (D) one by one, lock it with Dome Nut (G); at the same time, tighten the nut on the tooth rod Nipple (D).



Step 1:

Take off the screws from outlet box, attach the Mounting Bracket (AA) to the box with screws taken off or Outlet Box Screw (CC).

Step 2:

1: Wrap the ground wire from the outlet box around the Ground Screw (DD) on the Mounting Bracket (AA), and then connect the ground wire from the fixture to the ground wire from the outlet box.

2: Connect the wires from the fixture to the house supply wires, neutral wire (white) to neutral wire, and hot wire (black) to hot wire.

3: Spread apart the wires so that the hot wires are on one side of the outlet box and the neutral wires are on the other side.

Step 3:

Pass the Canopy (A) through the Mounting Bracket (AA) and lock it with the Knurled Nut (EE).

Step 4:

E26 Bulbs X 3

(Max 60W each, not included)

Specifications

- Input Voltage: 120VAC 60Hz
- Max.load Power: Incandescent Bulb 60w
- Socket Type: Standard Medium E26

One Year Limited Warranty

Supported by our professional team, we provide One Year Warranty for materials and workmanship from the purchase date. Please note that the warranty does not cover damage caused by personal misuse or improper installation.

Please attach your Order ID and Name so that our dedicated customer service team can help you better.



Made in China