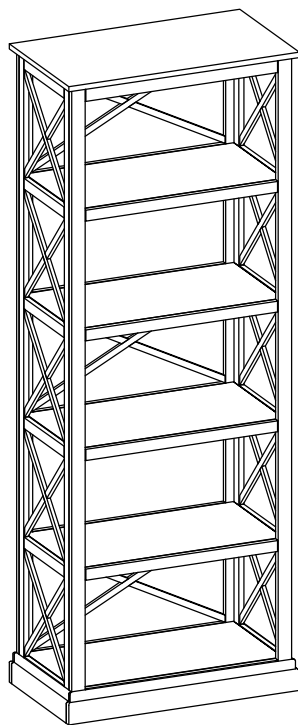


ASSEMBLY INSTRUCTIONS



BOOKCASE

ASSEMBLY INSTRUCTIONS

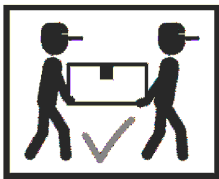
ASSEMBLY TIPS:

1. Remove hardware from box and sort by size.
2. Please check to see that all hardware and parts are present prior to start of assembly.
3. Please follow attached instructions in the same sequence as numbered to assure fast & easy assembly.



WARNING!






1. Don't attempt to repair or modify parts that are broken or defective. Please contact the store immediately.
2. This product is for home use only and not intended for commercial establishments.








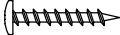

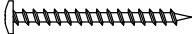


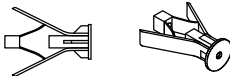
ASSEMBLY TIME

15 MINUTES

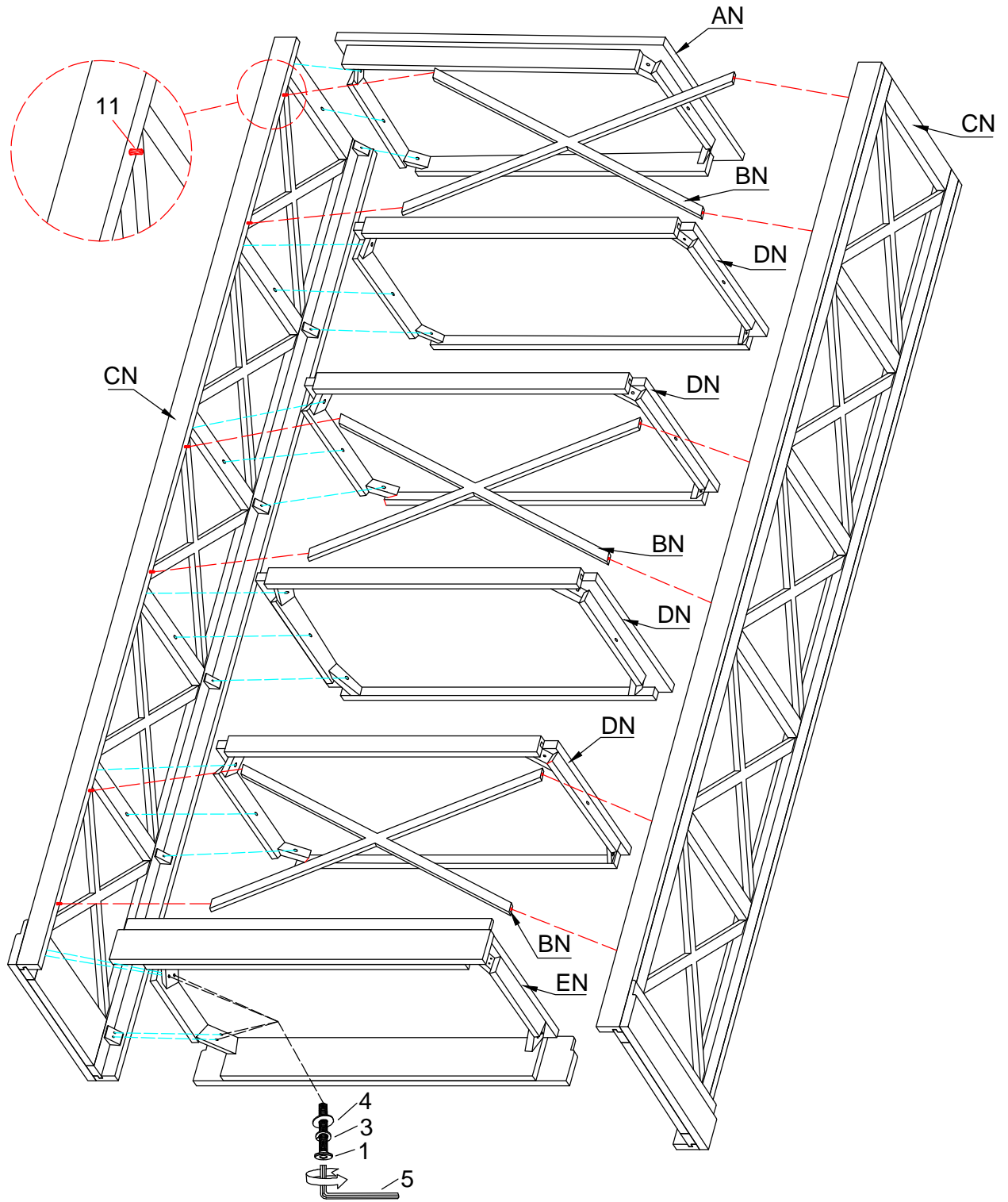
PARTS IDENTIFICATION

AN	TOP PANEL		1PC	DN	SHELF		4PCS
BN	BACK SUPPORT		3PCS	EN	BOTTOM PANEL		1PC
CN	SIDE FRAME		2PCS				

HARDWARE IDENTIFICATION

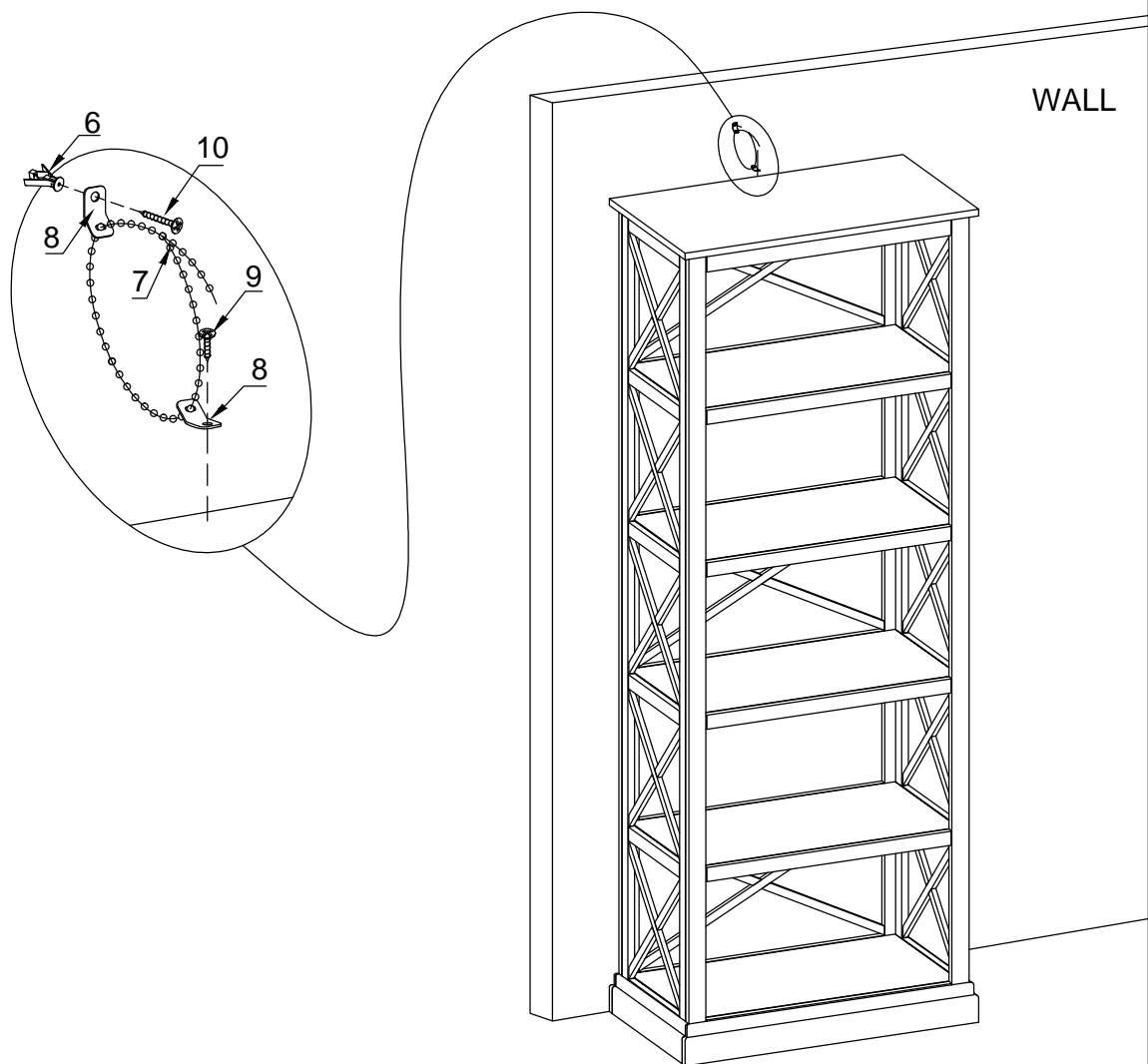
1	LONG BOLT (Ø1/4" x 1-3/4")		28PCS	7	TIGHTWIRE (L265mm)		1PC
2	SHORT BOLT (Ø1/4" x 1-1/4")		10PCS	8	BRACKET (26*13mm)		2PCS
3	SMALL LOCK WASHER (Ø1/4" x 2mm)		38PCS	9	SHORT SCREWS (M4x 3/4")		1PC
4	SMALL FLAT WASHER (Ø1/4" x 1mm)		38PCS	10	LONG SCREWS (M4x 1-1/2")		1PC
5	ALLEN KEY (M4 x 67mm)		1PC	11	SMALL WOODEN DOWEL (Ø6*30mm)		12PCS
6	PIUG (30mm)		1PC				

STEP 1



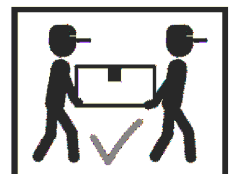
STEP 2

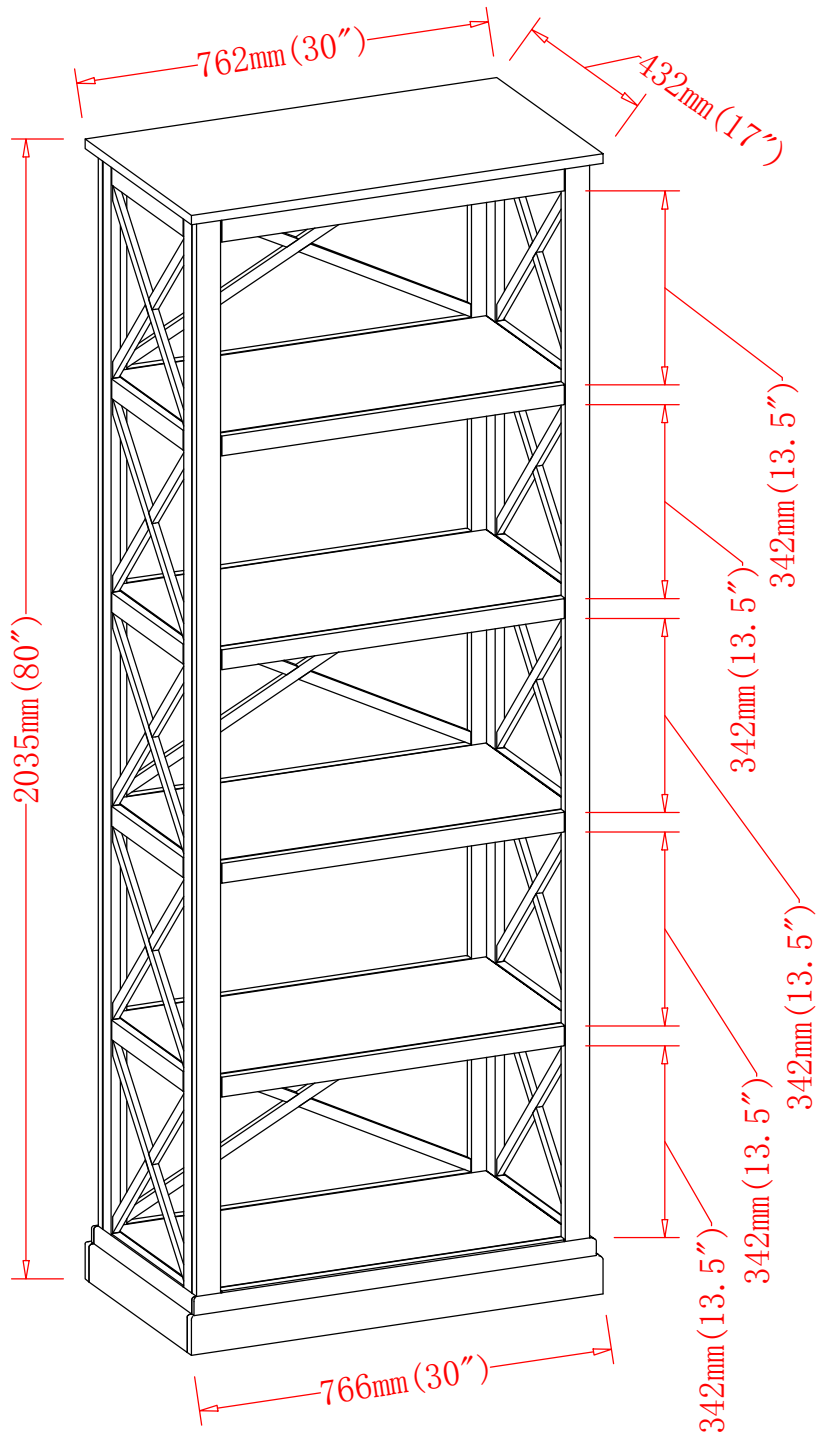
ATTENTION: ANTI TIPPING SAFEGUARD
PLEASE INSTALL THE ANTI TIPPING HARDWARE AS SHOWN IN THE
DRAWING - THIS CAN HELP TO PREVENT ANY TIPPING ISSUES.



WARNING

INJURY MAY RESULT FROM TIPPING FURNITURE
THIS RESTRAINT IS NOT A SUBSTITUTE FOR PROPER ADULT SUPERVISION .
THIS RESTRAINT MAY PROVIDE PROTECTION AGAINST TIPPING FURNITURE.
DO NOT ALLOW CHILDREN TO CLIMB ON FURNITURE.
FAILURE TO DETACH THIS RESTRAINT BEFORE MOVING FURNITURE MAY
RESULT IN INLURY AND DAMAGE.





Note : Dimension tolerance $\pm 5\%$