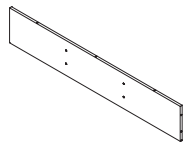
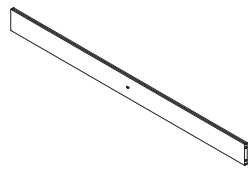


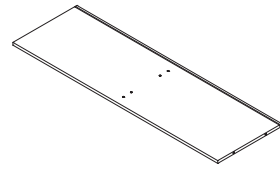
1



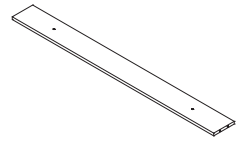
2



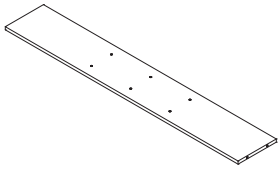
3



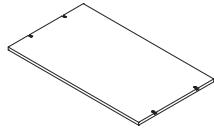
4



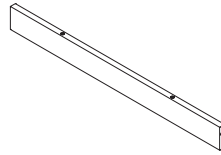
5



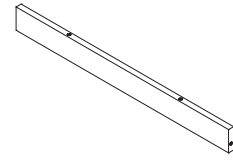
6



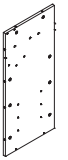
7



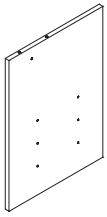
8



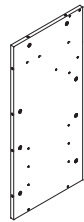
9



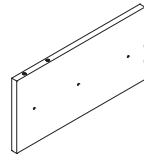
10



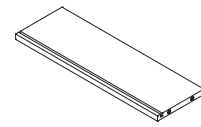
11



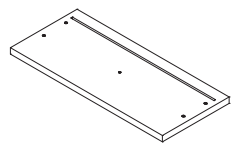
12



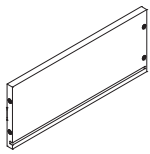
14X2



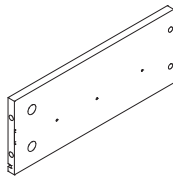
15X3



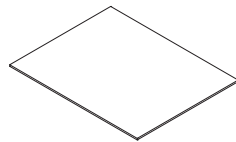
16X3



17X3



18X3



21X3



22



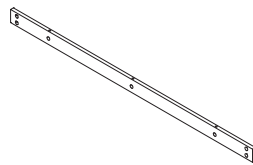
23



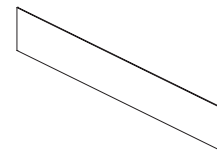
24



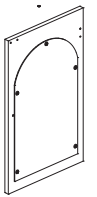
25



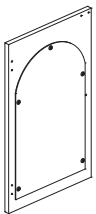
26



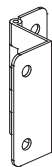
27X2



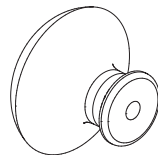
28X2



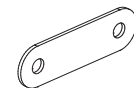
29X2



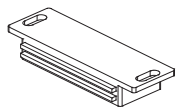
30X8



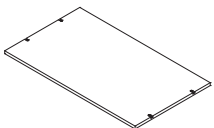
31X7



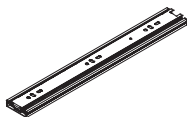
32X4



33X4

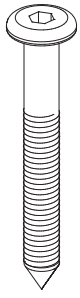


34



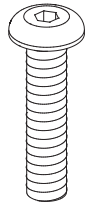
35X6

M5X50



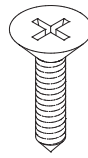
A-25

M4X22



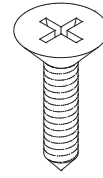
B-7

M3.5X10



C-8

M3.5x12



D-84

M5X20

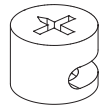


E-8



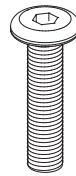
F-74

M15X12



G-75

M6X25

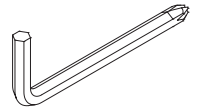


H-2

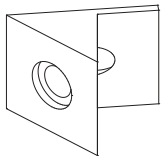
M8X40



I-8

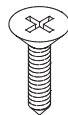


J-1

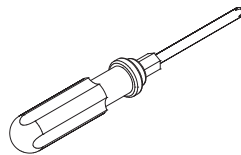


K-8

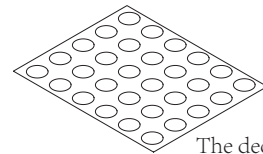
M3.5x16



L-8



M-8

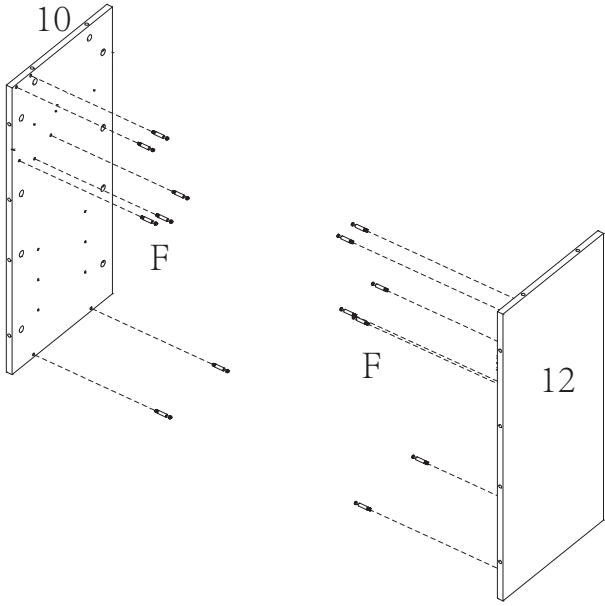


M-30

The decorative post is posted on the eccentric outside

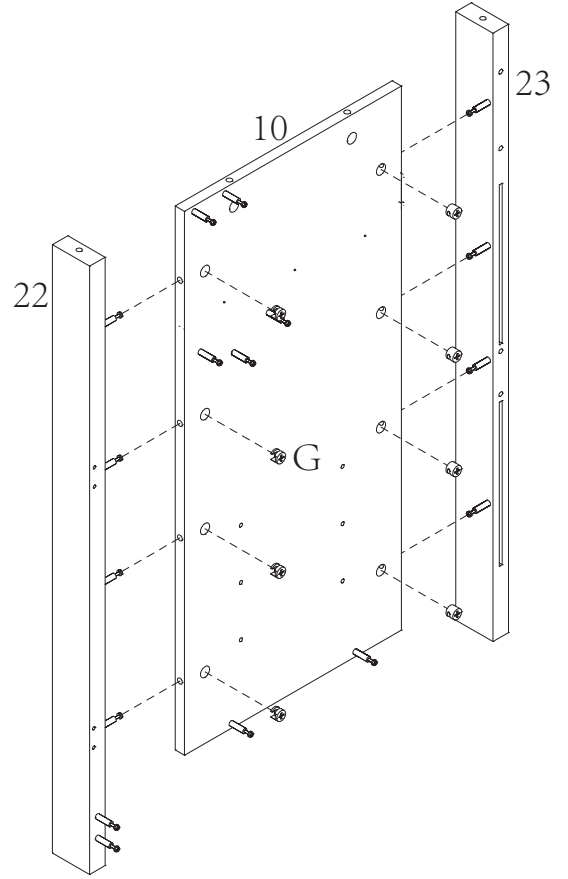


5



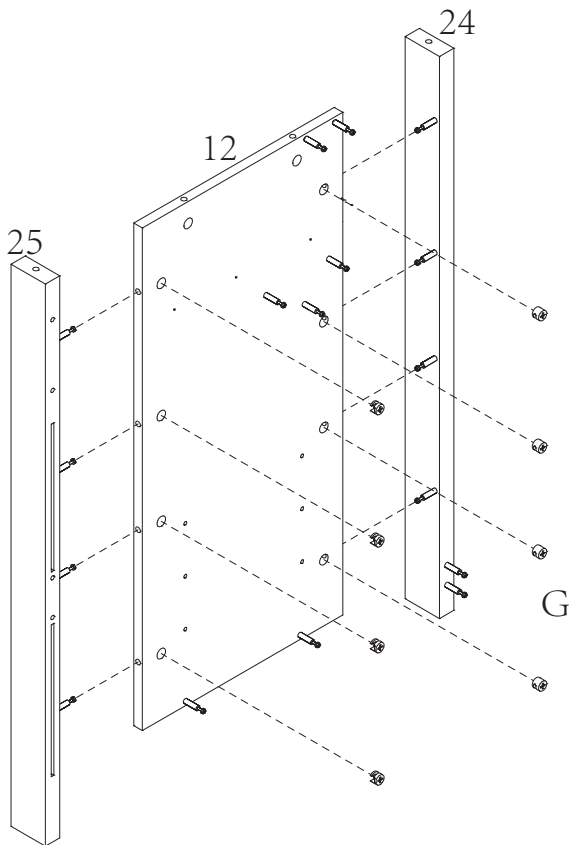
FX14

6



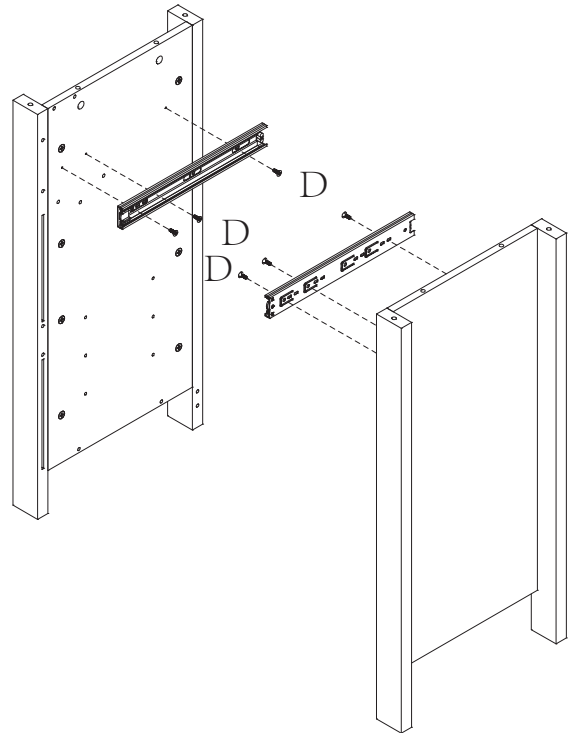
GX8

7



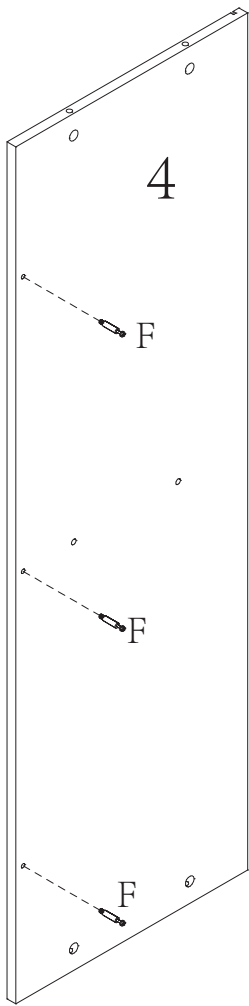
GX8

8



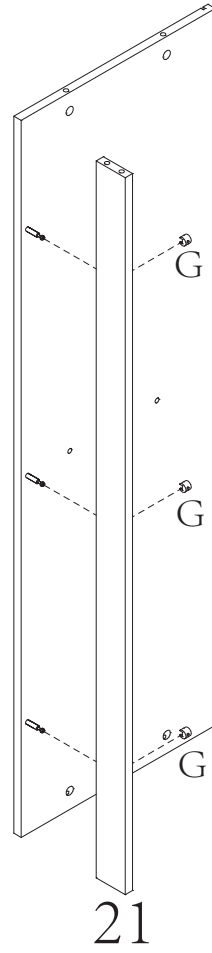
DX6

9



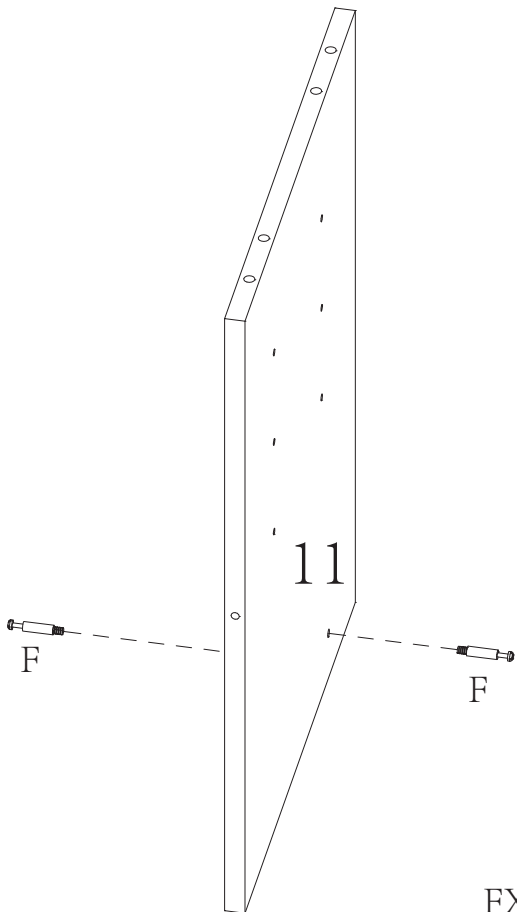
FX3

10



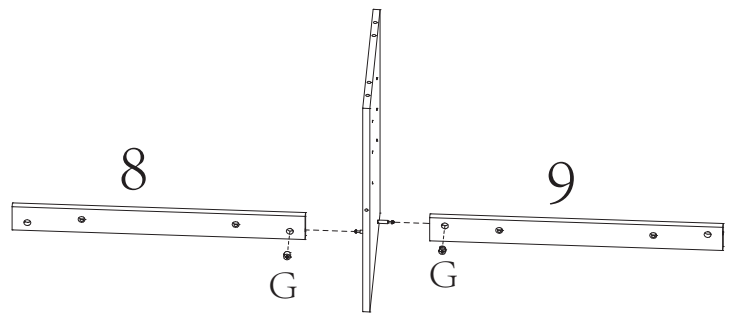
GX3

11



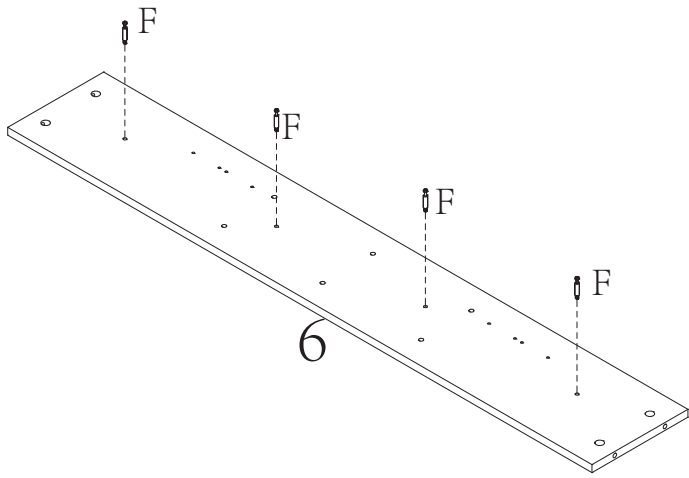
FX2

12



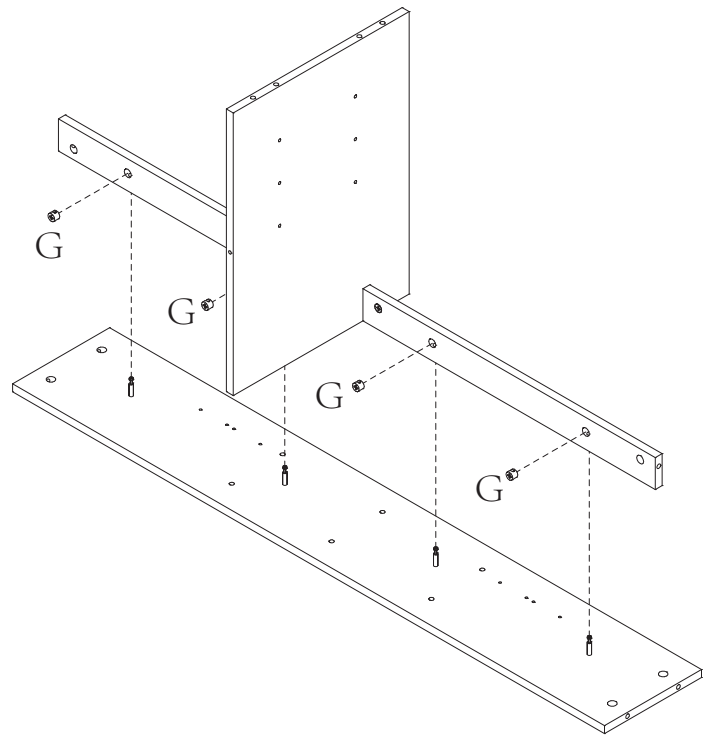
GX2

13



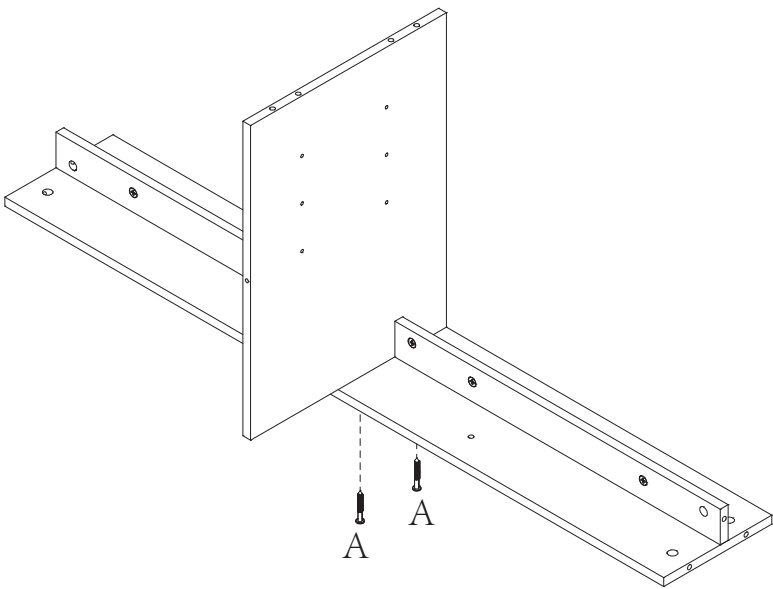
FX4

14



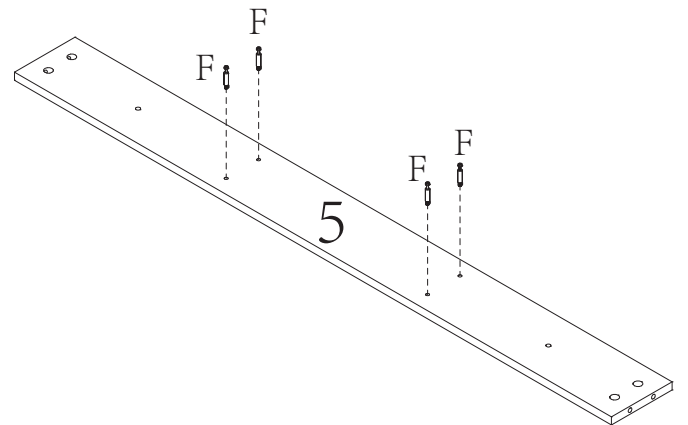
GX4

15



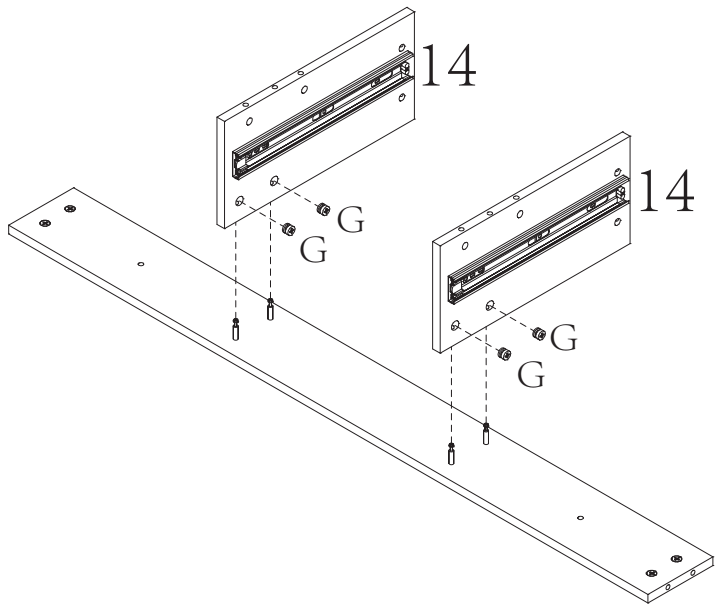
AX2

16



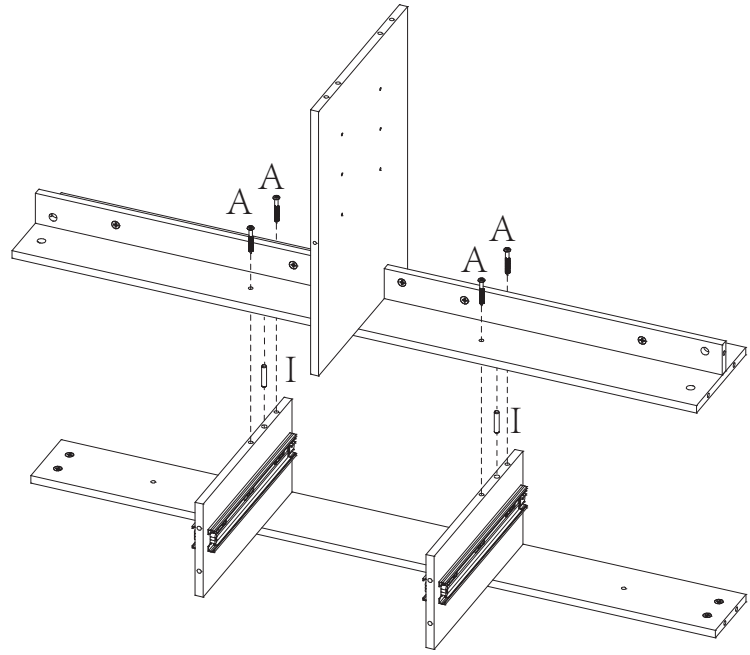
FX4

17



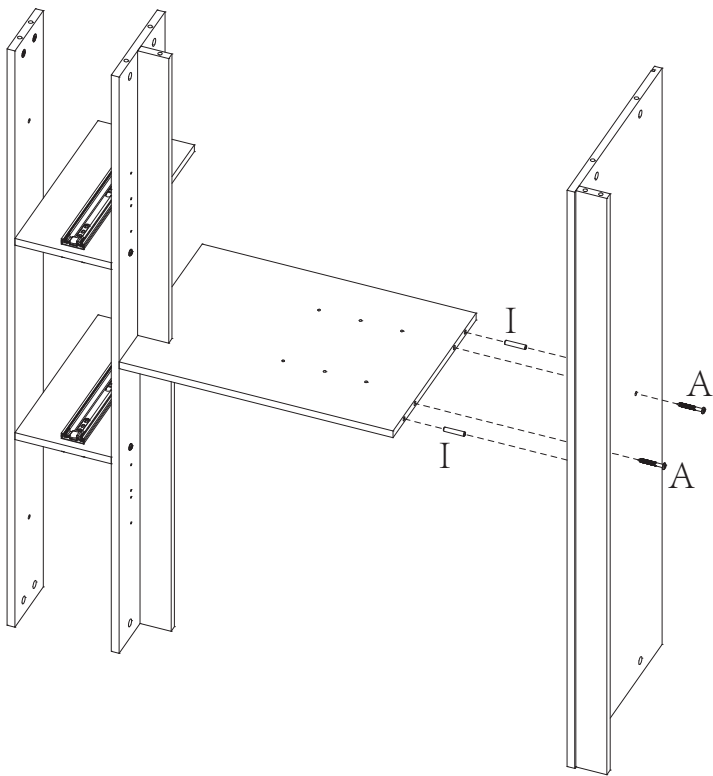
GX4

18



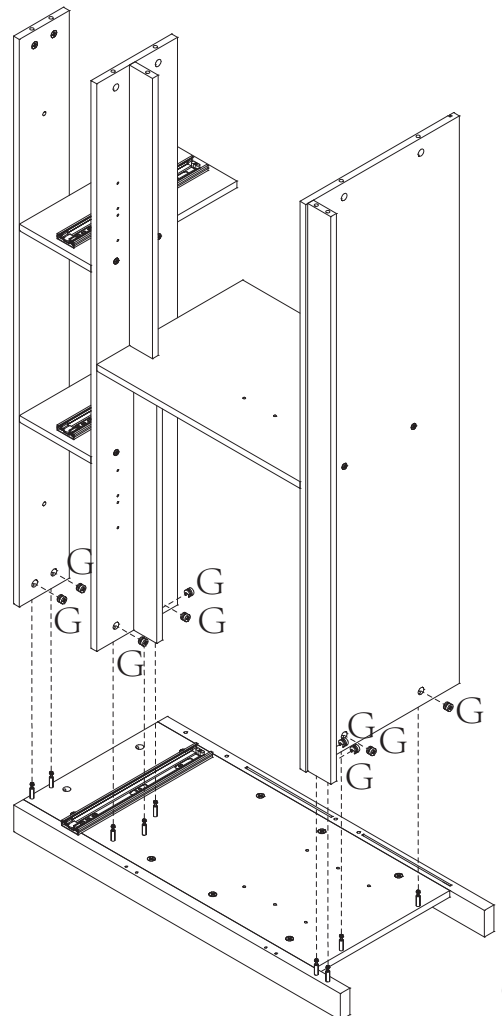
IX2 AX4

19



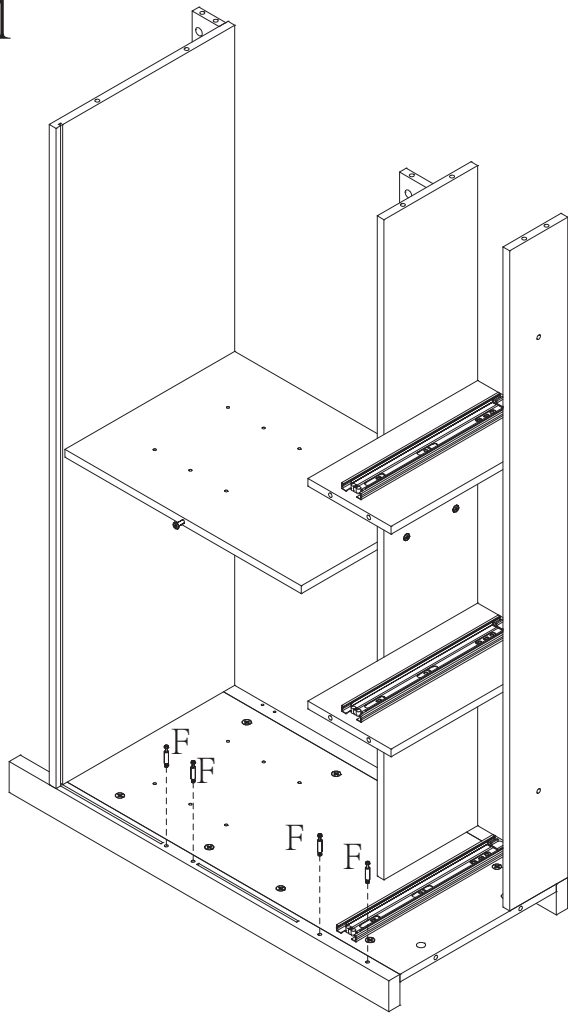
AX2 IX2

20



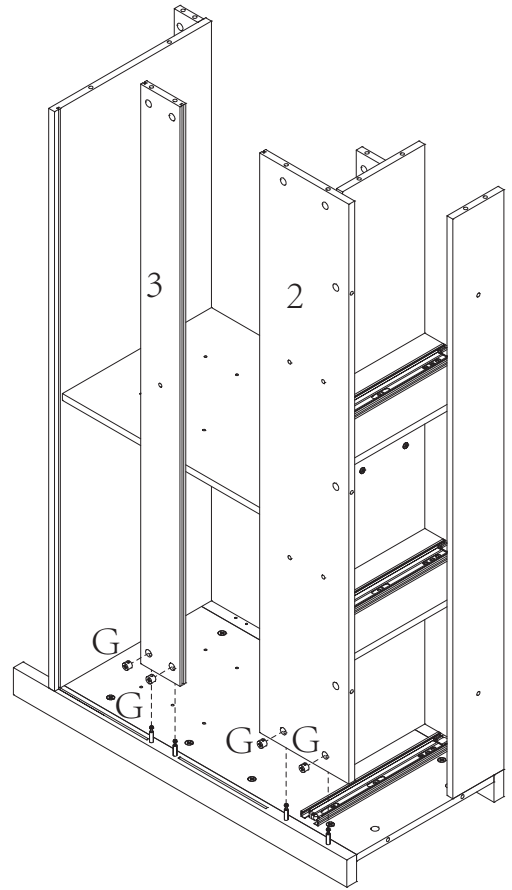
GX9

21



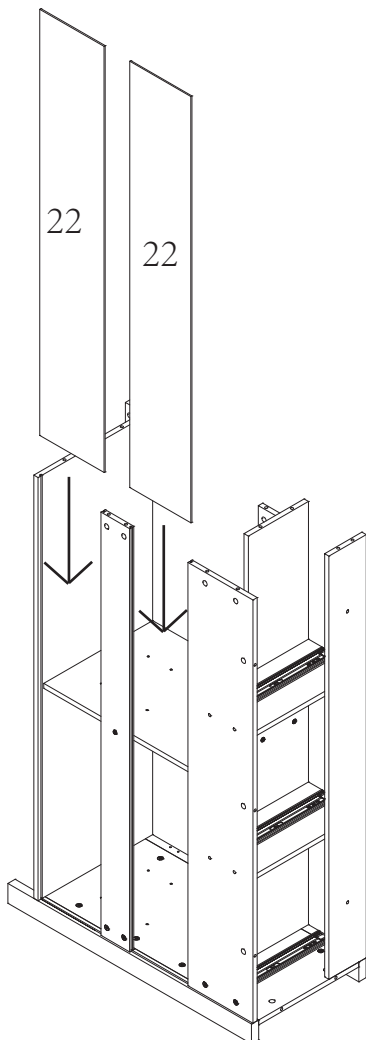
FX4

22

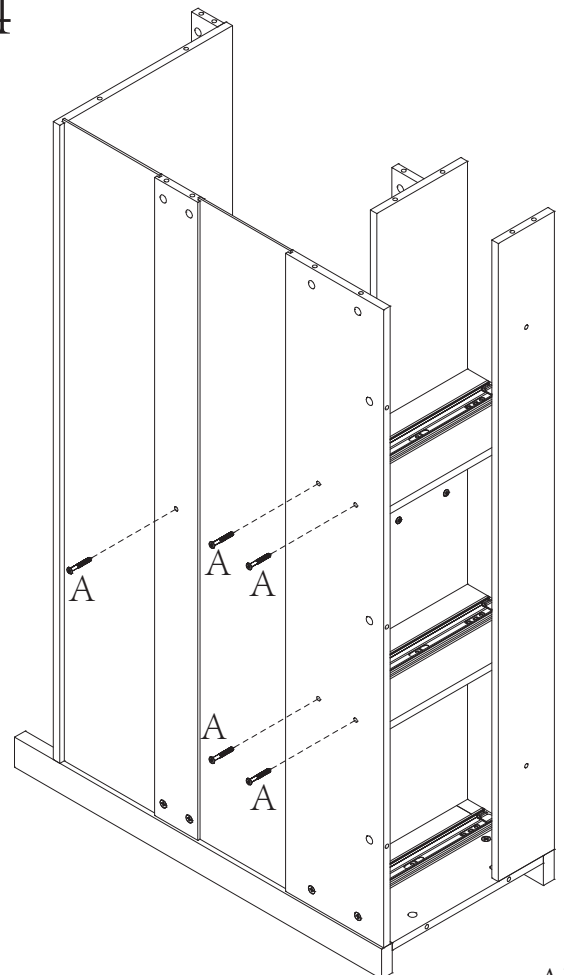


GX4

23

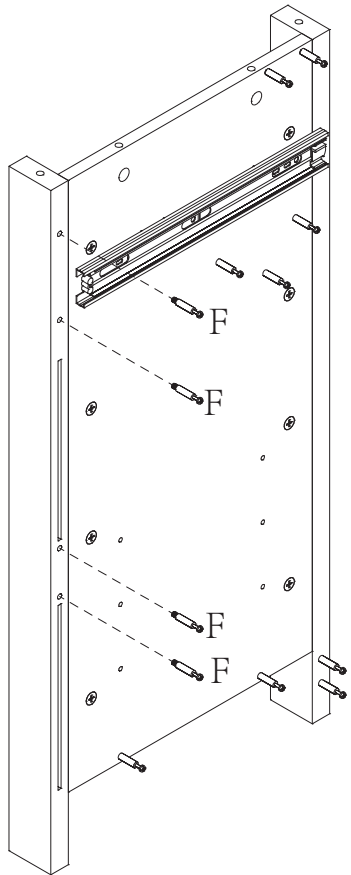


24



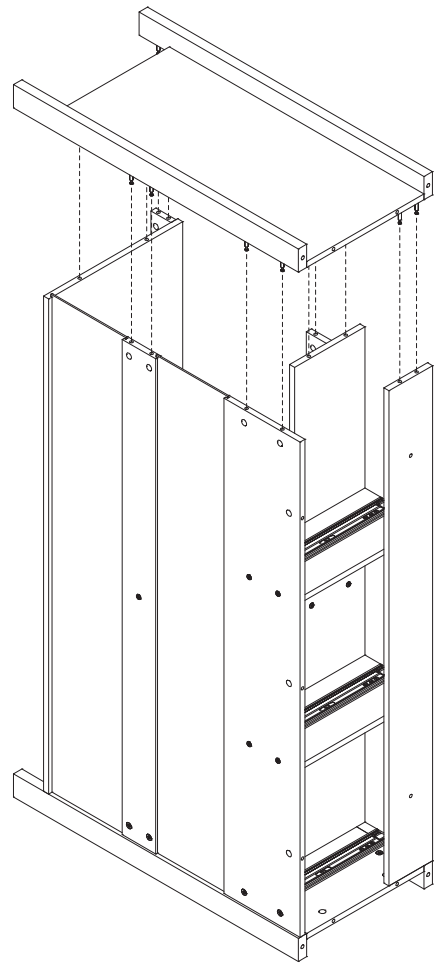
AX5

25

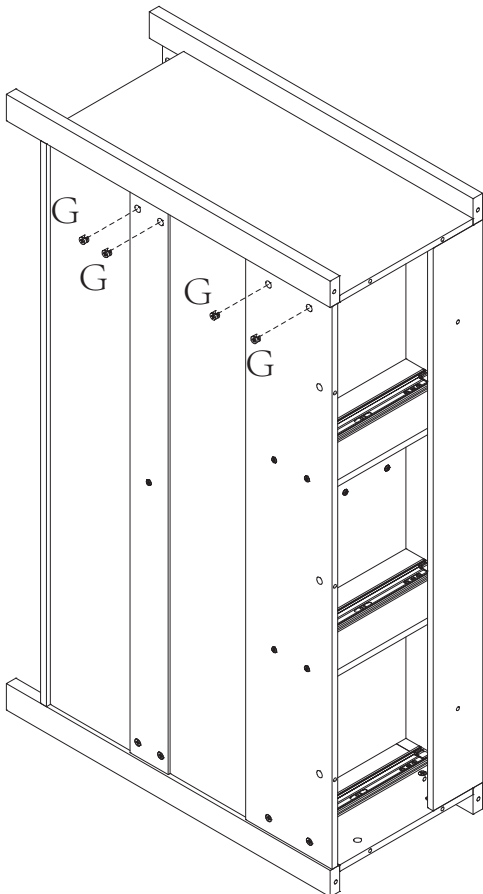


FX4

26



27



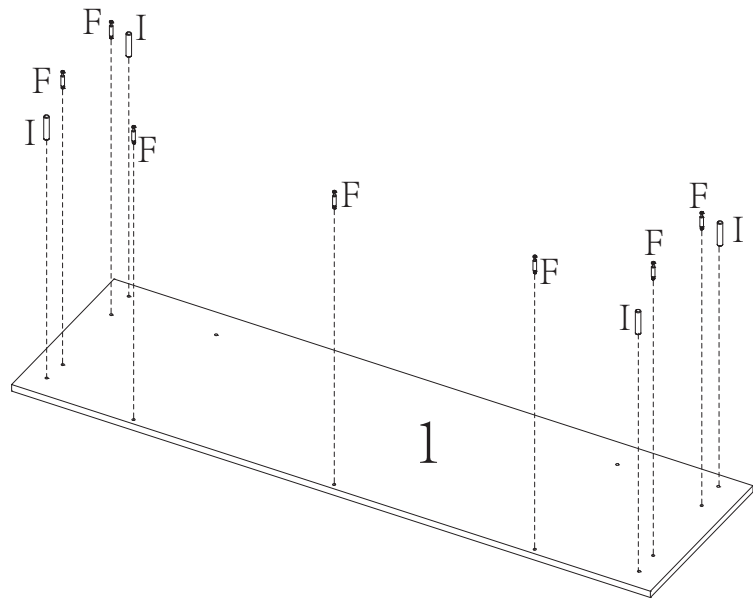
GX4

28



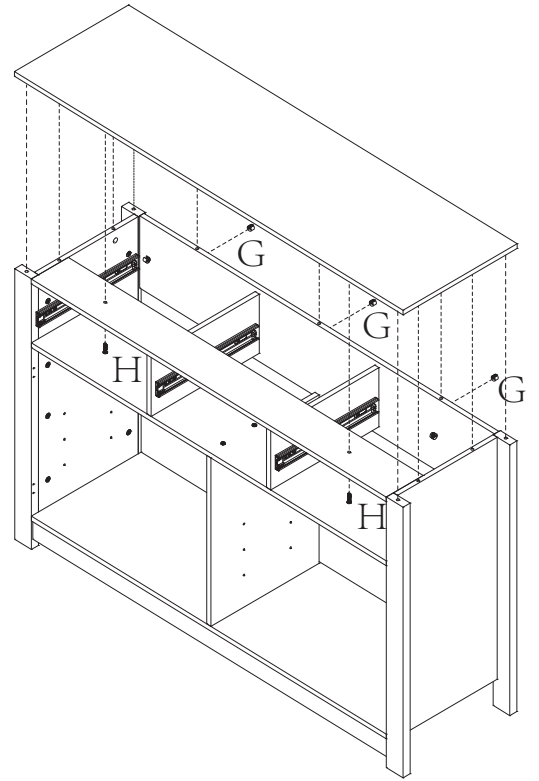
GX9

29



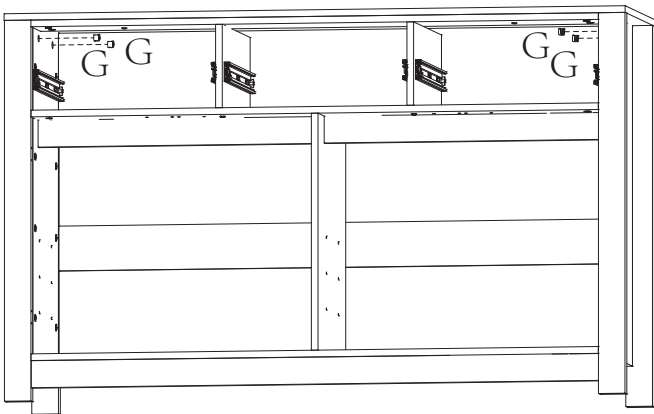
IX4 FX7

30



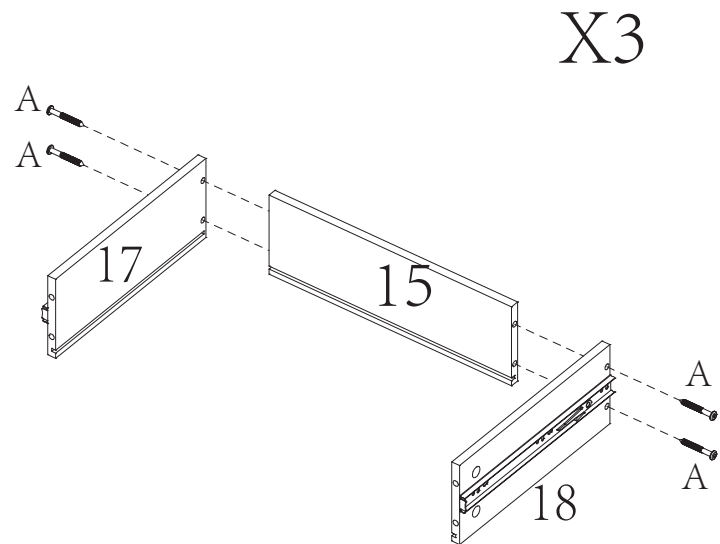
HX2 GX3

31



GX4

32

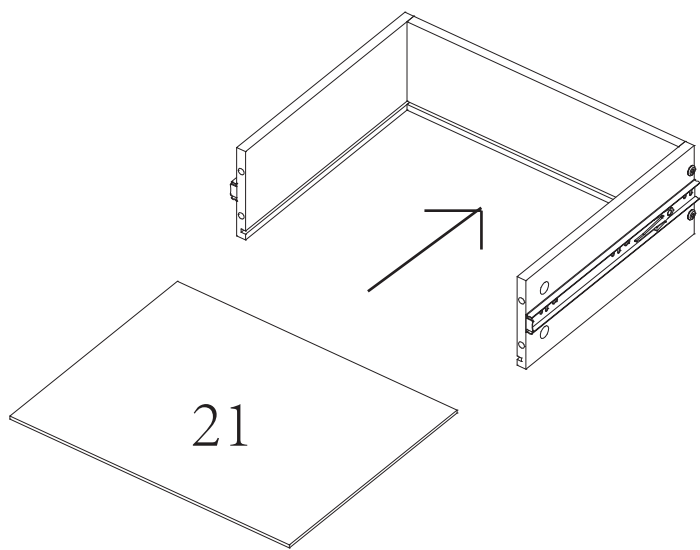


X3

AX8

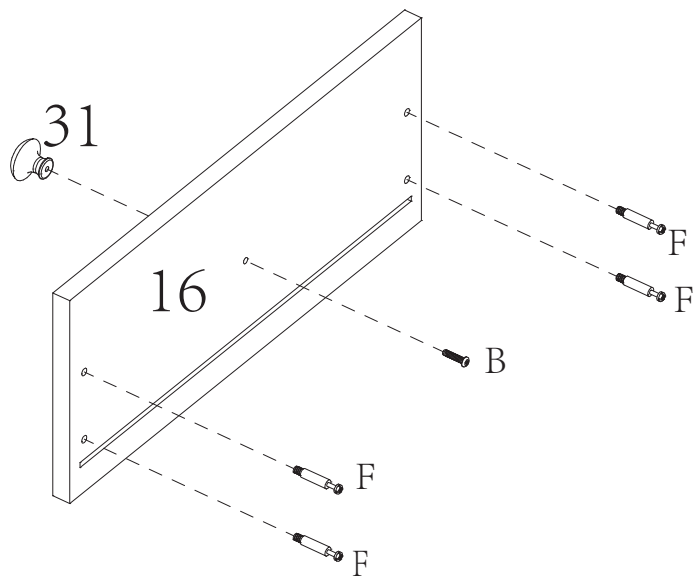
33

X3



34

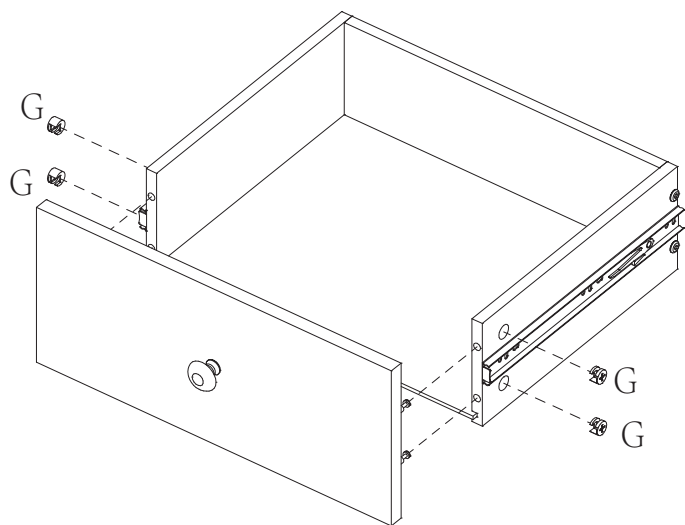
X3



FX12 BX3

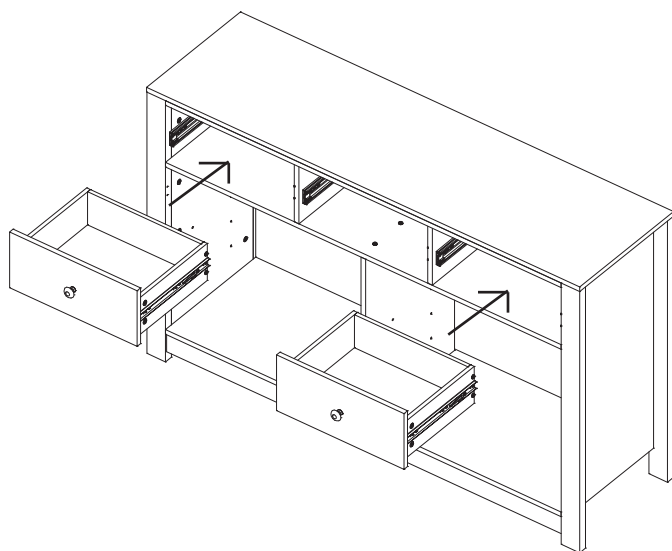
35

X3

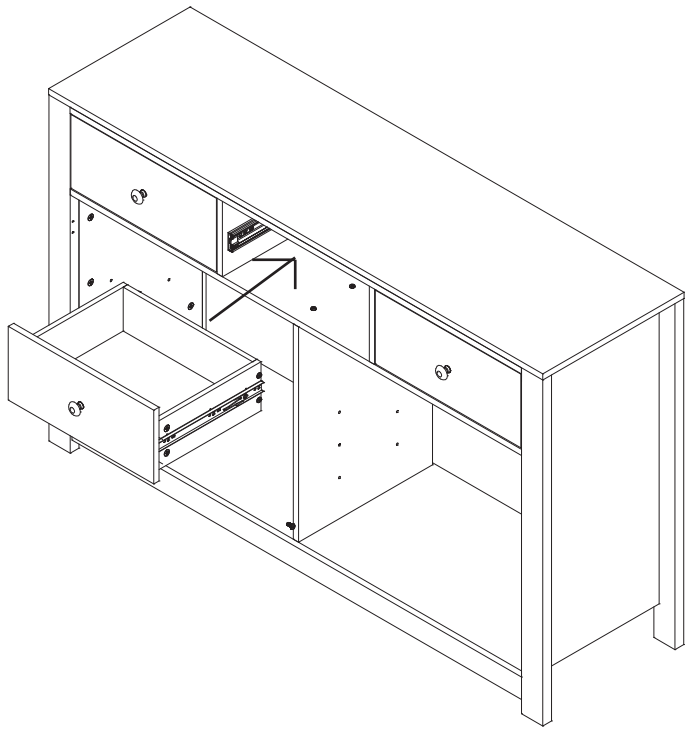


GX8

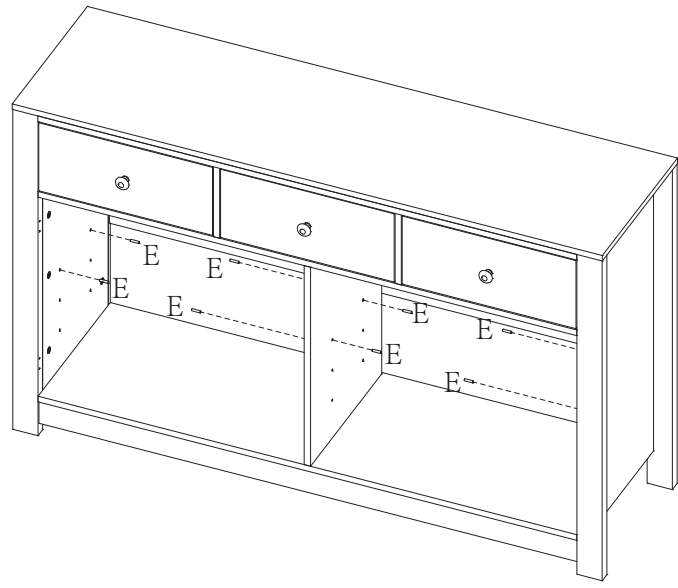
36



37

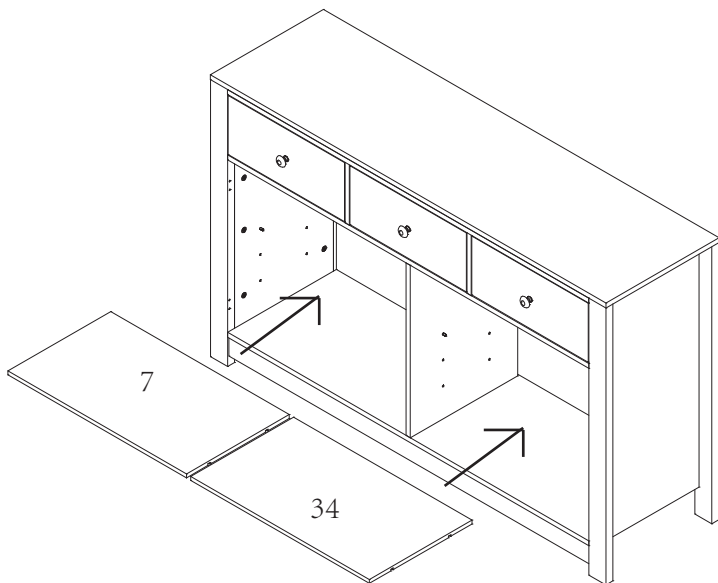


38

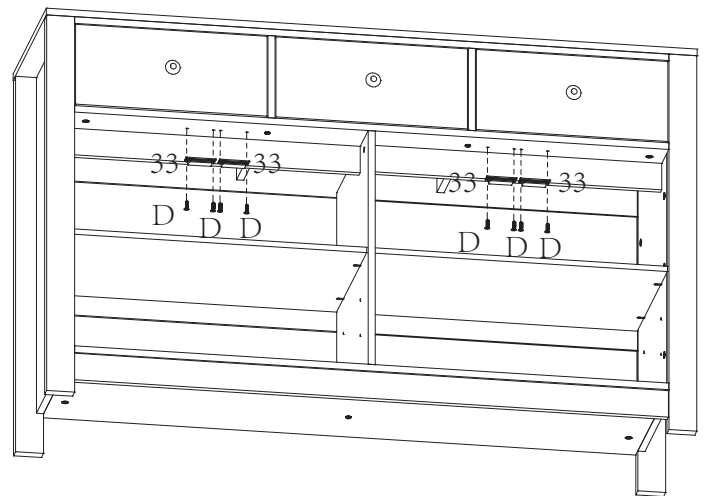


EX8

39

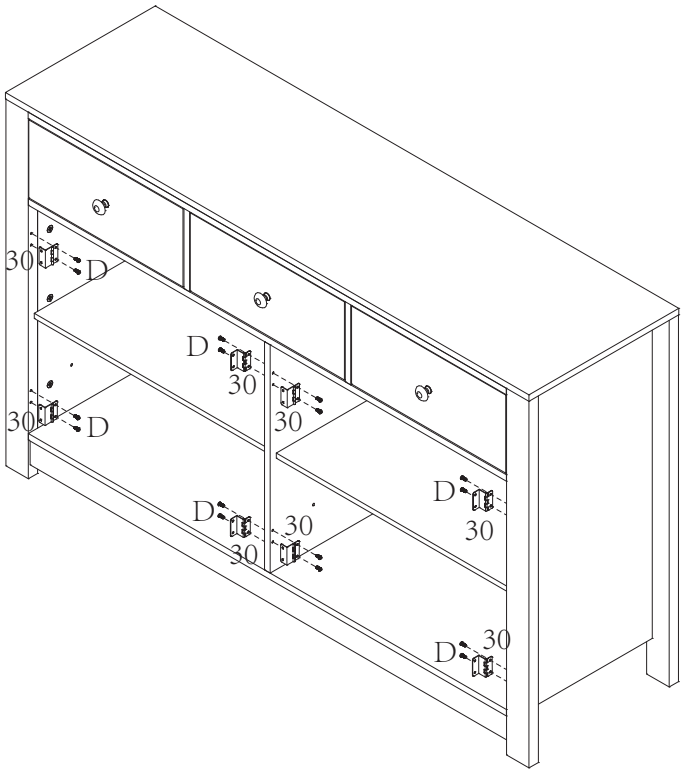


40



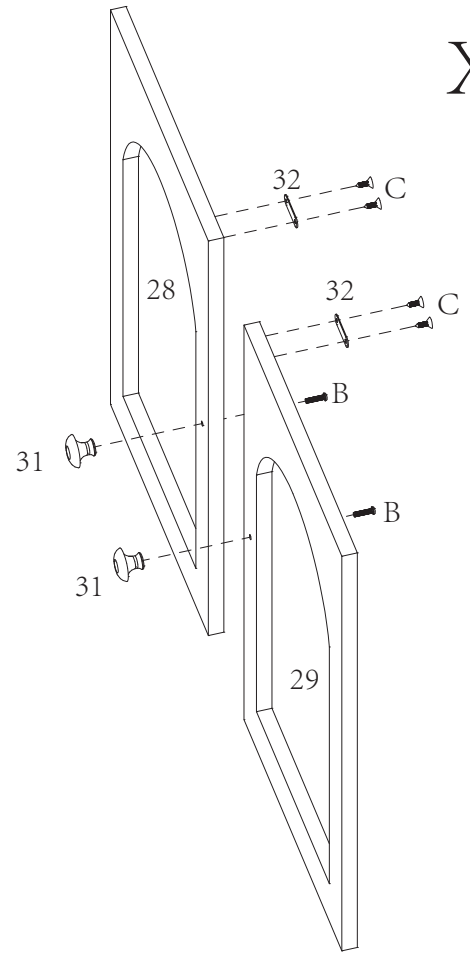
DX8

41



DX16

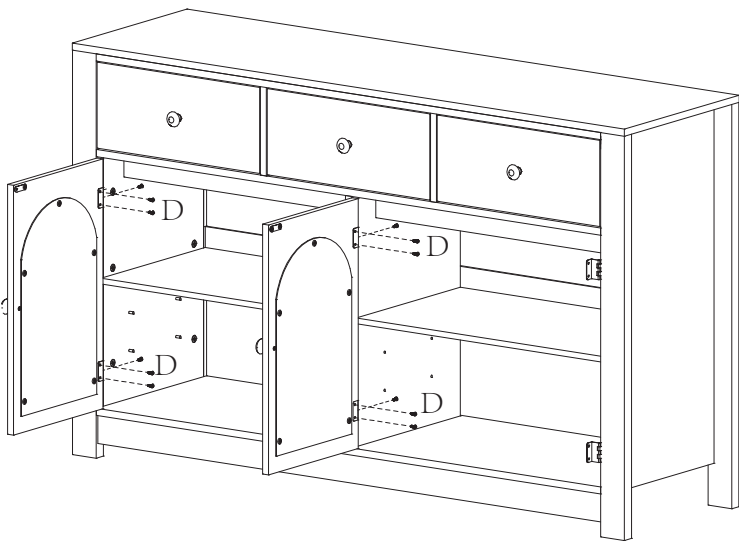
42



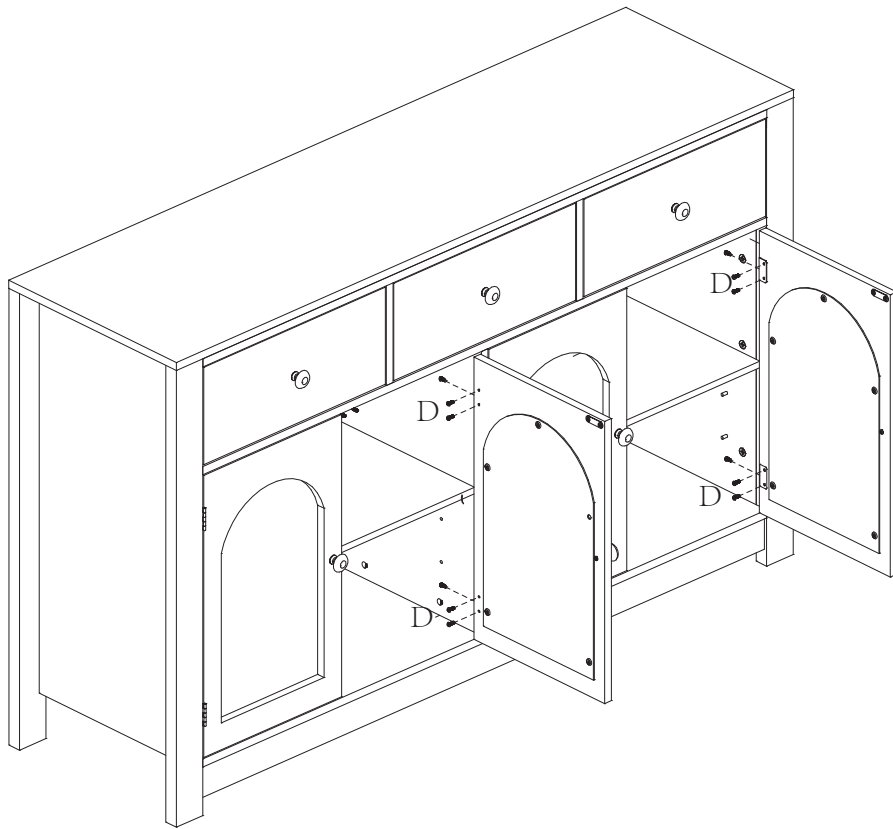
X2

CX8 BX4

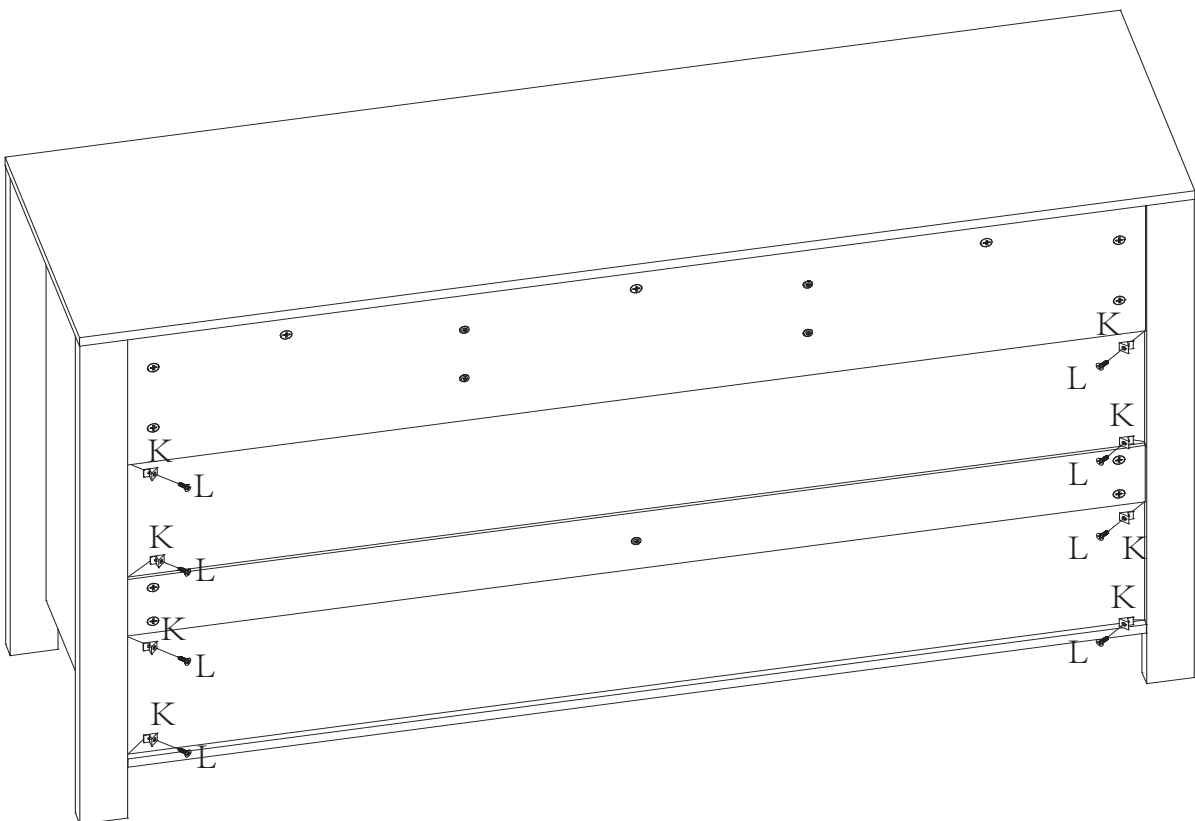
43



DX12



DX12



LX8 KX8