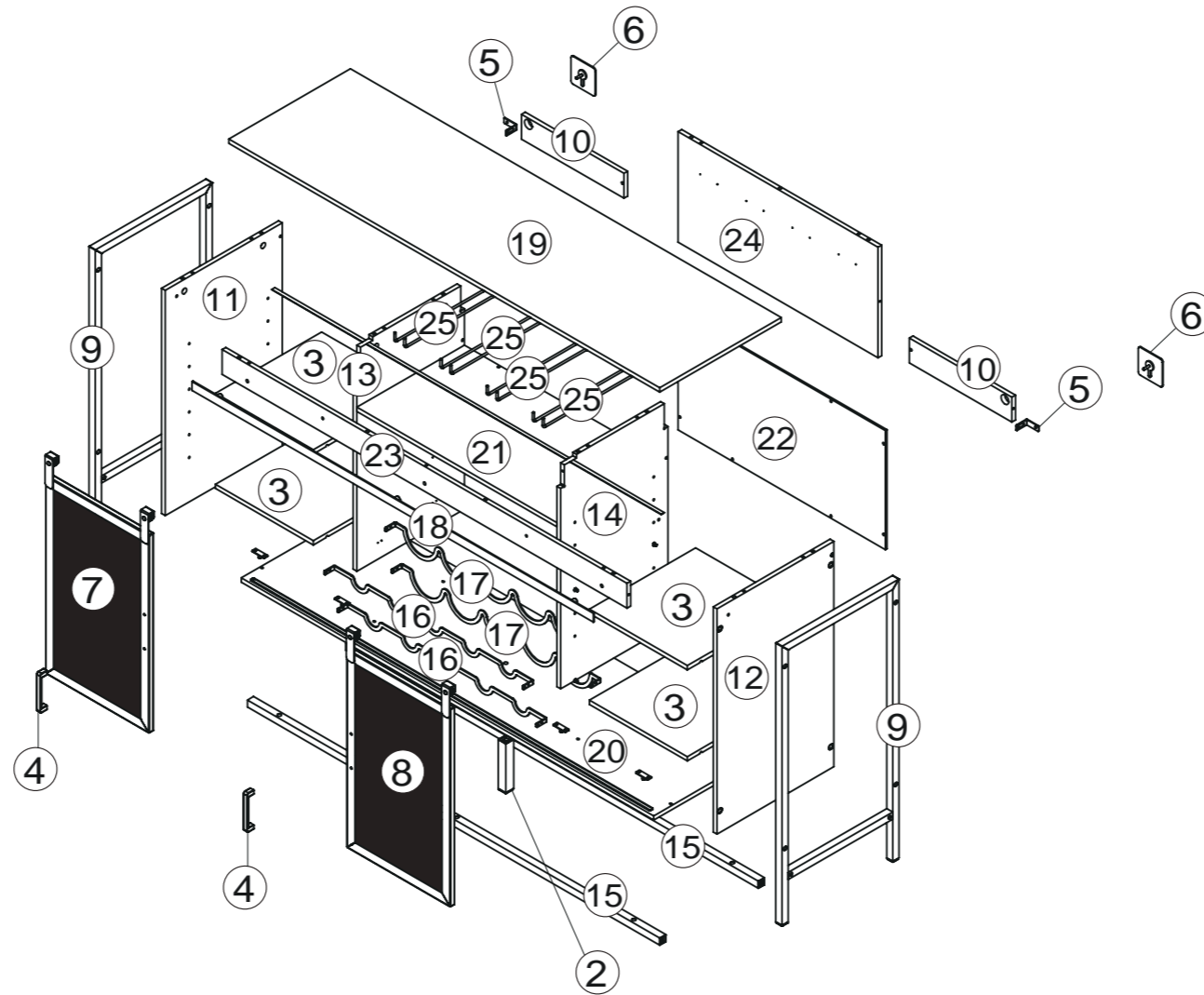


Thank you for choosing our products, please assemble and use it following the instructions.

# Assembly Instruction

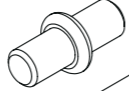
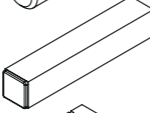
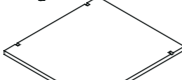
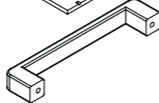
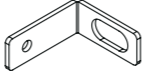


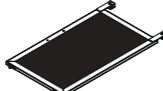
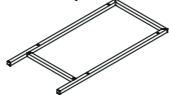


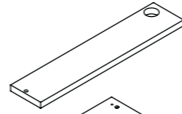
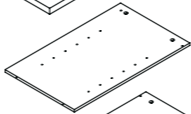
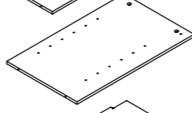
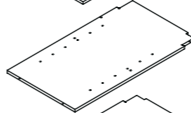
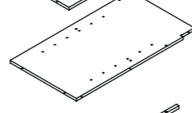

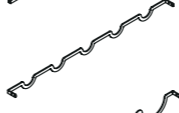
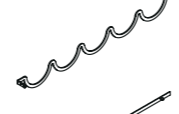
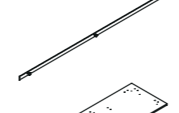

## Important Note

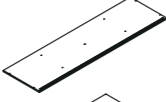
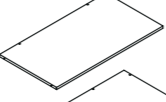
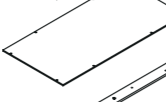
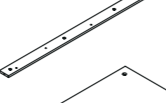
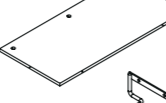


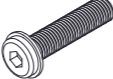

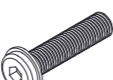
### HARDWARE NOTE :








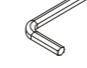
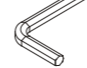

1. Two or more people are required for assembly
2. Do not screw on the bolts too tight unless the installation is done. Make sure all bolts are tightly screwed before you use it.

# Components

-  ..... 1 x16pcs
-  ..... 2 x1pc
-  ..... 3 x4pcs
-  ..... 4 x2pcs
-  ..... 5 x2pcs
-  ..... 6 x2pcs
-  ..... 7 x1pc
-  ..... 8 x1pc
-  ..... 9 x2pcs

-  ..... 10 x2pcs
-  ..... 11 x1pc
-  ..... 12 x1pc
-  ..... 13 x1pc
-  ..... 14 x1pc
-  ..... 15 x2pcs
-  ..... 16 x2pcs
-  ..... 17 x2pcs
-  ..... 18 x1pc
-  ..... 19 x1pc

-  ..... 20 x1pc
-  ..... 21 x1pc
-  ..... 22 x1pc
-  ..... 23 x1pc
-  ..... 24 x1pc
-  ..... 25 x4pcs
-  ..... K x1pc
-  M8x30 ..... A x2pcs
-  M8x40 ..... B x4pcs
-  M8x30 ..... C x13pcs

-  M6x25 ..... D x3pcs
-  M4x6 ..... E x4pcs
-  M5x40 ..... F x32pcs
-  ST4x12 ..... G x24pcs
-  ..... H x15pcs
-  ..... I x15pcs
-  ..... J x13pcs
-  ..... L x1pc
-  ..... M x1pc
-  ..... N x1pc

**1**

H J 15  
J 13

**2**

When installing the light belt, ensure that the two ends do not exceed the installation positions of parts 11 and 12.

19 K  
Do not lock the screws.  
Tear double-sided adhesive tape apart.  
K  
Lock all screws tightly

K 1pc

**21**

5 A  
M8x30 2

**22**

Attach part 6 to the wall as required and assemble with part 5.

6 5

**3**

⚠ Do not fully tighten the screws yet.

13 14 21 F

F M5x40 4

**4**

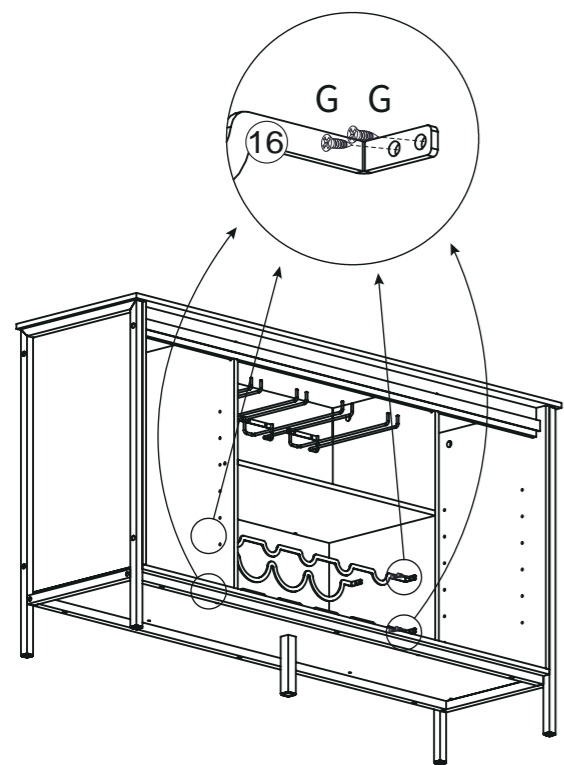
13 14 21 24 F

F M5x40 4

**23**

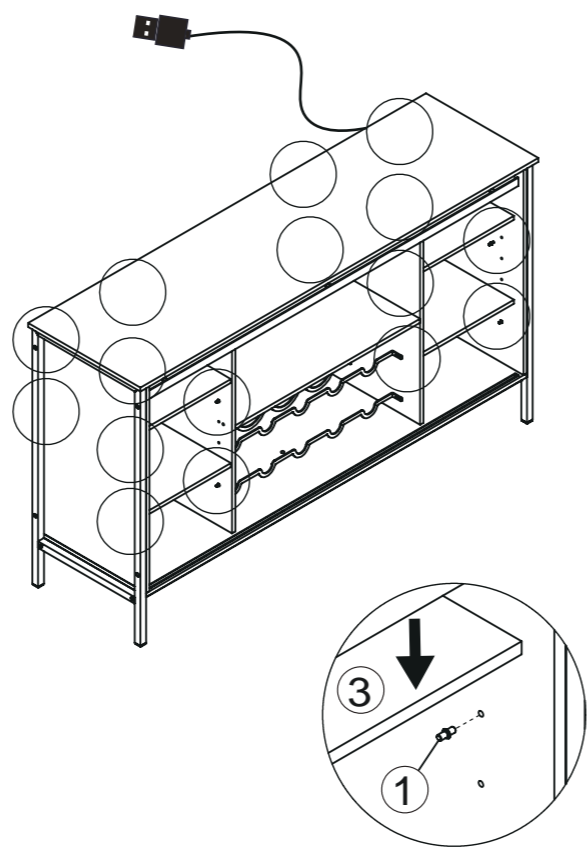
Finished

17

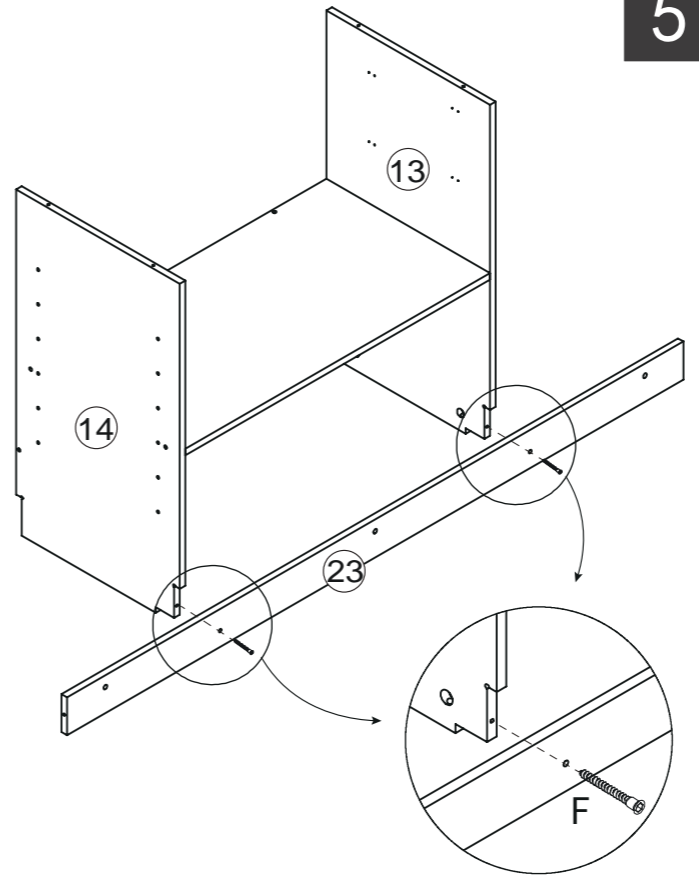


G	ST4x12	8
---	--------	---

18

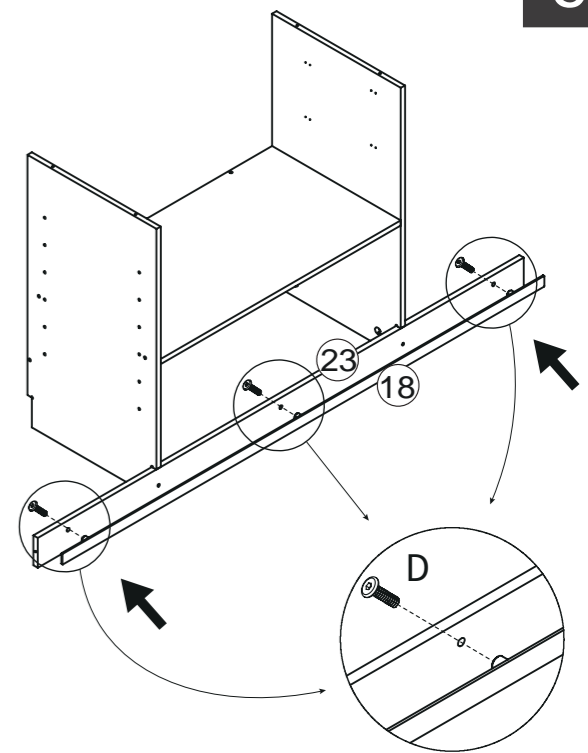


5



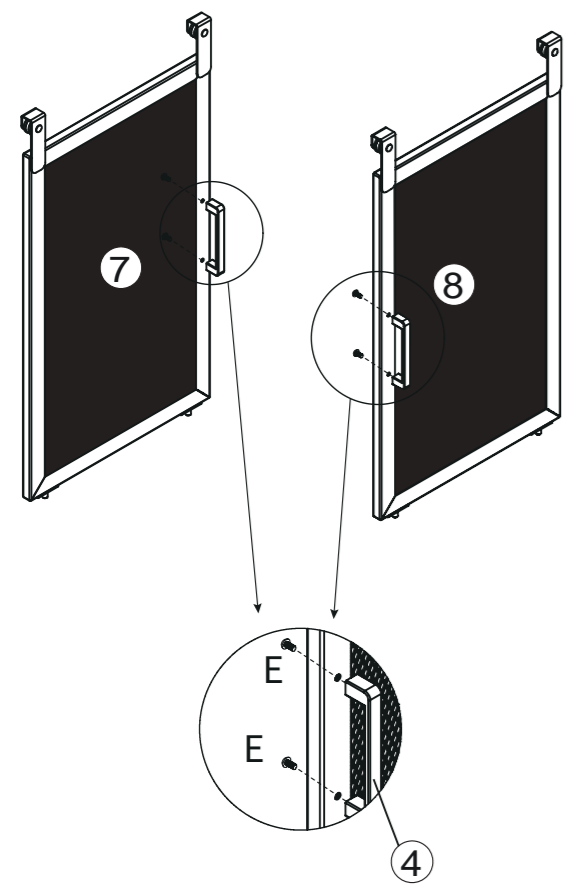
F	M5x40	2
---	-------	---

6



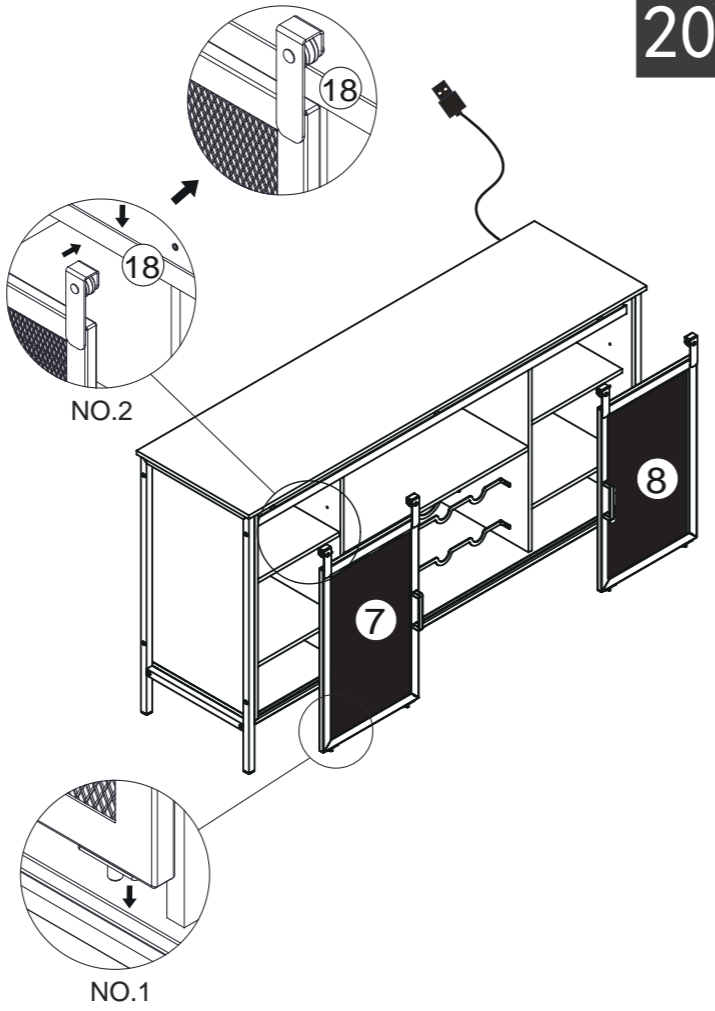
D	M6x25	3
---	-------	---

19

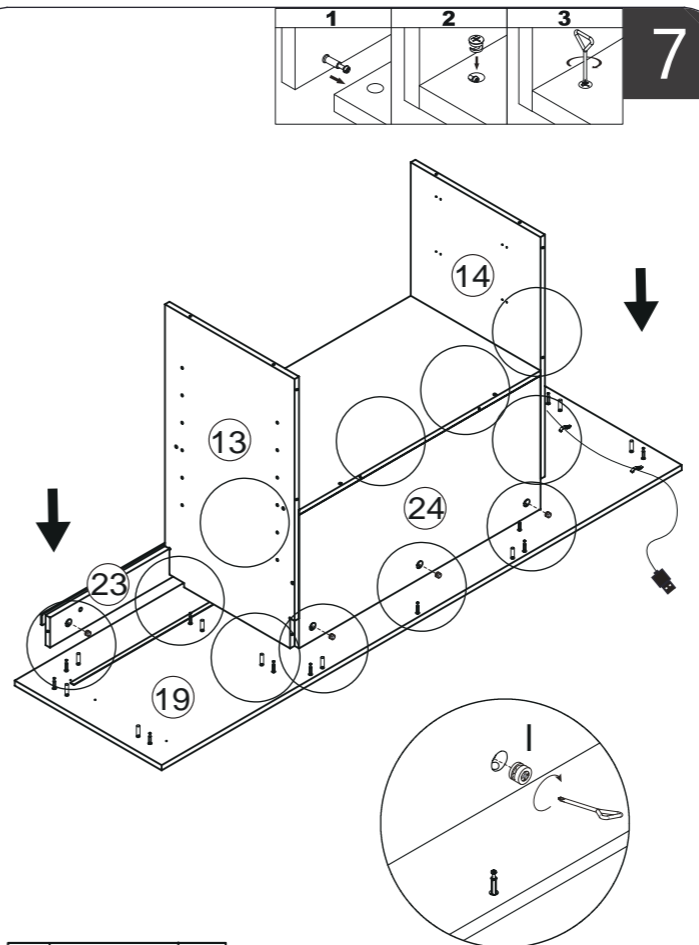


E	M4x6	4
---	------	---

20

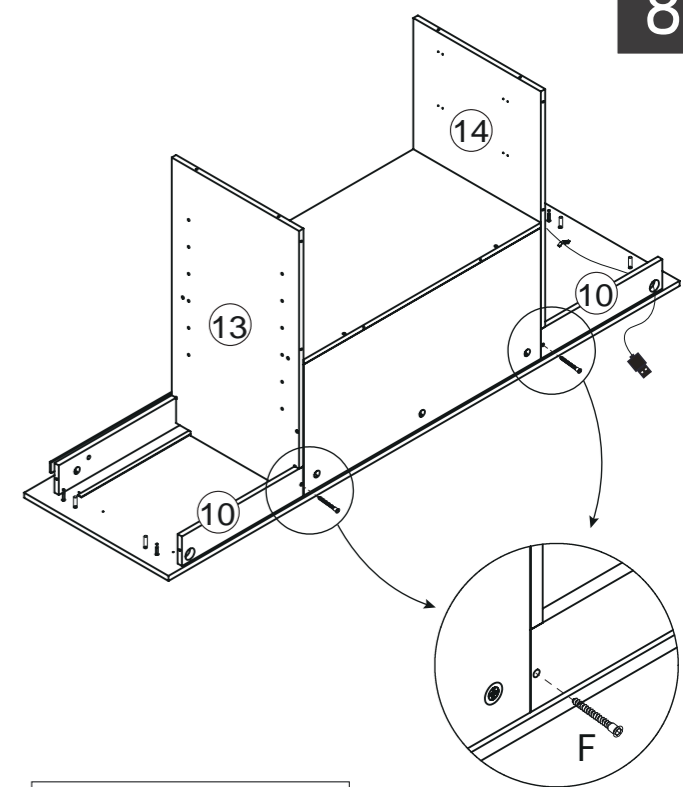


7



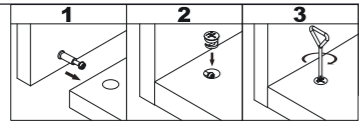
I		11
---	--	----

8

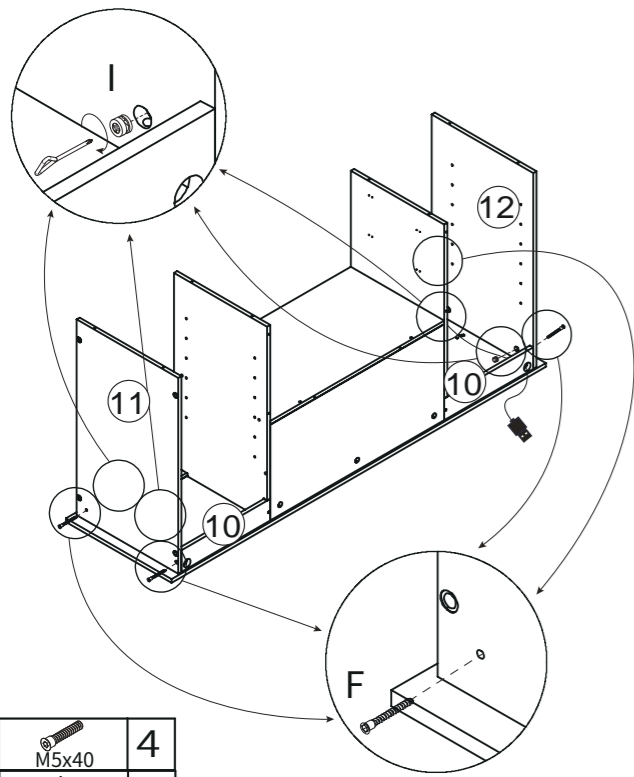


**!** Fully tighten all the screws.

F	M5x40	2
---	-------	---



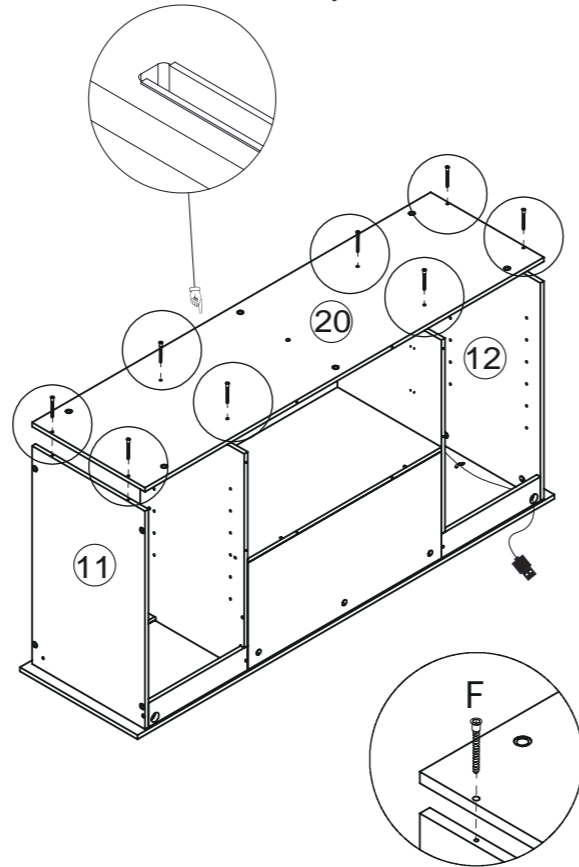
9



F	M5x40	4
I		4

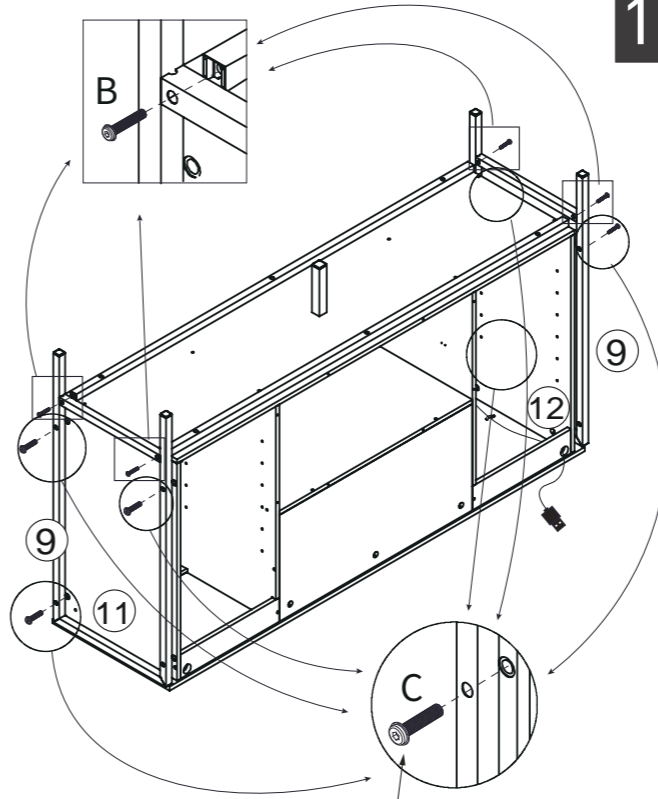
The notch faces this way.

10



F	M5x40	8
---	-------	---

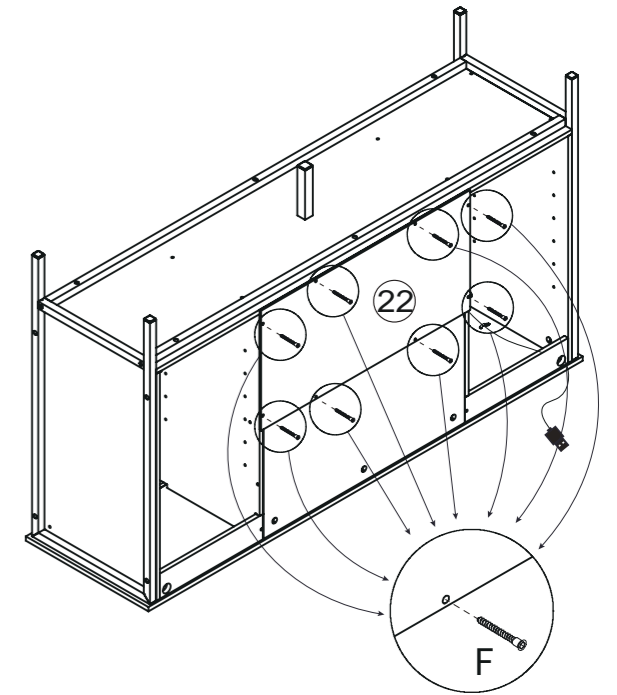
13



B	M8x40	4
C	M8x30	6

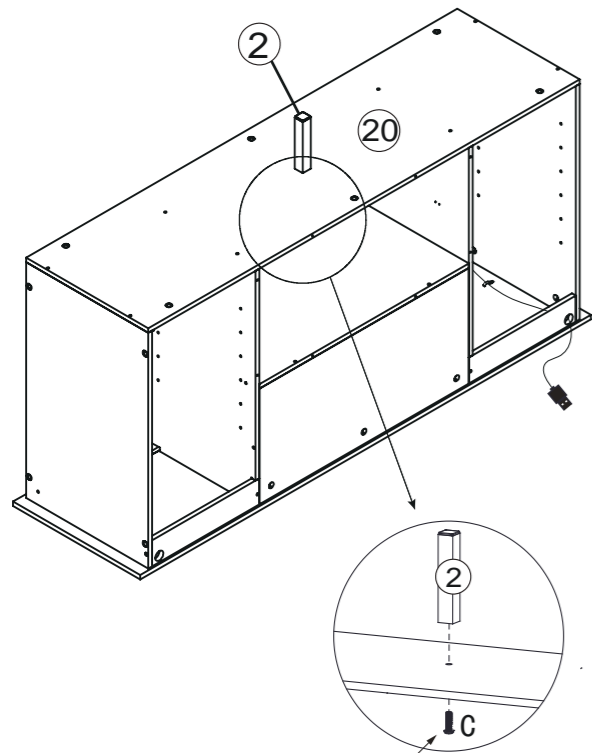
Screw head with movable gasket.

14



F	M5x40	8
---	-------	---

11

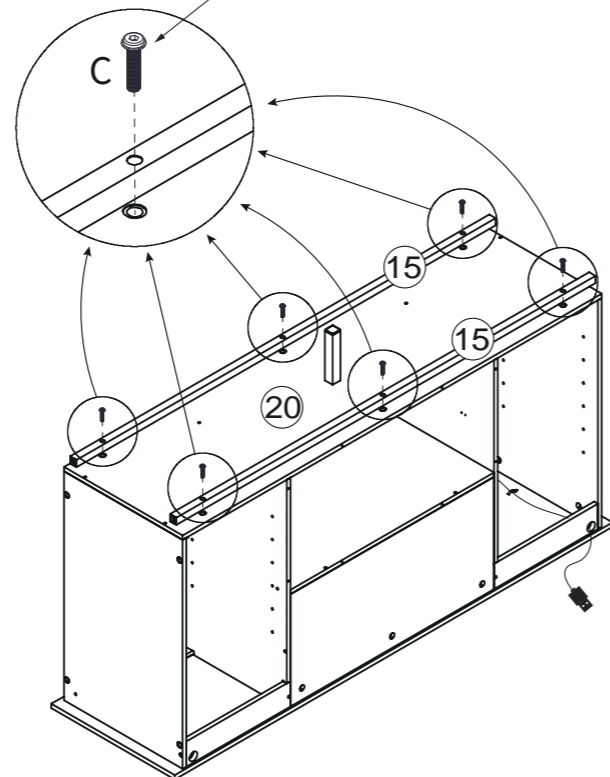


C	M8x30	1
---	-------	---

Screw head with movable gasket.

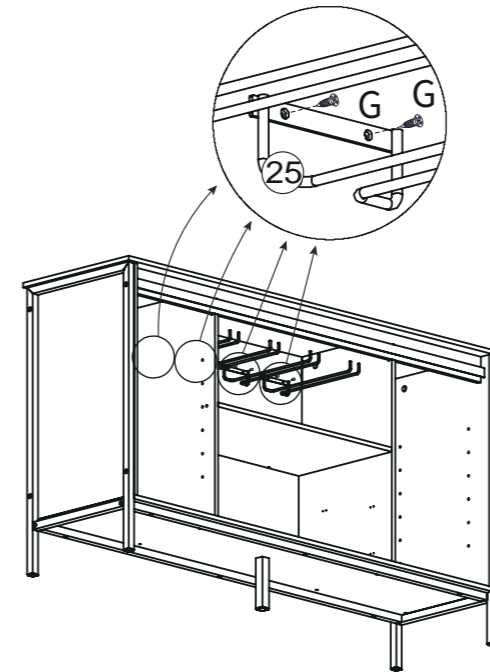
12

Screw head with movable gasket.



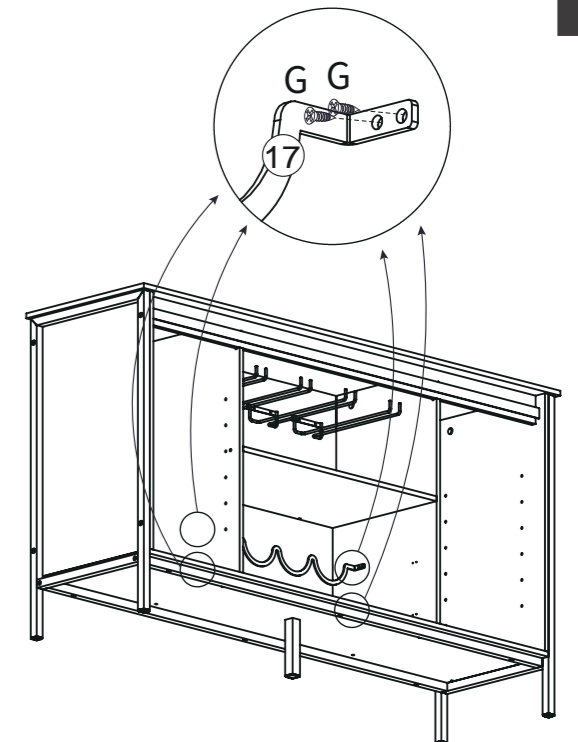
C	M8x30	6
---	-------	---

15



G	ST4x12	8
---	--------	---

16



G	ST4x12	8
---	--------	---