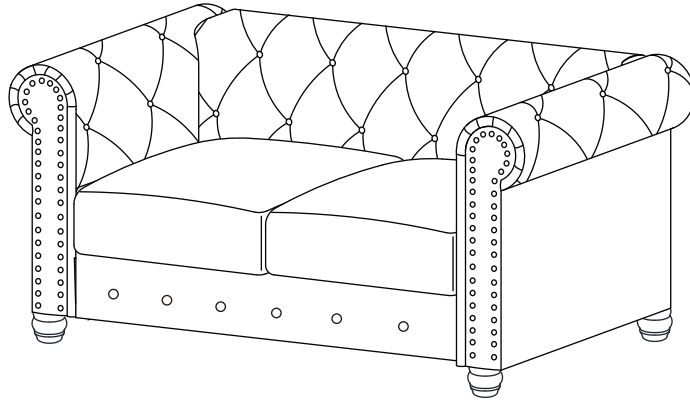


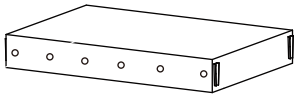
ASSEMBLY INSTRUCTIONS

LOVESEAT



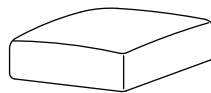
PARTS

#1 1pc



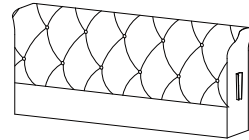
SEAT FRAME

#2 2pcs



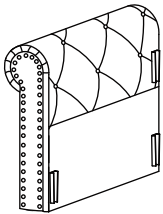
SEAT CUSHION

#3 1pc



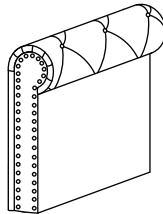
BACKREST

#4 1pc



LEFT ARM

#5 1pc



RIGHT ARM

HARDWARE

#A 4 pcs



WOODEN LEG

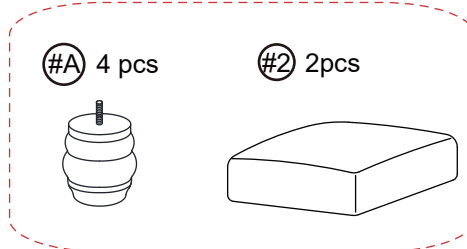
ASSEMBLY INSTRUCTIONS

1

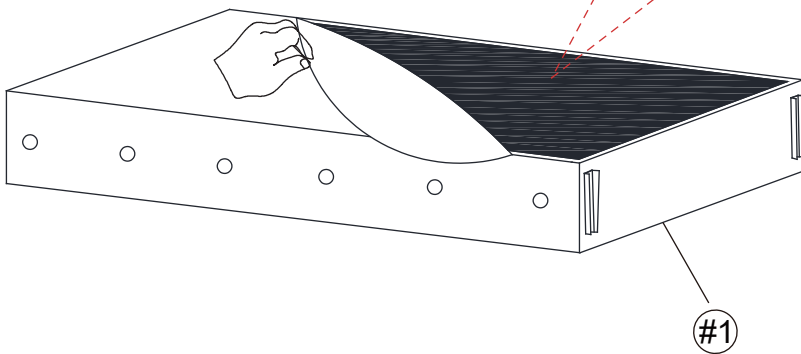
Part #1 x1pc

Part #2 x2pcs

Part #A x4pcs



Take out the Seat Cushion(#2) and Wooden Leg(#A) from bottom.

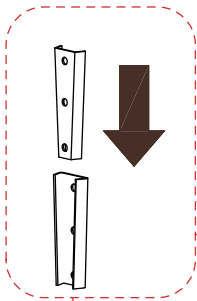


2

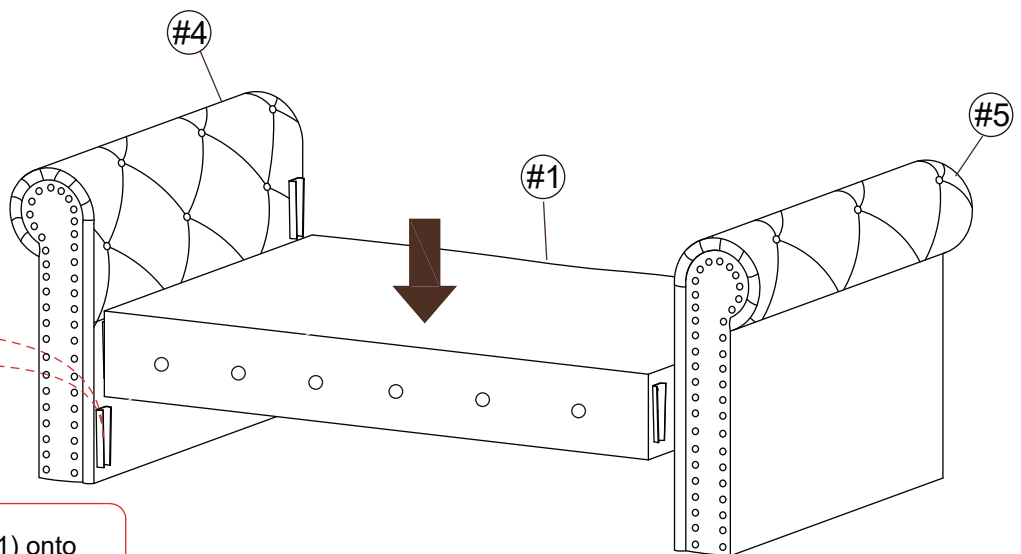
Part #1 x1pc

Part #4 x1pc

Part #5 x1pc



Hook the Seat Frame(#1) onto the Left Arm(#4) & Right Arm(#5) properly.



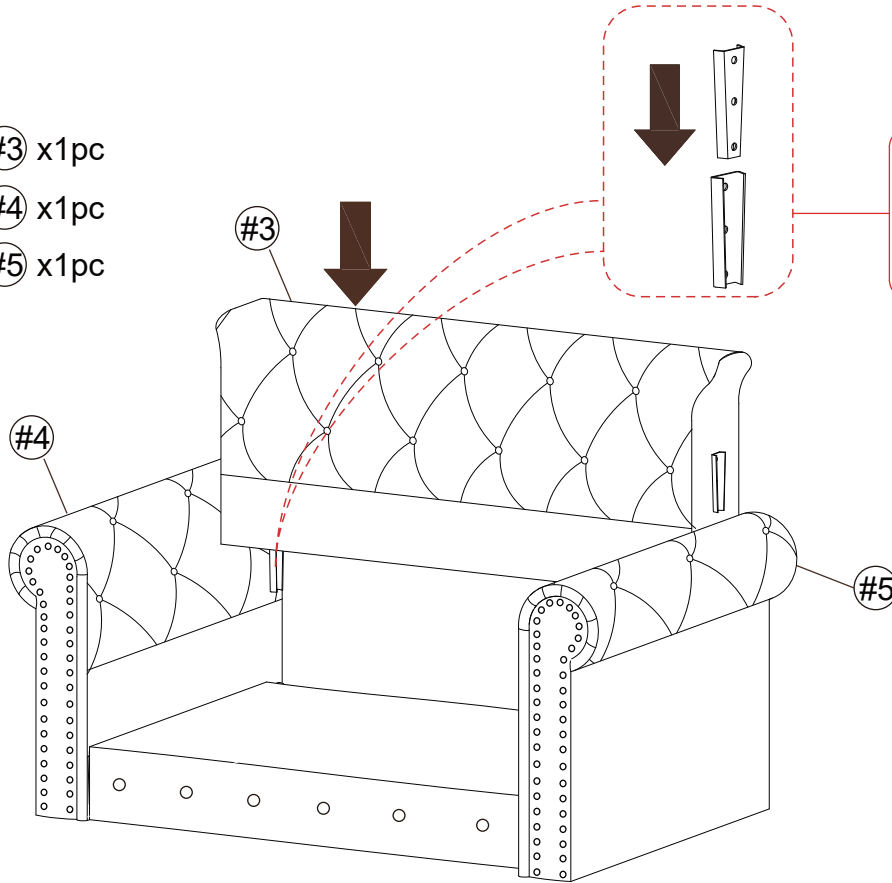
ASSEMBLY INSTRUCTIONS

3

Part #3 x1pc

Part #4 x1pc

Part #5 x1pc



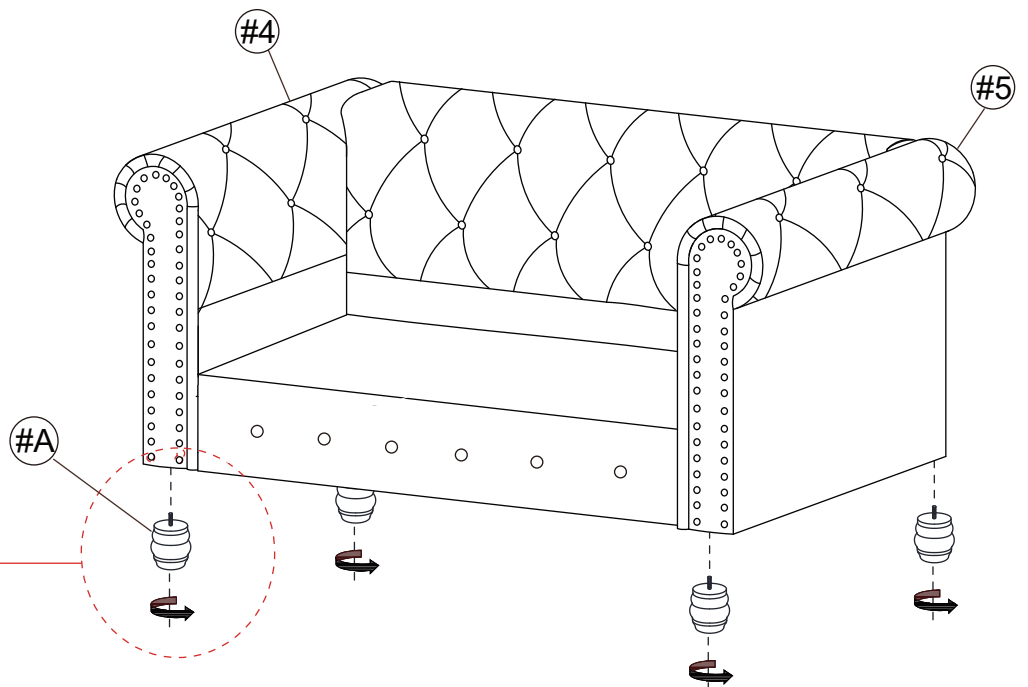
Hook the Backrest (#3) onto the Left Arm(#4) & Right Arm(#5) properly.

4

Part #4 x1pc

Part #5 x1pc

Hardware #A x4pcs

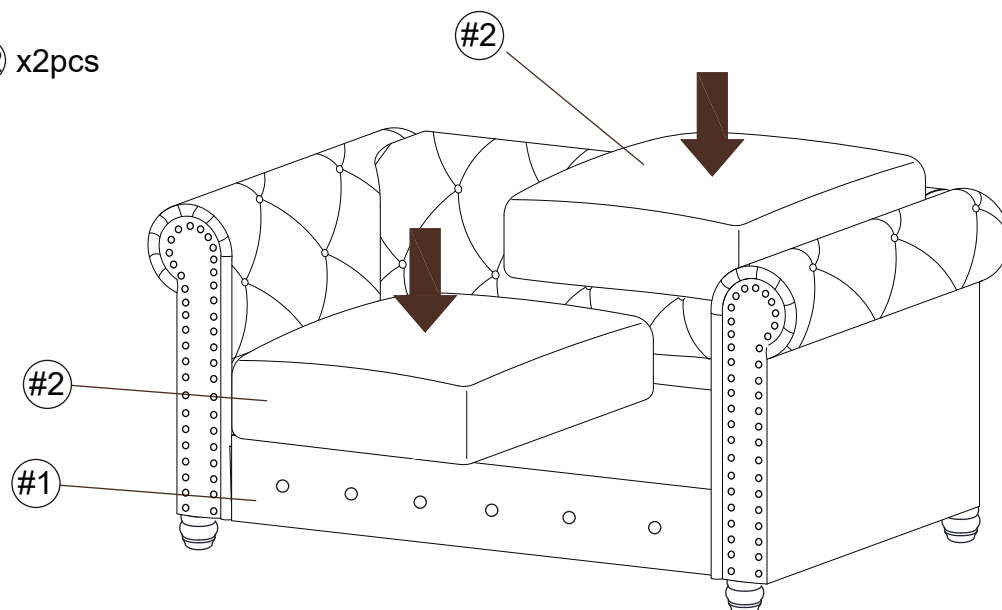


Align the Wooden Leg(#A) to Left Arm(#4) & Right Arm(#5) to the pre-drilled holes, then tighten the Wooden Leg(#A).

ASSEMBLY INSTRUCTIONS

5

Part #2 x2pcs



Put the Seat Cushion(#2)
on Seat Frame(#1)