



## **LH618E4** **9 Drawers Double Dresser**

**ASSEMBLY INSTRUCTIONS** - please keep for future reference.  
**IMPORTANT** - please read these instructions before assembly.  
**CUSTOMER SUPPORT** - [support@linsyhome.com](mailto:support@linsyhome.com)



# Safety And Maintanances

**Important - Please read these instructions fully before starting assembly.**

Please check if all the components and tools listed on pages 5-7 are received.

Please remove all fittings from the plastic bags and separate them into homologous groups.

Please keep children and animals away from the working areas; swallow small parts may cause suffocation.

Please make sure you have enough space to lay out the parts before starting.

Do not stand on the product, which could cause damage.

Please assemble the product as close to its final position as possible.

Do not place furniture directly in front of radiators, fires, or any other source of heat.

The assembly will be easier with 2 people.

Please dispose of all packaging carefully and responsibly.



## General care and maintenance.

Please clean with a damp cloth or mild detergent, do not use bleach or abrasive cleaners.

Do not allow the spill to stay on the surface for a long time.

Do not clean with products containing the following: acetone (e.g., nail varnish remover), ammonia (e.g.bleach), or sodium hydroxide(e.g., caustic soda, drain, and oven cleaners).

If the product is accidentally exposed to the irritating liquid, rinse thoroughly with clean water

Mats can be used to protect surfaces from moisture and heat.

Please check whether there are missing screws in the product regularly

The product should not be discarded with household waste, and please take it to your local authority waste disposal center.

## Return policy

LINSY believes you will absolutely love your new addition to your home, but if for some reason you want to return the product, please contact us directly. Our customer service team will solve your problems and give you the best solutions. Please contact us first by email: [support@linsyhome.com](mailto:support@linsyhome.com)

NOTE: Returned items must be in undamaged condition, in their original box with all original proof of purchase, parts and accessories.

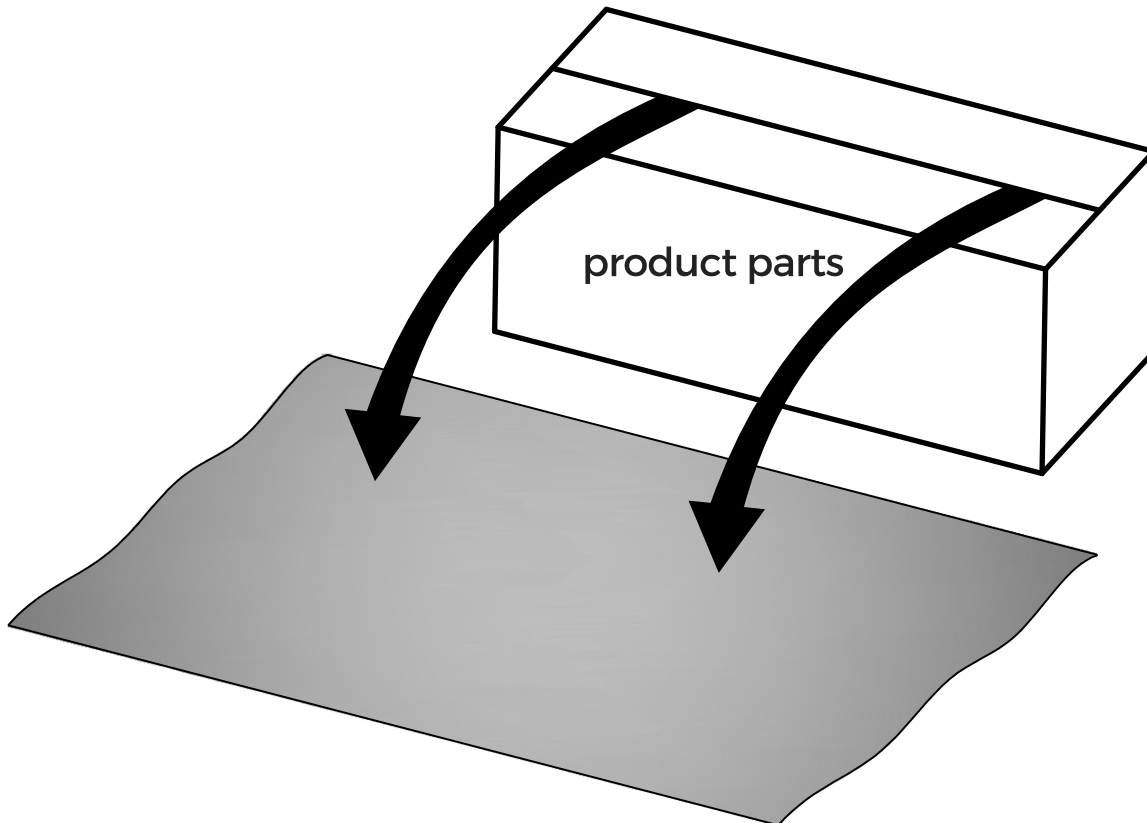


## Safety And Maintanances

Important - Please read these instructions fully before starting assembly.



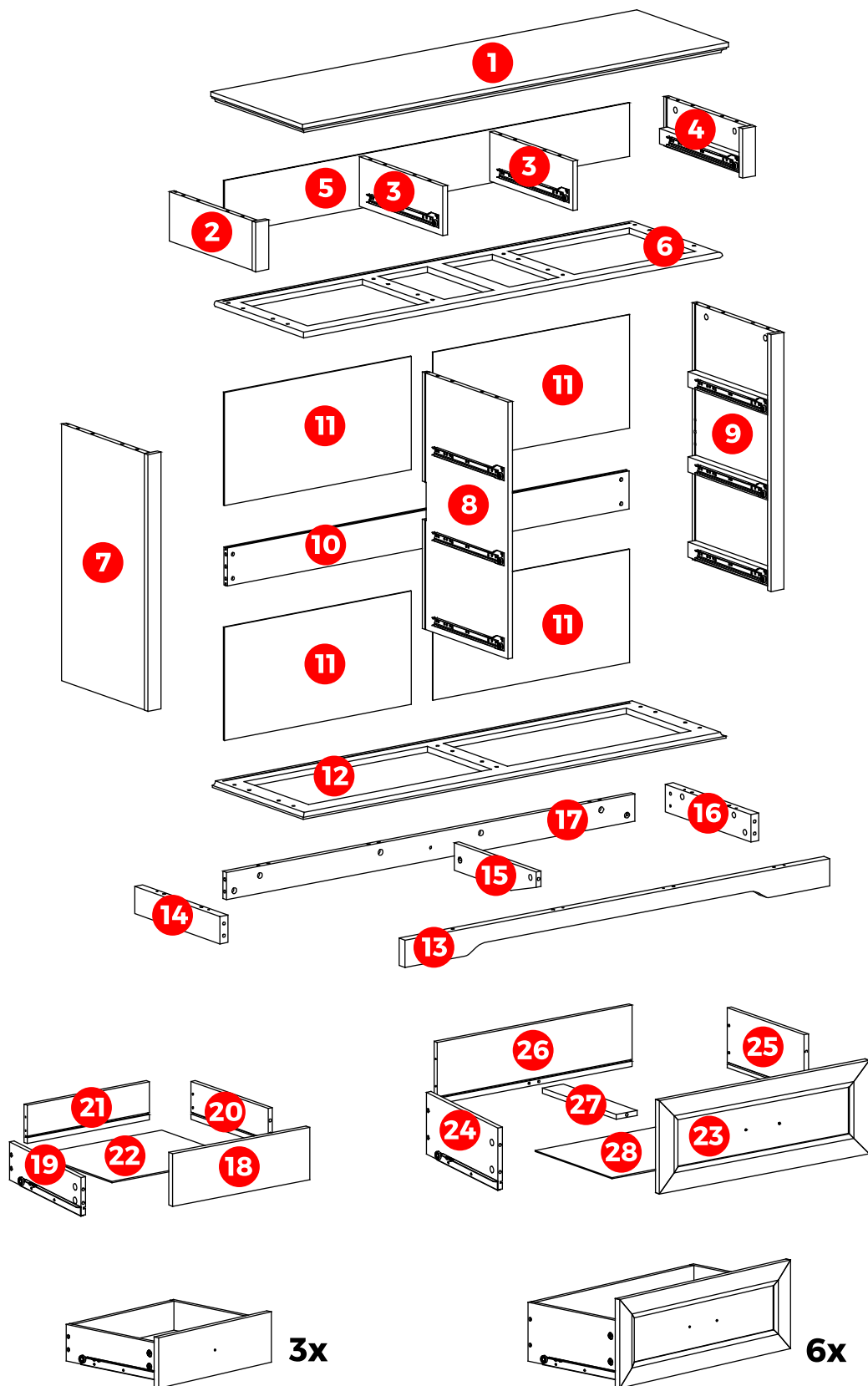
We strongly recommend two people to install this product.



Lay a piece of clean paper or carpet on the floor, then put the product parts on it to prevent scratching.

# Components

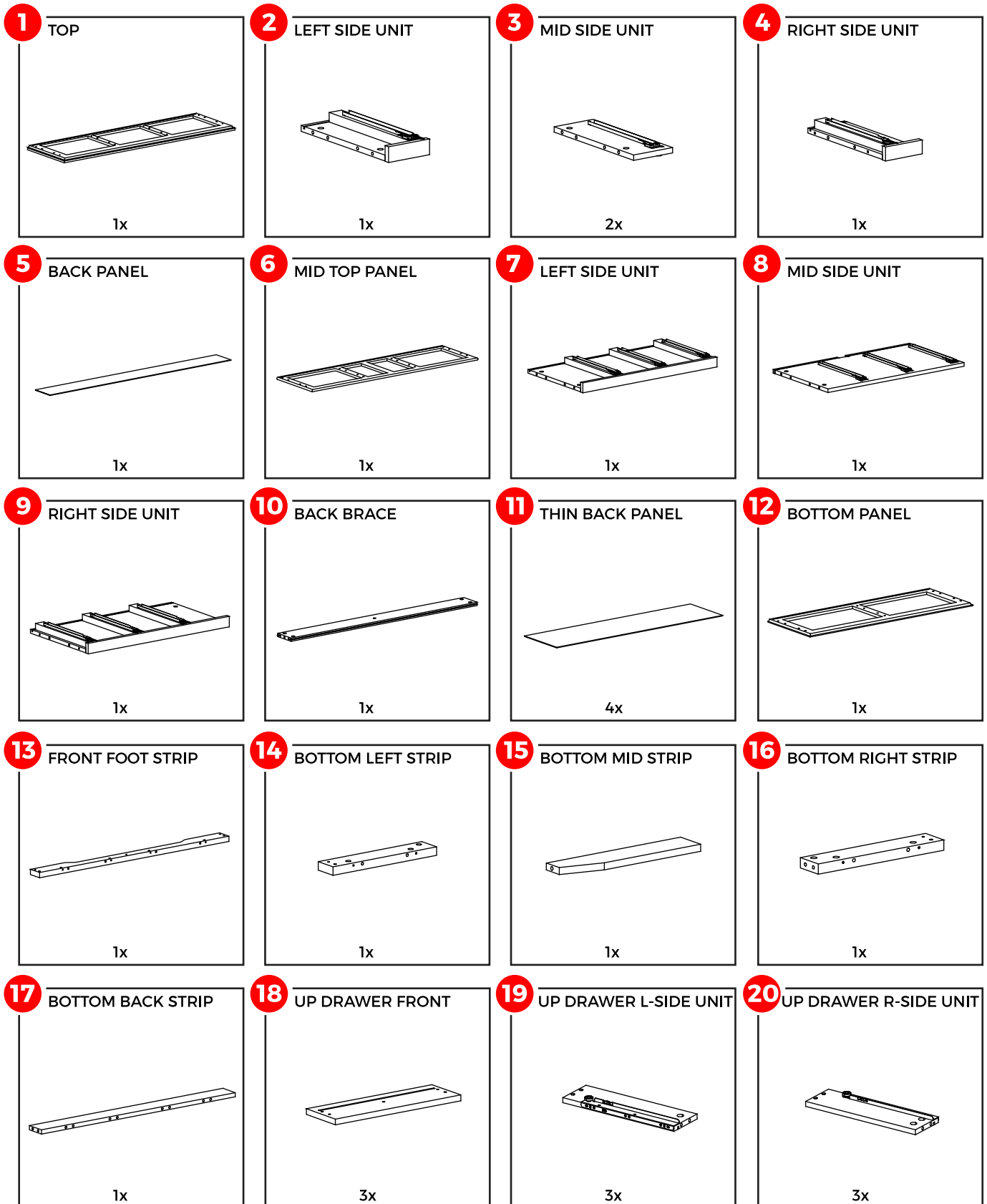
Please check if all the pieces listed below are received.



# Components

Please check if all the pieces listed below are received.

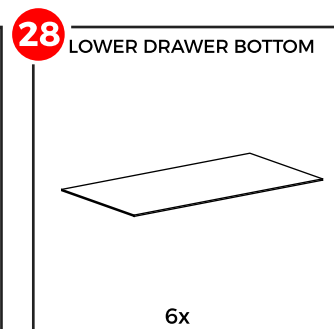
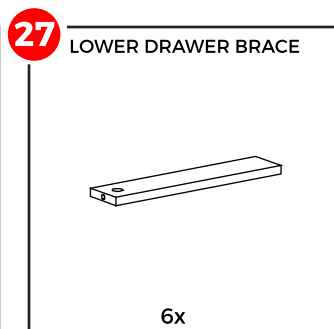
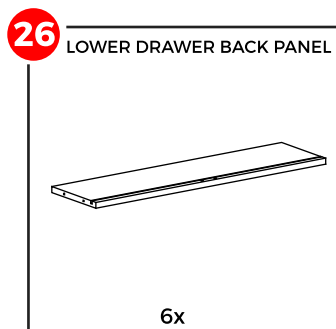
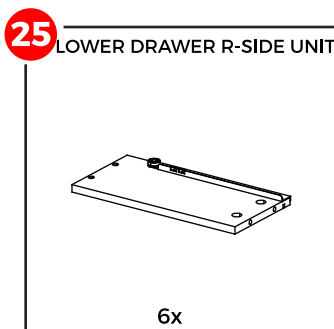
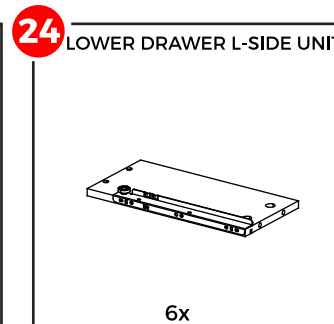
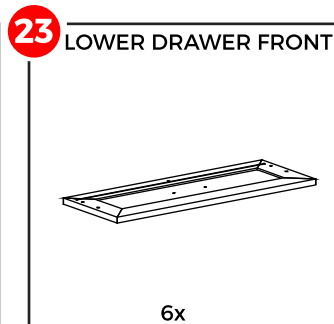
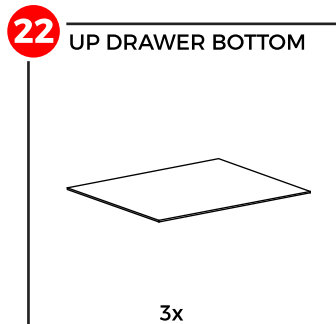
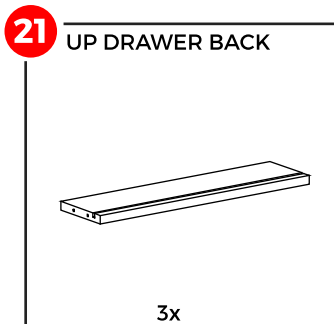
## Parts



# Components

Please check if all the pieces listed below are received.

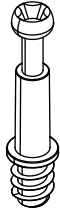


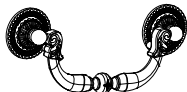
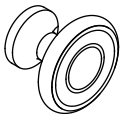
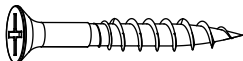
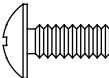

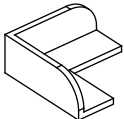
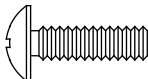

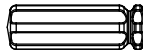
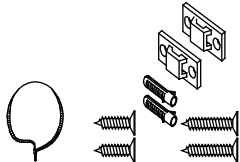
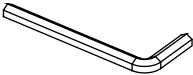
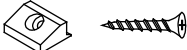
## Parts



# Components

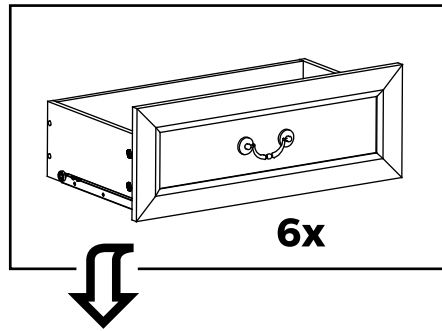
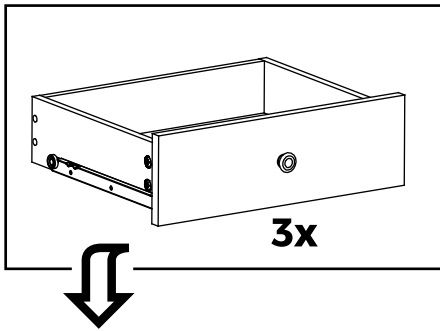
Please check if all the pieces listed below are received.

## Hardware

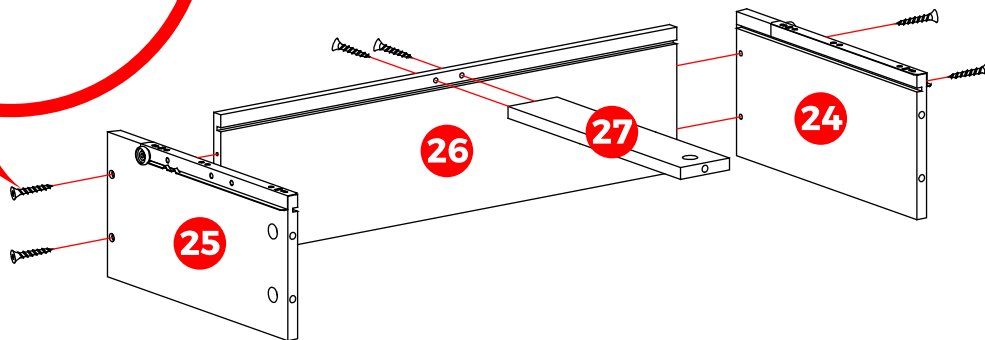
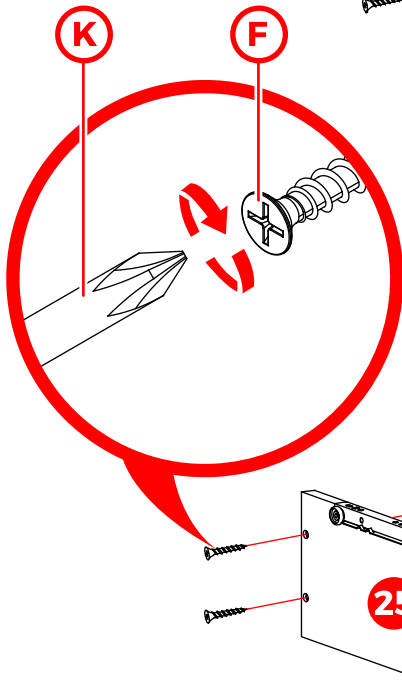
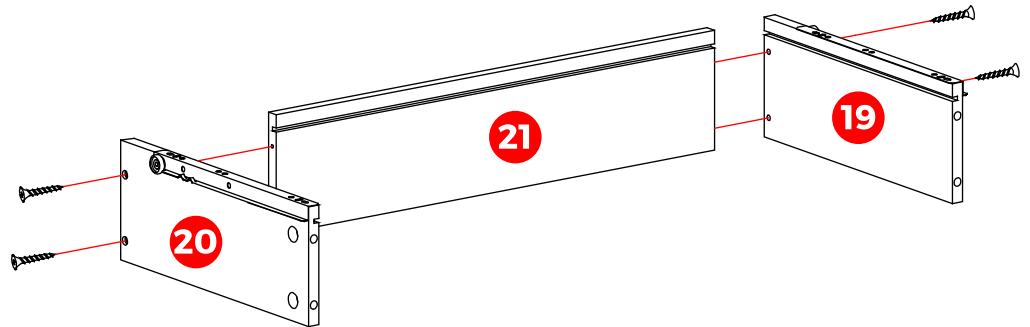
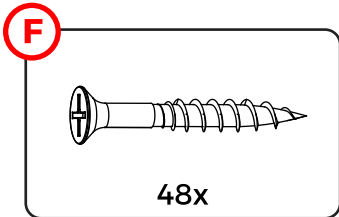
<b>A</b> TWO-IN -ONE SCREW  78x	<b>B</b> TWO- IN -ONE CAM  78x	<b>C</b> WOOD TENON  8*30 MM 47x	<b>D</b> HANDLE  6x
<b>E</b> HANDLE  3x	<b>F</b> SELF-TAPPING SCREW  M4*35 MM 48x	<b>G</b> BOLT  M4*10 MM 12x	<b>H</b> SCREW  15x
<b>I</b> ANTI-COLLISION PROTECTIVE  4x	<b>J</b> BOLT  M4*20 MM 3x	<b>K</b> SCREWDRIVER   1x	<b>L</b> FURNITURE ANCHORS  1x
<b>M</b> HEXAGON SCREWDRIVER  1x	<b>O</b> BRACE & SCREW  20x		

# Assembly Instructions

**CAUTION : Inappropriate installation of screws will cause damages to the product !**



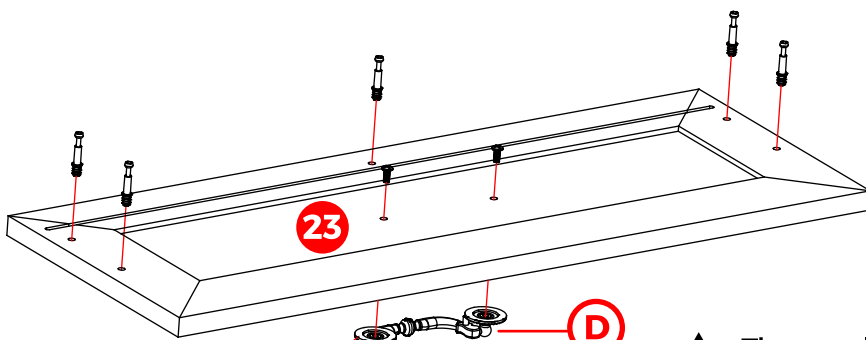
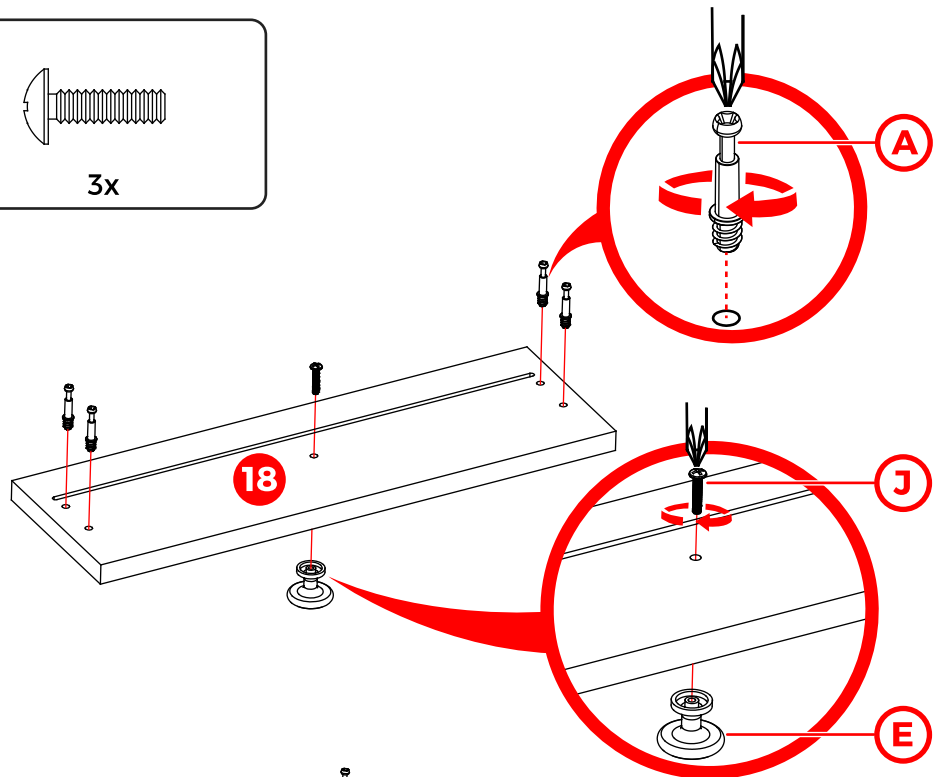
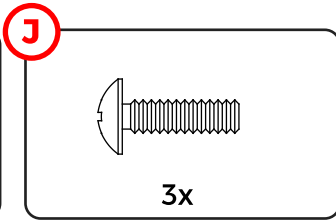
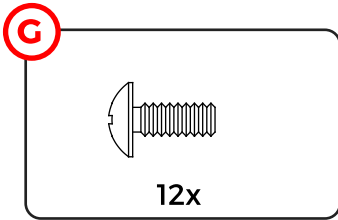
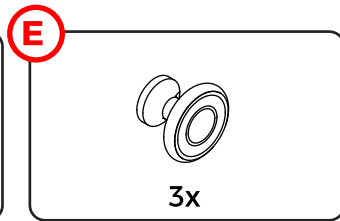
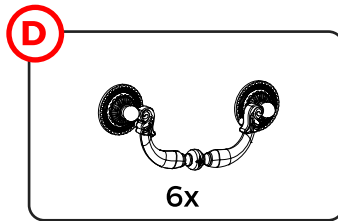
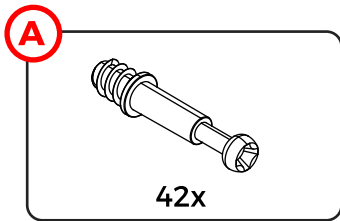
## Step 1



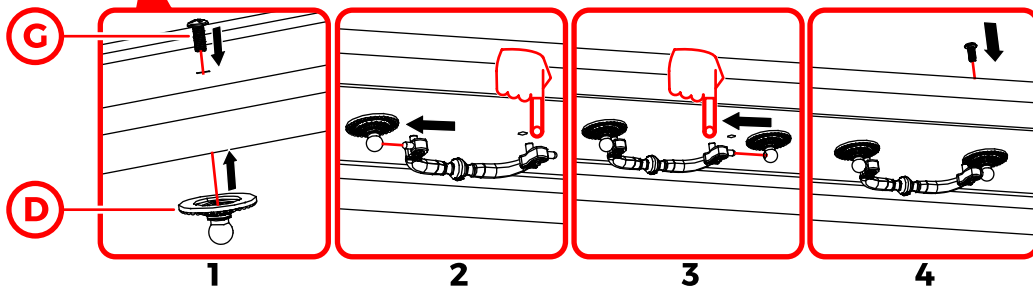
# Assembly Instructions

**CAUTION : Inappropriate installation of screws will cause damages to the product !**

## Step 2



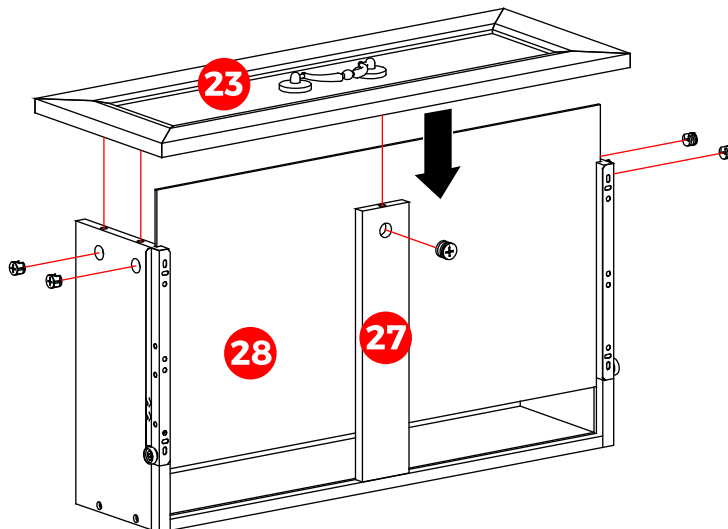
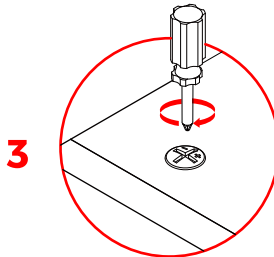
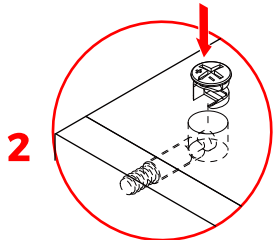
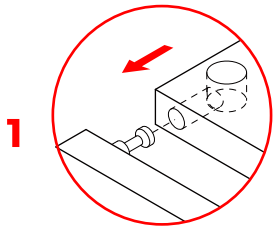
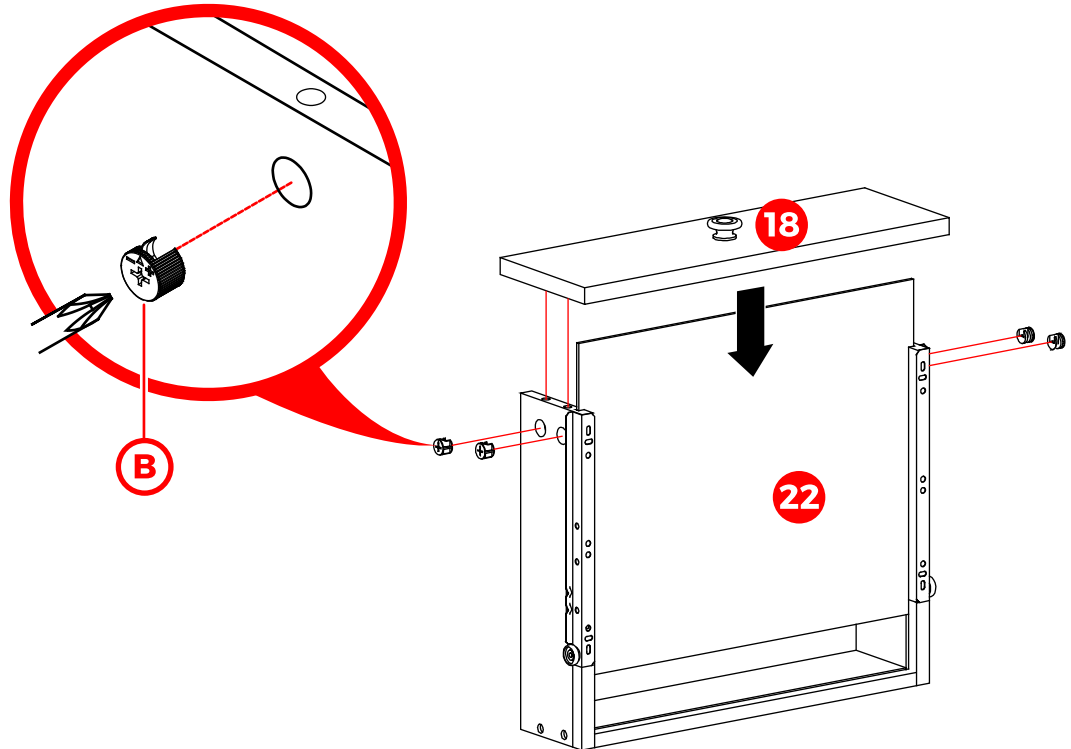
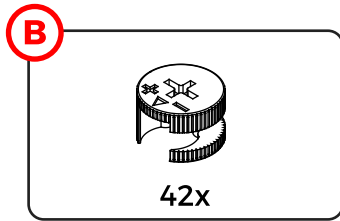
The small pillar of the handle should be facing inward



# Assembly Instructions

**CAUTION : Inappropriate installation of screws will cause damages to the product !**

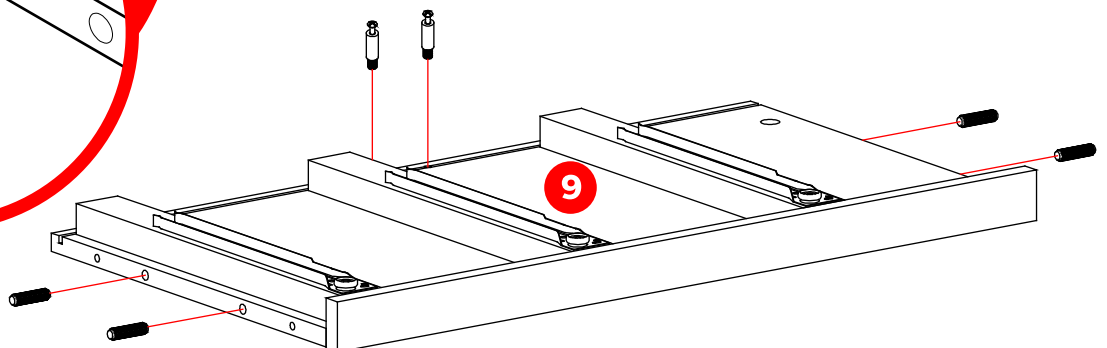
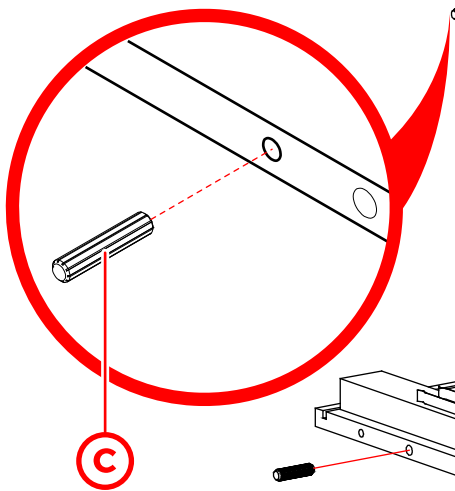
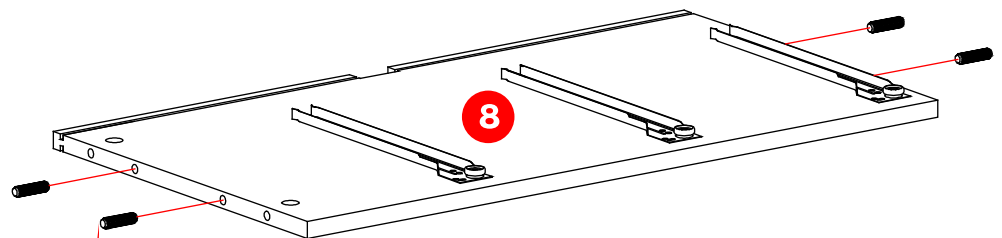
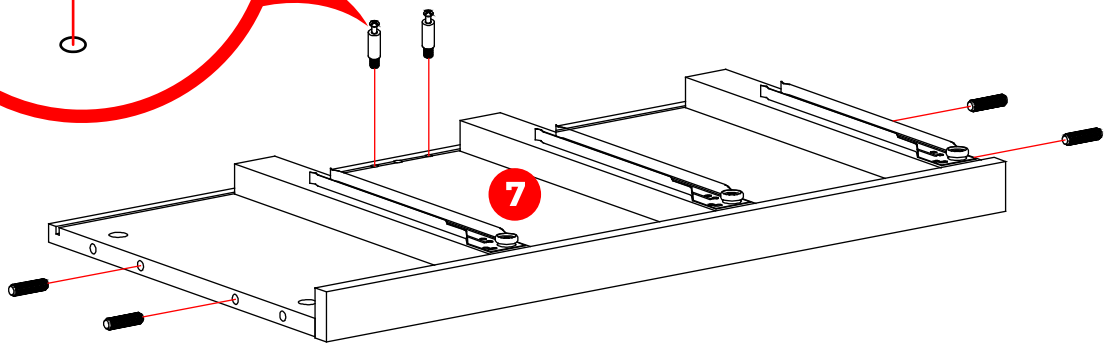
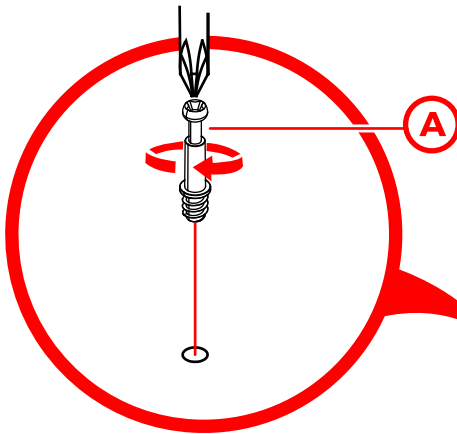
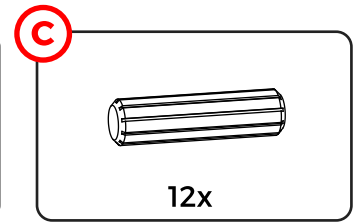
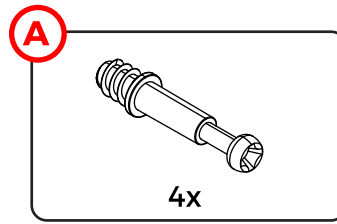
## Step 3



# Assembly Instructions

CAUTION : Inappropriate installation of screws will cause damages to the product !

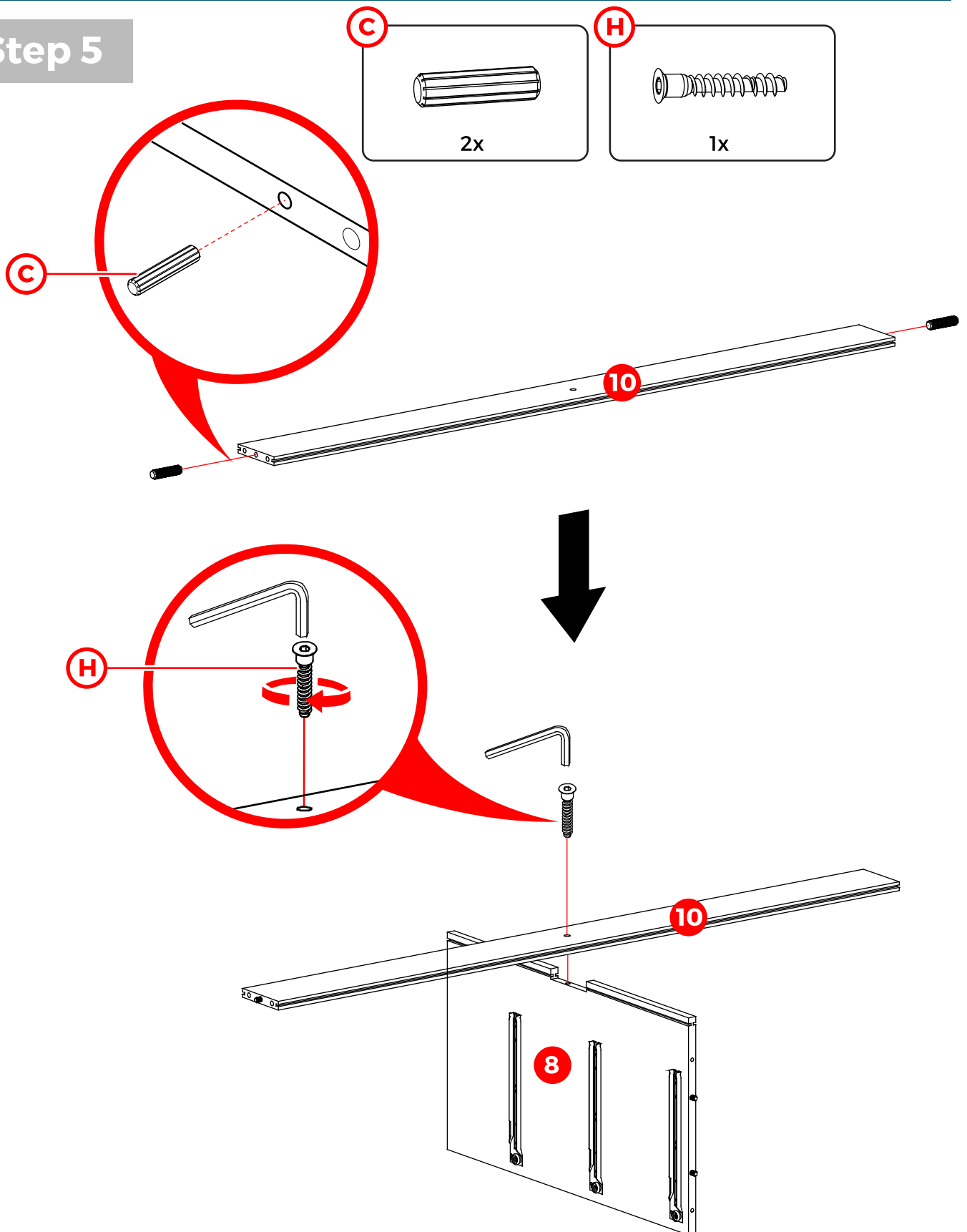
## Step 4



# Assembly Instructions

CAUTION : Inappropriate installation of screws will cause damages to the product !

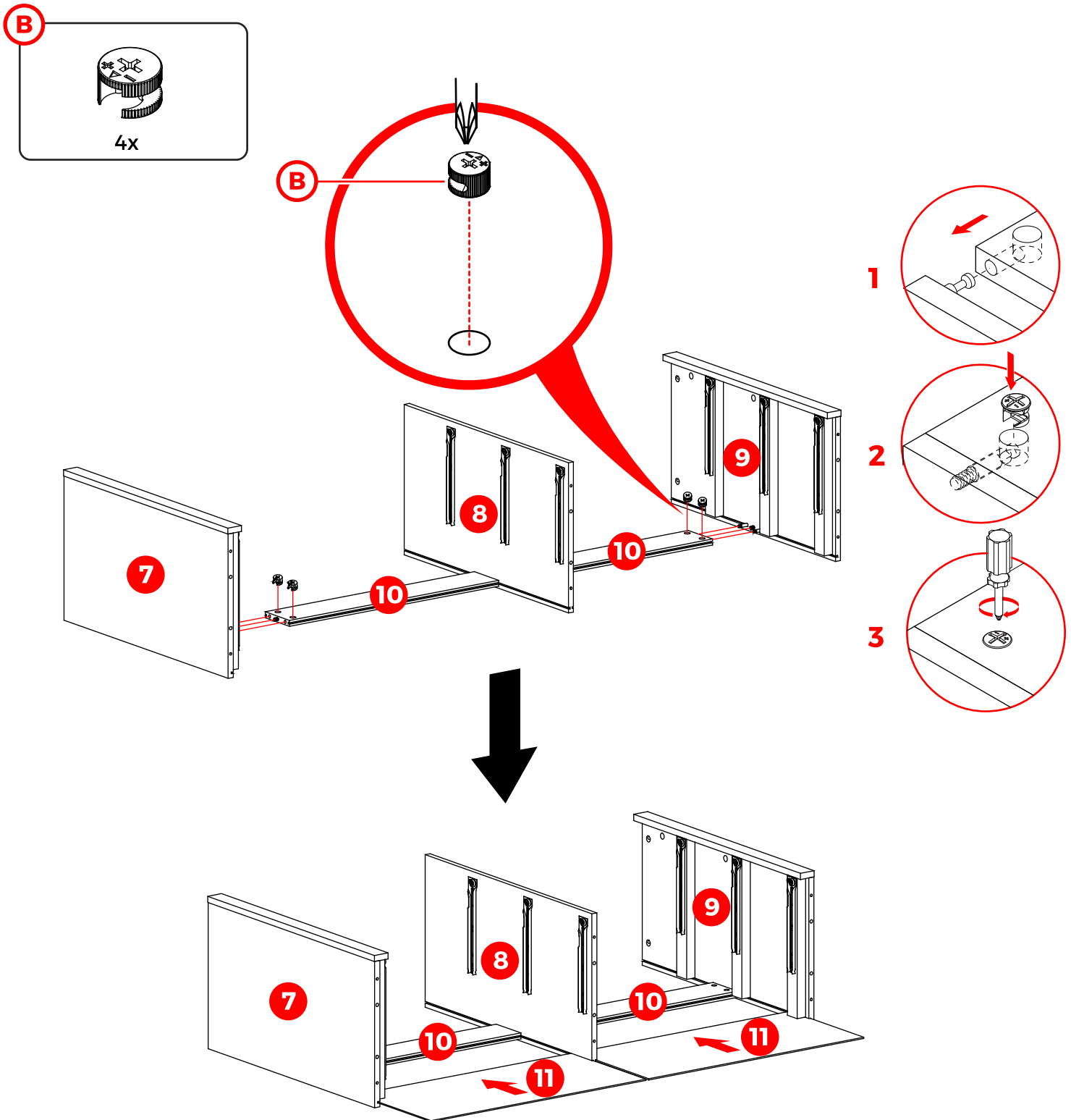
## Step 5



# Assembly Instructions

CAUTION : Inappropriate installation of screws will cause damages to the product !

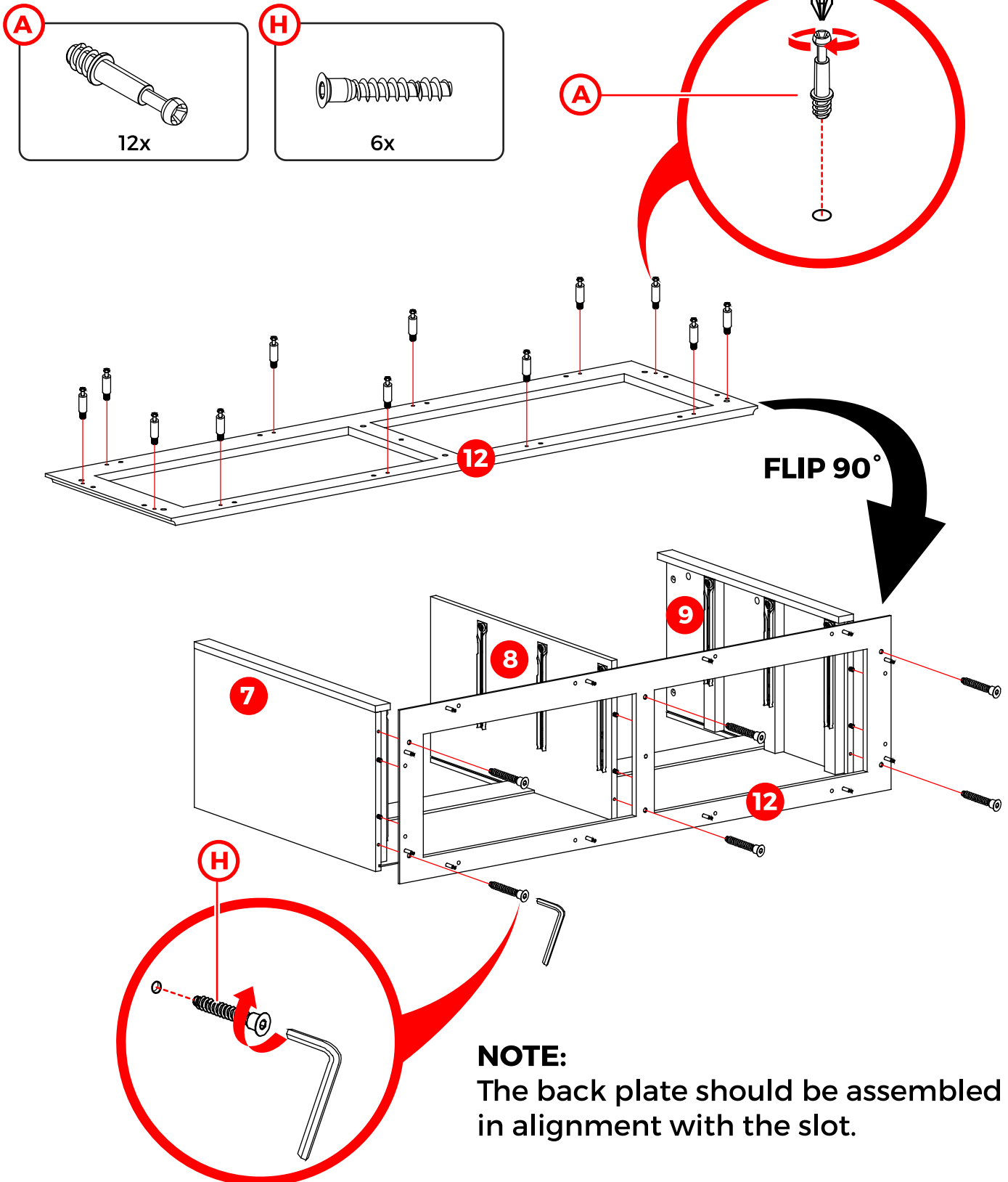
## Step 6



# Assembly Instructions

**CAUTION : Inappropriate installation of screws will cause damages to the product !**

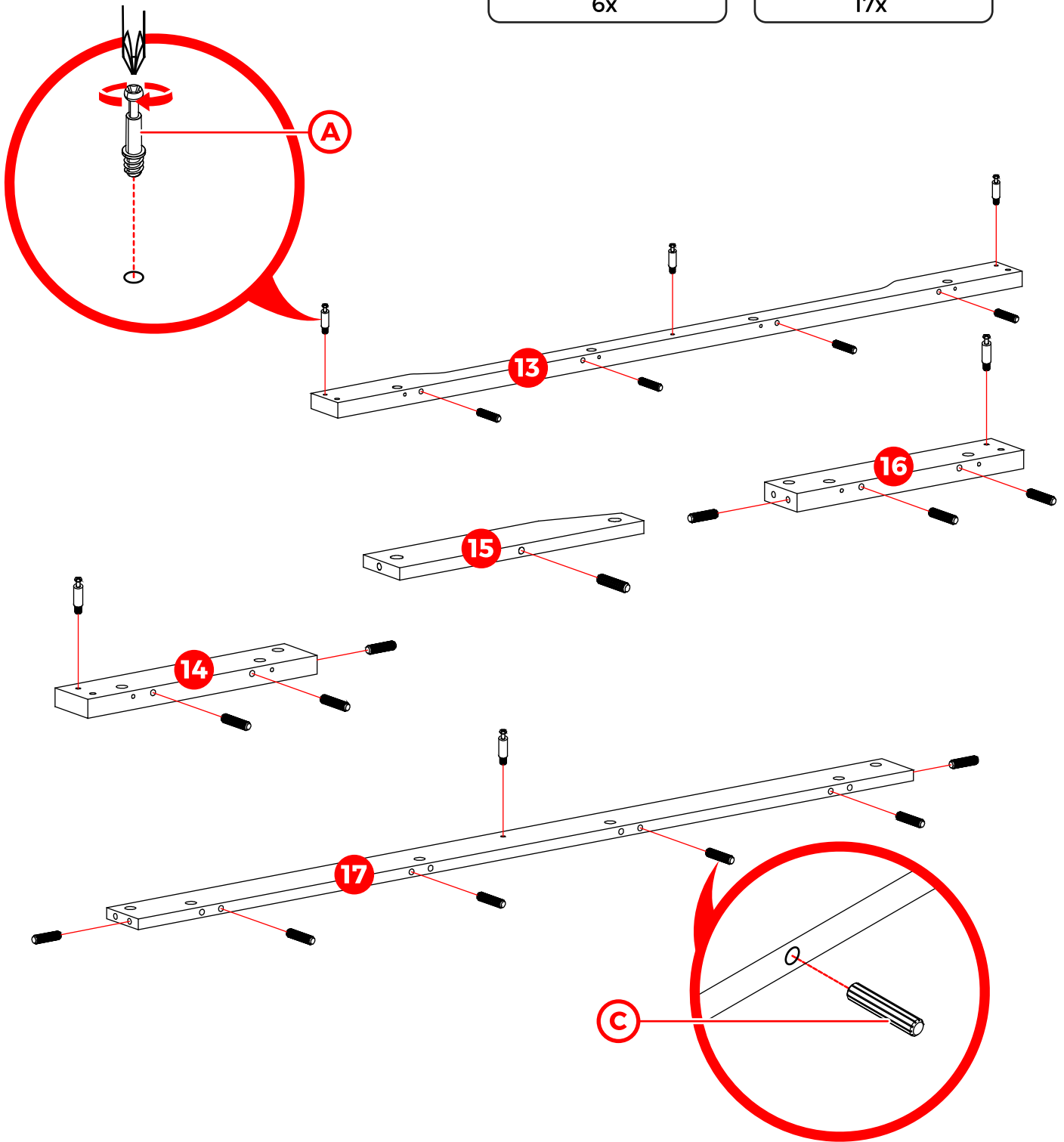
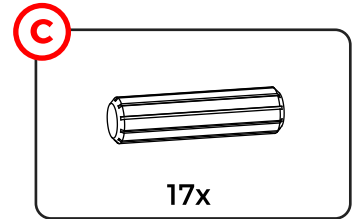
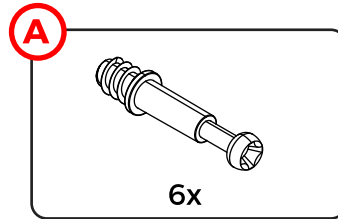
## Step 7



# Assembly Instructions

CAUTION : Inappropriate installation of screws will cause damages to the product !

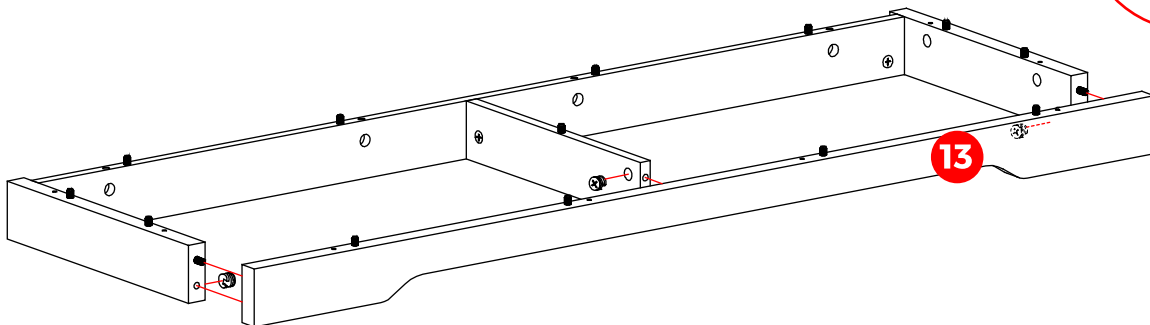
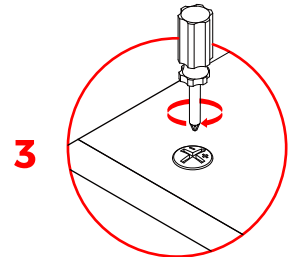
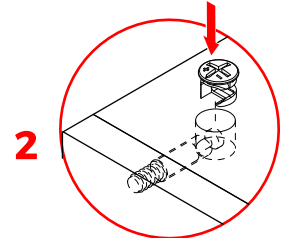
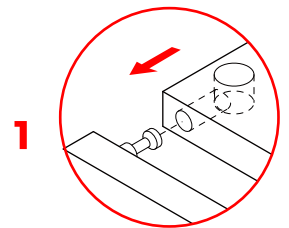
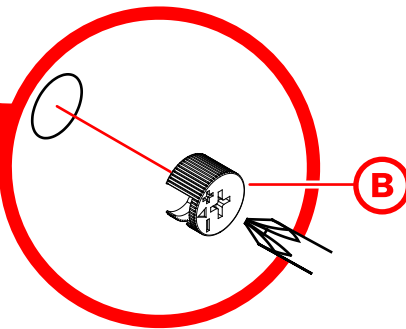
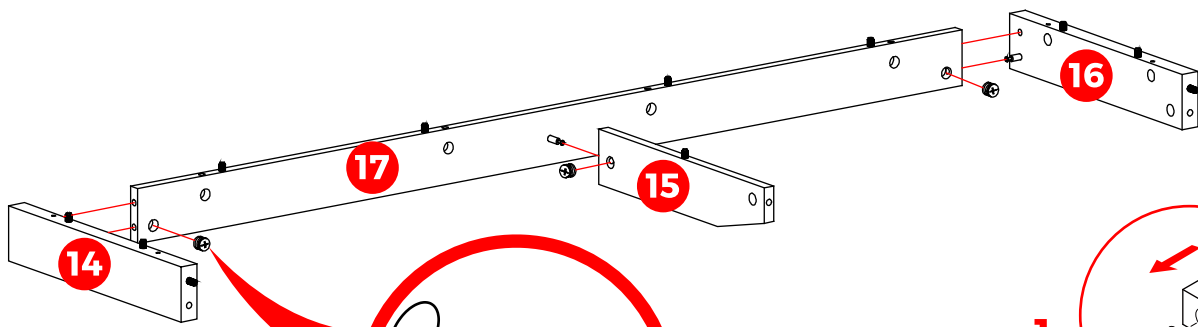
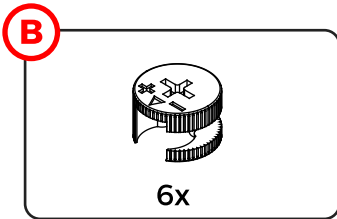
## Step 8



# Assembly Instructions

CAUTION : Inappropriate installation of screws will cause damages to the product !

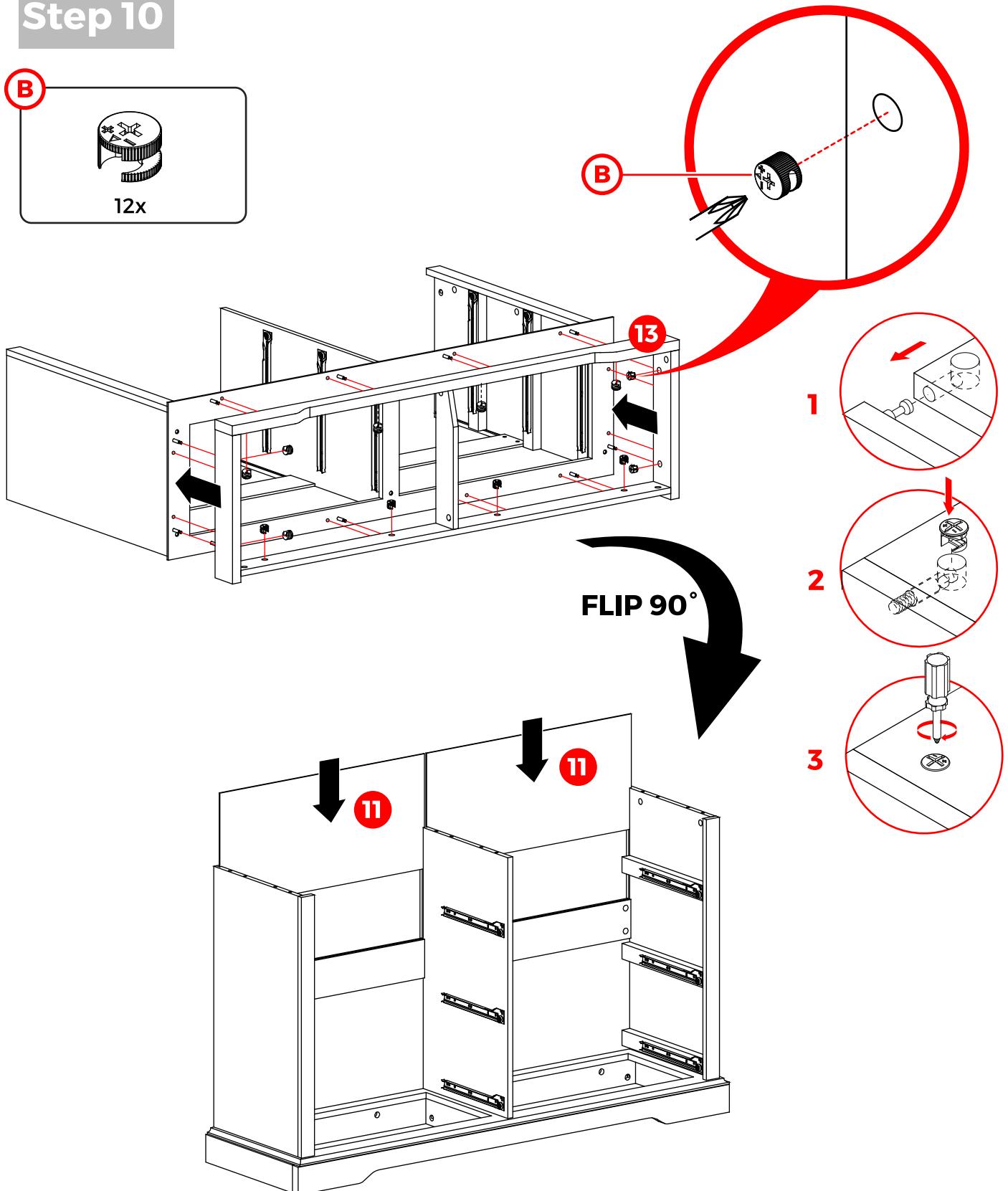
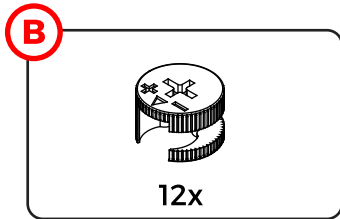
## Step 9



# Assembly Instructions

CAUTION : Inappropriate installation of screws will cause damages to the product !

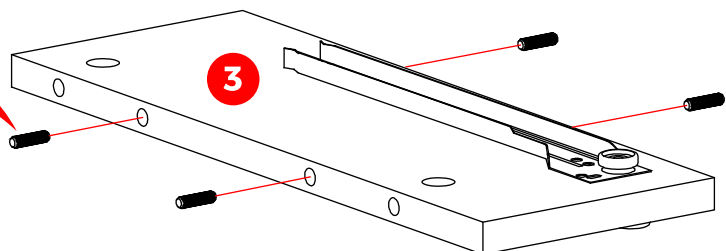
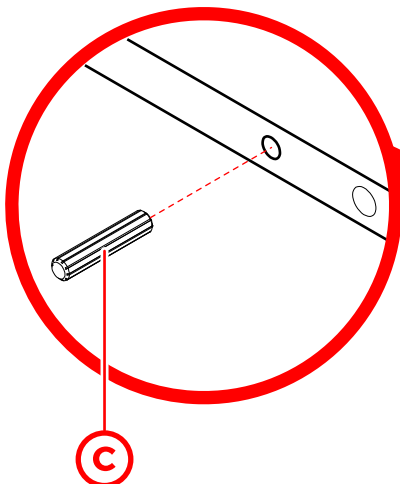
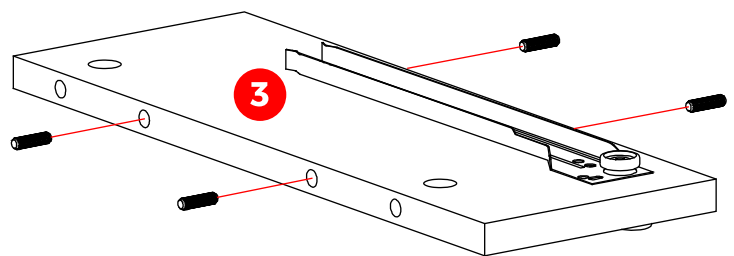
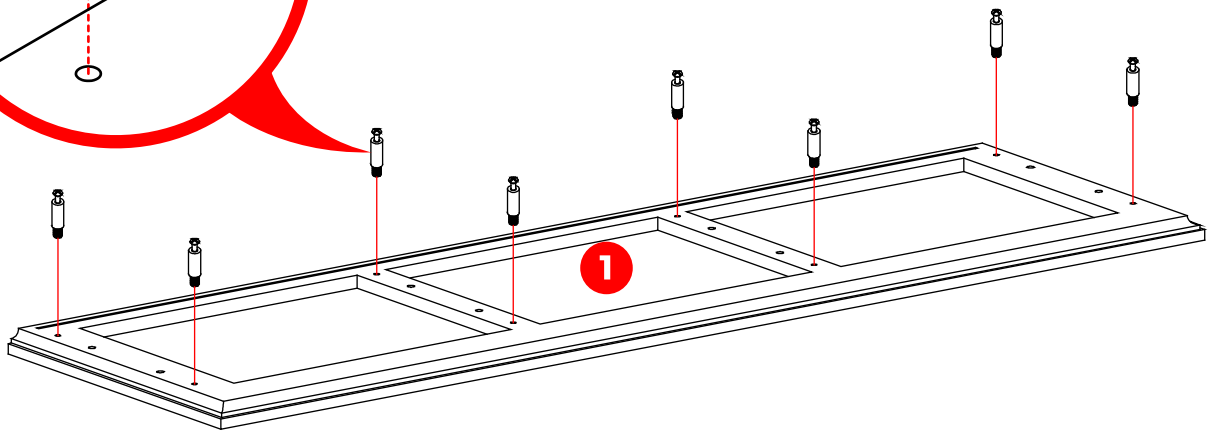
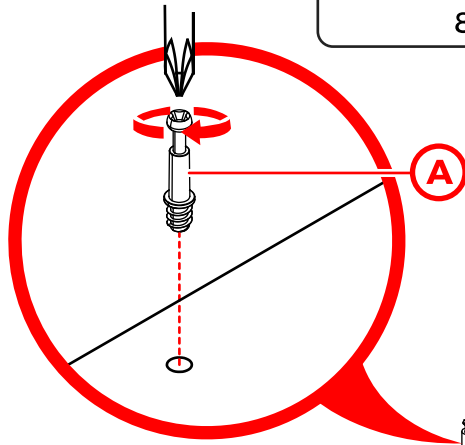
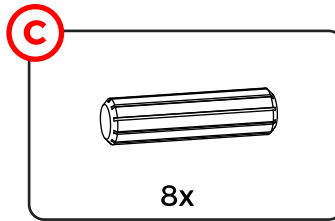
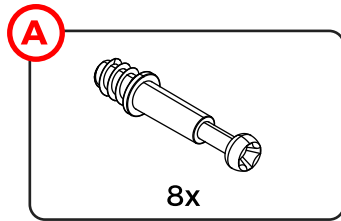
## Step 10



# Assembly Instructions

CAUTION : Inappropriate installation of screws will cause damages to the product !

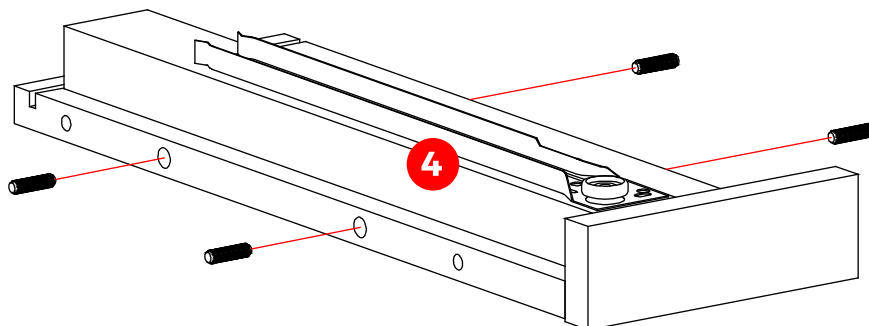
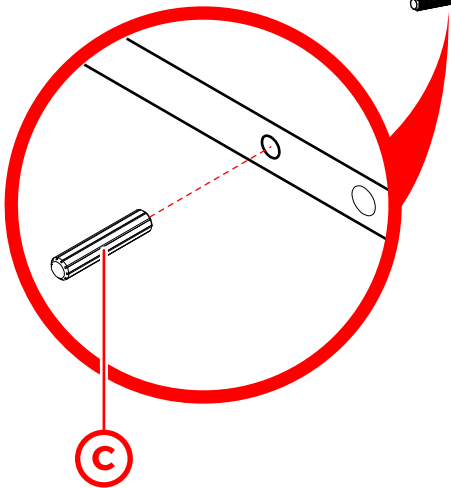
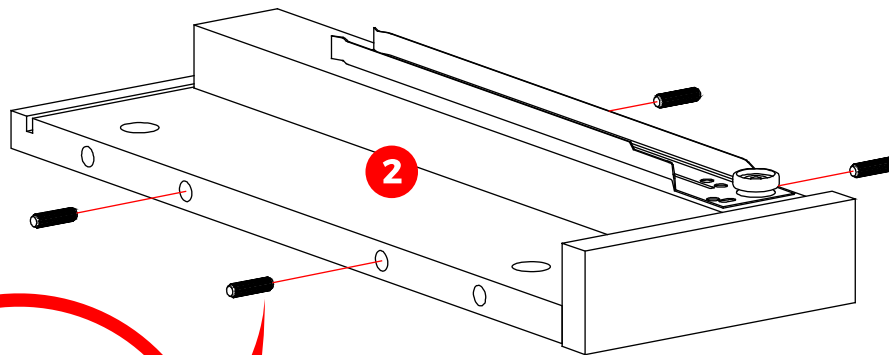
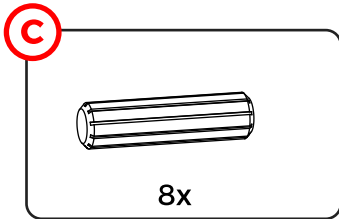
## Step 11



# Assembly Instructions

CAUTION : Inappropriate installation of screws will cause damages to the product !

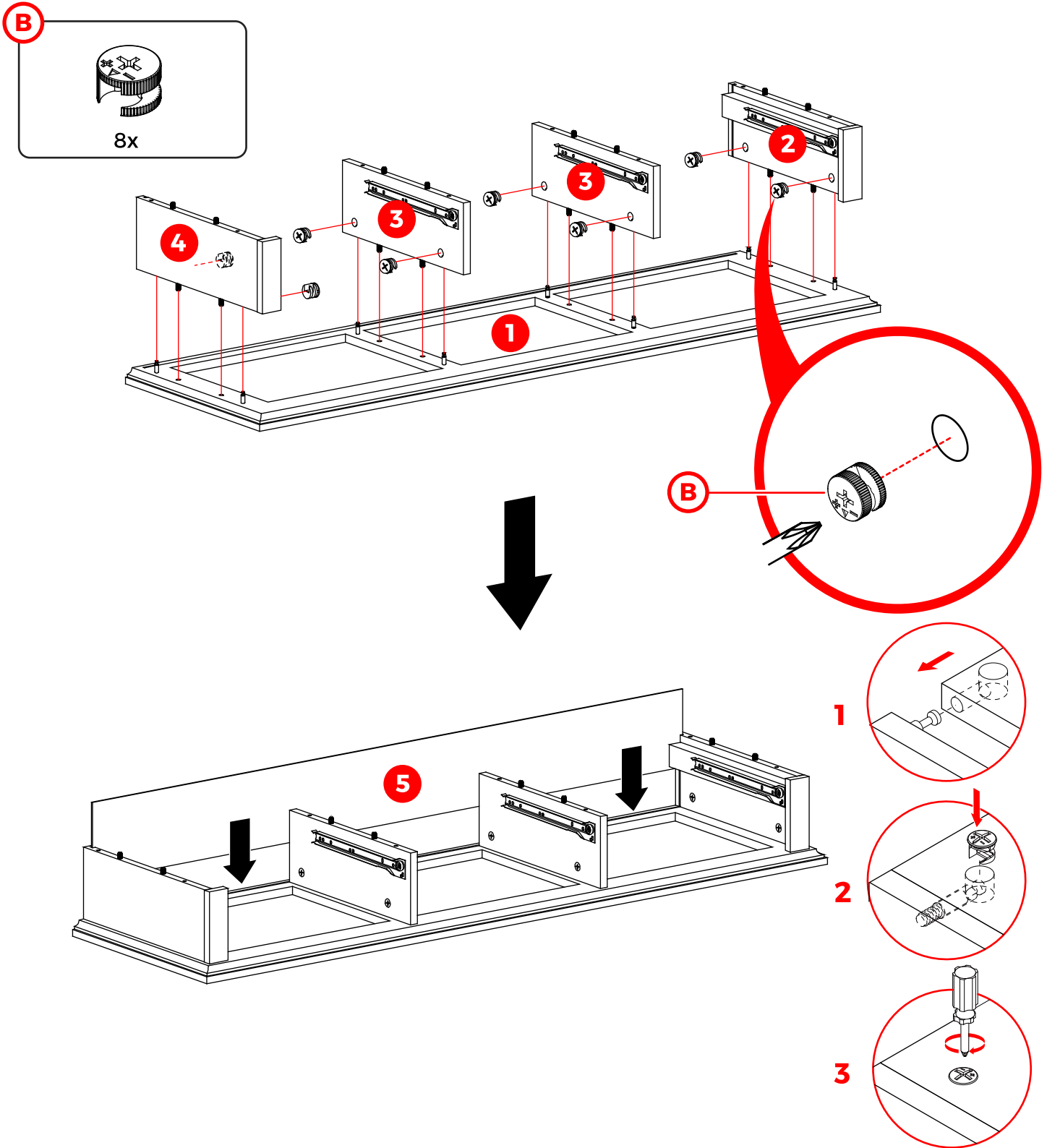
## Step 12



# Assembly Instructions

CAUTION : Inappropriate installation of screws will cause damages to the product !

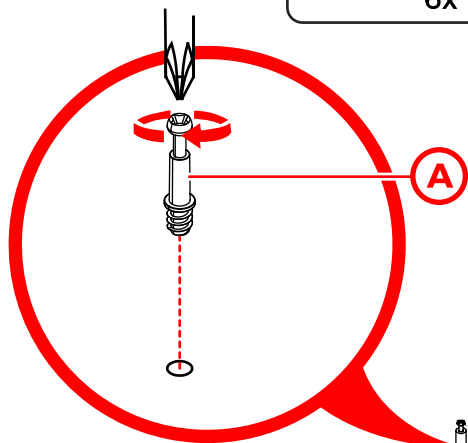
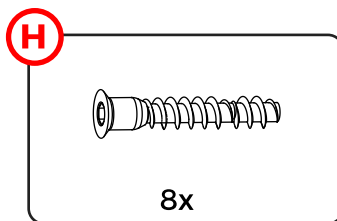
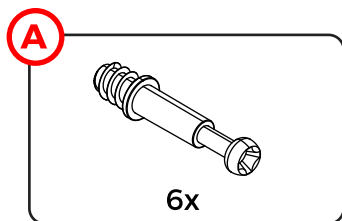
## Step 13



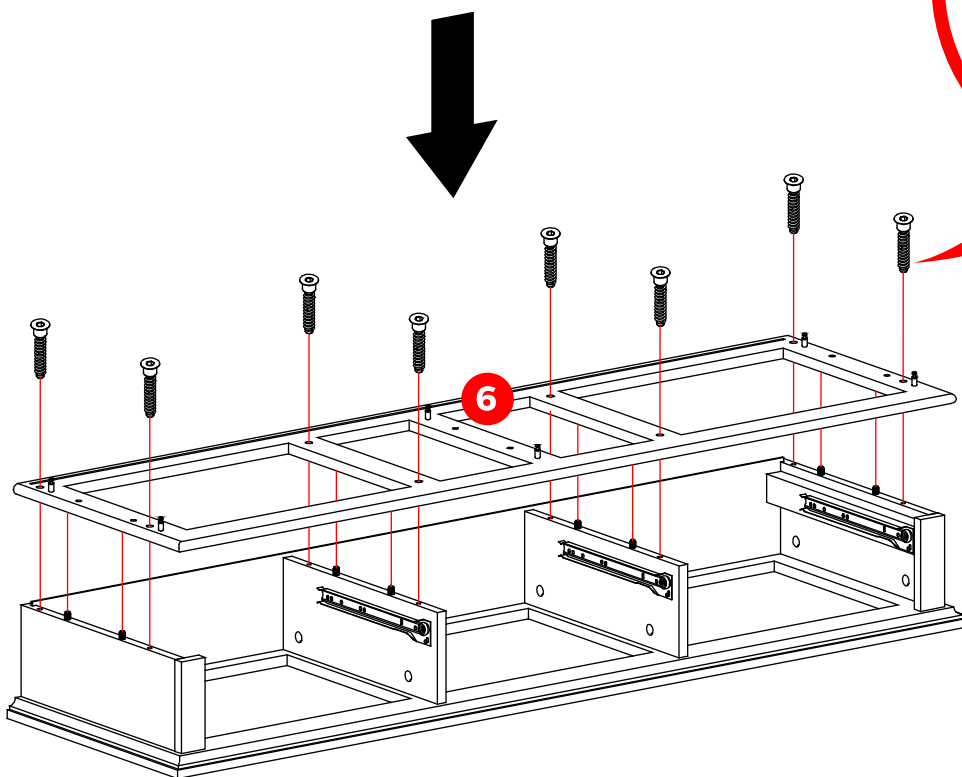
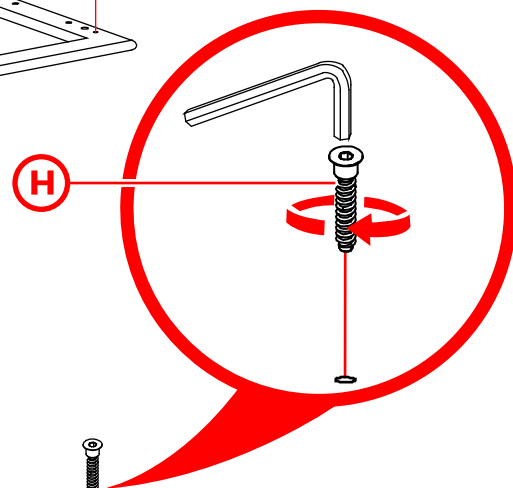
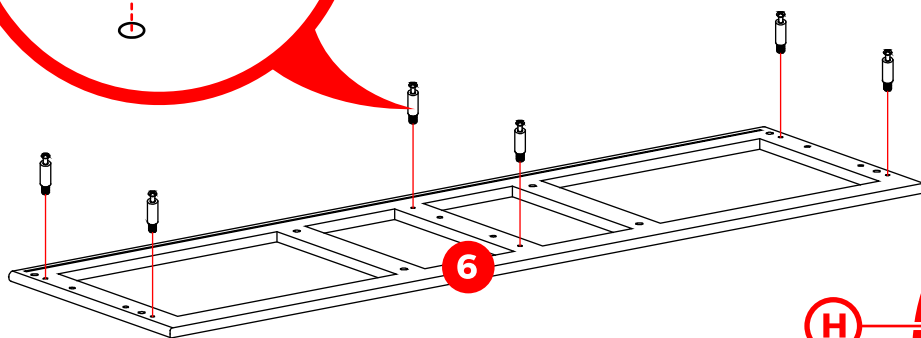
# Assembly Instructions

**CAUTION : Inappropriate installation of screws will cause damages to the product !**

## Step 14



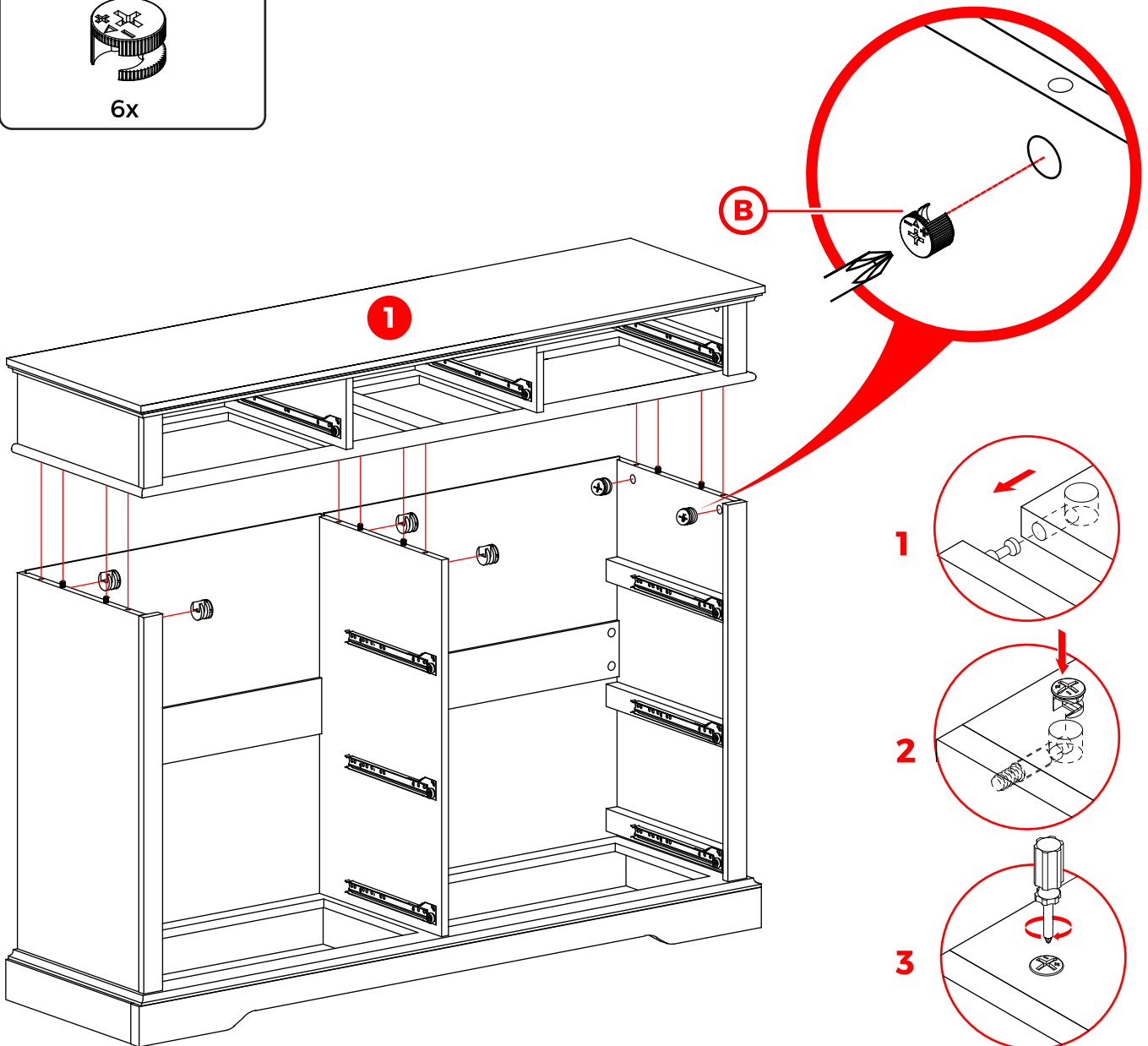
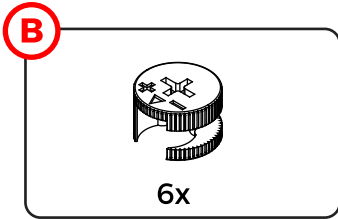
**NOTE:**  
Distinguish the installation direction according to the intermediate structure.



# Assembly Instructions

**CAUTION : Inappropriate installation of screws will cause damages to the product !**

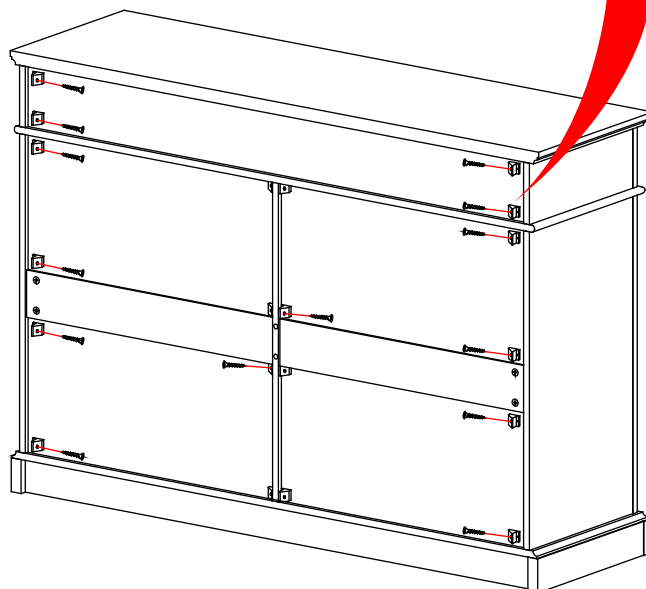
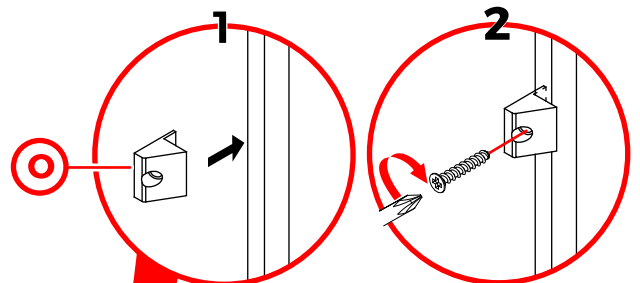
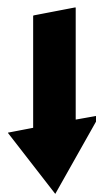
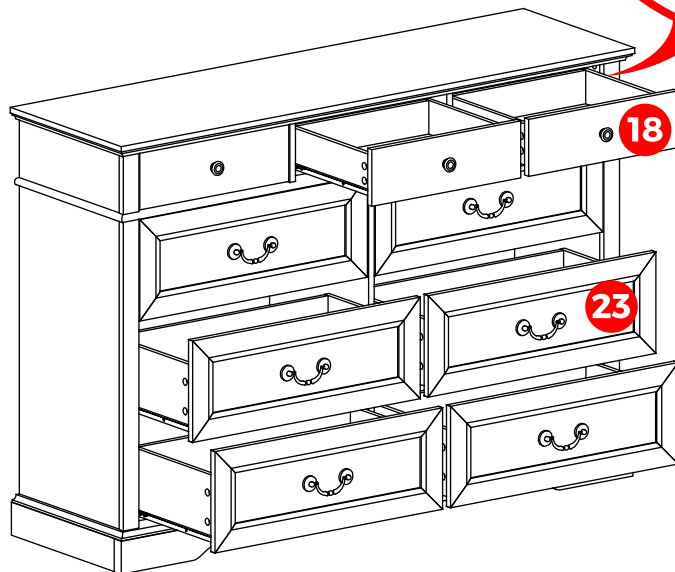
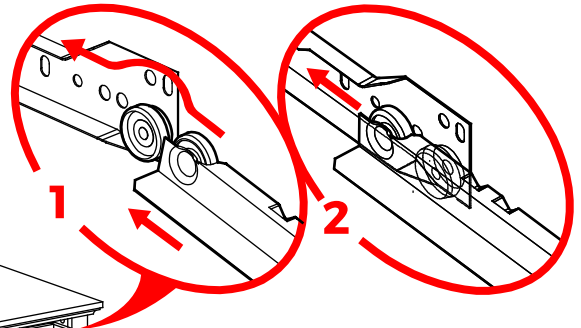
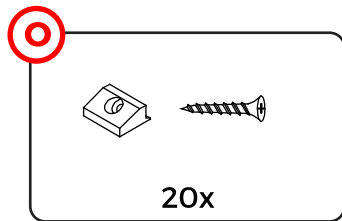
## Step 15



# Assembly Instructions

**CAUTION : Inappropriate installation of screws will cause damages to the product !**

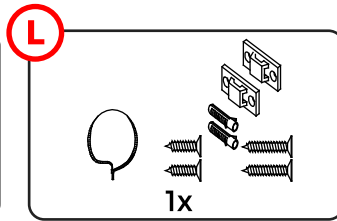
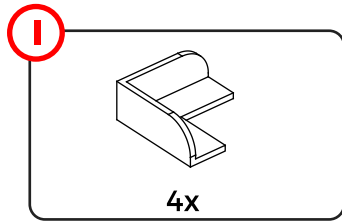
## Step 16



# Assembly Instructions

**CAUTION : Inappropriate installation of screws will cause damages to the product !**

## Step 17



**!** The edge corner protectors should be installed according to your needs.

