

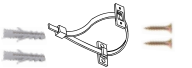


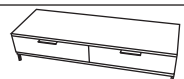

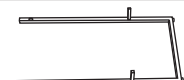
Assembly Instructions

Malone Console Table

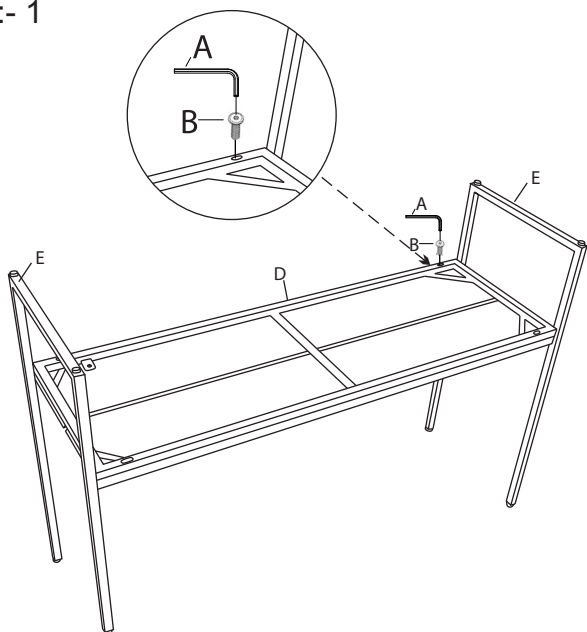
HARDWARE LIST:-

NO.	DESCRIPTION	IMAGE	QTY
A	ALLEN KEY (4mm)		1
B	ALLEN BOLT (6X13mm)		8
C	ANTI TIP KIT		1

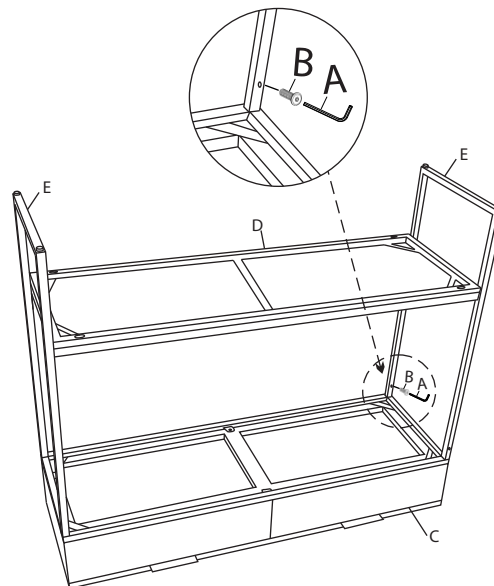
PART LIST:-

NO.	DESCRIPTION	IMAGE	QTY
C	TABLE TOP		1
D	SHELF		1
E	METAL LEGS		2

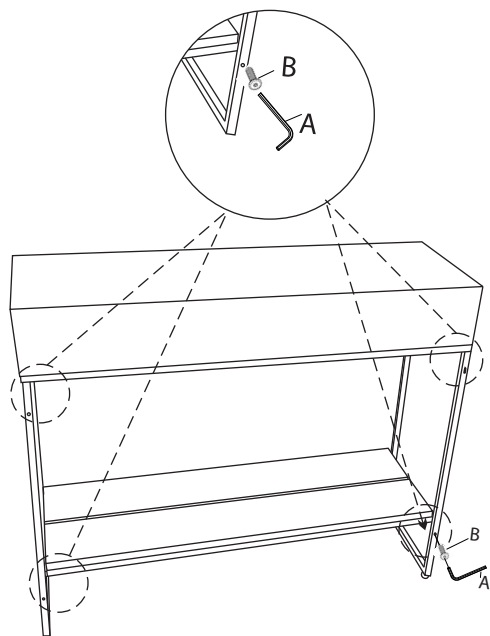
Step :- 1



Step :- 2 Do not fully tighten bolts.



Step :- 3



Step :- 4 Tighten bolts.



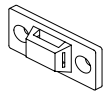

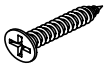

Ready For Use

ANTI-TIPPING RESTRAINT INSTRUCTIONS

MALONE CONSOLE TABLE

WARNING: Use of a tip-kit will only reduce, not eliminate, tip-over. Install tip over restraints in pre-marked location(s) on the back of the product. Install anti-tip kit directly into wall stud or use included wall anchor. Tug on the hardware to ensure that the furniture is attached securely to the wall.

HARDWARE LIST

LABEL	DESCRIPTION	PICTURE	QTY
A	CLIP		1
B	ZIP TIE		1
C	SCREW 1 1/2"		2
D	WALL ANCHOR		2

REQUIRED TOOLS: (Not Included)

- Phillips head screwdriver

