

## Sicherheit information

1. To reduce the risk of an electrical blow, electricity on the protective switch or the safety box went out before starting.
2. All wiring must correspond to the NASI/NFPA 70-1999 National Electric Code and local electrical regulations. The electrical installation must be carried out by a qualified and approved electrician.
3. The connection box and support construction must be assembled safely and 35 pounds (15.9 kilos) must be able to transport reliably. Use only output boxes listed with labeling

"Accepted for fans with a weight of £ 35 (15.9 kilos) or less."

4. The fan must be installed with a minimum distance of 2.1 m (7 feet) from the posterior edge of the wings to the floor.
5. Do not operate the reverse switch if the fan wings are moving. You have to turn off the fan and stop the wings before reverse the direction of the wing.
6. Do not place objects on the road to wings.
7. To avoid lesions or damage to the fan and other objects, be careful if you work on the fan or clean it.
8. Electrical diagrams only serve as a reference. The lighting rates that are not delivered with the fan must be listed and marked with the valve model that will be installed for use. The switches must be general use switches UL. Take into account the instructions for the appropriate installation included in the lighting rates and the switches.
9. After the electrical connections have been made, the size staircase must be turned up and carefully push to the plug box. The cables must be distributed in such a way that the ground connected driver and the device head are next to the socket.

All fixing screws must be verified before installation and, if necessary, followed.



**WARNING:** To reduce the risk of injury, knife supports (also known as flanges) cannot be folded during installation or after installation. Do not put any object on the path of wings.



**WARNING:** Remove rubber motor attacks at the bottom of the fan before mounting the wings or try the engine.



**WARNING:** To avoid the risk of a fire or an electrical blow, this fan should not be used with a semiconductor speed controller.



**WARNING:** To avoid a possible electric shock, turn off the current in the main security box before wiring. If you feel that you do not have enough knowledge or experience in electrical wiring, communicate with a license electrician.



**WARNING:** Electrical diagrams only serve as a reference. The optional use of an lighting rate must be on the list and marked with this fan for use.



**WARNING:** To reduce the risk of fires, electrical discharges or injuries, assemble the device in a socket that with the inscription accepted for fans with a weight of £ 35) or less. It is marked and use the screws supplied with the plug.

### TECHNICAL INFORMATION

Nominal voltage	Nominal output (motor)	light
120V AC	35W	1*3CCT integrated LED MAX.24W

**WARNING: SHUT POWER OFF AT FUSE OR CIRCUIT BREAKER**



Blade screws (1 PCS)



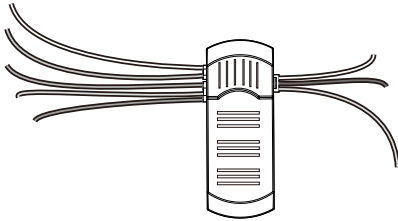
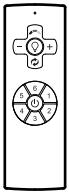
Mounting screws (2 PCS)



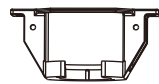
Wire nuts (9 PCS)



Washer (2 PCS)



REMOTE CONTROL (1 SET)



Mounting bracket



Canopy



Canopy cover

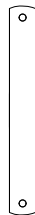


Coupling cover



6"Ball/downrod assembly (pre-assembly)

10" downrod

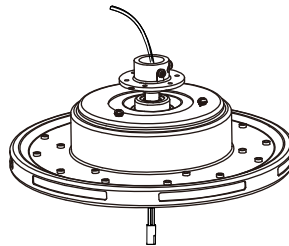


Hanging Pin

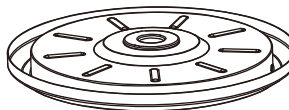
"R" Locking Pin



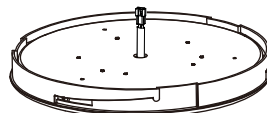
Blade (6 PCS)



Fan-motor assembly



Light kit plate

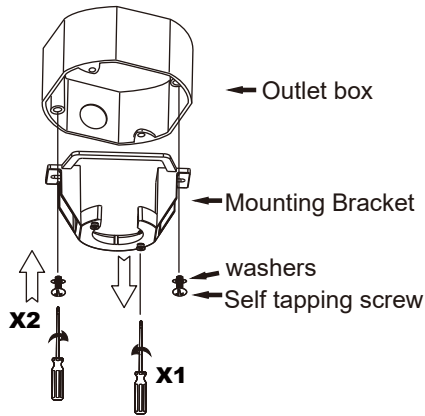


Light kit assembly

**Pls check whether above accessories are completed or not. Yes, and install.**

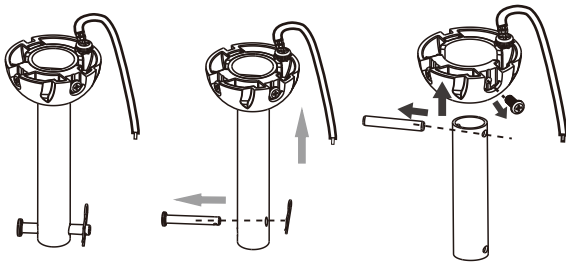
**WARNING: SHUT POWER OFF AT FUSE OR CIRCUIT BREAKER**

**1**



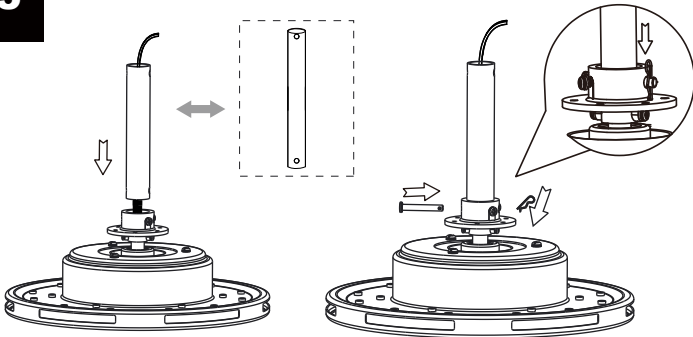
Securely attach the mounting bracket to the outlet box, using the self tapping screw and the washers.

**2**



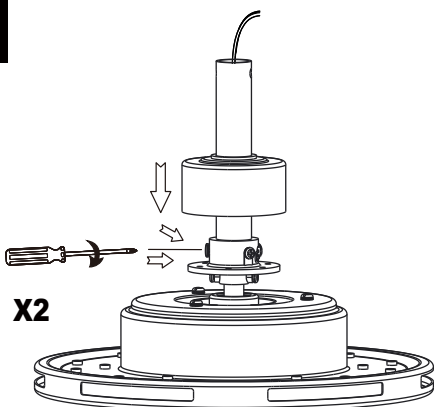
Remove "R"locking pin and hanging pin; remove the cross pin on the ball and the pre-assembled screw.

**3**



Loose the pre-assembled screws on the collar; Thread the motor wires through the downrod; slide hanging pin and "R"locking pin. Notice: If need 10" downrod, please install it in this step.

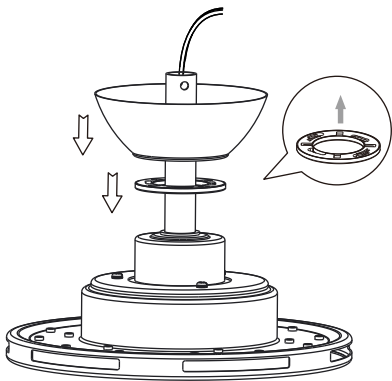
**4**



Tighten the collar screws and slide the coupling cover.

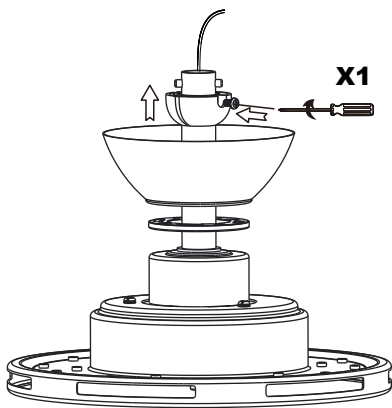
**WARNING: SHUT POWER OFF AT FUSE OR CIRCUIT BREAKER**

**5**



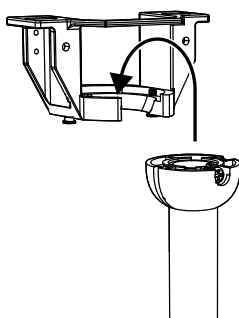
Slide canopy cover and canopy over the downrod.

**6**



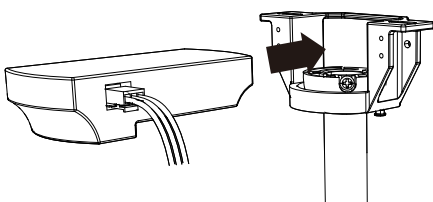
Tighten the screw on the ball.

**7**



Hang the fan onto the mounting bracket in the right position.

**8**

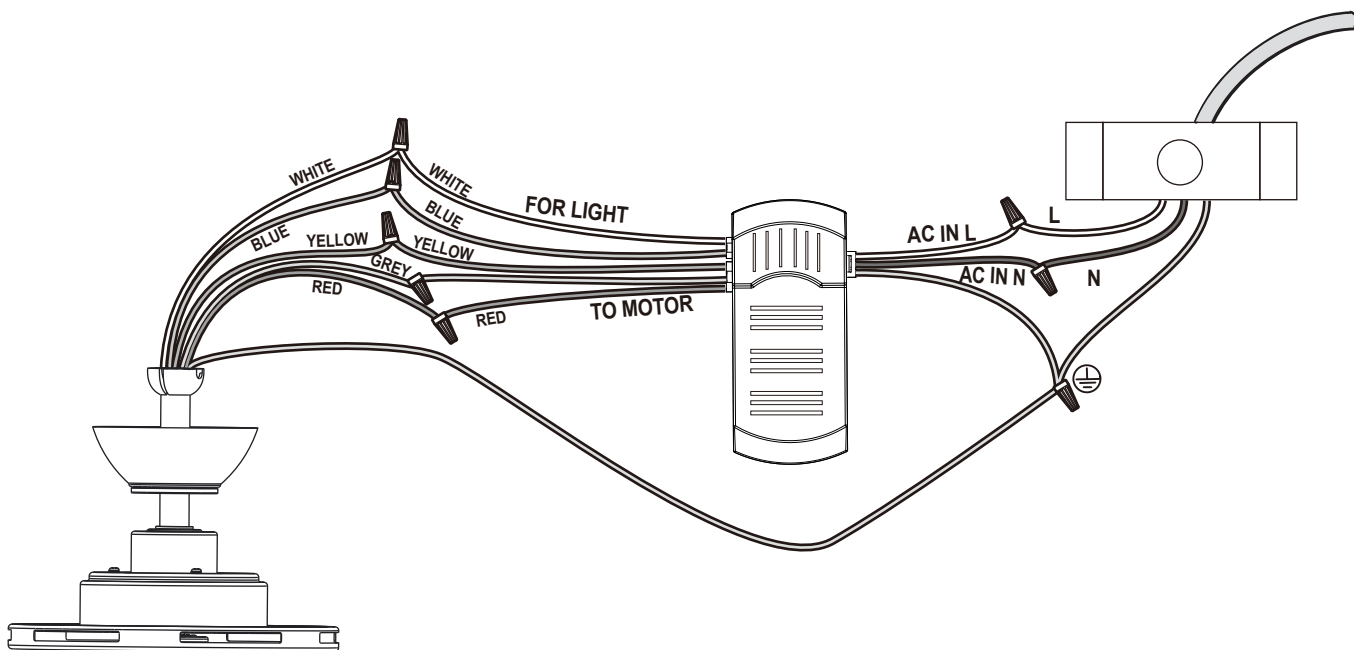


Insert receiver into hanger bracket with the flat side of the receiver facing the ceiling.

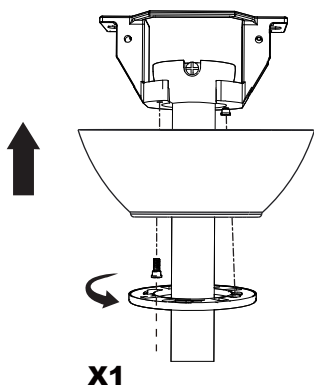
**WARNING: SHUT POWER OFF AT FUSE OR CIRCUIT BREAKER**

**9**

Connect the wires

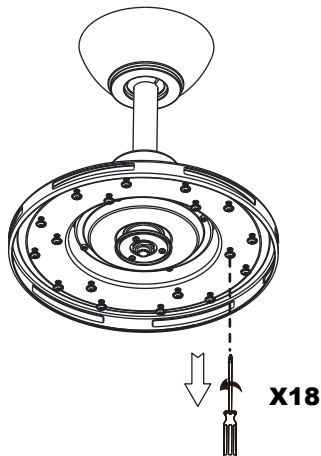


**10**



Remove 1 of the 2 screws from the bottom of the mounting bracket, and loosen the other one;  
Slide the canopy up towards the mounting bracket and place the key hole on the canopy over the screw on the mounting bracket, then turn canopy until it locks in place at the narrow section of the key holes, secure with those two mounting bracket screws;  
Push up the canopy cover until the screw heads engage to the slots on the canopy cover and rotate to securely attach to the canopy.

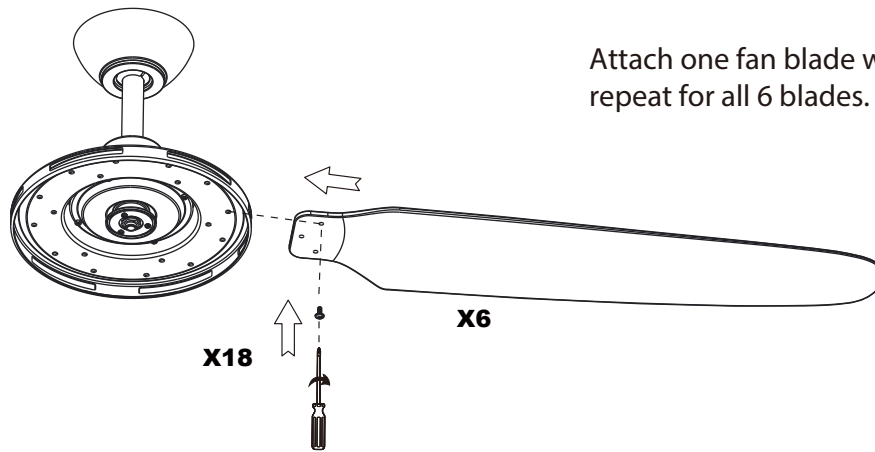
**11**



Remove 18 pcs pre-assembled blades screws.

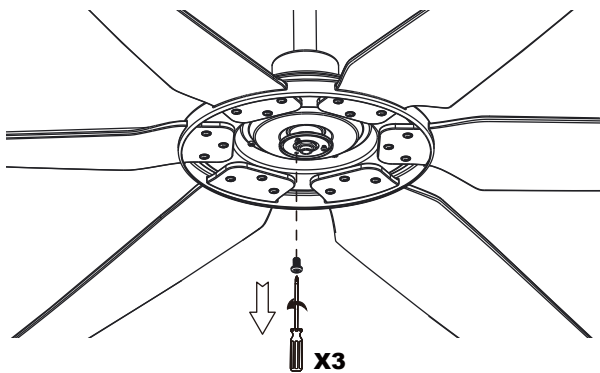
**WARNING: SHUT POWER OFF AT FUSE OR CIRCUIT BREAKER**

**12**



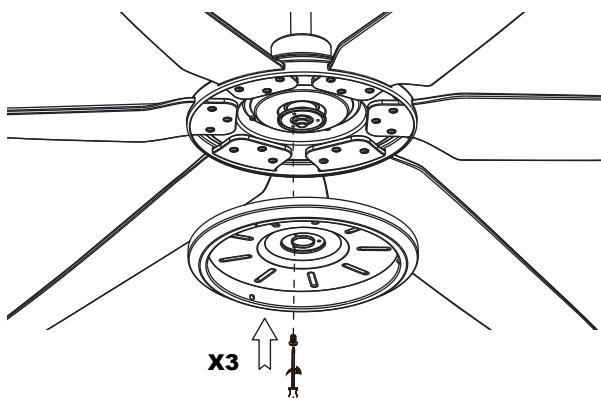
Attach one fan blade with 3 blade screws, and repeat for all 6 blades.

**13**



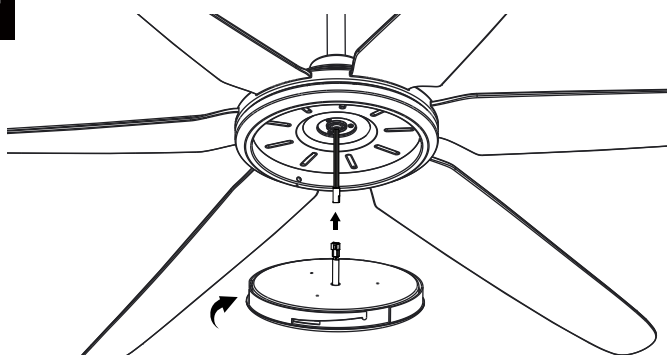
Remove 3 light kit plate screws.

**14**



Attach the light kit plate to the motor assembly, and tighten with 3 light kit plate screws.

**14**





Firmly snap the wire connection plugs between the motor assembly and the light kit assembly; Turn the light kit assembly in the correct position securely.

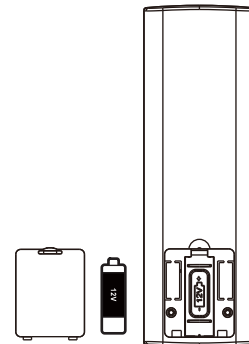
**WARNING: SHUT POWER OFF AT FUSE OR CIRCUIT BREAKER**

## INSTALLING THE BATTERY

Remove the back cover on the transmitter and install a 12V battery (not included) with the remote control.

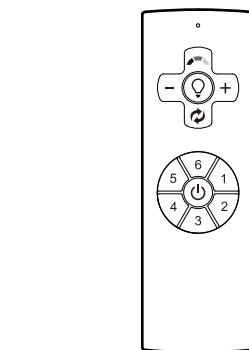
## LEARNING PROCESS

NOTE: After turning the AC power back on, do not press any other button on the remote control before pressing the  button. Doing so will cause the learning procedure to fail and the power to the fan will have to be turned off again to start over. Turn main power to fan back on and within 30 seconds press and hold the  button on the remote for 5 seconds to sync the transmitter to the fan. Once the fan has detected the remote, the light on the fan will blink twice to indicate your fan is now ready to use. Fans without light-kits have no indicator but will be ready to use after holding the button for the 5 seconds.



## INSTALLING THE TRANSMITTER HOLDER

Attach the remote control holder with the two remote control holder mounting screws.



## OPERATING YOUR TRANSMITTER

Restore power to ceiling fan and test for proper operation.

### A. 1,2,3,4,5,6 buttons:

These six buttons are used to set the fan speed as follows:

- 1 = low speed      2 = medium low speed      3 = medium speed  
4 = medium high speed      5 = high speed      6 = Extra high speed

### B. button:


This button turns the fan off. Hitting any speed button turns fan on.

### C. button:

This button controls the light. Press and release the button to turn the light ON or OFF. Press and hold the button to set the desired brightness. The light key has an auto-resume, it will stay at the same brightness as the last time it was turned off.

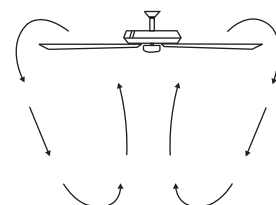
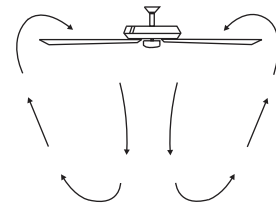
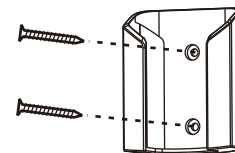
### D. Press and release button to select the desired color temperature.

### E. Press to increase the desired light level.

Press  to decrease the desired light level.

### F. button:

Fan reverse button



NOTE: To operate the reverse function on this fan, press the reverse button while the fan is running at any speed.

Speed settings for warm or cool weather depend on factors such as the room size, Ceiling height, number of fans and so on.

Warm weather - (Forward) A downward airflow creates a cooling effect. This allows you to set your air conditioner on a warmer setting without affecting your comfort.

Cool weather - (Reverse) An upward airflow moves warm air off the ceiling area. This allows you to set your heating unit on a cooler setting without affecting your comfort.

However, there is no guarantee that interference will not occur in a particular installation. If the equipment does cause harmful interference to radio or television reception, which can be determined by turning the equipment off and on, the user is encouraged to try to correct the interference by one or more of the following measures:

- Reorient or relocate the receiving antenna.
- Increase the separation between the equipment and receiver.
- Connect the equipment into an outlet on a circuit different from that to which the receiver is connected.
- Consult the dealer or an experienced radio/ TV technician for help.

## WARNING:

Do NOT install this fan with variable speed wall control or wall-mounted dimmer switch. It will permanently damage the fan's remote control and cause the fan's function to fail.



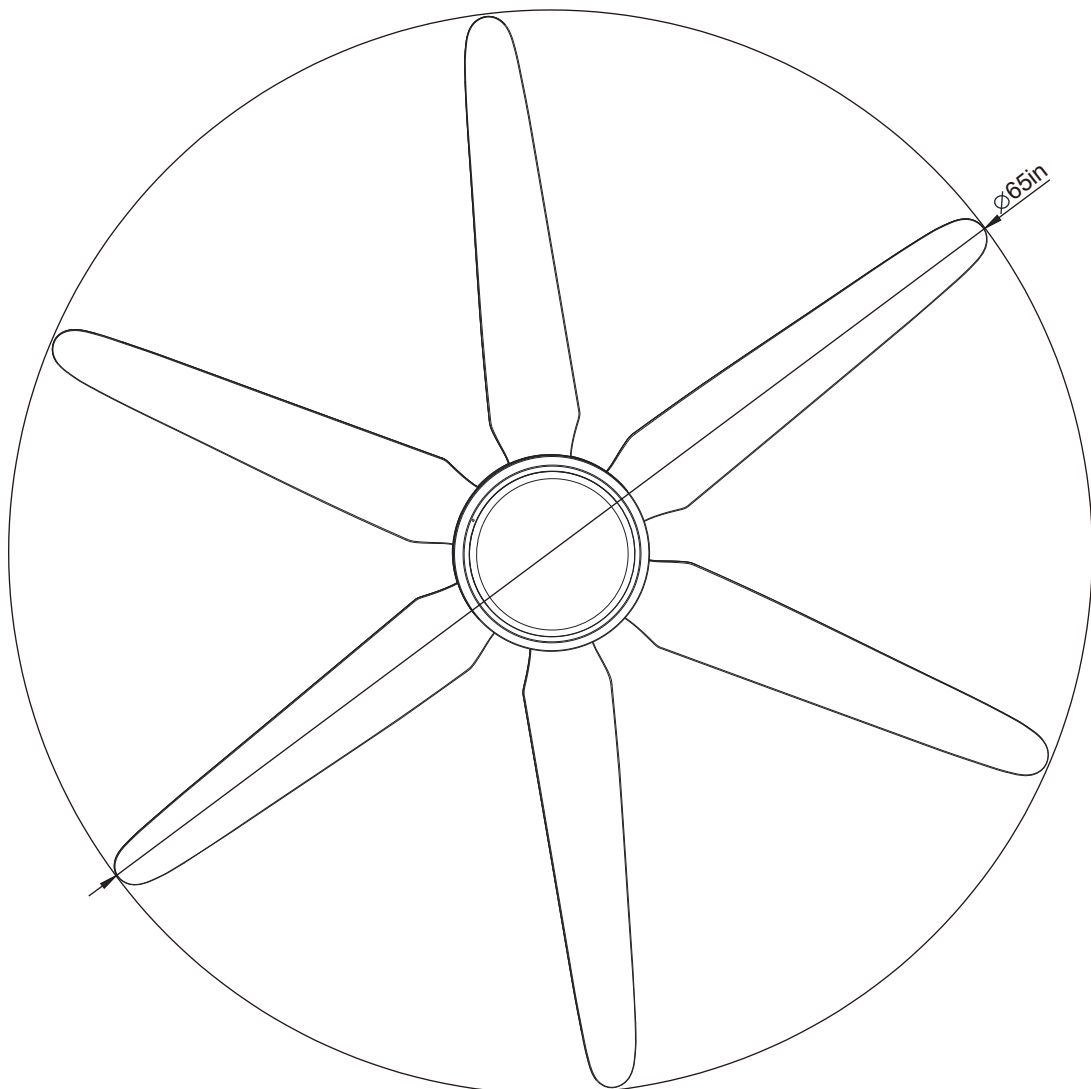
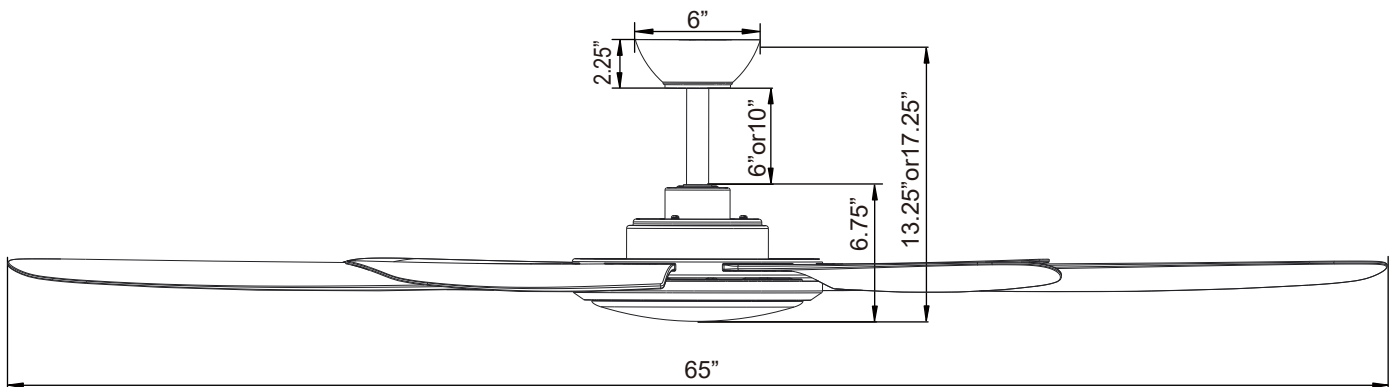
NO Variable speed wall control



NO Dimmer switch

**WARNING: SHUT POWER OFF AT FUSE OR CIRCUIT BREAKER**

## size of product



**WARNING: SHUT POWER OFF AT FUSE OR CIRCUIT BREAKER**

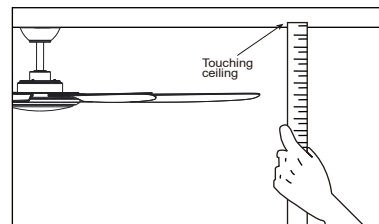
## **AFTER INSTALLATION**

The fan blades have been adjusted in the factory to minimize any wobble

**NOTE: CEILING FANS TEND TO MOVE DURING OPERATION DUE TO THE FACT THAT THEY ARE MOUNTED ON A RUBBER CROMMET. IF THE FAN WAS MOUNTED RIGIDLY TO THE CEILING, IT WOULD CAUSE EXCESS VIBRATION. MOVEMENT OF A FEW CENTIMETERS IS QUITE ACCEPTABLE AND DOES NOT SUGGEST ANY PROBLEM**

**TO REDUCE THE FAN WOBBLE: PLEASE CHECK THAT ALL SCREWS WHICH SECURED THE MOUNTING BRACKET AND DOWNROD ARE SECURE.  
BALANCING A WOBBLING CEILING FAN:**

1. Check that all blade and blade arm screws are secure.
2. Most fan wobbling problems are caused when blade levels are unequal. Check this level by selecting a point on the ceiling above the tip of one of the blades. Measure this distance. Rotate the fan until the next blade is positioned for measurement. Repeat for each blade. The distance deviation should be equal within 1/8" (0.32cm).



3. If the blade wobble is still noticeable, interchanging two adjacent (side by side) blades can redistribute the weight

and possibly result in smoother operation. **WARNING: TO REDUCE THE RISK OF PERSONAL INJURY, DO NOT BEND THE BLADE ARM WHILE INSTALLING, BALANCING THE BLADES, OR CLEANING THE FAN. DO NOT INSERT FOREIGN OBJECTS BETWEEN ROTATING FAN BLADES.**

### **NOISE**

When it is quiet (especially at night) you may hear occasional small noises. This is normal. Please allow a 24-hour "breaking-in" period, most noises associated with a new fan disappear during the time.

### **CARE AND CLEANING**

1. Periodic cleaning of your ceiling fan is the only maintenance required. Use a soft brush or lint free cloth to avoid scratching the paint finish. Please make sure to turn off electricity power before you clean your fan
2. Do not use water when cleaning your ceiling fan. It could damage the motor or the blades and create the possibility of an electrical shock.
3. Motor has permanently lubricated ball bearing. No need to oil

**NOTE: MAKE SURE THE POWER IS OFF AT THE ELECTRICAL PANEL BOX BEFORE YOU ATTEMPT ANY CLEANING OR REPAIRS.**