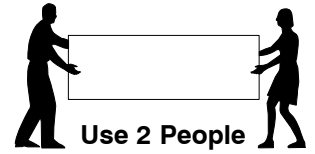
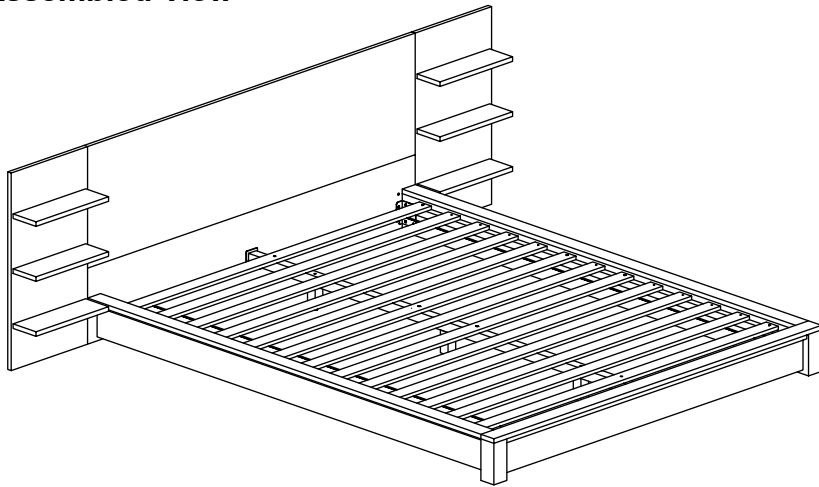


Queen Bed

Assembly Instructions

W11-0820

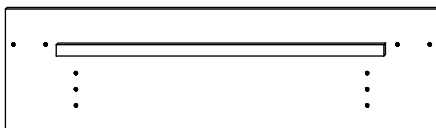
1 Assembled View



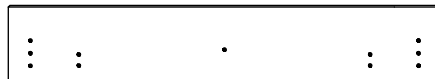
Note: Do not assemble using power tools. This can cause the bolts to be overtightened

2 Parts List

Parts in Box A:



A Headboard Panel (Upper) x 1

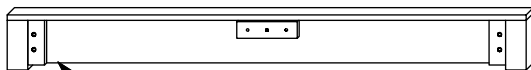


B Headboard Panel (Lower) x 1

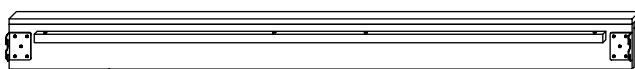


C Support Bar x 2

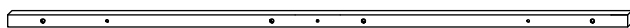
Parts in Box B:



D Footboard Panel x 1



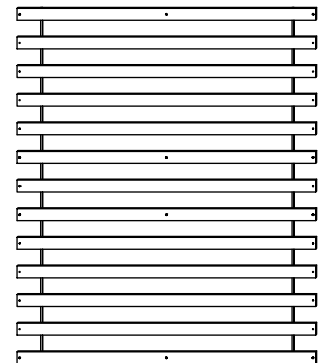
E Side Rail x 2



F Center Rail x 1



G Support Leg x 3

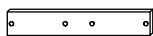


H Set of Bed Slats x 1

Parts in Box C:



J Shelf Panel x 6



K Support Rail x 4



L Side Panel (Left Hand) x 1



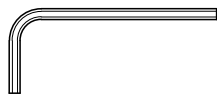
M Side Panel (Right Hand) x 1

Queen Bed

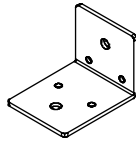
Assembly Instructions

W11-0820

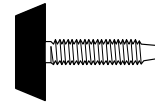
3 Hardware List



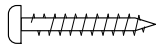
1 M4 Allen Key
x 1



2 Center Rail
Bracket x 2



3 Adjustable
Foot x 3



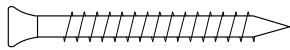
4 Wood Screw
(M4 x 32mm) x 18



5 Spring Washer
x 34



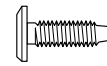
6 Flat Washer
x 34



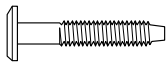
7 CSK Cap Wood Screw
(M6 x 50mm) x 12



8 M6 x 15mm JCB
x 4



9 M6 x 20mm JCB
x 8

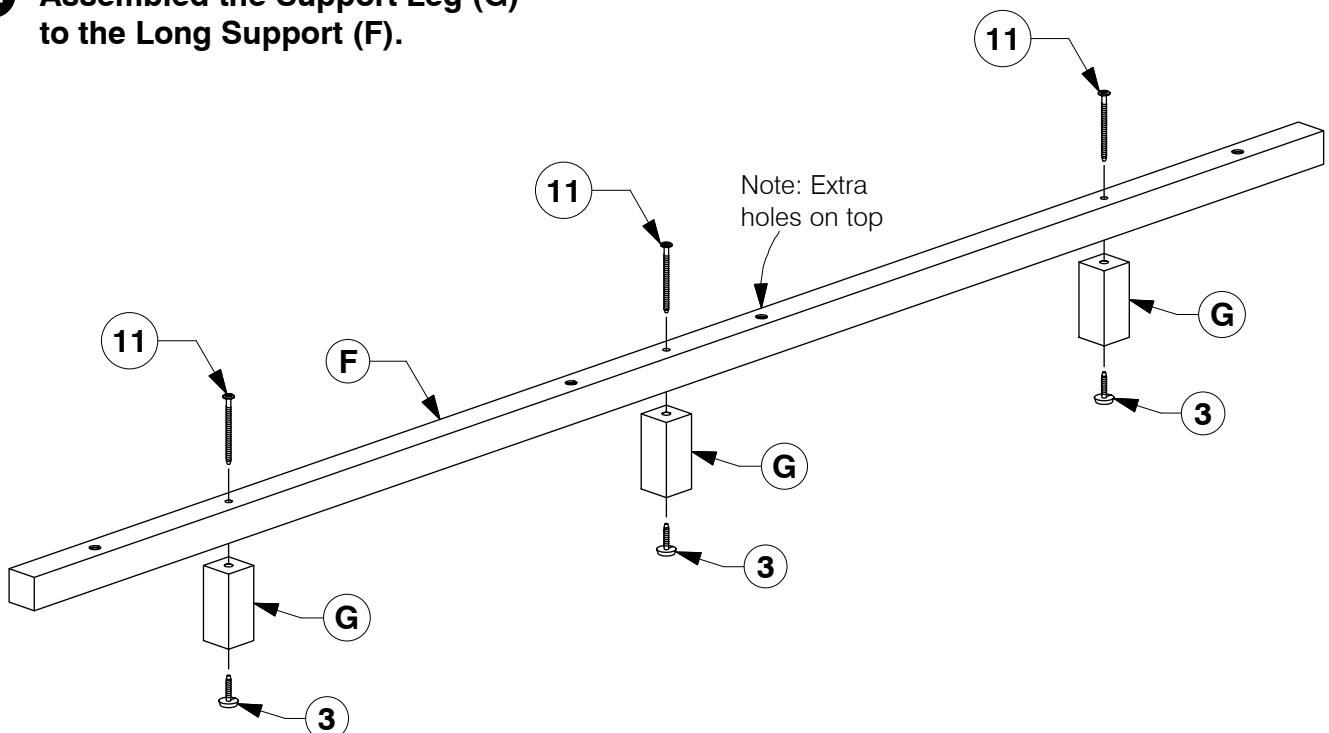


10 M6 x 35mm JCB
x 38



11 M6 x 90mm JCB
x 3

4 Assembled the Support Leg (G) to the Long Support (F).

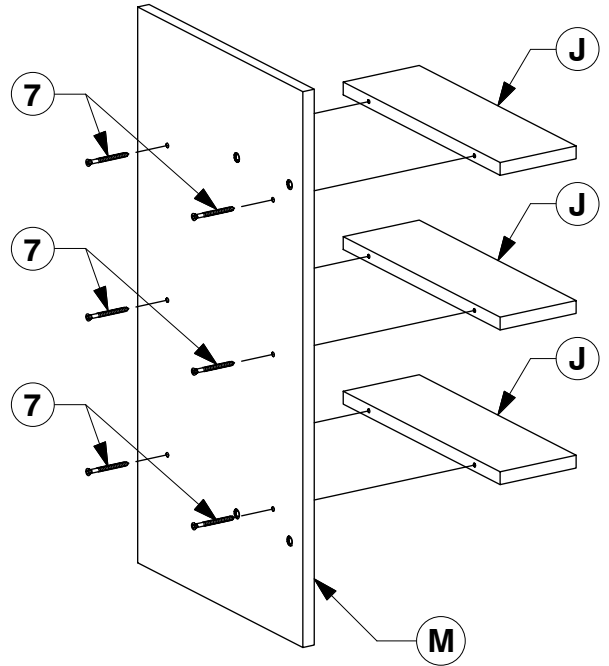
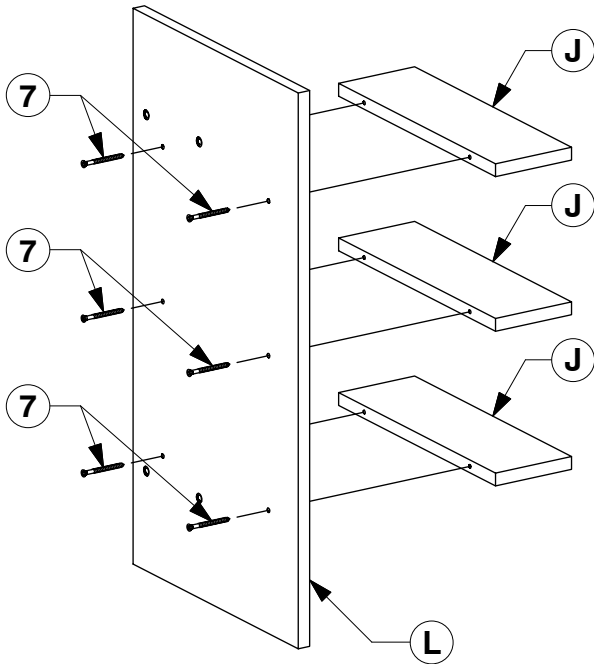


Queen Bed

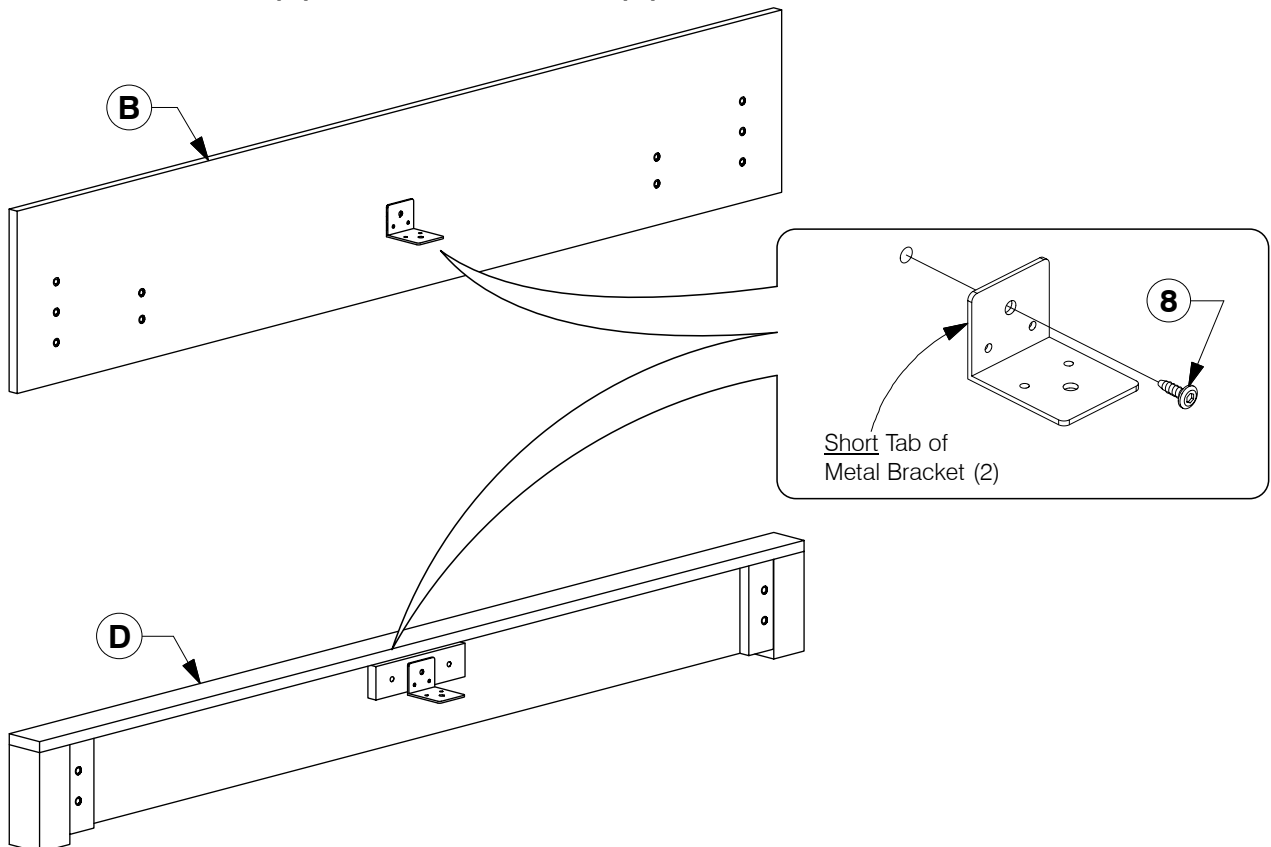
Assembly Instructions

W11-0820

5 Fit the Shelf Panel (J) to the Side Panel (L/M).



6 Fit the Center Rail Bracket to the Headboard Panel (B) & Footboard Panel (D).

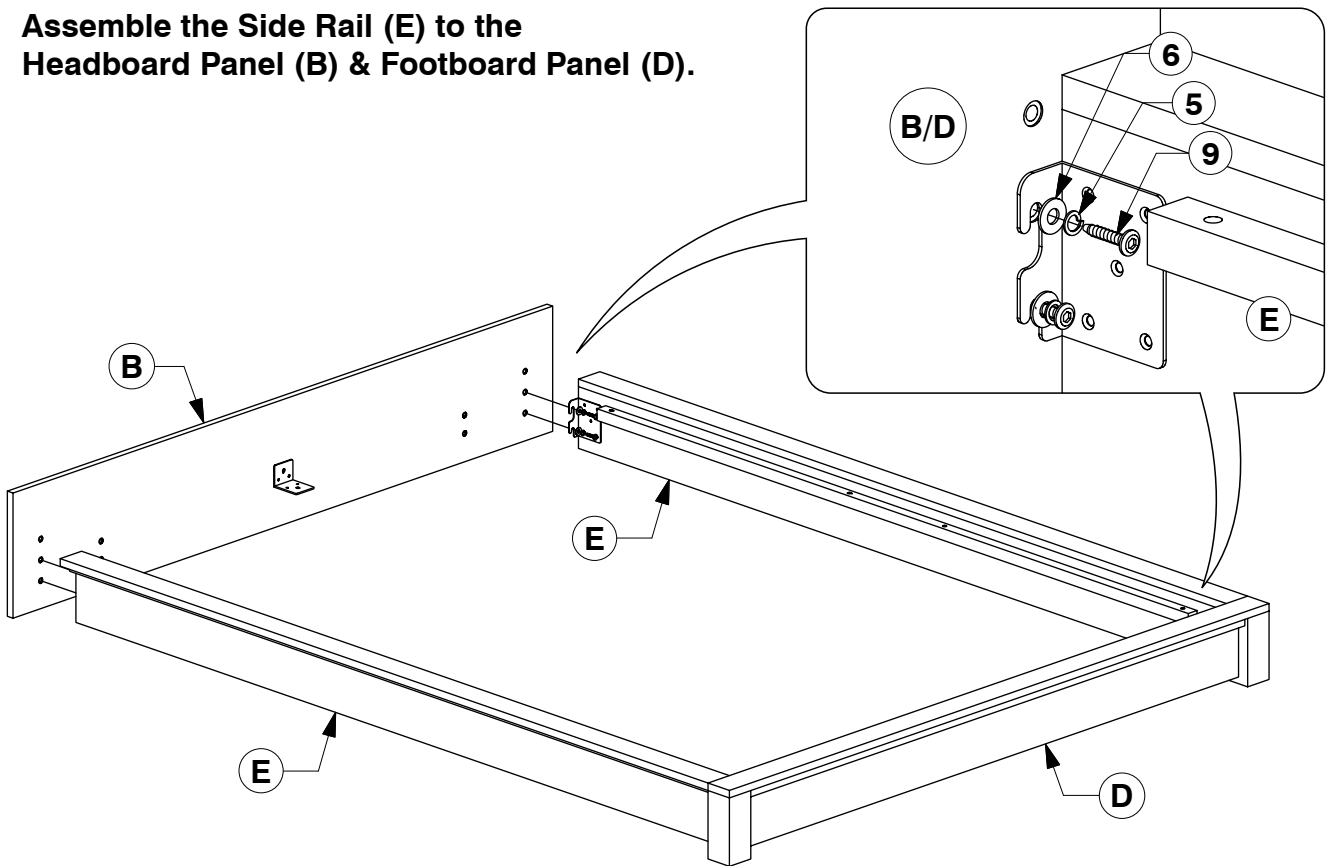


Queen Bed

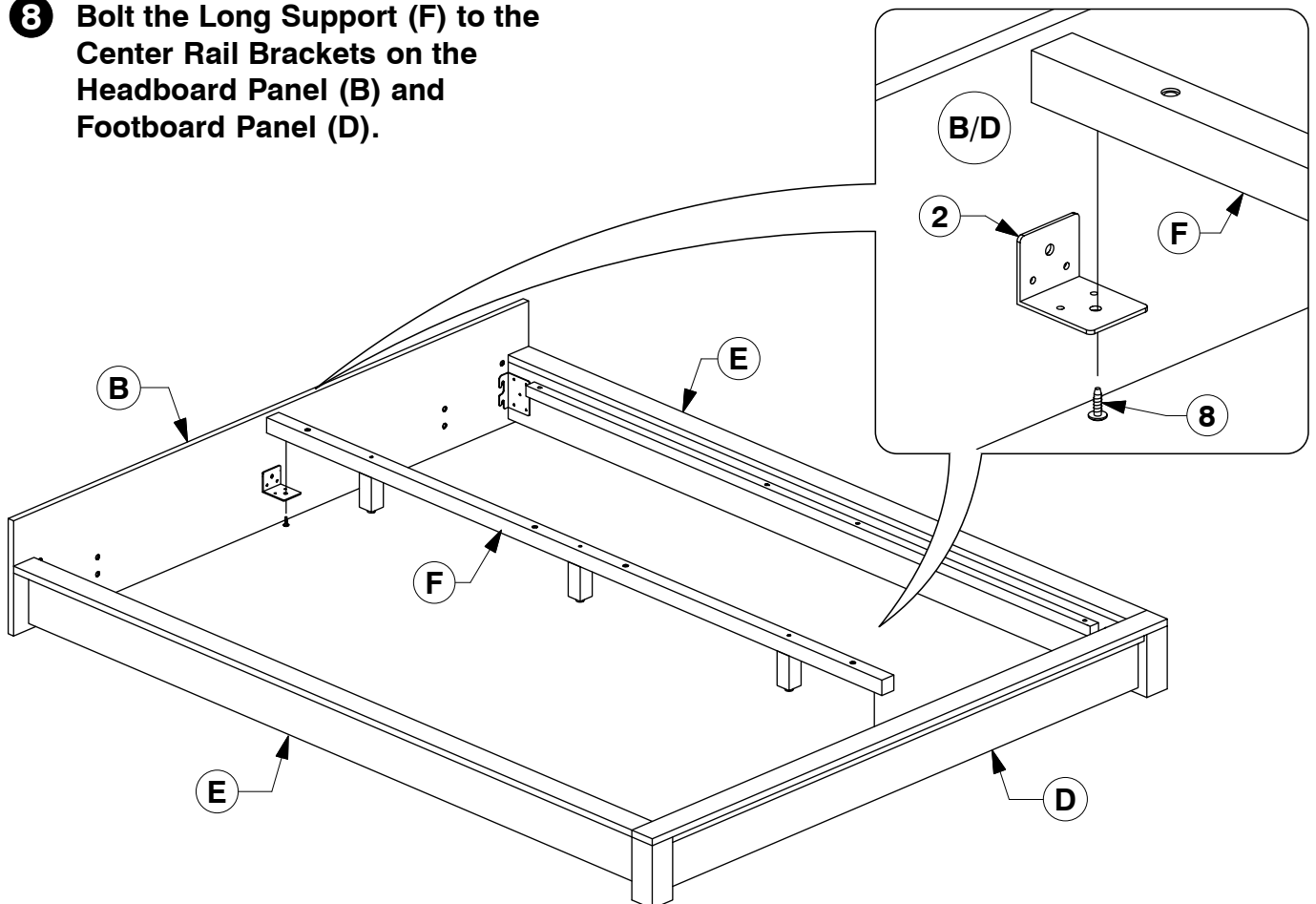
Assembly Instructions

W11-0820

- 7** Assemble the Side Rail (E) to the Headboard Panel (B) & Footboard Panel (D).



- 8** Bolt the Long Support (F) to the Center Rail Brackets on the Headboard Panel (B) and Footboard Panel (D).

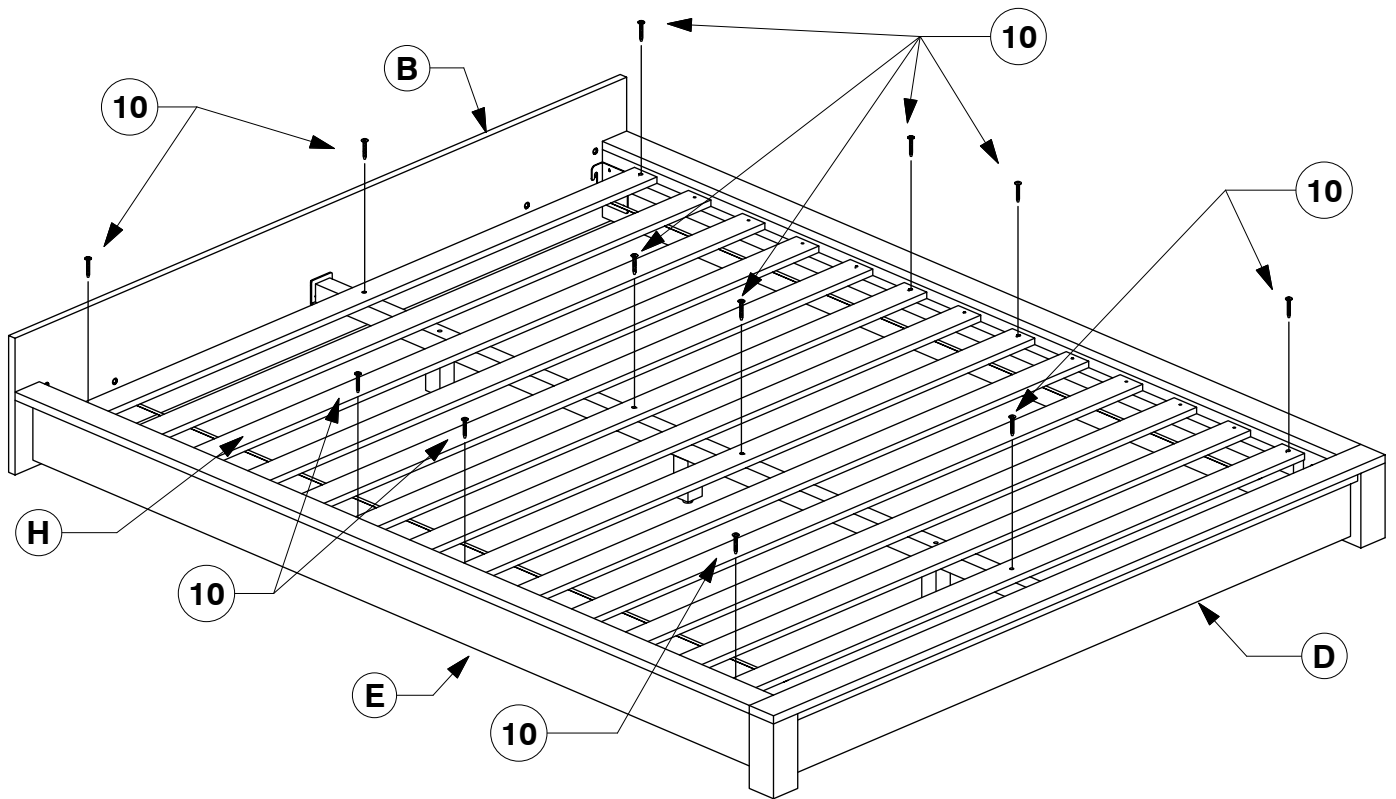


Queen Bed

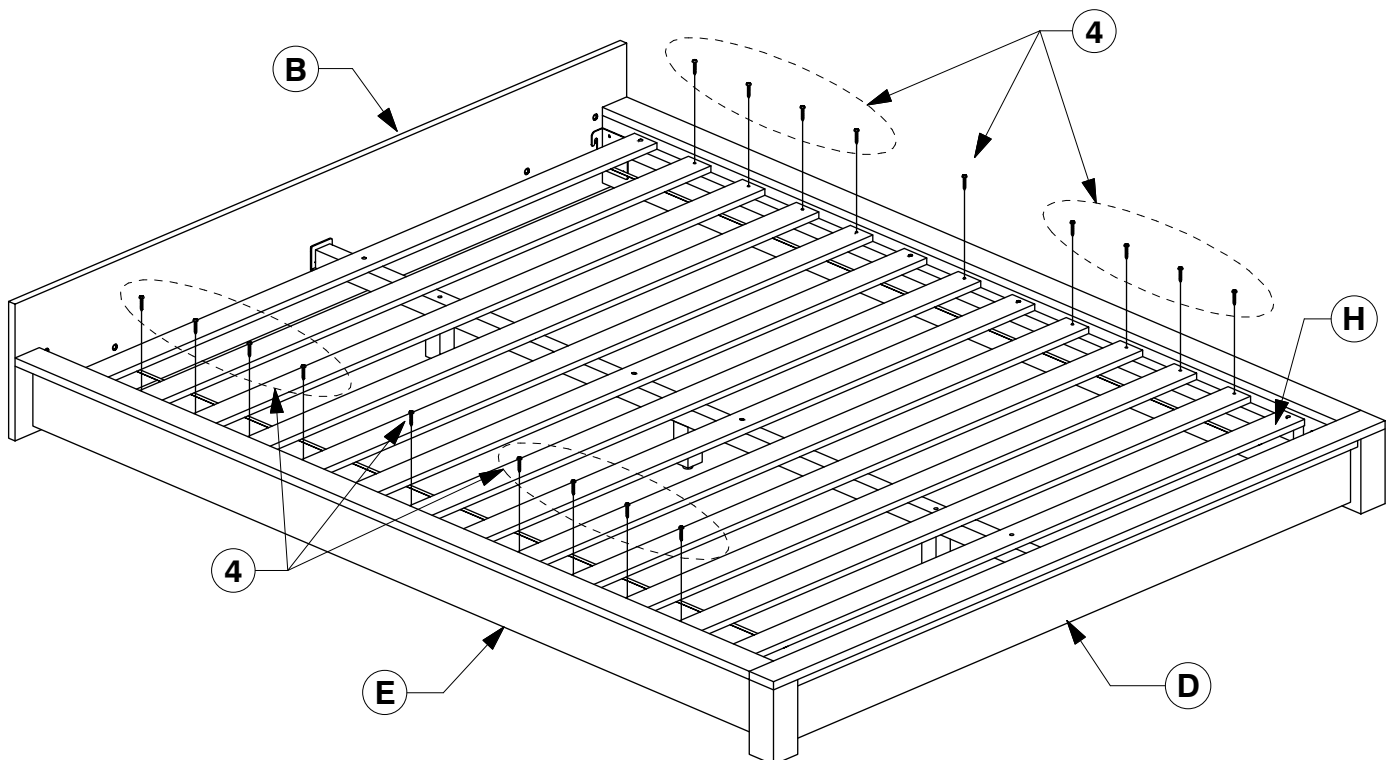
Assembly Instructions

W11-0820

- 9 Bolt the Bed Slats (H) to the Side Rail (E).**



- 10 Screw the Bed Slats (H) to the Side Rail (E).**

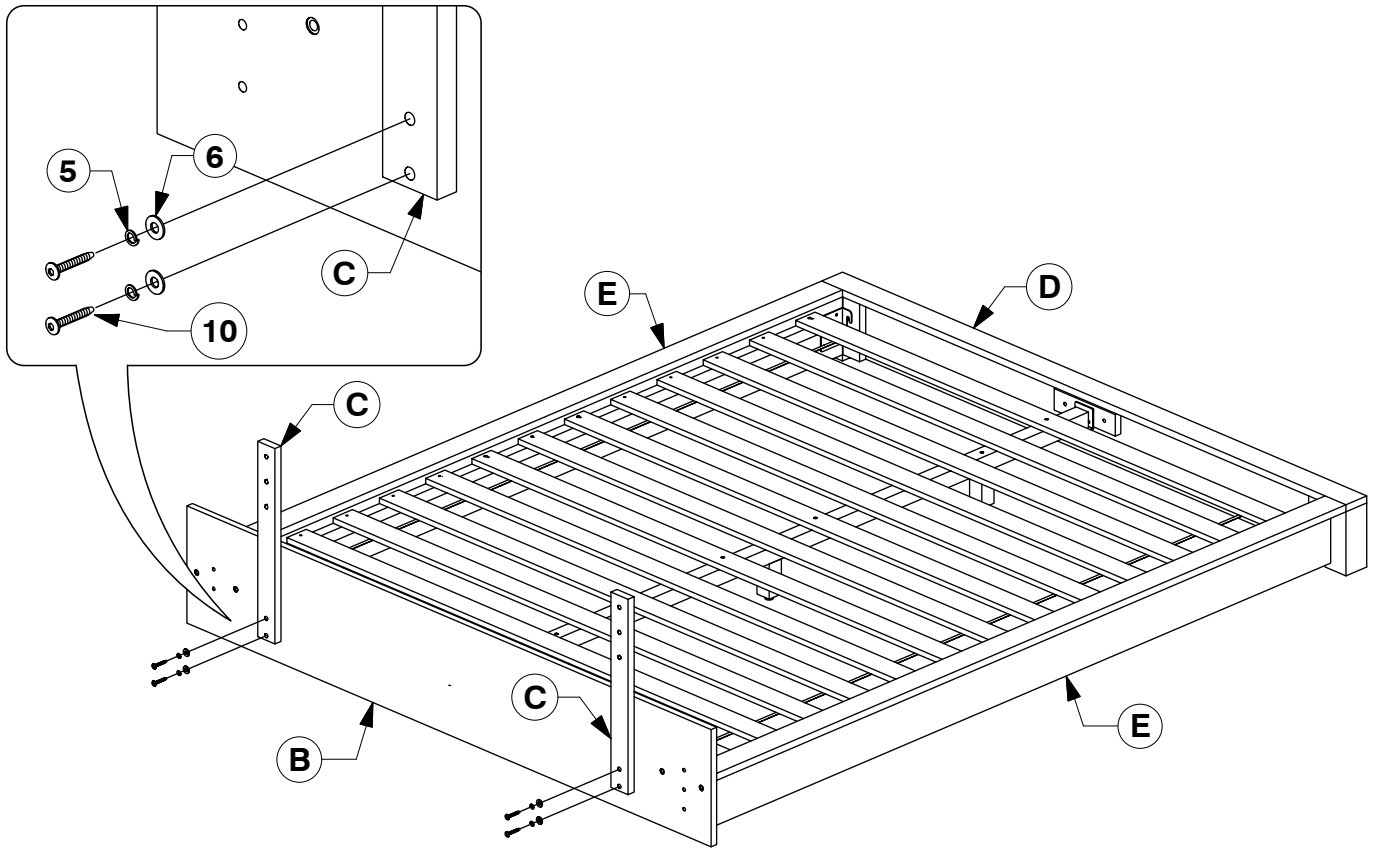


Queen Bed

Assembly Instructions

W11-0820

11 Assemble the Support Bars (C) to the Headboard Panel- Lower (B).



12 Assemble the Headboard Panel- Upper (A) to the Support Bars (C).

