

ASSEMBLY INSTRUCTION



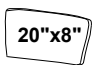
Swivel Glider Reclining Chair



NOTE: Do not use power tools for assembly. Power tools increase the risk of over tightening which lead to splitting or cracking the wood.

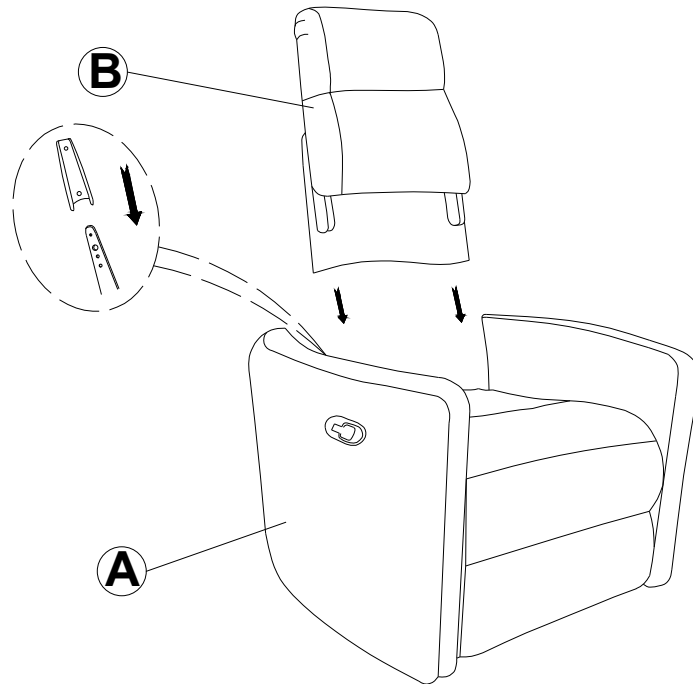


PART LIST

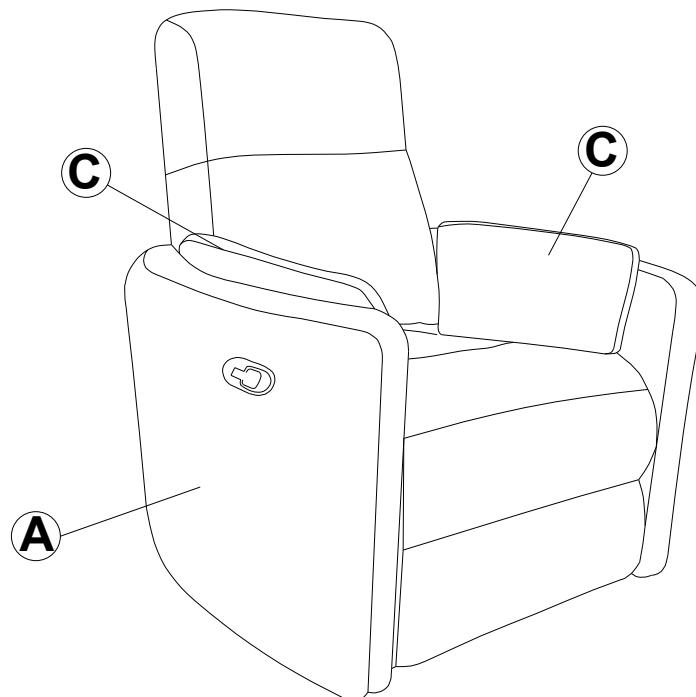
No.	Description	Diagram	Quantity
A	Seat		1
B	Backrest		1
C	Pillow		2

ASSEMBLY INSTRUCTION

Step 1 Important:
1.Attach Backrest (B) to the Chair (A).

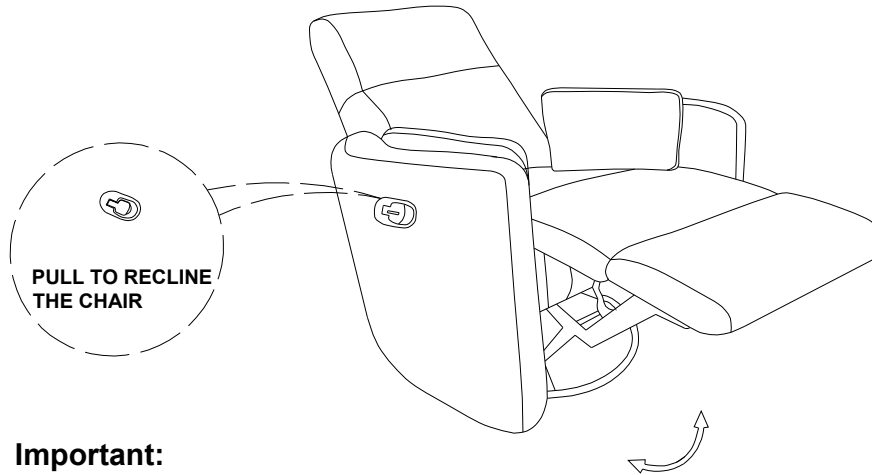


Step 2 Important:
1.Attach Pillow (C) to the Chair (A).



ASSEMBLY INSTRUCTION

- Step 3 Important:**
1. Open the Footrest by pulling out the Switch



- Step 4 Important:**
1. Complete assembly.



Care Instruction for textured fabric Furniture:

In order to maintain the original appearance of your textured fabric furniture, please follow below simple care proceures:

- Avoid exposing furniture directly to sunlight or heating and air conditioning outlets. Sunlight and or exposure to heating and air conditioning outlets will fade/damage textured fabric.
- Vacuum or wipe with a soft cloth to remove dust.
- Hardware may loosen over time. Periodically check to make sure all connection are tight, Re-tighten if necessary.

For item use on wooden floor, hard surfaces or carpets, it is recommended to install protective pads under all legs and supports to avoid/prevent from damages/scratches and discoloration.