

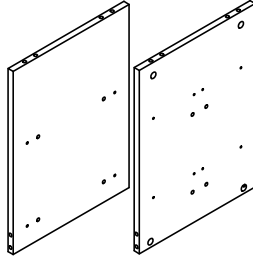
Ax1



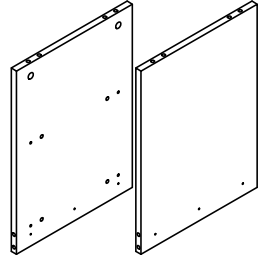
Bx2



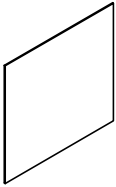
Cx1



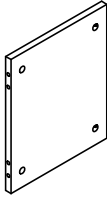
Dx2



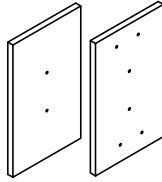
Ex2



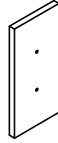
Fx2



Gx4



Hx2



Ix2



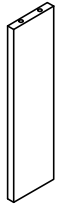
Jx2



Kx4



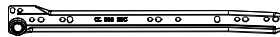
Lx2



Mx2



300  
11.8  
CRx2



300  
11.8  
CLx2



300  
11.8  
DRx2



300  
11.8  
DLx2



Nx38



Ox46



Px6

M3.5x $\frac{25}{1.0}$



Qx16

M3.5x $\frac{12}{0.5}$



Rx72



Sx46



Tx8

M6x $\frac{12}{0.5}$



Ux4



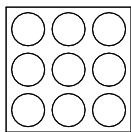
Vx2



Wx2



Xx2



Yx7

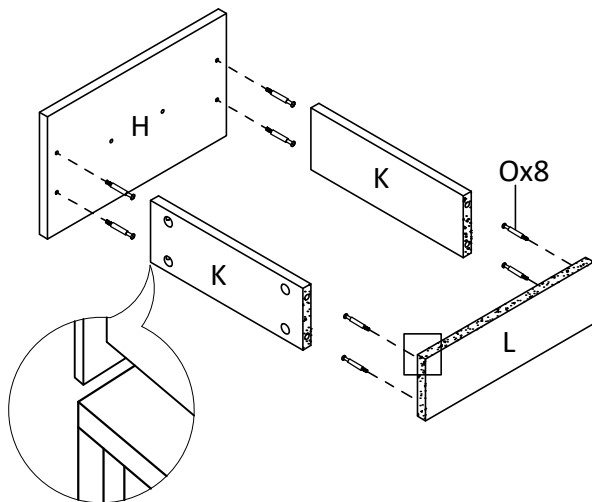


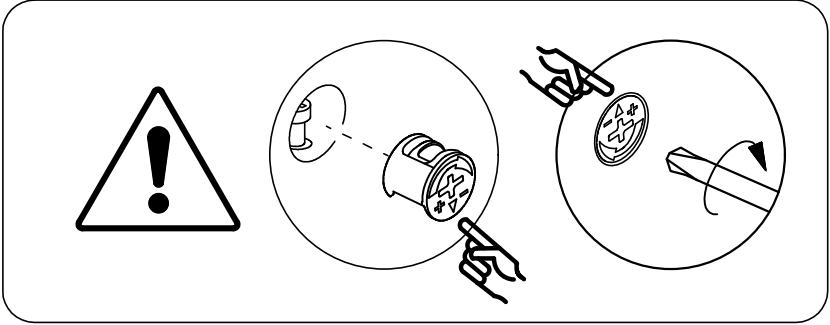
mm  
inch

x2

① x2

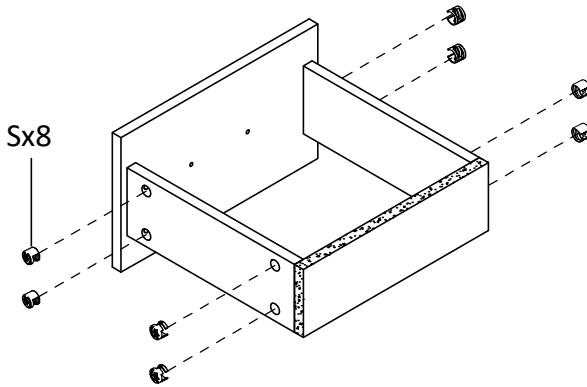
Ox16

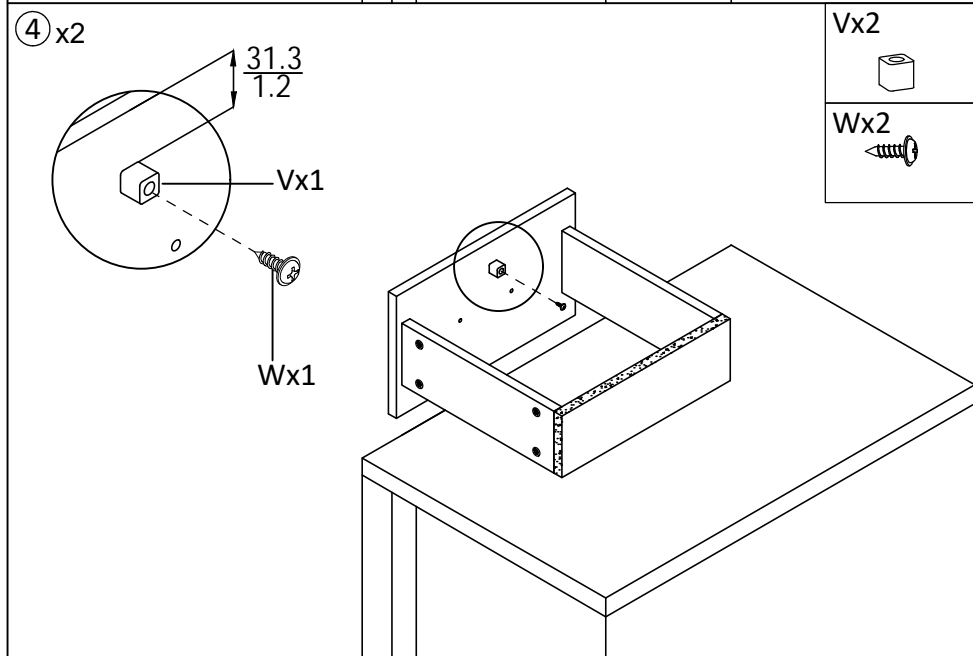
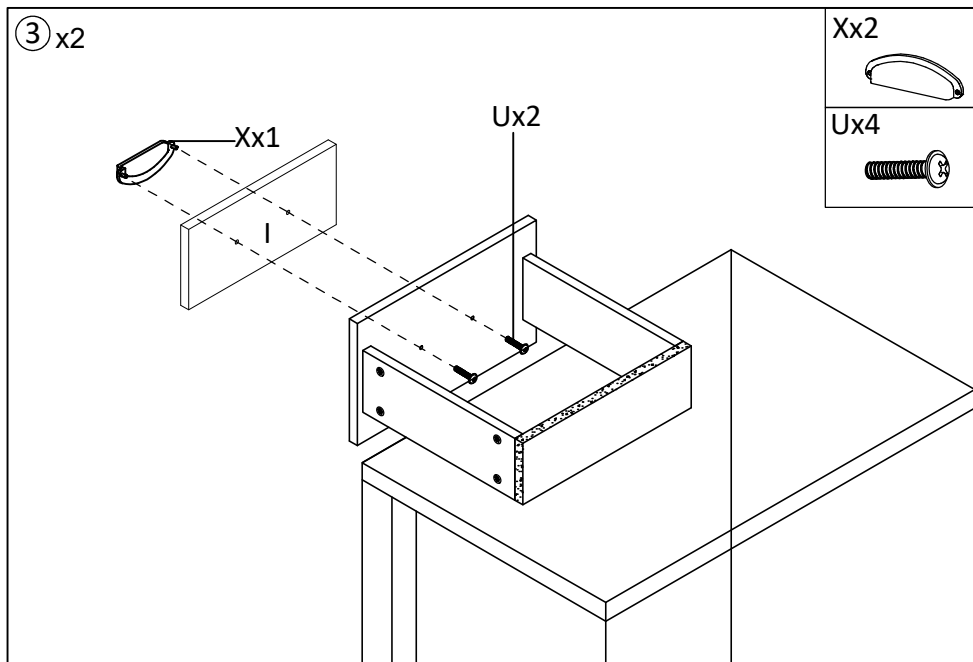


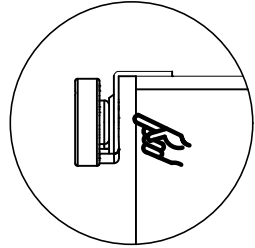
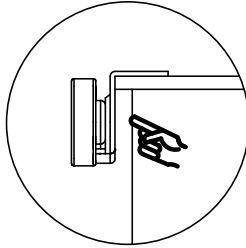
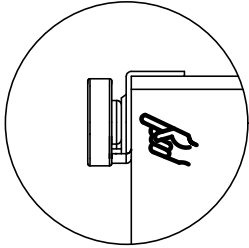


② x2

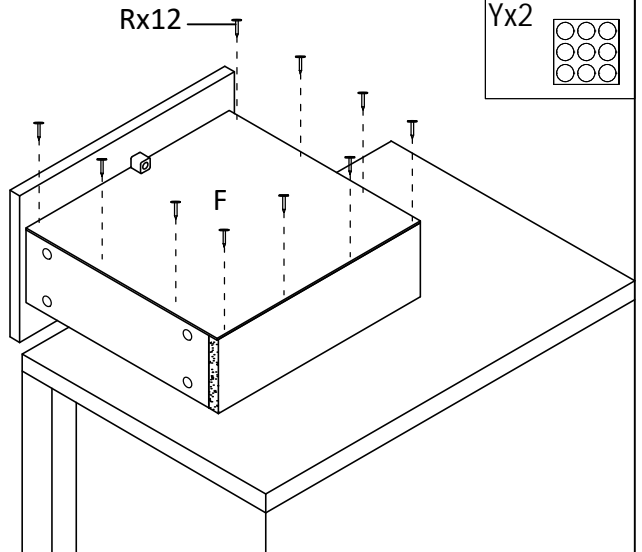
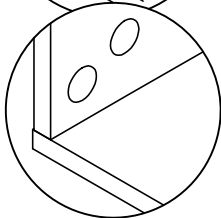
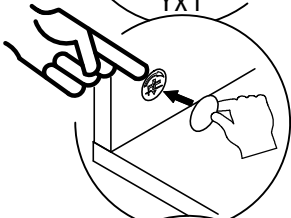
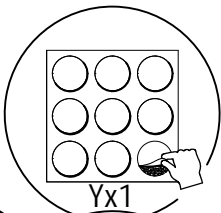
Sx16







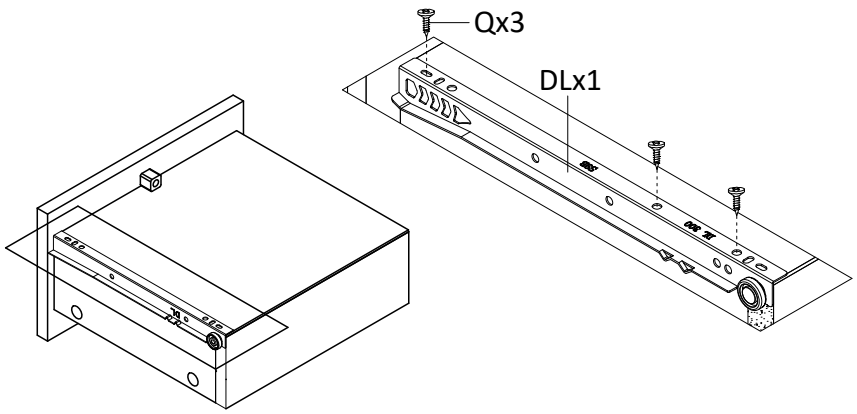
⑤ x2



⑥ x2

Qx6  
M3.5x $\frac{12}{0.5}$

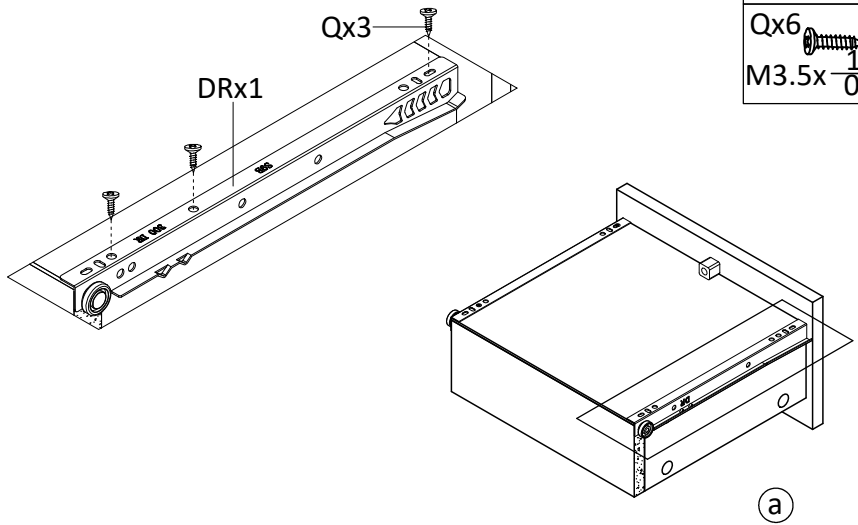
DLx2  
 $\frac{300}{11.8}$



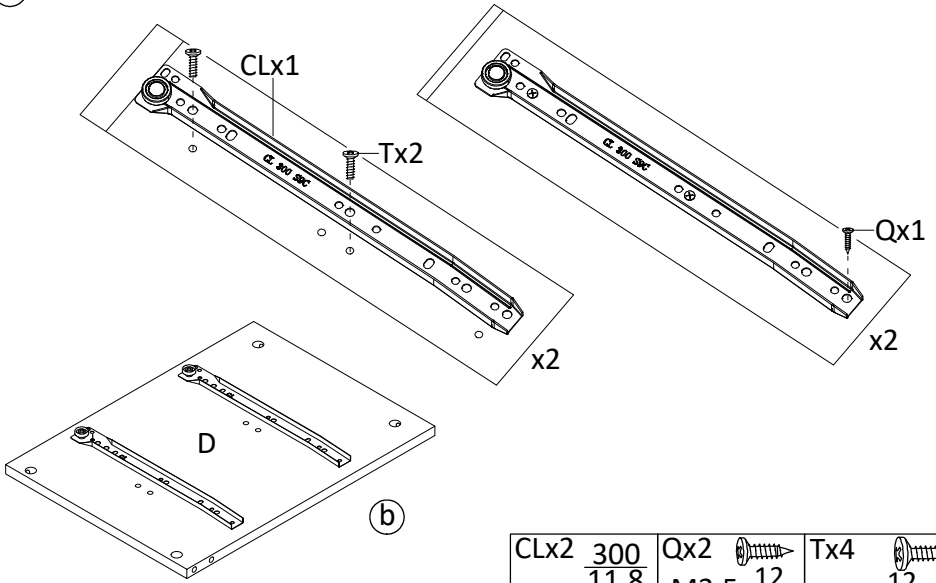
⑦ x2

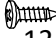


DRx2  
 $\frac{300}{11.8}$

Qx6  
M3.5x $\frac{12}{0.5}$

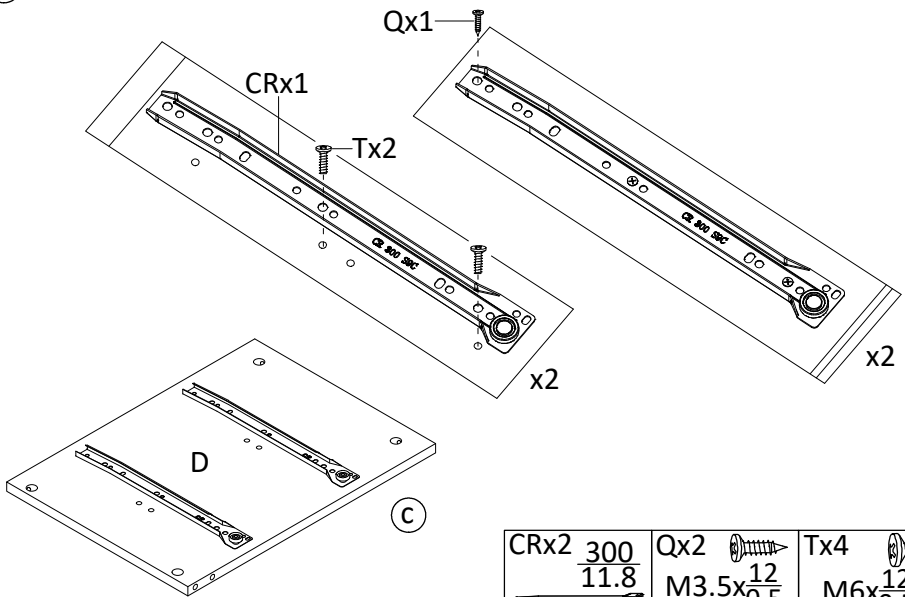


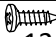


8



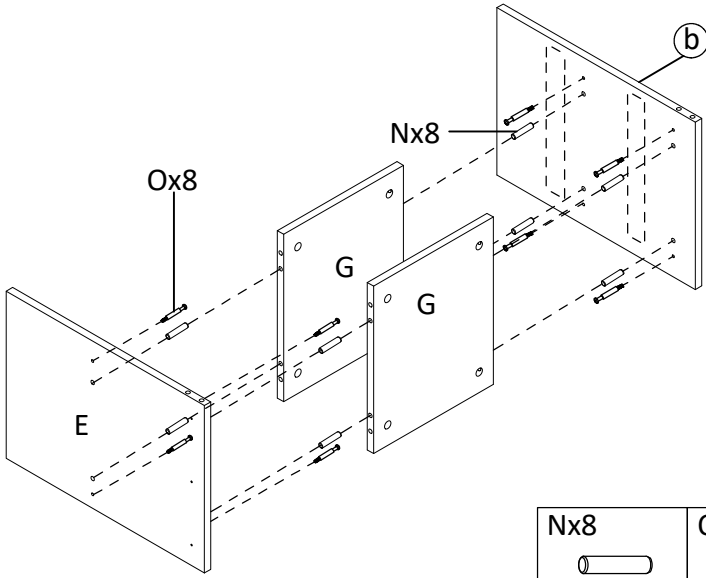
CLx2	$\frac{300}{11.8}$	Qx2	 $M3.5 \times \frac{12}{0.5}$	Tx4	 $M6 \times \frac{12}{0.5}$
					

9

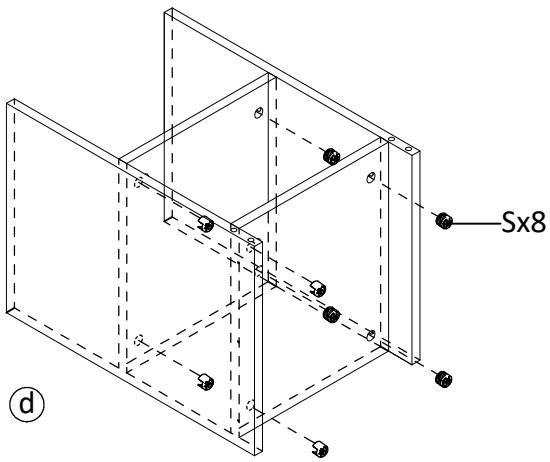


CRx2	$\frac{300}{11.8}$	Qx2	 $M3.5 \times \frac{12}{0.5}$	Tx4	 $M6 \times \frac{12}{0.5}$
					

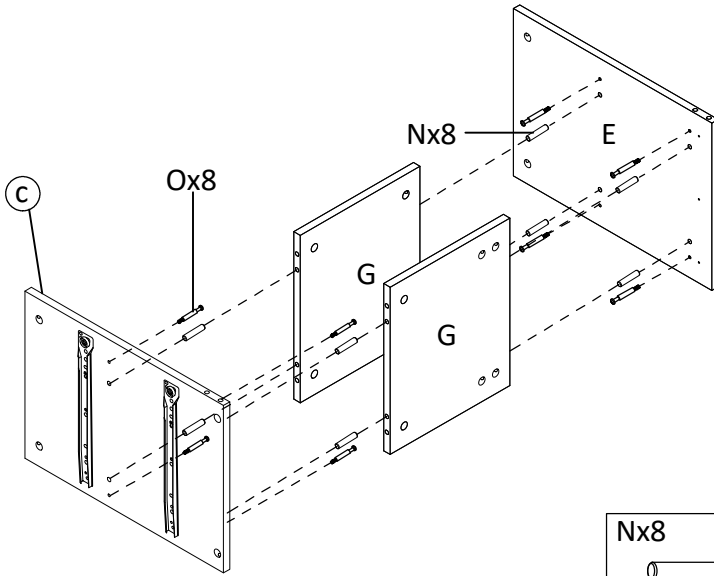
10



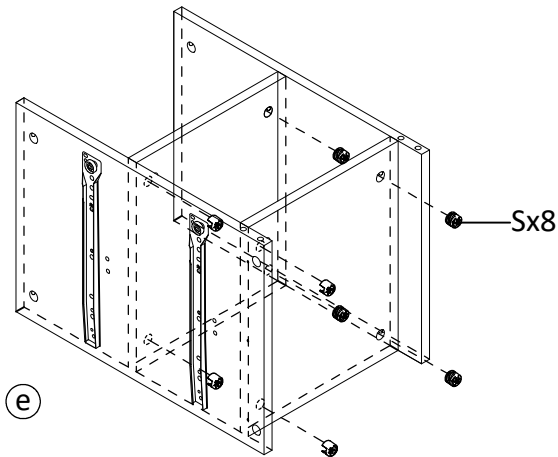
11



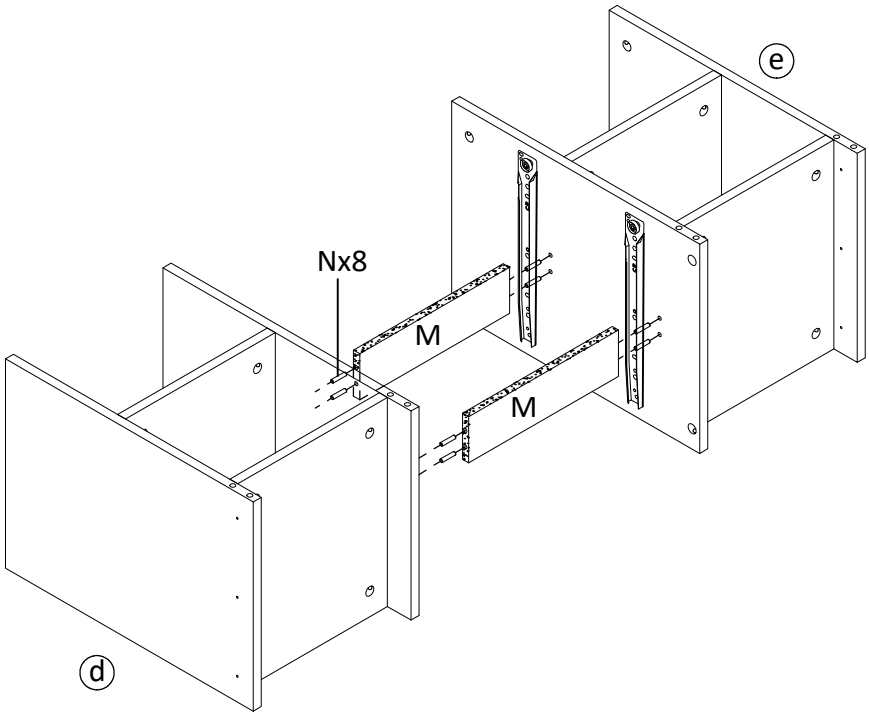
12



13



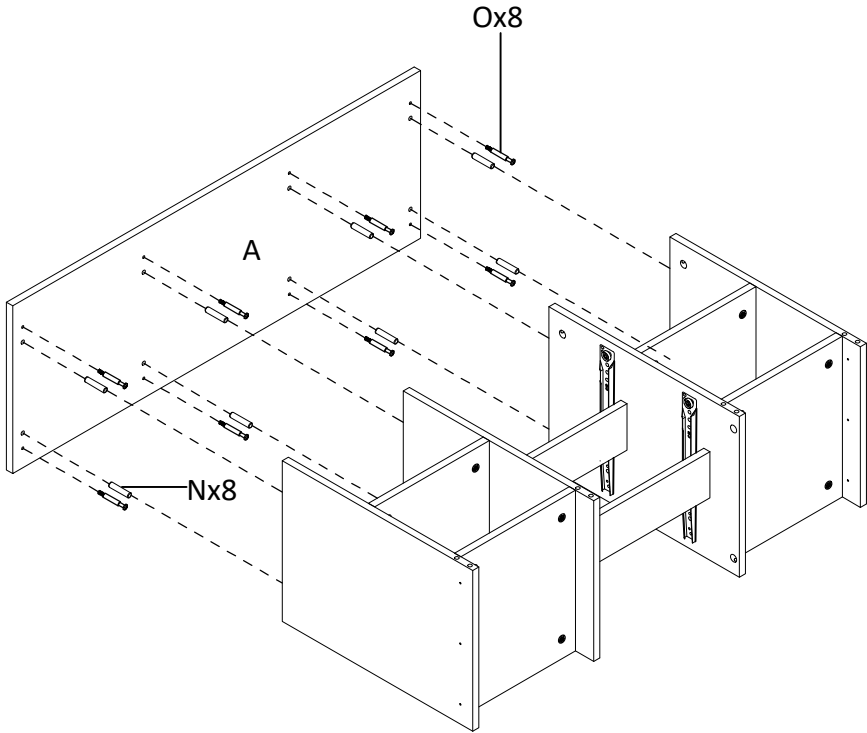
14



Nx8



15



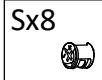
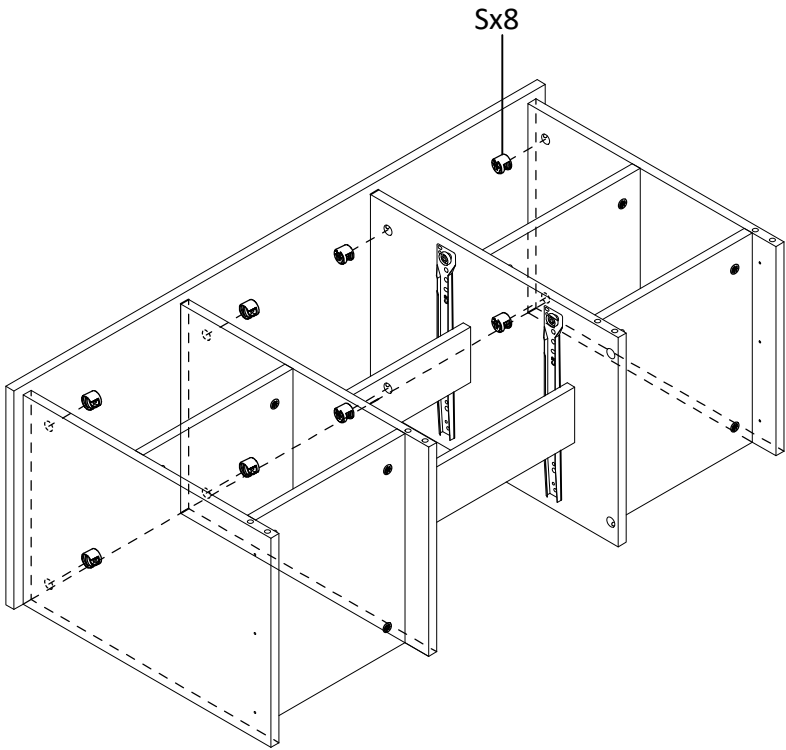
Nx8



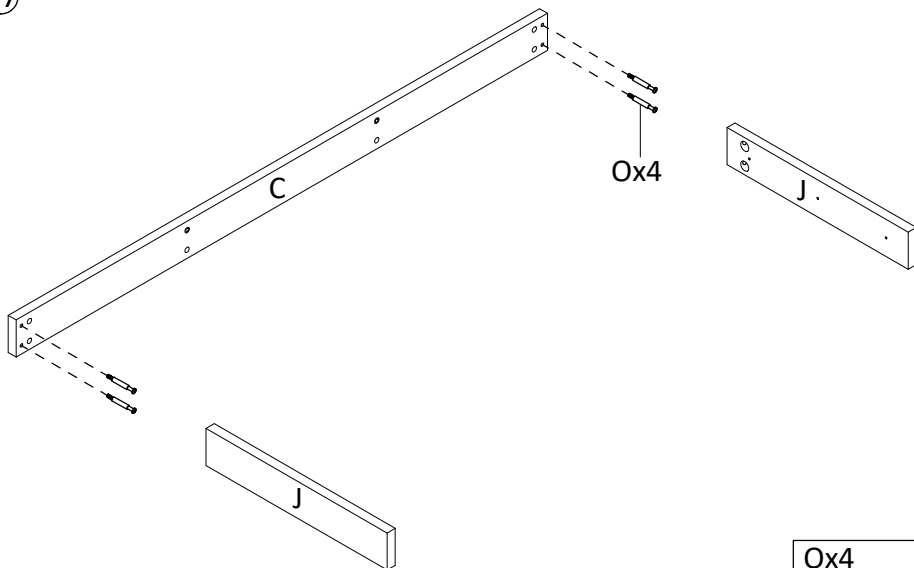
Ox8



16



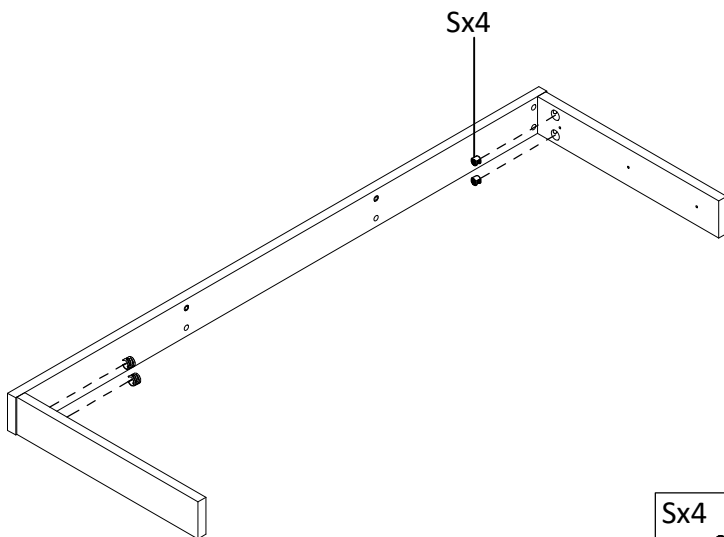
17



Ox4



18

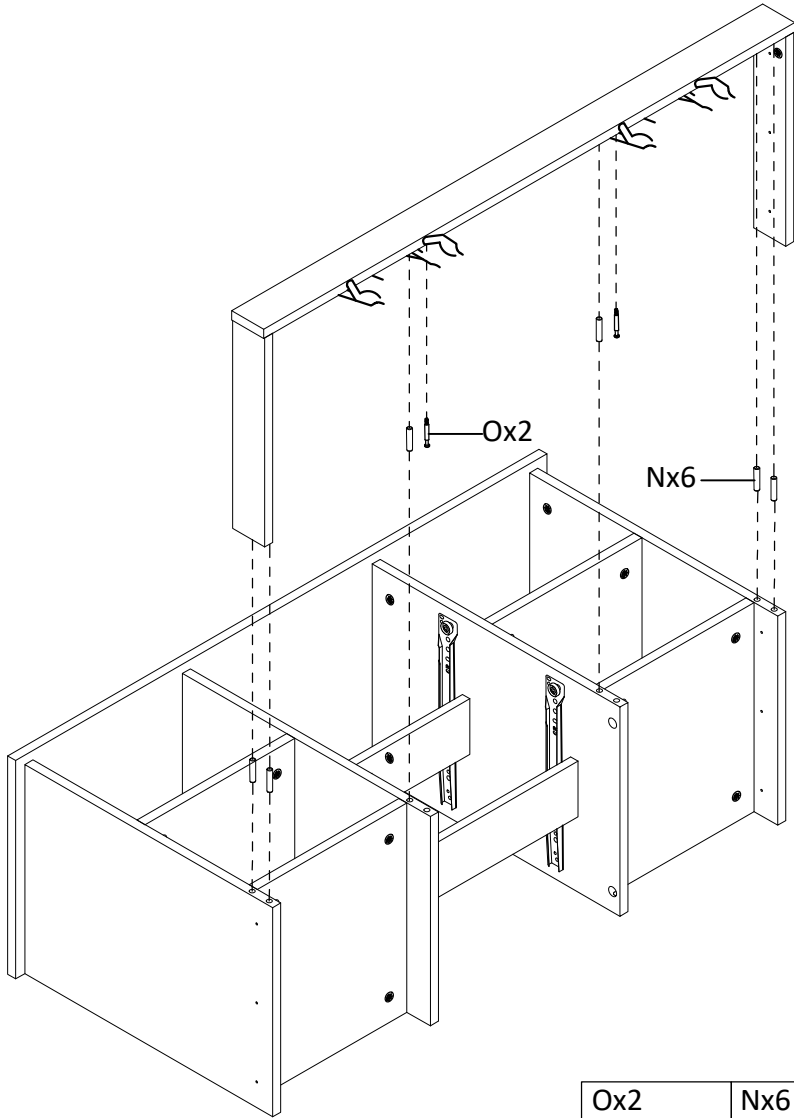


Sx4

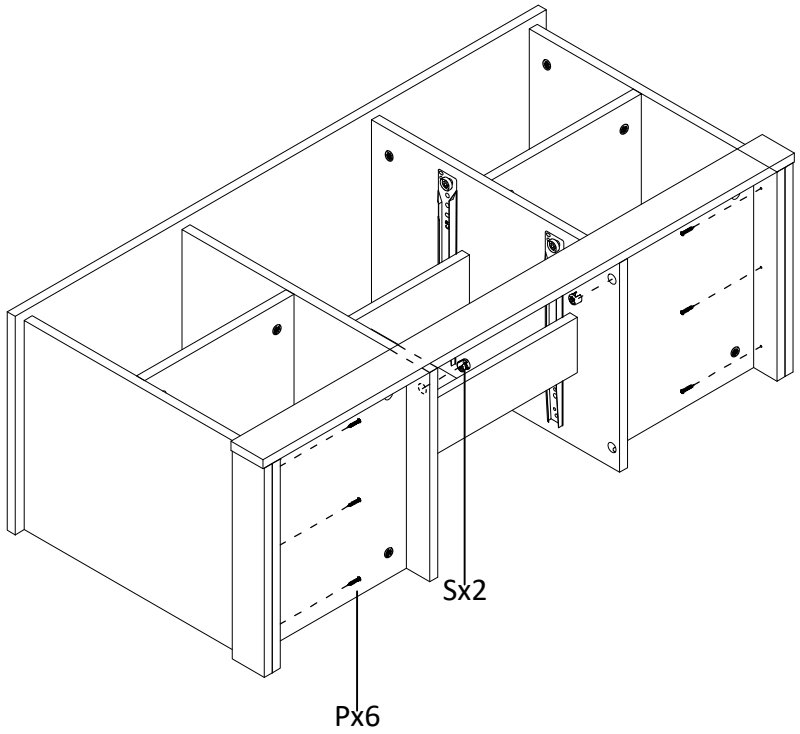
Sx4


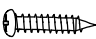


19

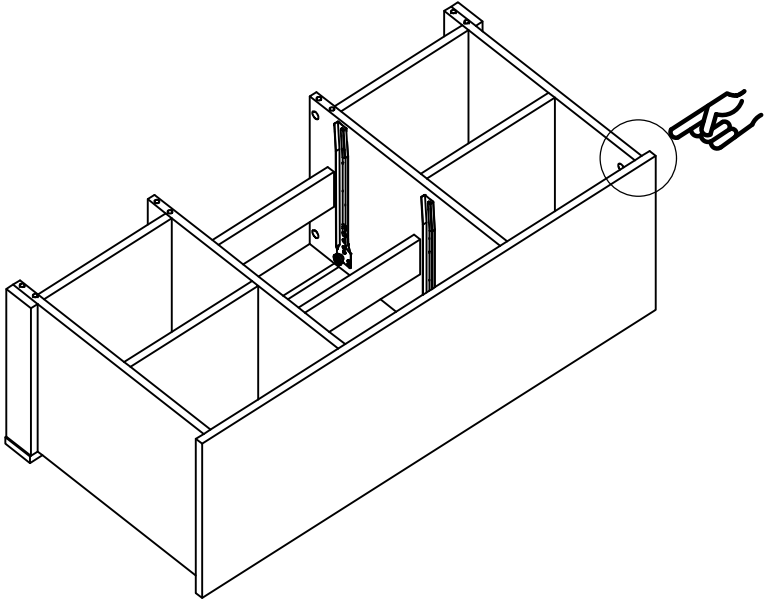
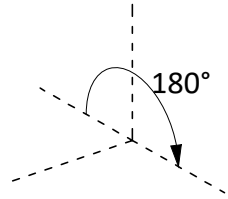
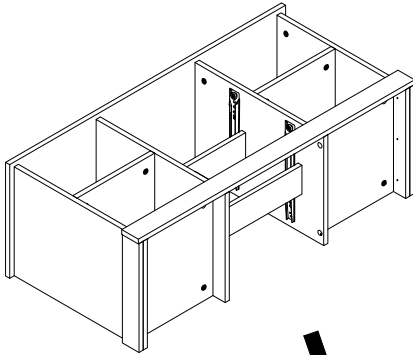


20

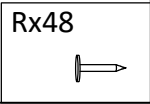
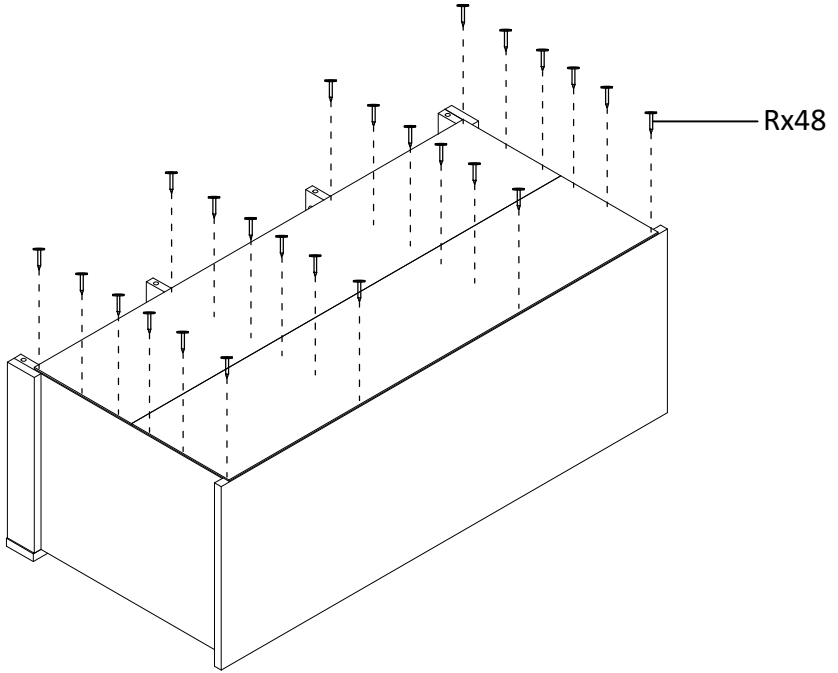


Sx2 	Px6  M3.5x $\frac{25}{1.0}$
--	---

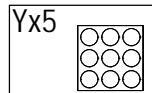
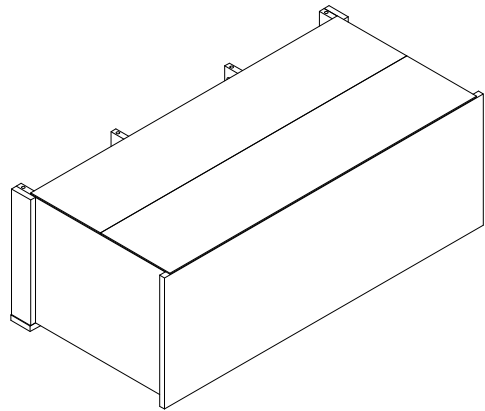
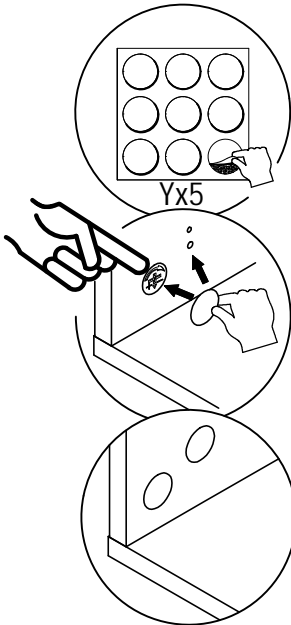
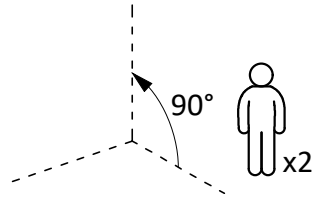
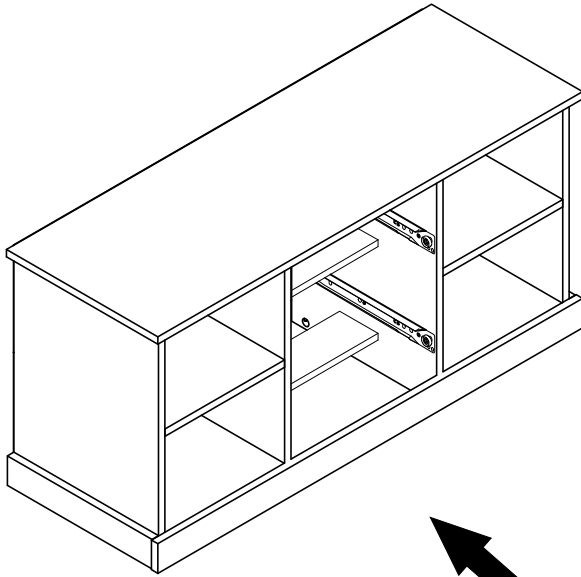
21



22



23



24

