

80277 NS ASSEMBLY INSTRUCTION

Thank you for purchasing this quality product. Be sure to check all packing material carefully for small parts which may have come loose inside the carton during shipment. Separate, identify and count all parts and hardware. Compare with the parts list to be sure all parts are present.

IMPORTANT : PLEASE READ INSTRUCTION BEFORE STARTING THE ASSEMBLY.

"DO NOT TIGHTEN SCREWS UNTIL COMPLETELY ASSEMBLED"

"DO NOT OVERTIGHT ANY HARDWARE"

WARNING : SMALL PARTS AND HARDWARE NOT FOR CHILDREN UNDER 3 YEARS. ADULT ASSEMBLY REQUIRED.

TABLE OF CONTENTS

HARDWARES LIST

PAGE 2

PARTS LIST

PAGE 3 - 4

PARTS' LOCATION

PAGE 5

ASSEMBLY STEPS

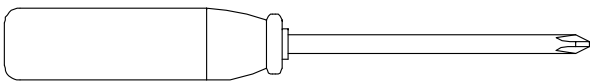
PAGE 6 - 17

ASSEMBLY COMPLETED

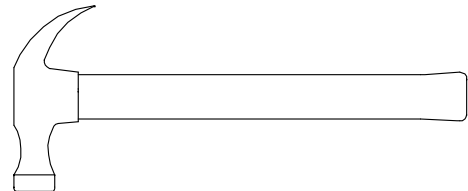
PAGE 17

ASSEMBLY TOOLS REQUIRED

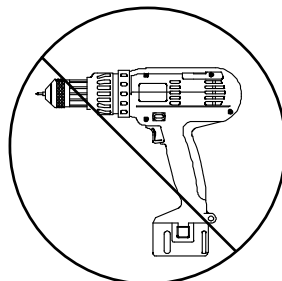
1. Screwdriver (not provide)



2. Hammer (not provide)

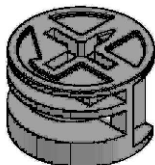
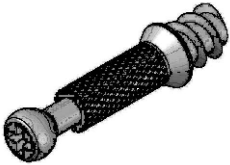
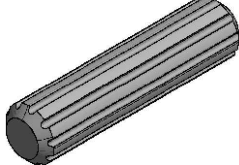
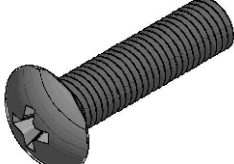
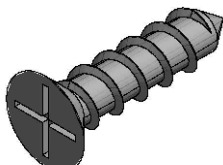
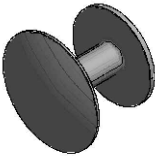
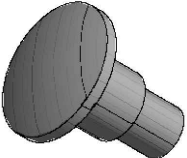
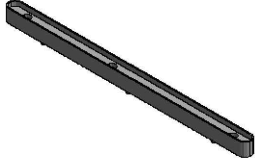


Skip the power trip this time.



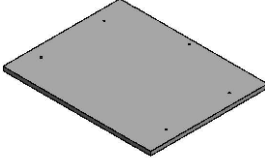
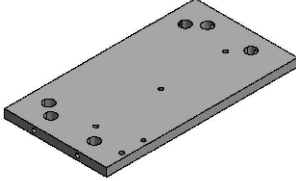
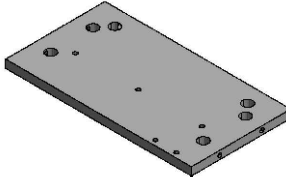
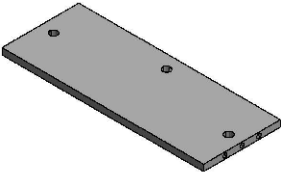
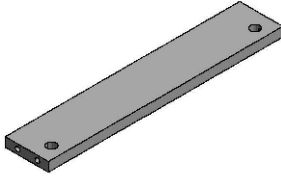
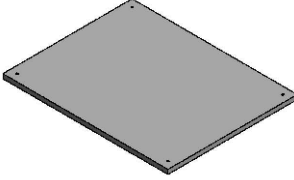
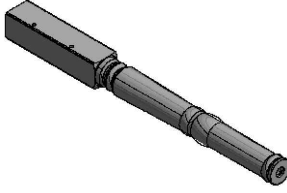
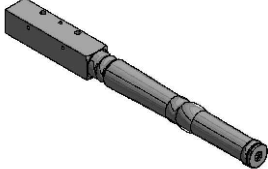
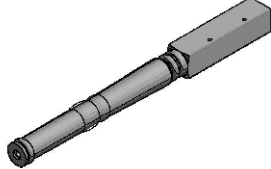
80277 NS ASSEMBLY INSTRUCTION

HARDWARES LIST

| ITEM | DESCRIPTION | DRAWING | QTY |
|------|------------------------|--|--------|
| A | MINIFIX CAM LOCK |  | 21 PCS |
| B | MINIFIX CAM BOLT |  | 21 PCS |
| C | WOOD DOWEL (M6 x 25MM) |  | 14 PCS |
| D | TRUSS M-SCREW (18MM) |  | 1 PC |
| E | CSK SCREW M4 x 16mm |  | 6 PCS |
| F | HANDLE |  | 1 PC |
| G | PVC GLIDDER STOP |  | 2 PCS |
| H | PVC SLIDE |  | 2 PCS |

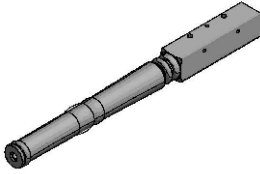

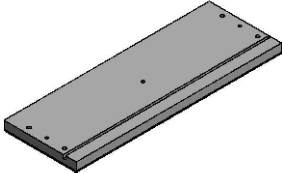
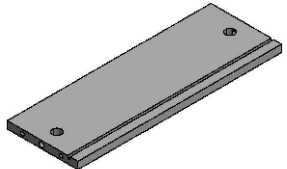
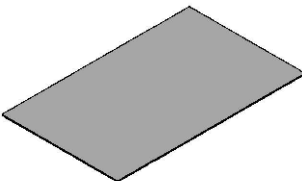
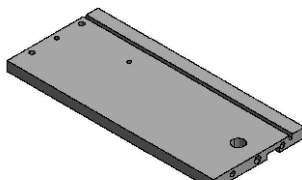
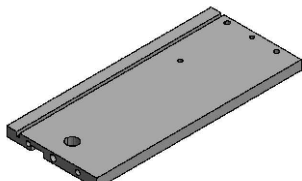
80277 NS ASSEMBLY INSTRUCTION

PARTS LIST

| ITEM | DESCRIPTION | DRAWING | QTY |
|------|-----------------|--|------|
| N1 | TOP PANEL |  | 1 PC |
| N2 | LEFT PANEL |  | 1 PC |
| N3 | RIGHT PANEL |  | 1 PC |
| N4 | BACK PANEL |  | 1 PC |
| N5 | FRONT SUPPORT |  | 1 PC |
| N6 | BOTTOM PANEL |  | 1 PC |
| N7 | FRONT LEFT LEG |  | 1 PC |
| N8 | BACK LEFT LEG |  | 1 PC |
| N9 | FRONT RIGHT LEG |  | 1 PC |

80277 NS ASSEMBLY INSTRUCTION

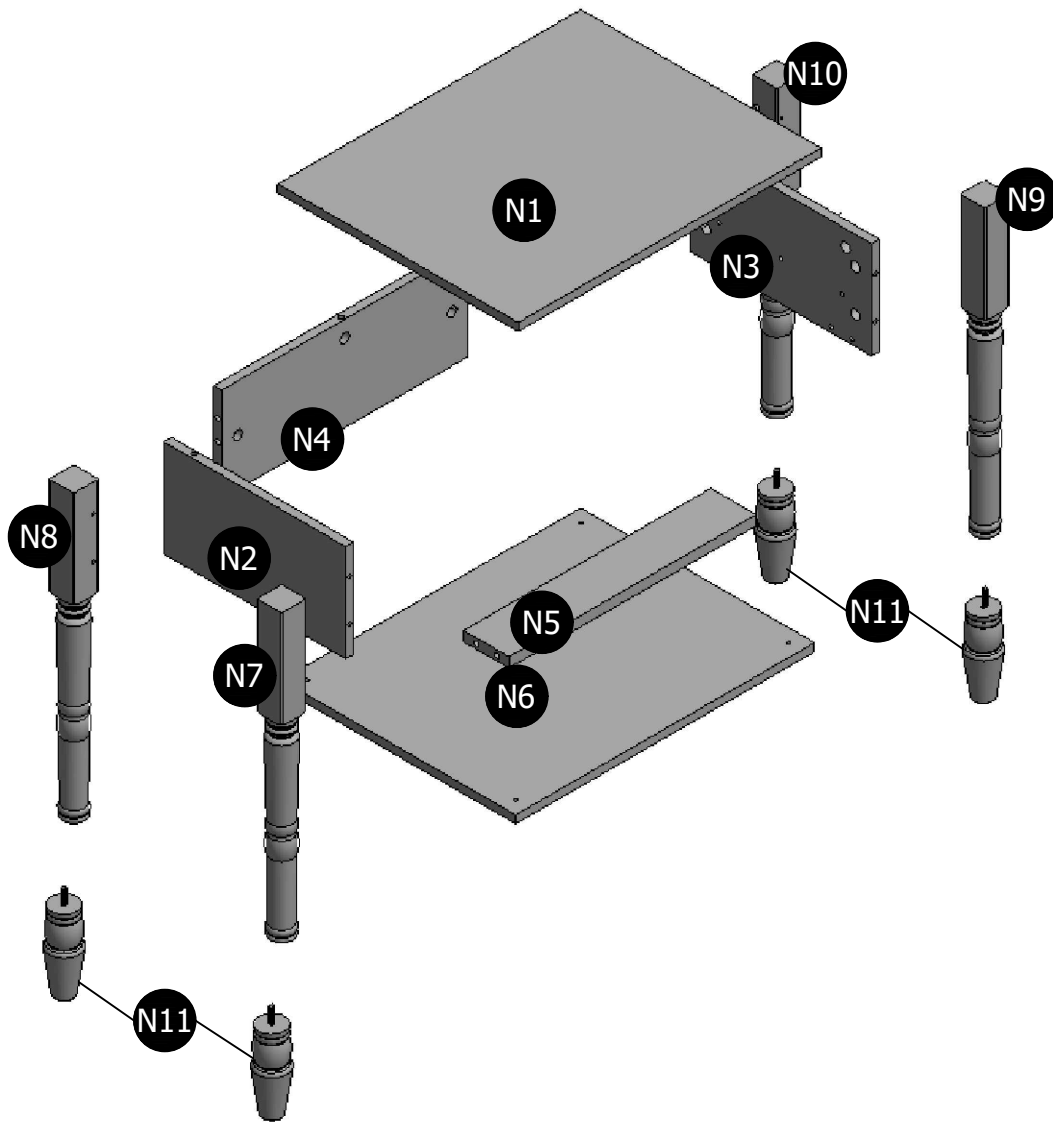
PARTS LIST

| ITEM | DESCRIPTION | DRAWING | QTY |
|------|---------------------|--|-------|
| N10 | BACK RIGHT LEG |  | 1 PC |
| N11 | BOTTOM LEG |  | 4 PCS |
| N12 | DRAWER HEAD |  | 1 PC |
| N13 | DRAWER BACK PANEL |  | 1 PC |
| N14 | DRAWER BOTTOM PANEL |  | 1 PC |
| 19 | DRAWER LEFT PANEL |  | 1 PC |
| 20 | DRAWER RIGHT PANEL |  | 1 PC |

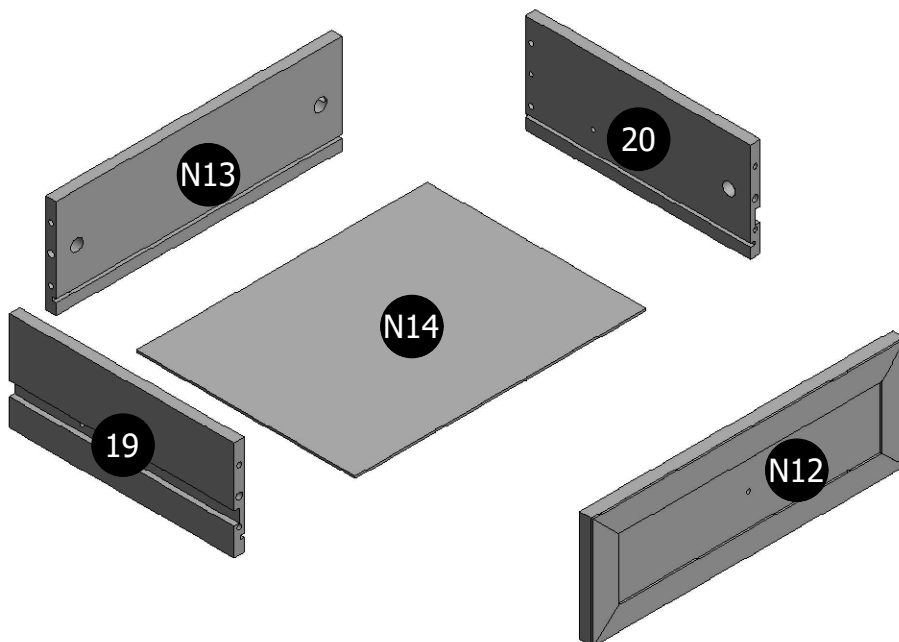
80277 NS ASSEMBLY INSTRUCTION

PARTS ' LOCATION

NIGHTSTAND x 1 PC



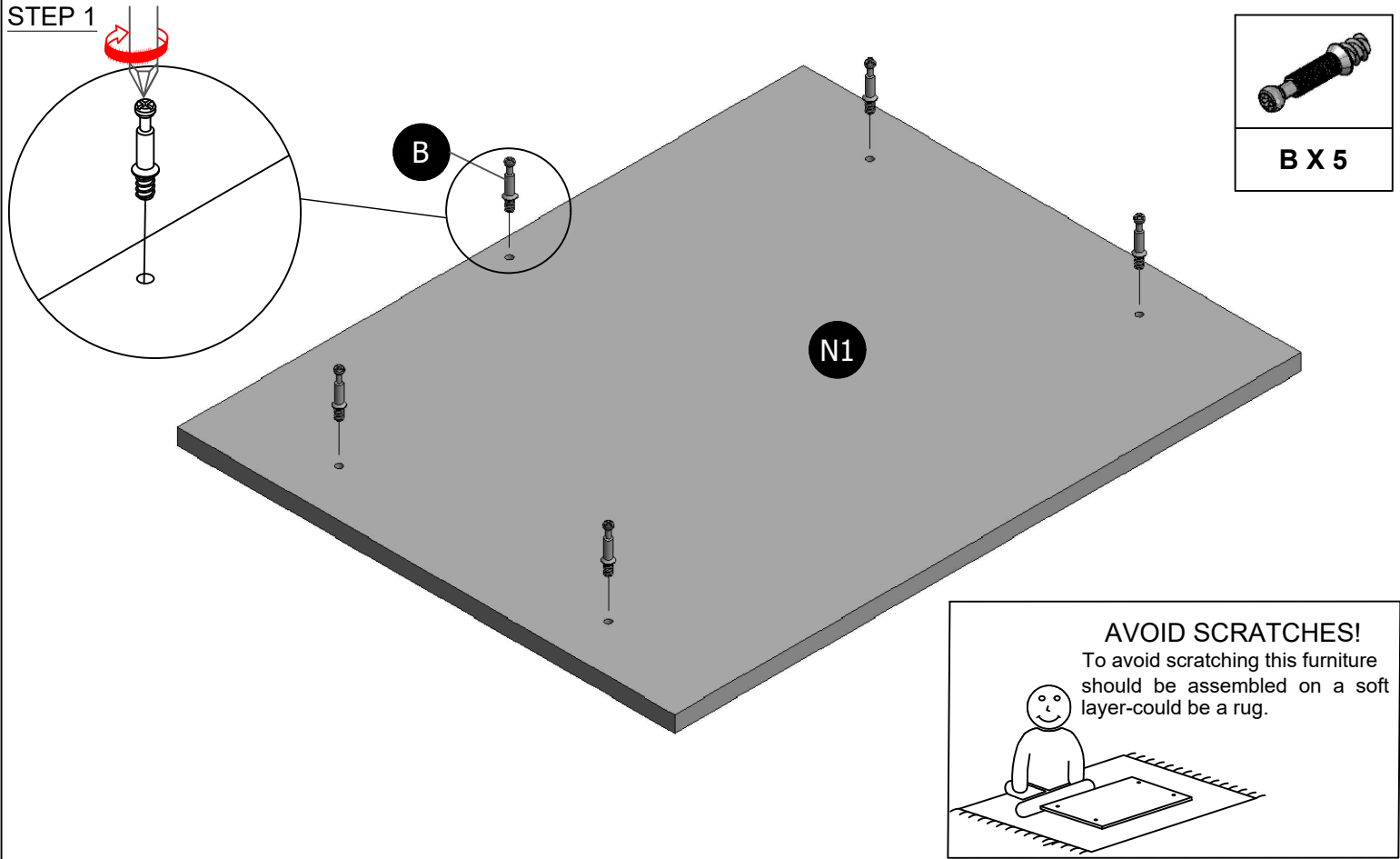
DRAWER x 1 PC



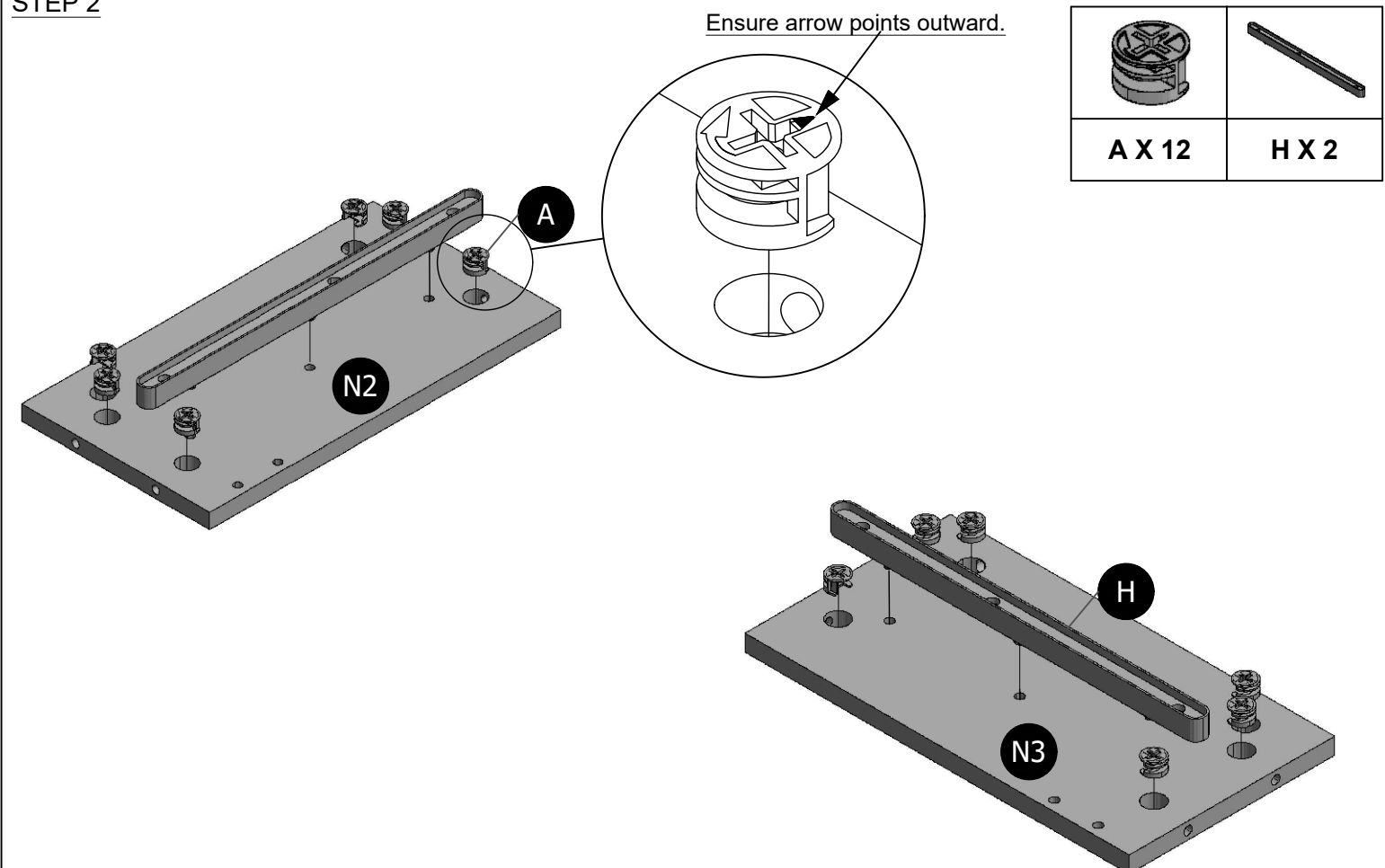
80277 NS ASSEMBLY INSTRUCTION

ASSEMBLY STEPS

STEP 1

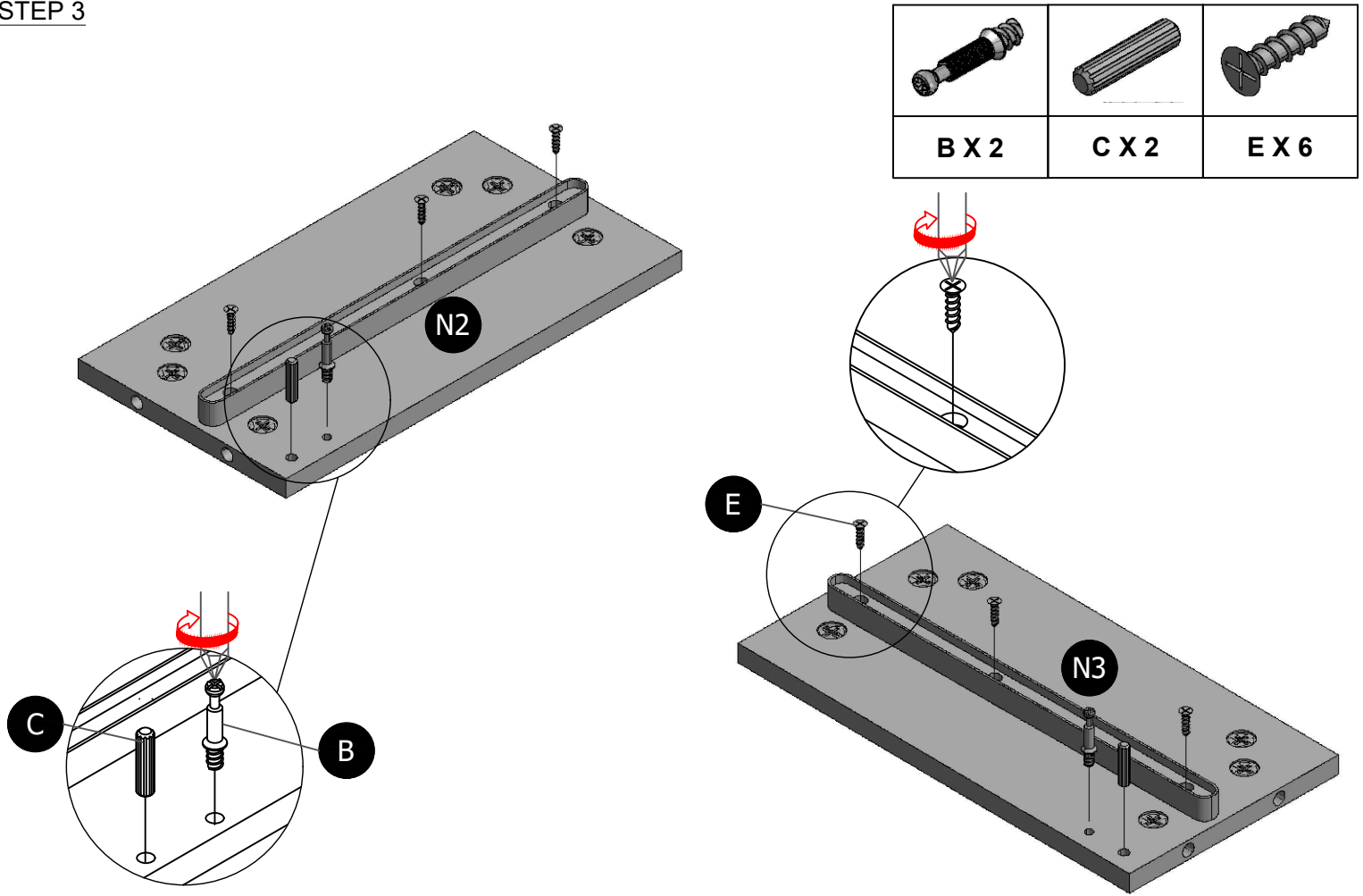


STEP 2

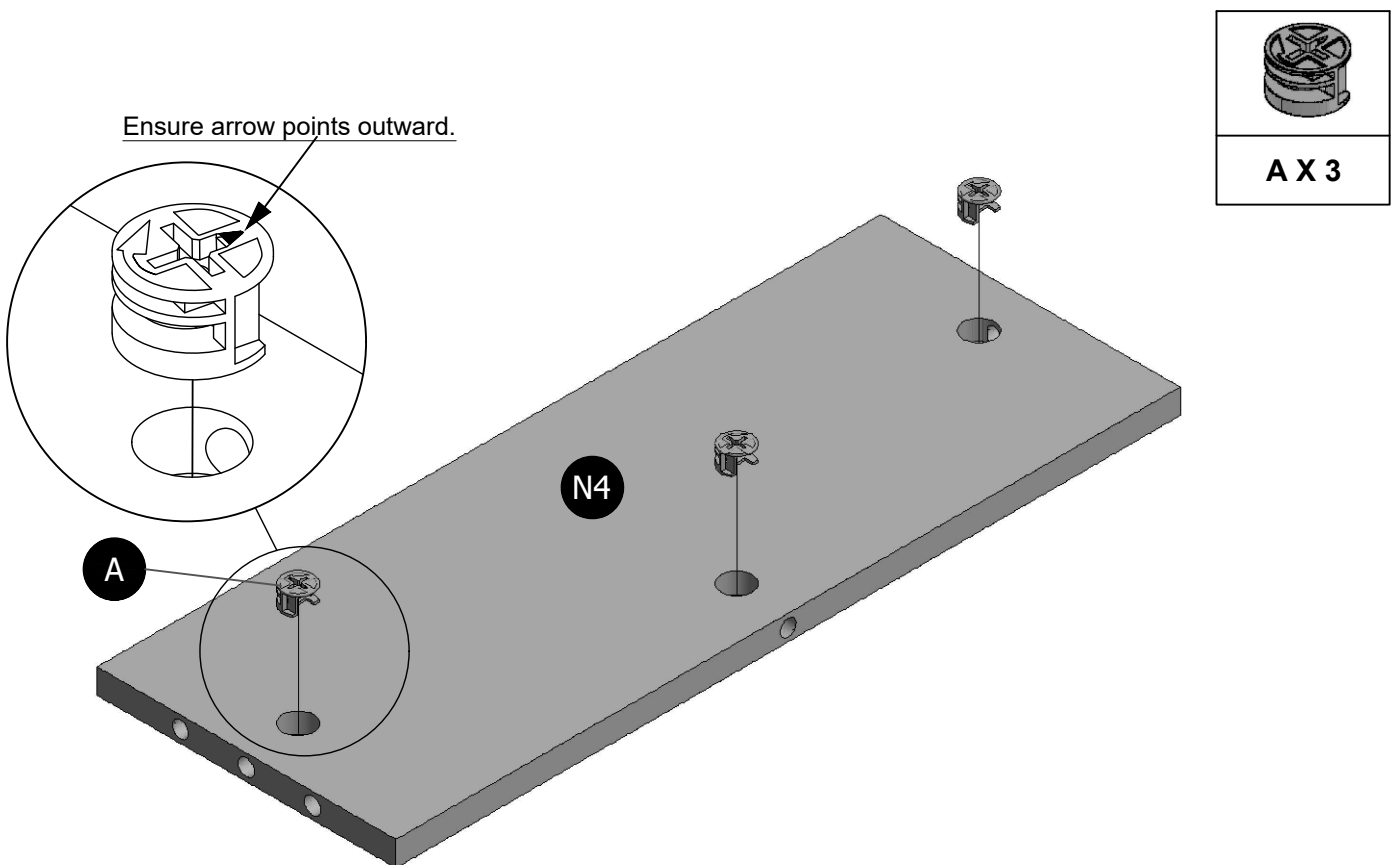


80277 NS ASSEMBLY INSTRUCTION

STEP 3

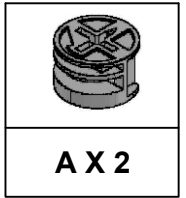
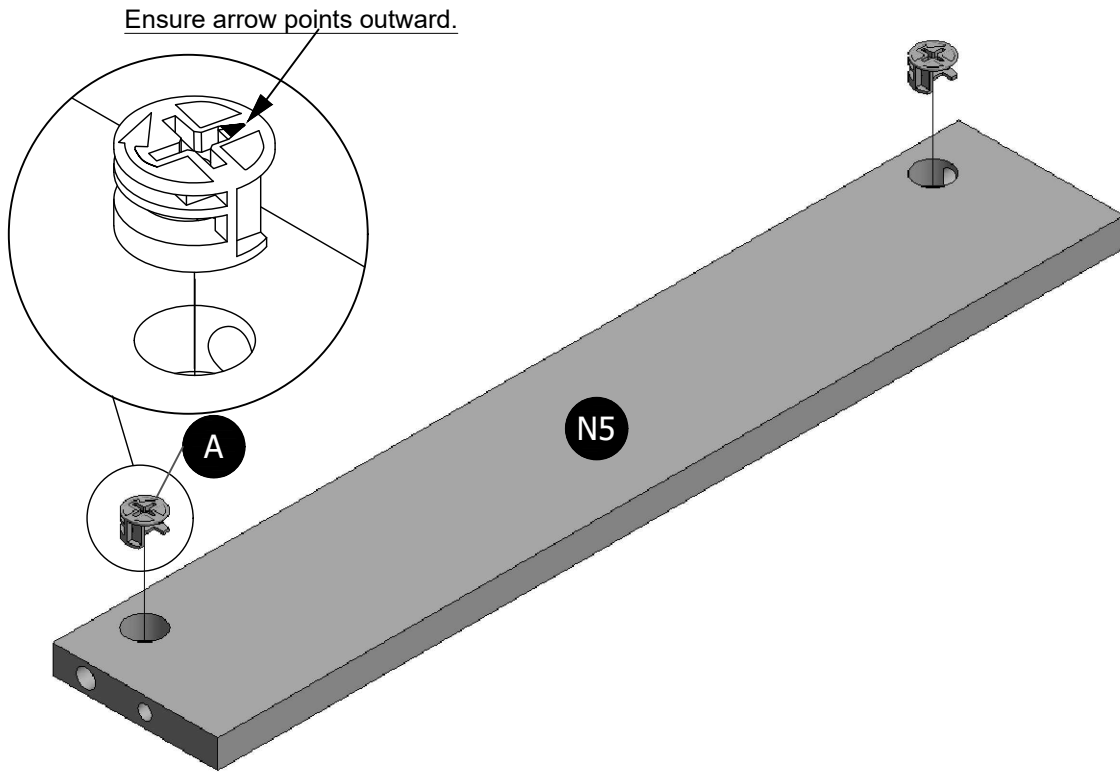


STEP 4

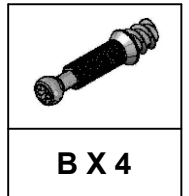
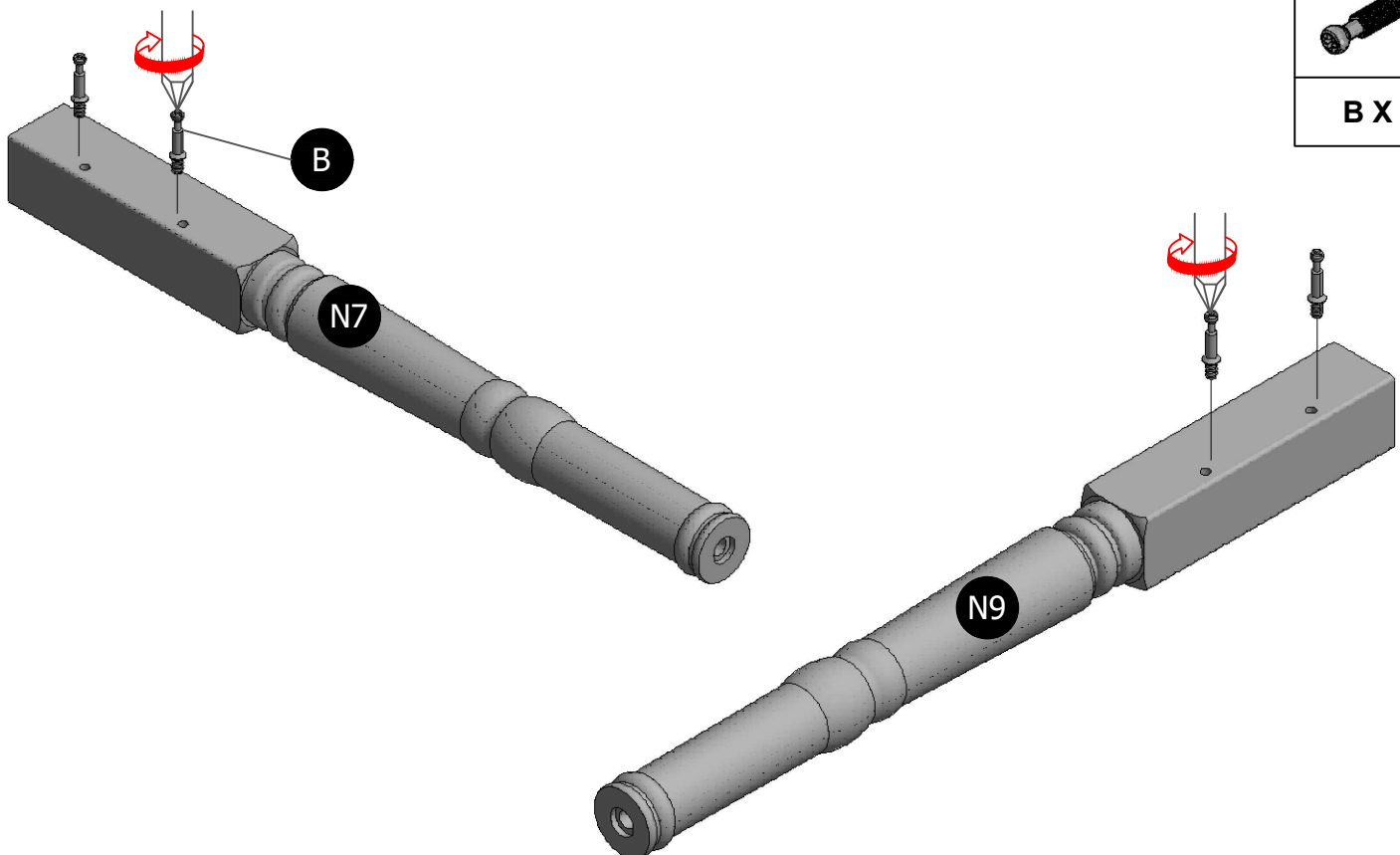


80277 NS ASSEMBLY INSTRUCTION

STEP 5

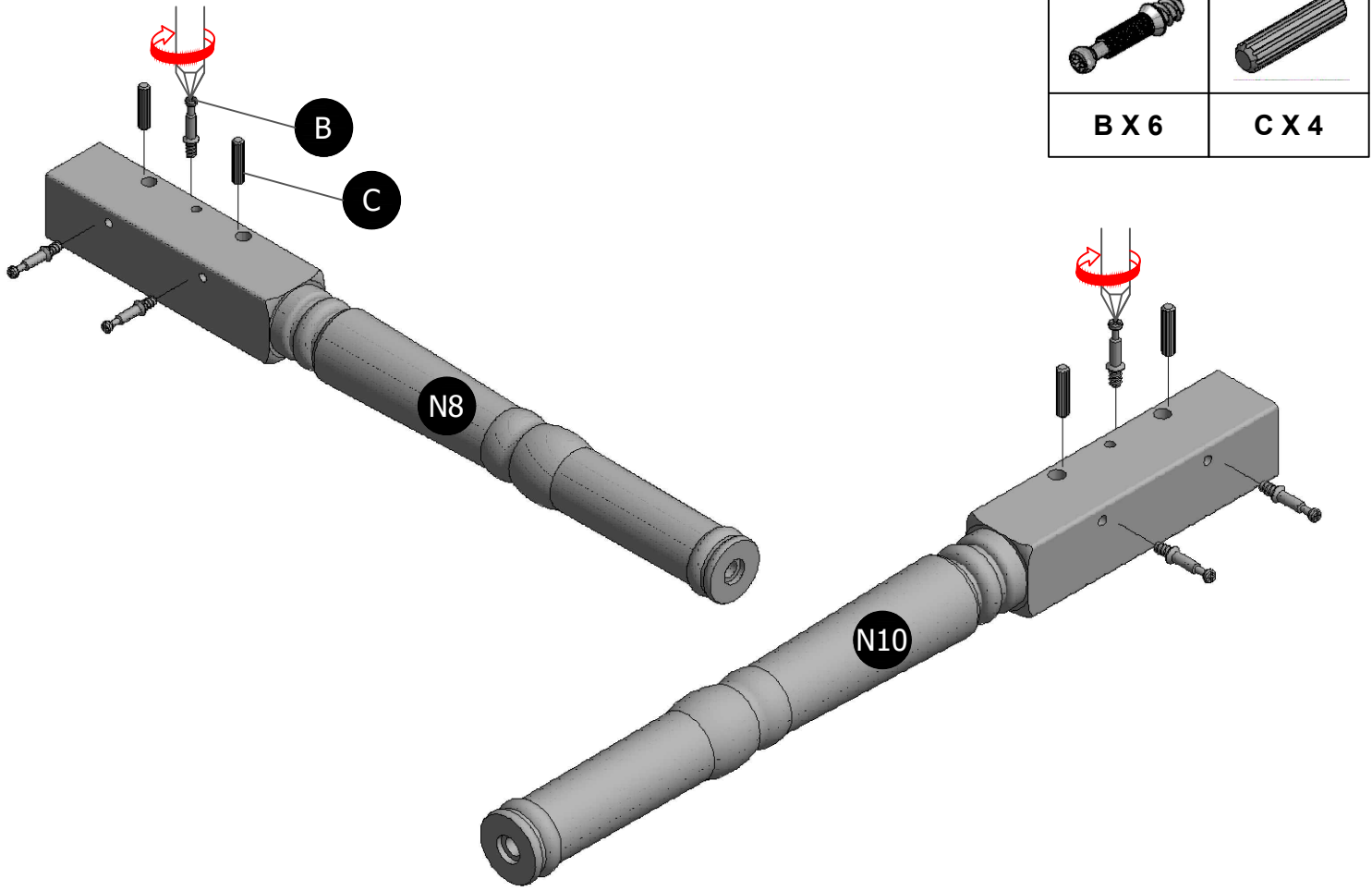


STEP 6



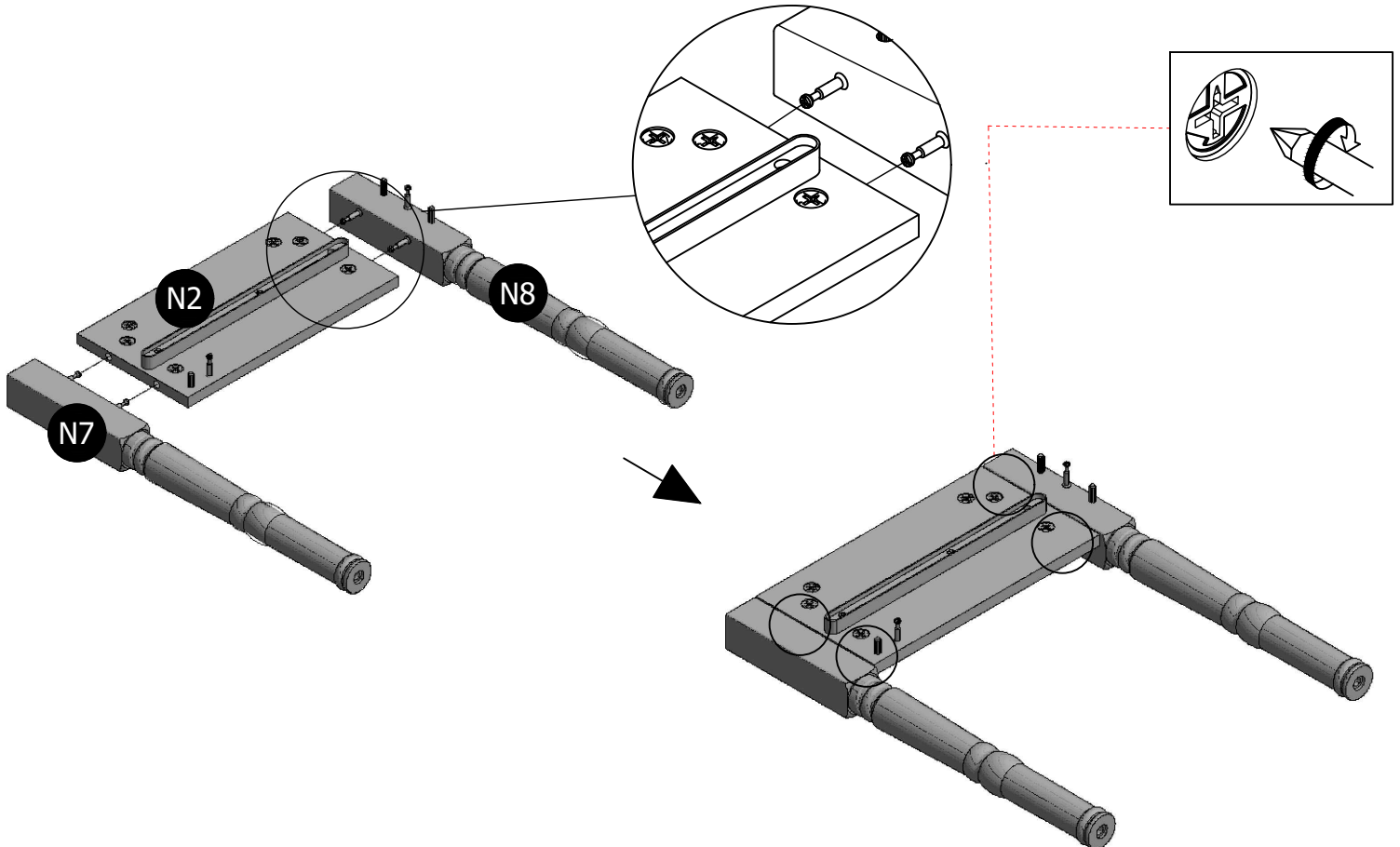
80277 NS ASSEMBLY INSTRUCTION

STEP 7



STEP 8

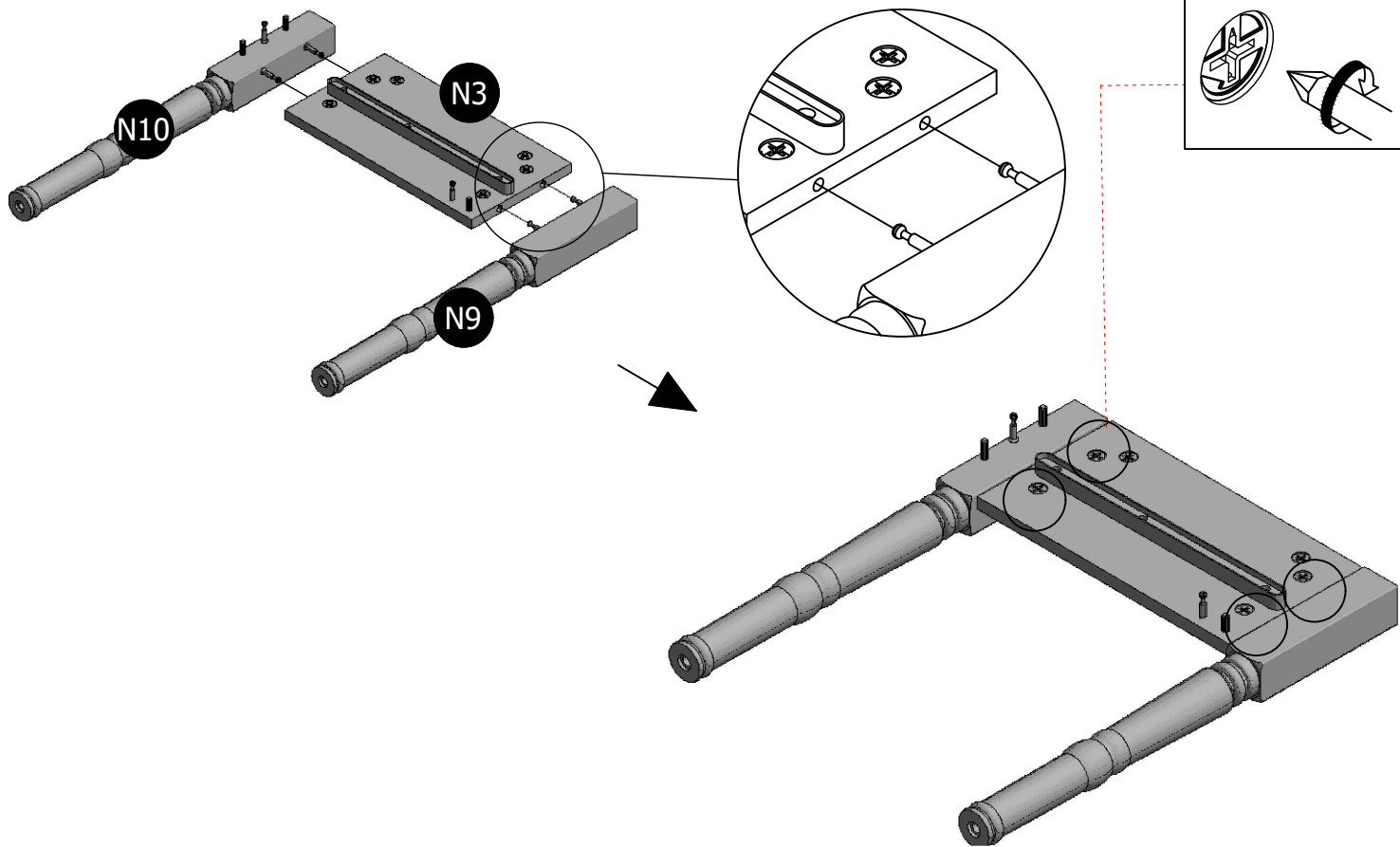
Combine (N7) & (N8) into the (N2), then tighten 4 pcs (A) as shown.



80277 NS ASSEMBLY INSTRUCTION

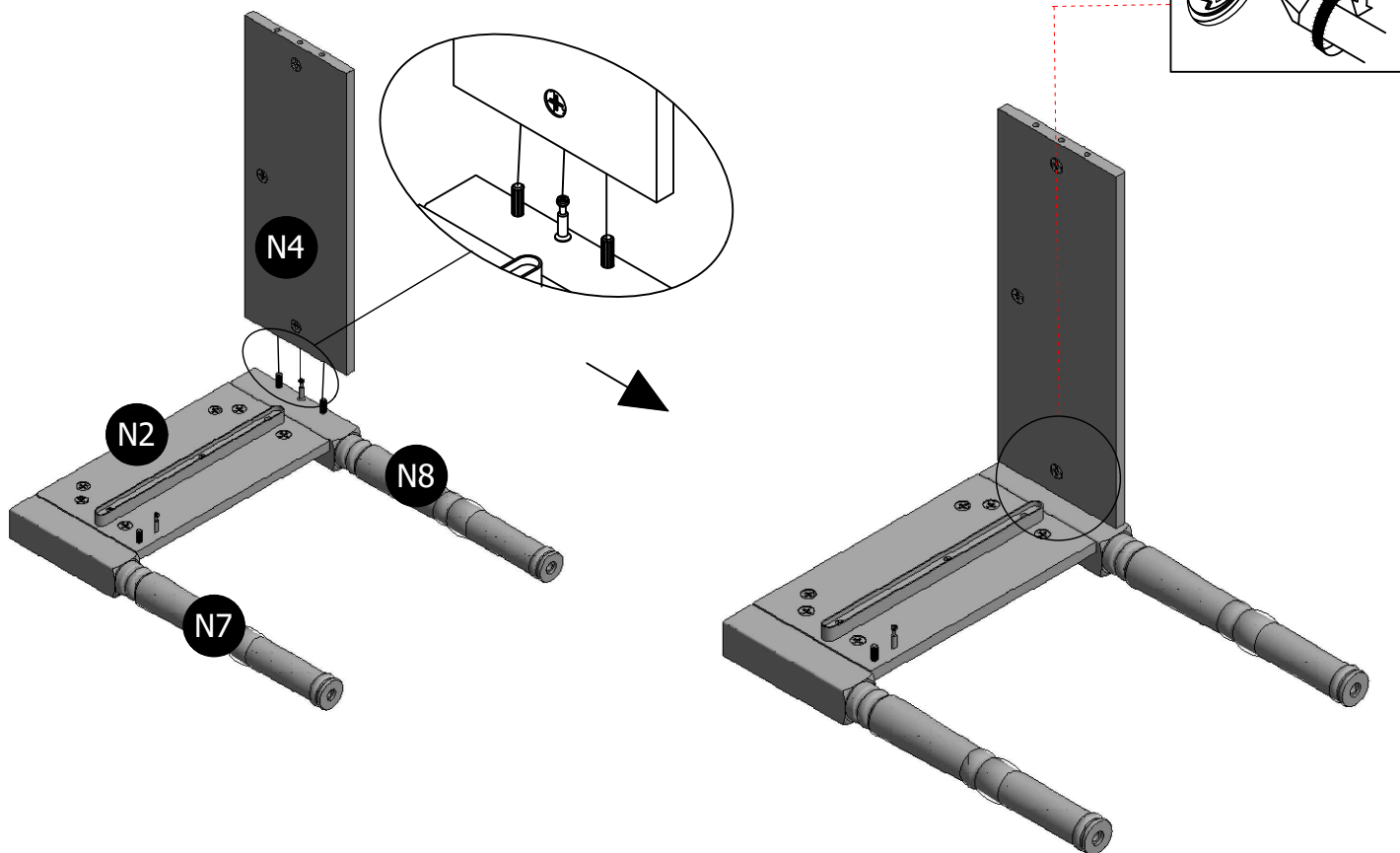
STEP 9

Combine (N9) & (N10) into the (N3), then tighten 4 pcs (A) as shown.



STEP 10

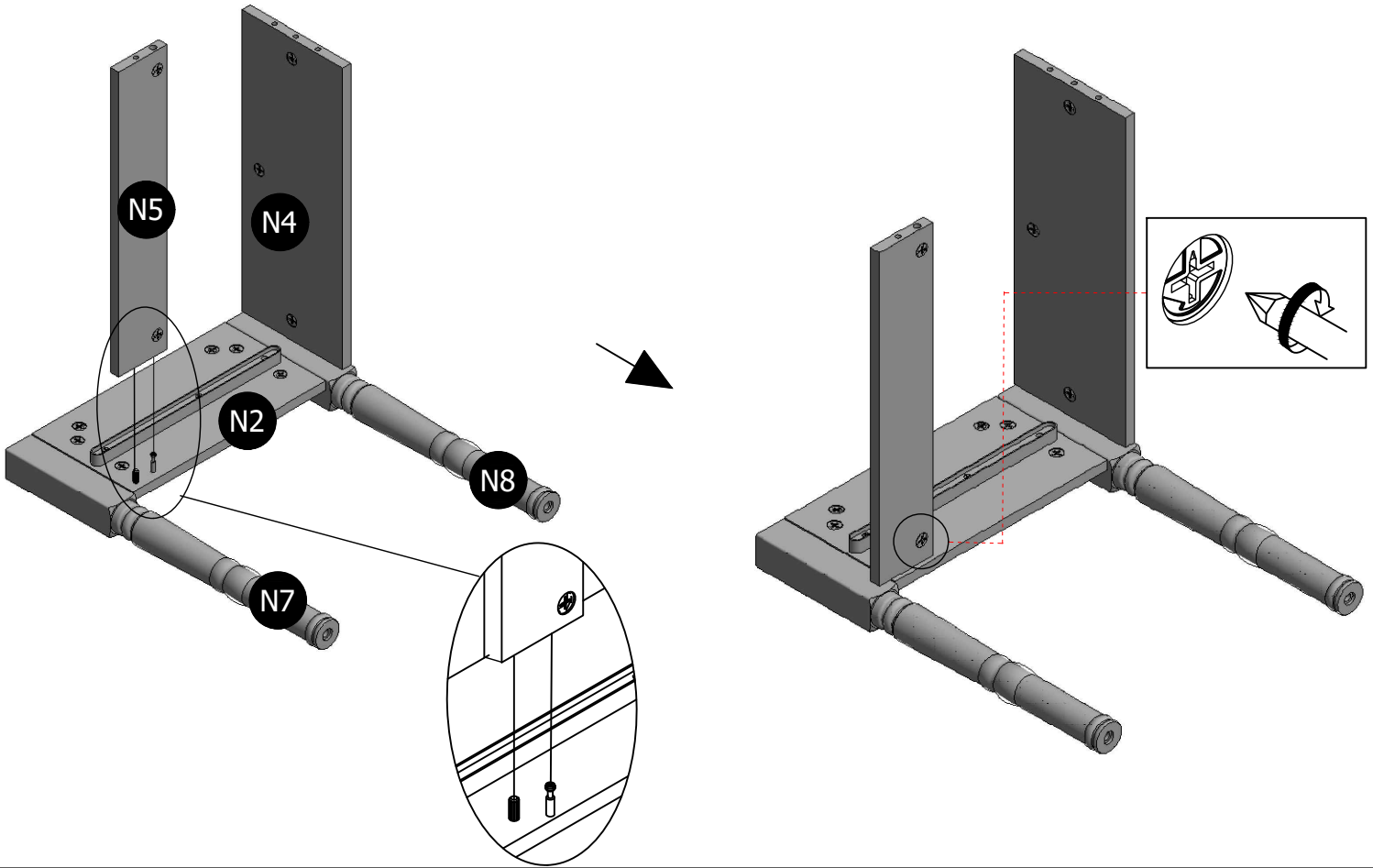
Combine (N4) to the (N8), then tighten 1 pc (A) as shown.



80277 NS ASSEMBLY INSTRUCTION

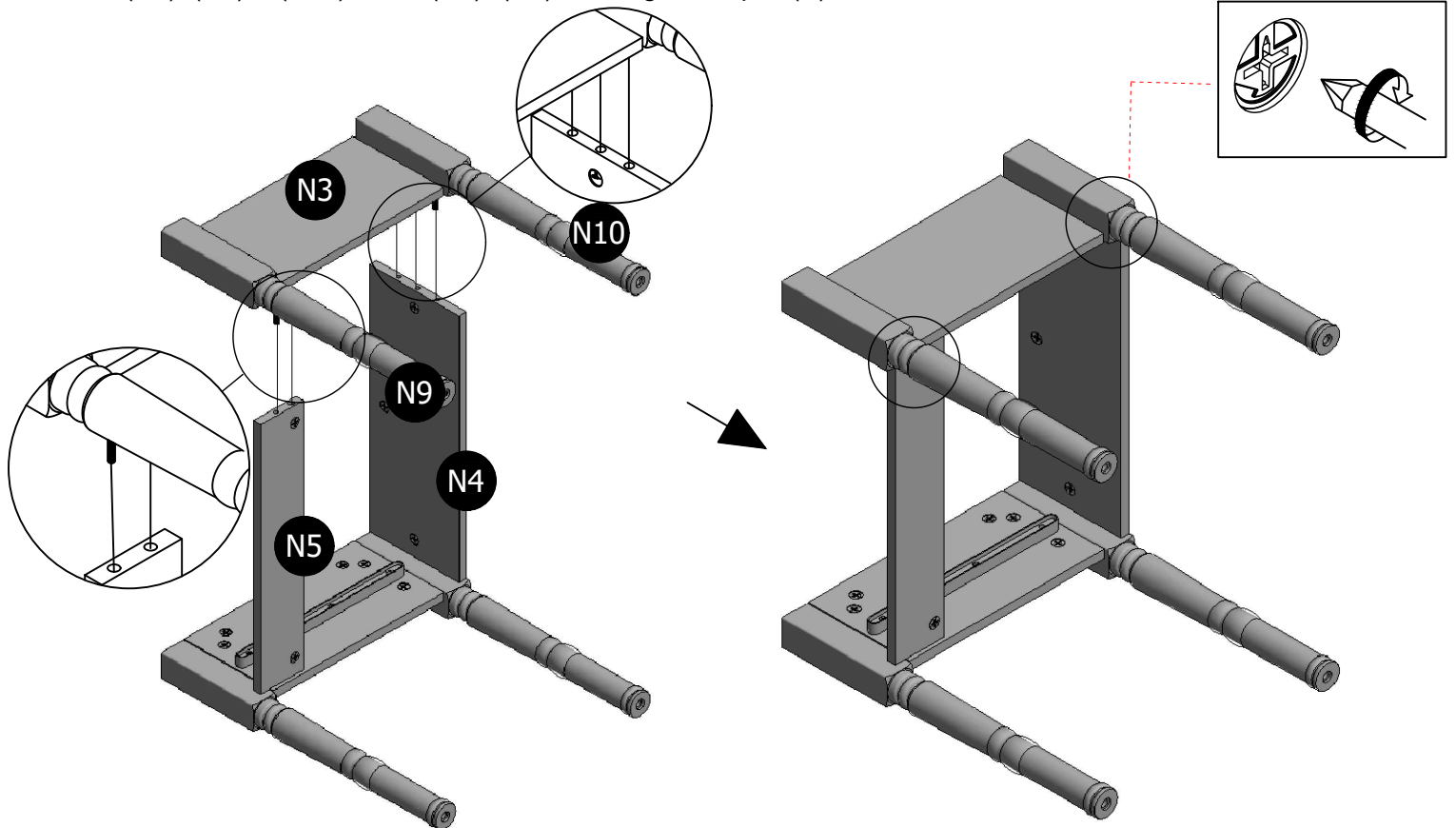
STEP 11

Combine (N5) to the (N2), then tighten 1 pc (A) as shown.



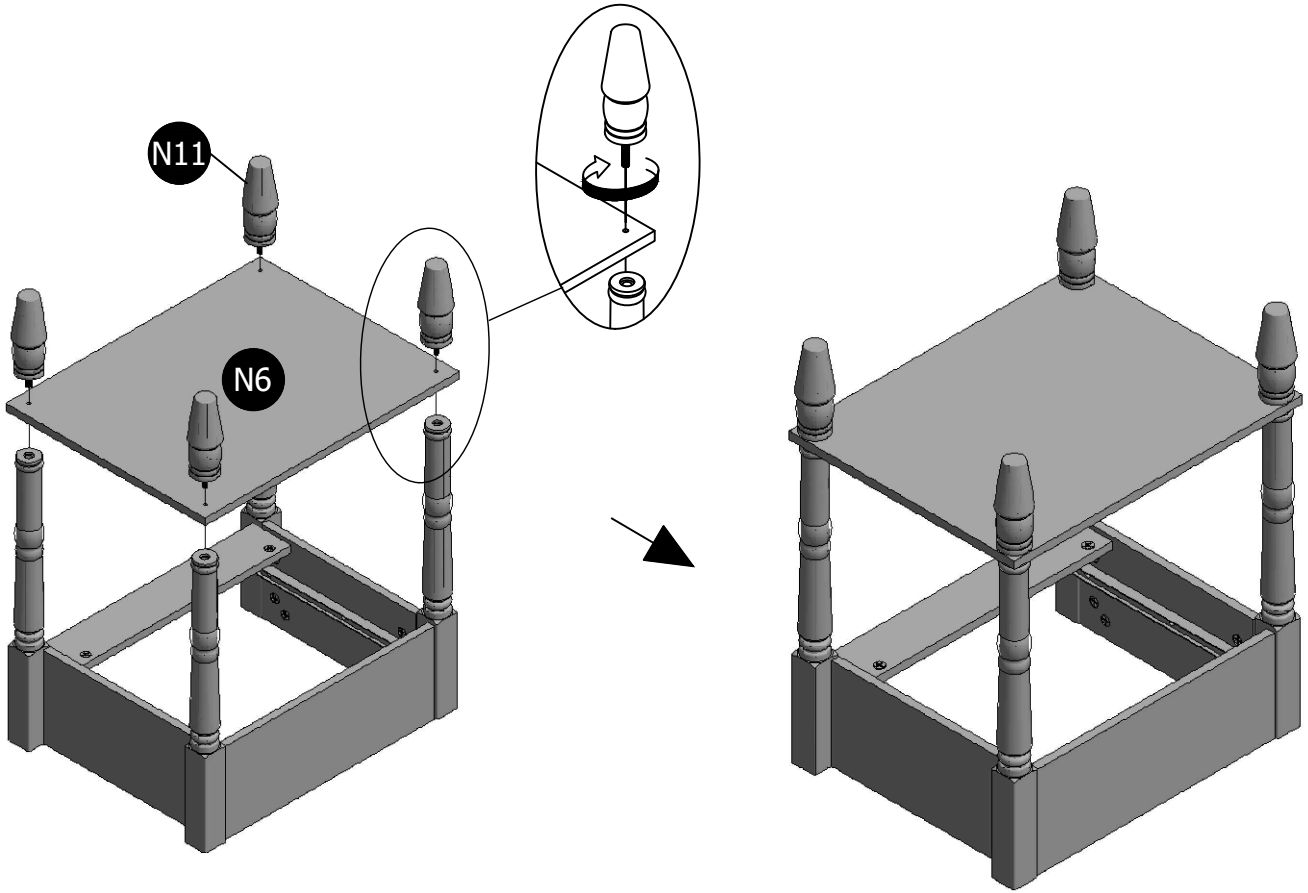
STEP 12

Combine (N3), (N9) & (N10) to the (N4)&(N5) then, tighten 2 pcs (A) as shown.



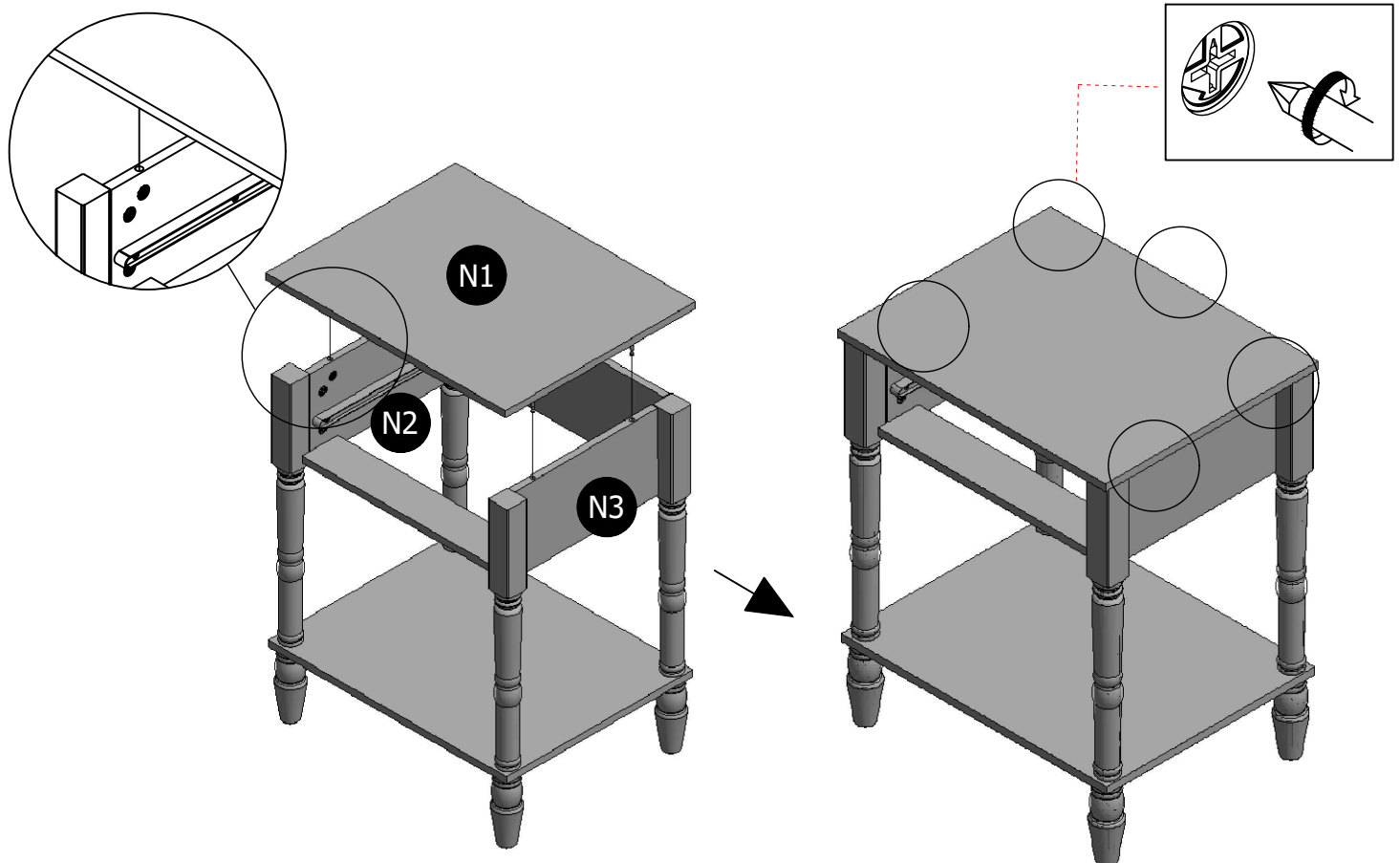
80277 NS ASSEMBLY INSTRUCTION

STEP 13



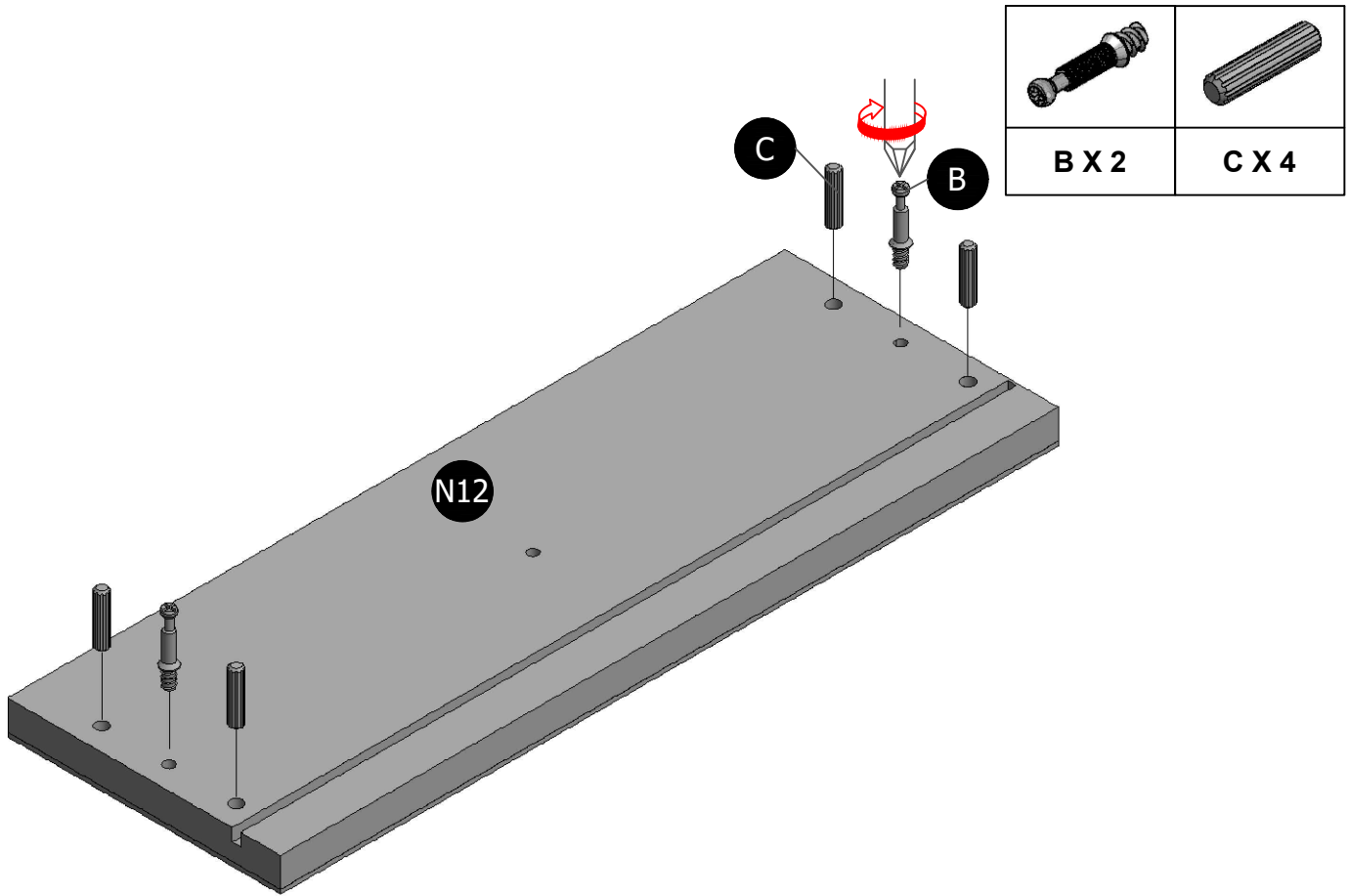
STEP 14

Combine (N1), into the (N2),(N3) & (N4), then tighten 5 pcs (A) as shown.

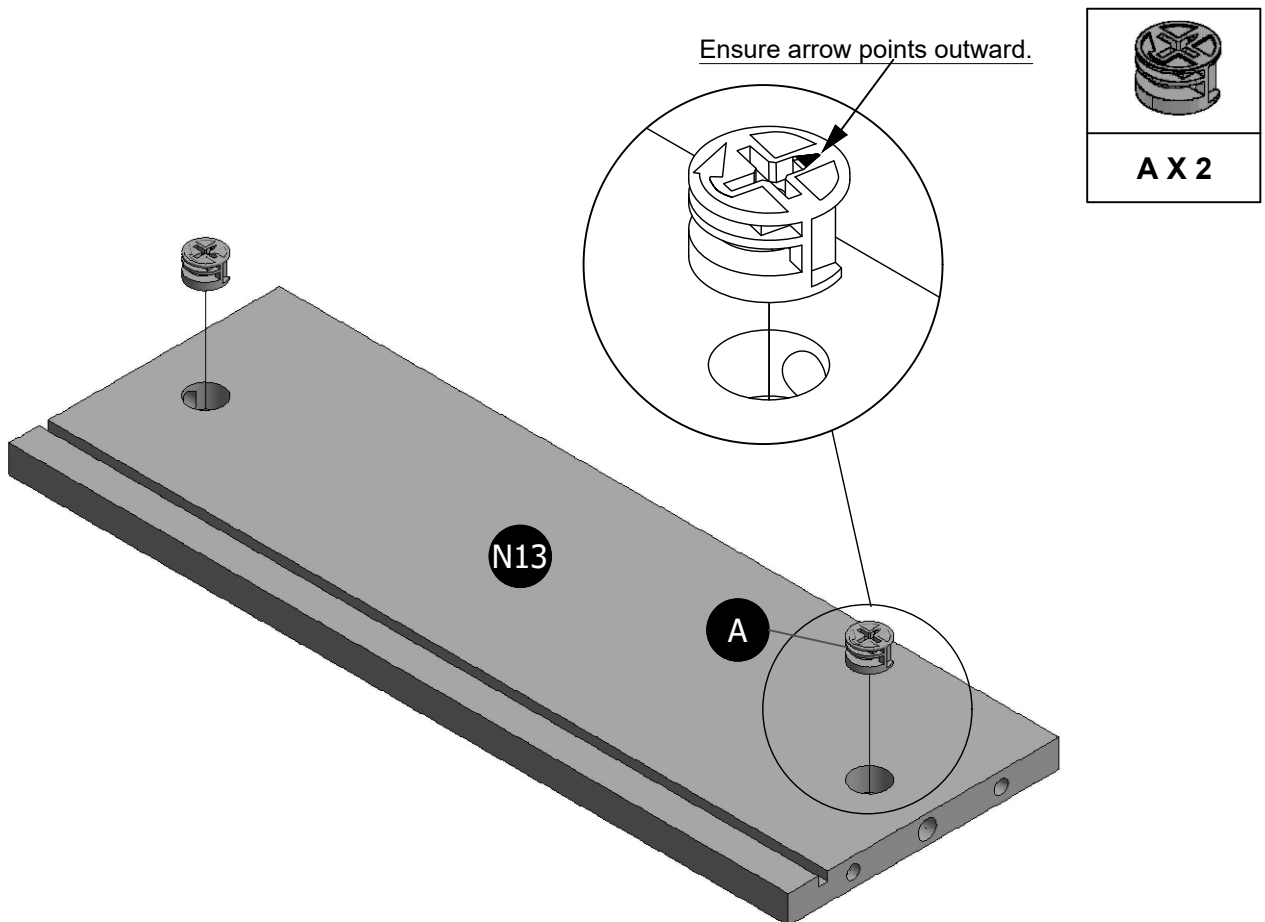


80277 NS ASSEMBLY INSTRUCTION

STEP 15

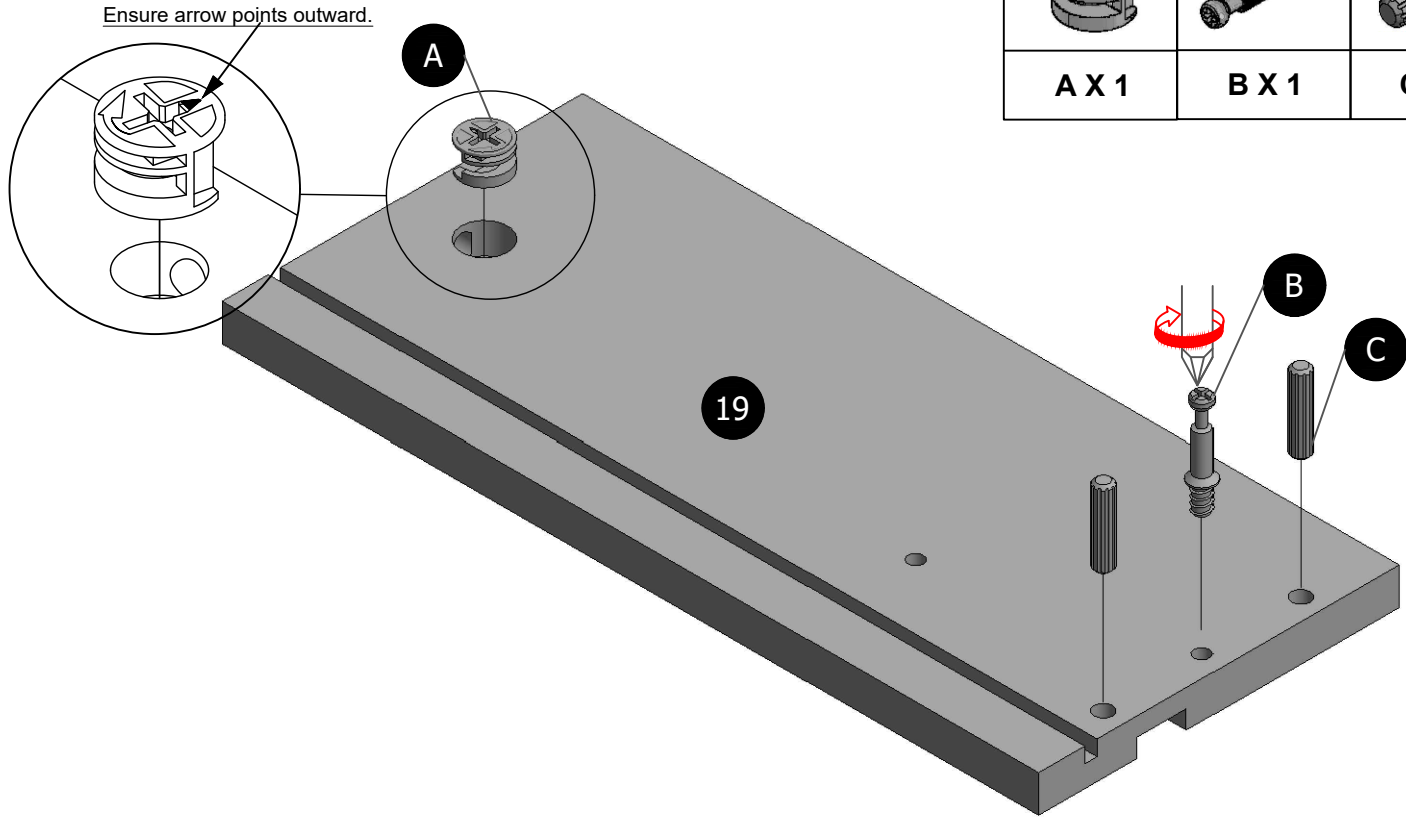


STEP 16

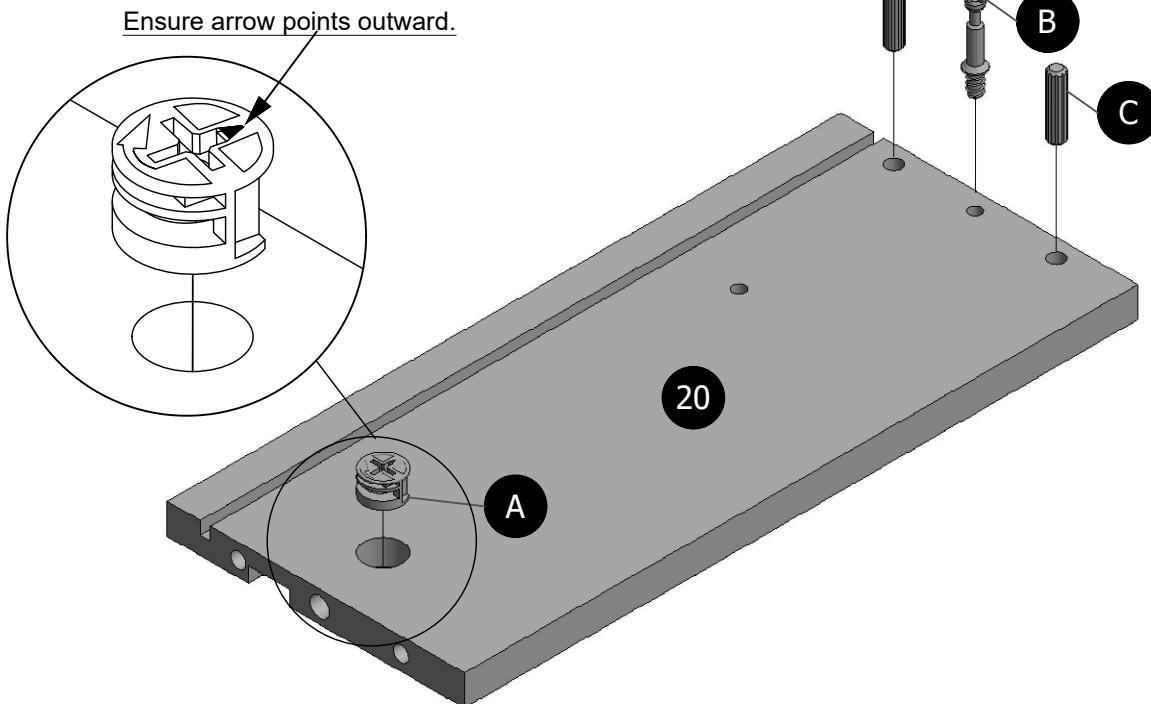


80277 NS ASSEMBLY INSTRUCTION

STEP 17



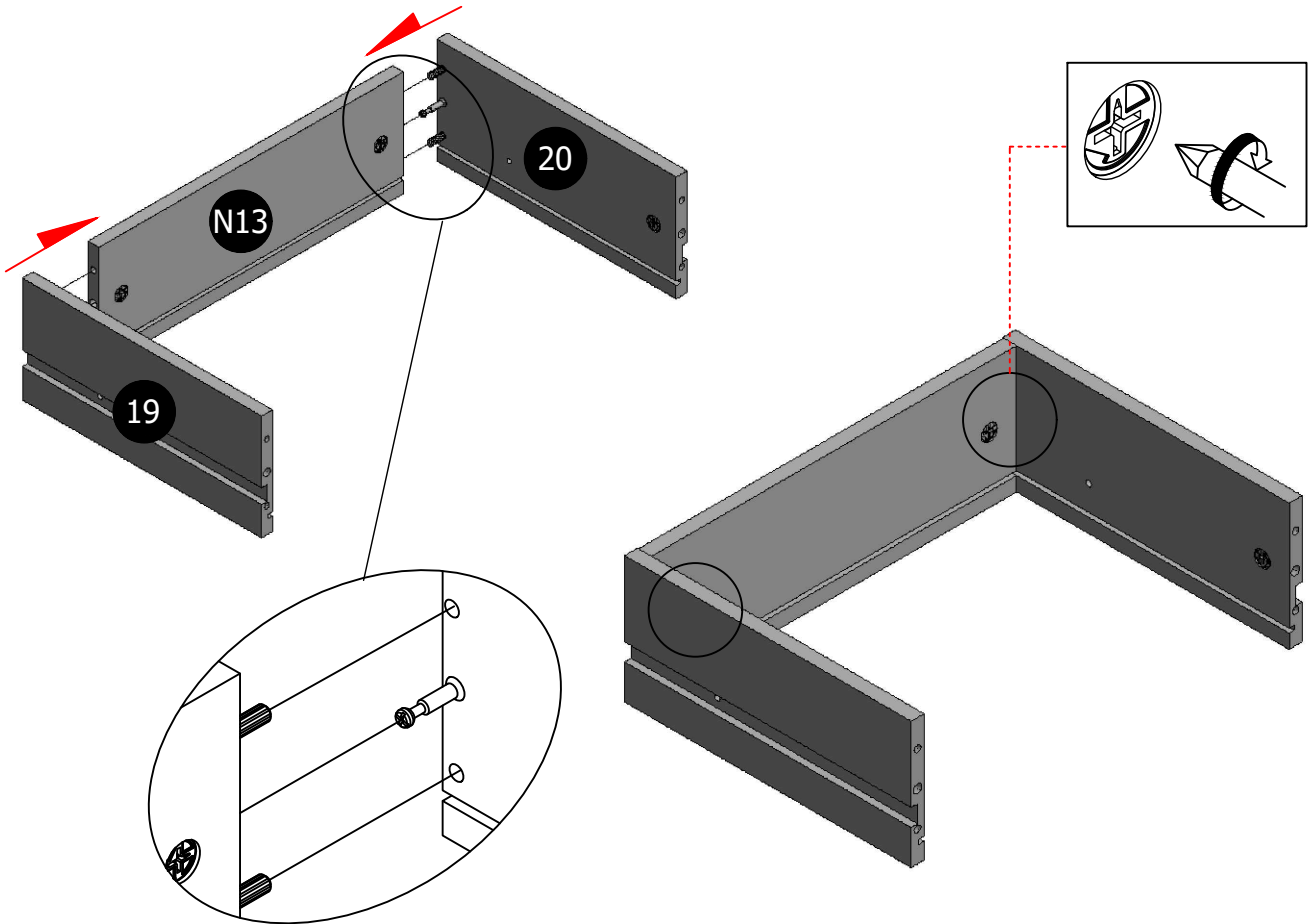
STEP 18



80277 NS ASSEMBLY INSTRUCTION

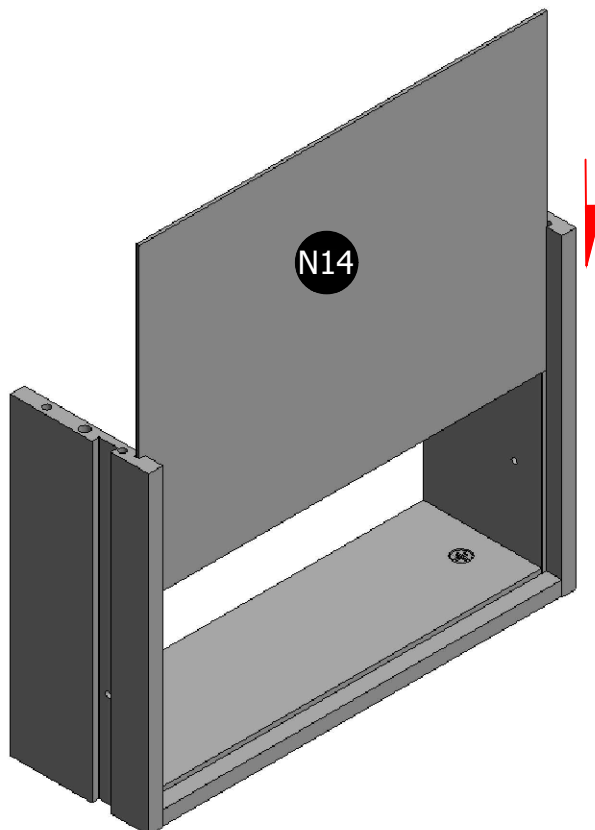
STEP 19

Combine (19) &(20) into the (N13), then tighten 2 pcs (A) as shown.



STEP 20

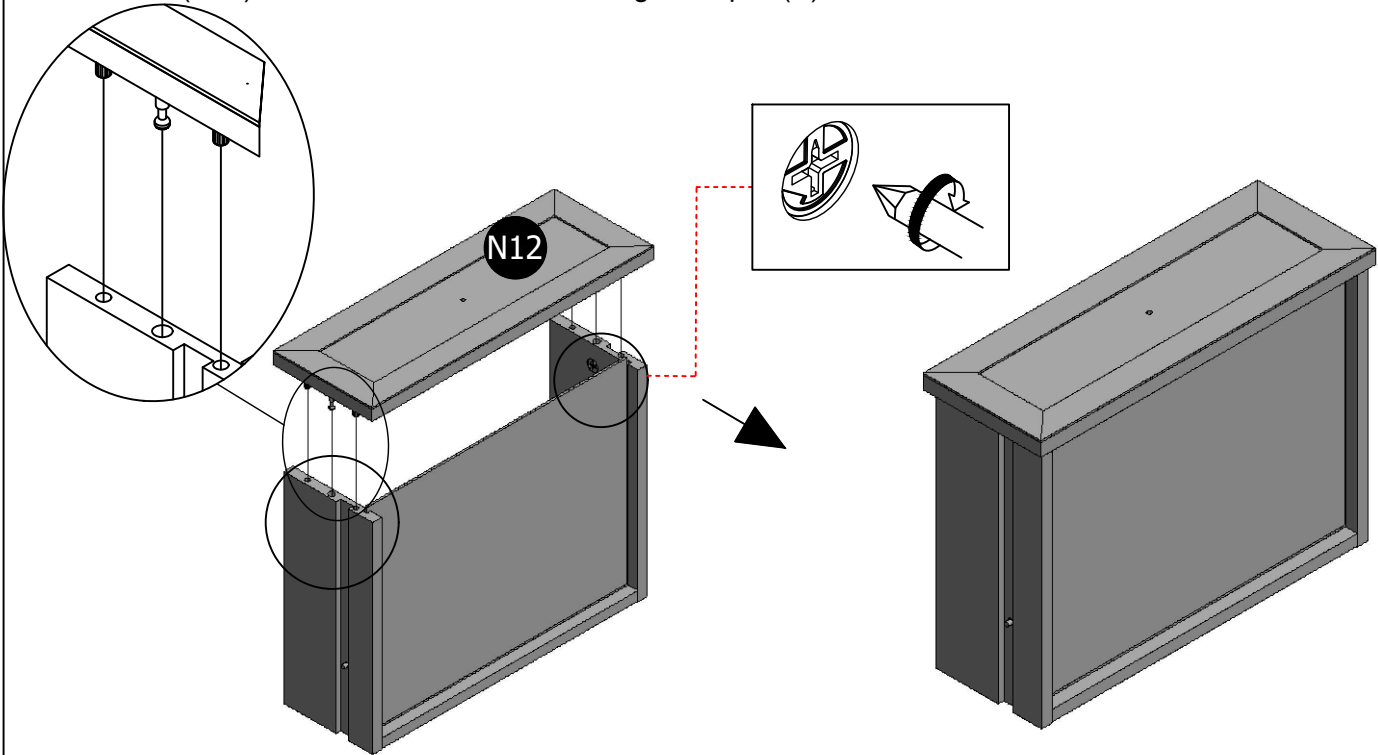
Insert (N14) into the drawer groove as shown.



80277 NS ASSEMBLY INSTRUCTION

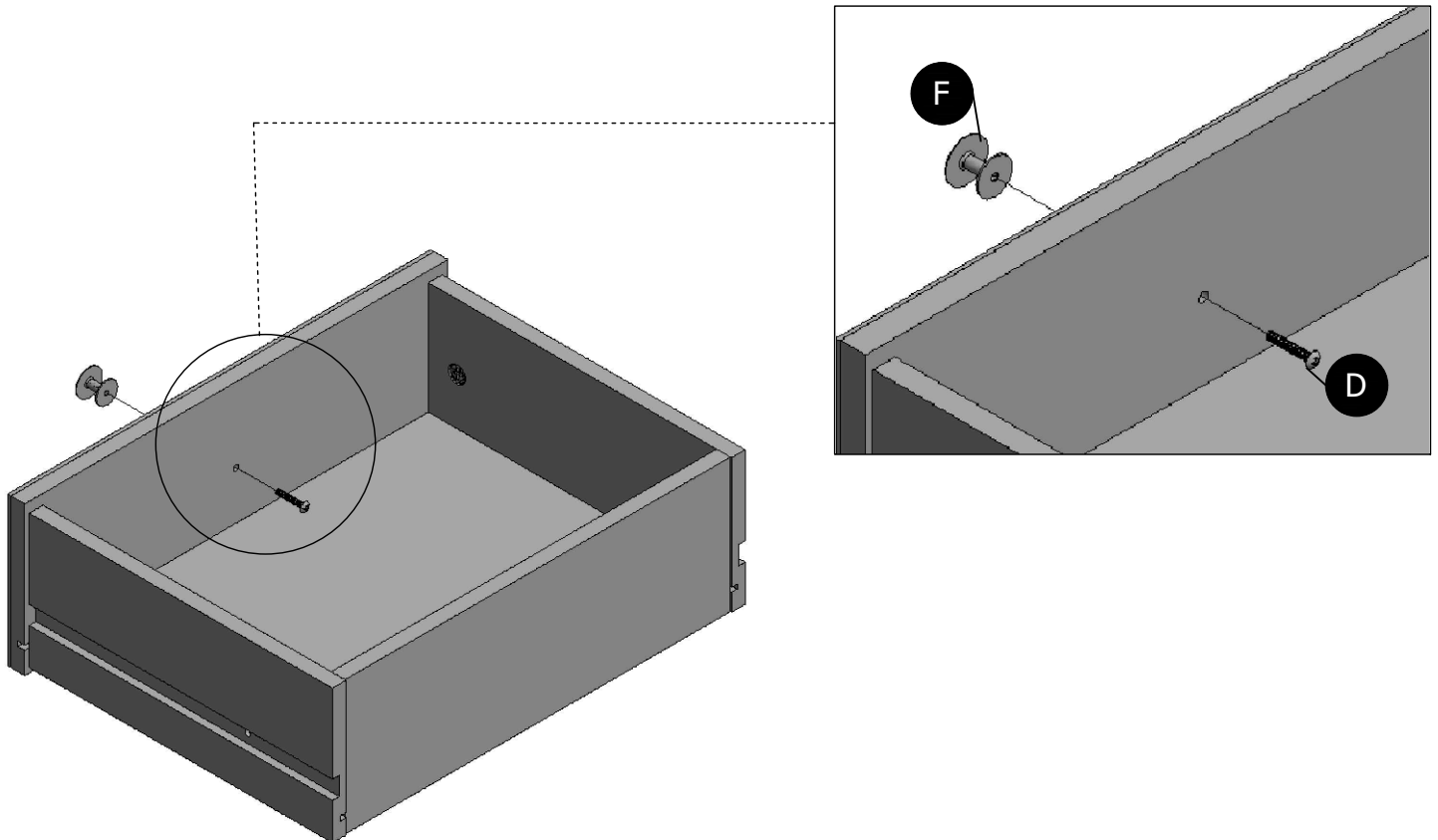
STEP 21

Combine the (N12) onto the drawer frame, then tighten 2pcs (A) as shown



STEP 22

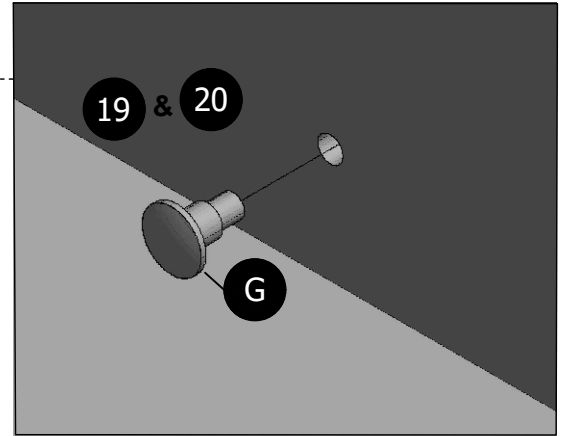
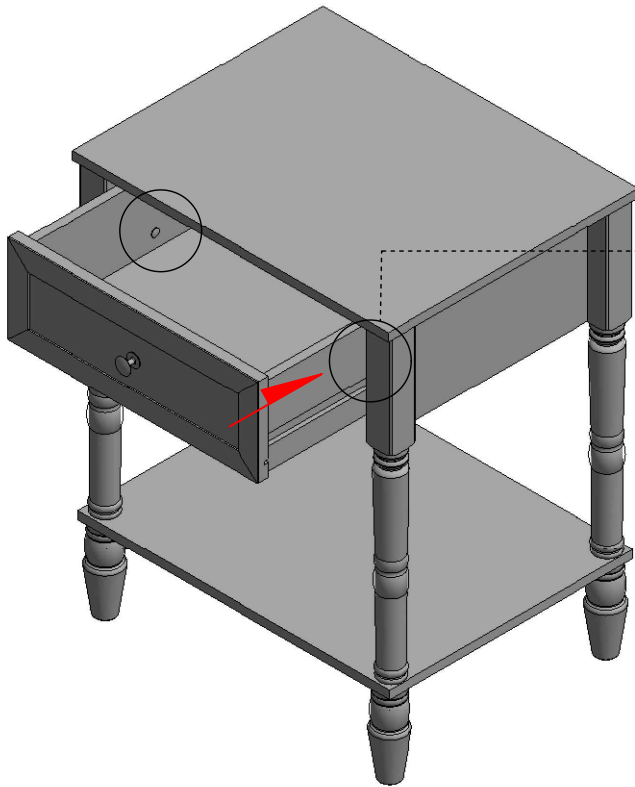
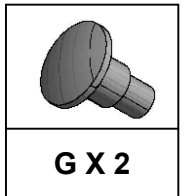
Secure (F) to the drawer head using 1pc (D) as shown.



80277 NS ASSEMBLY INSTRUCTION

STEP 23

Align the position then push the 1pc drawer to inside exactly by your hand.
Then insert 2pcs (G) into (19) & (20) as shown.



STEP 24



ASSEMBLY COMPLETED