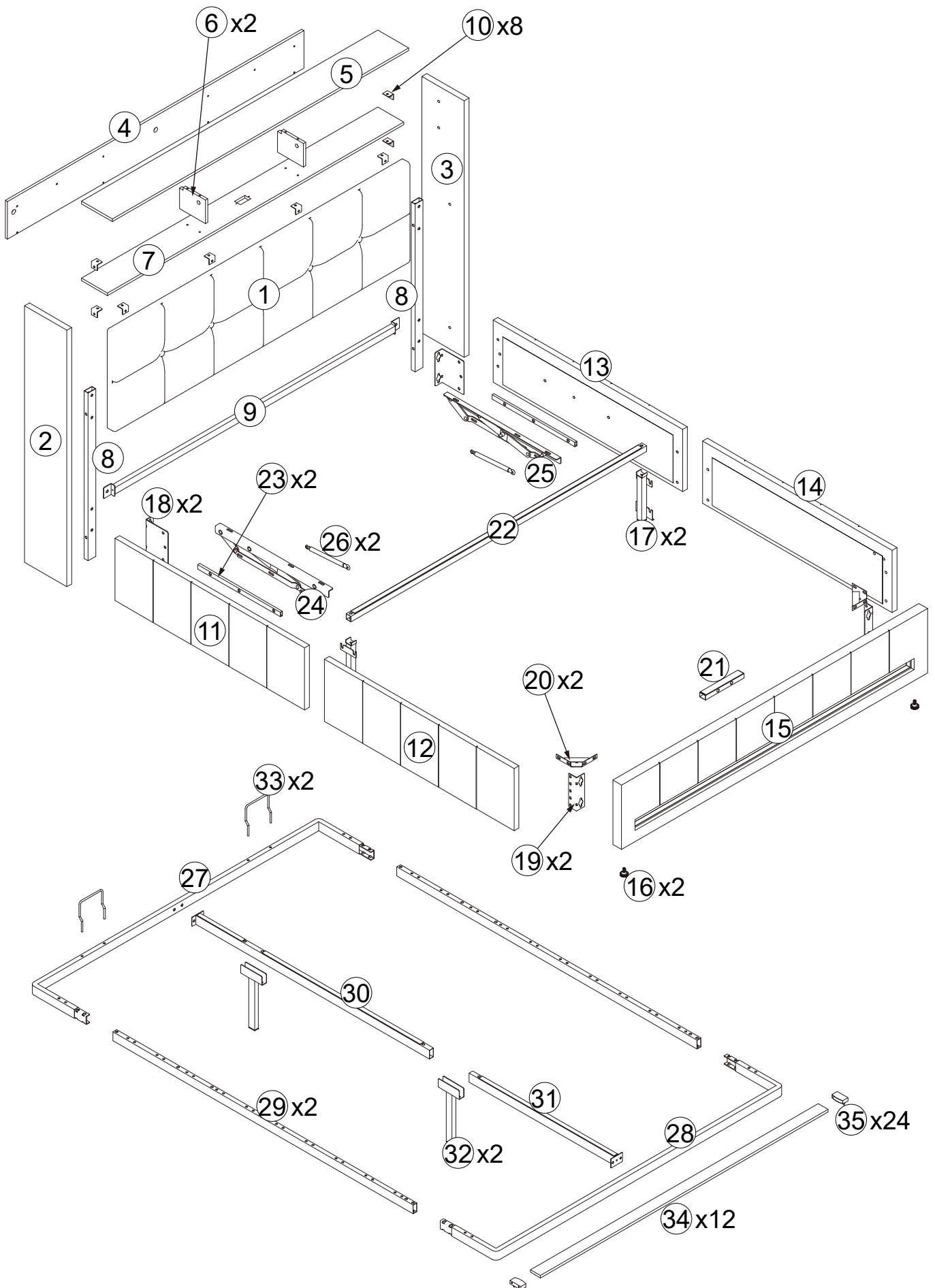


✉ HJ-Customer-Service@outlook.com

☎ (909)637-7665 | (909)637-7593

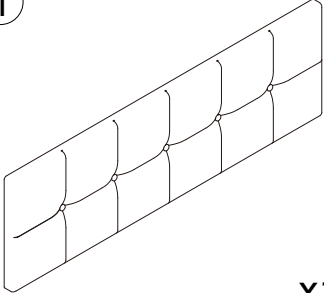

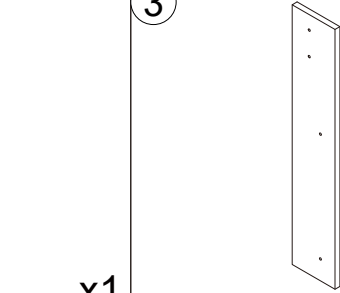
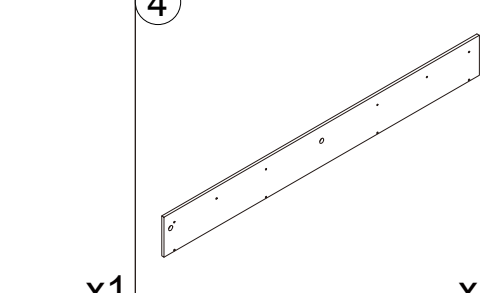
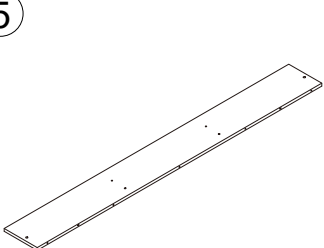
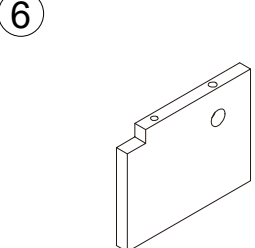
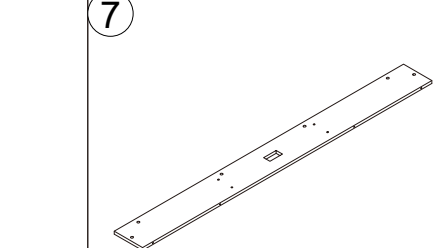
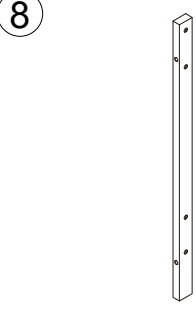
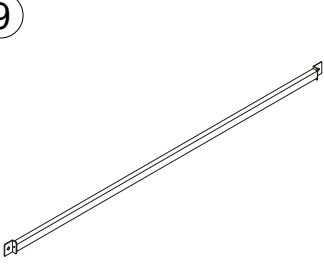
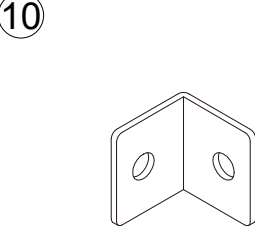
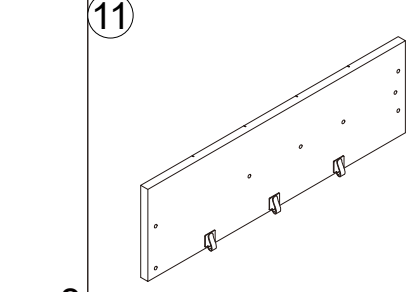
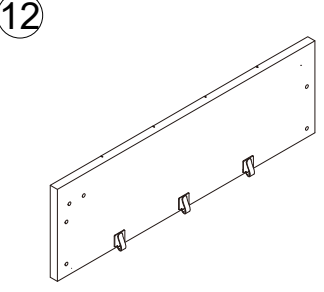
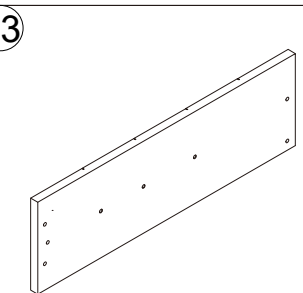
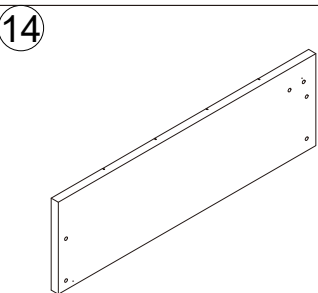
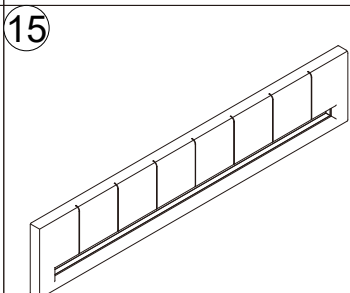
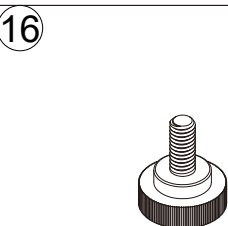
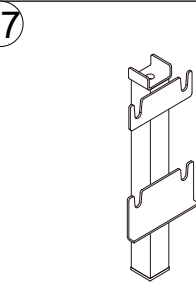
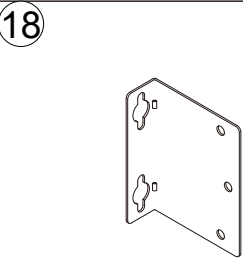
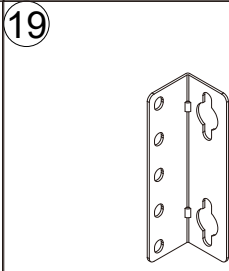
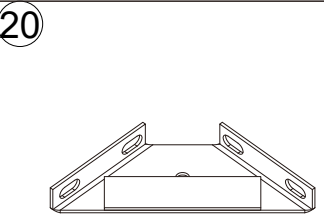
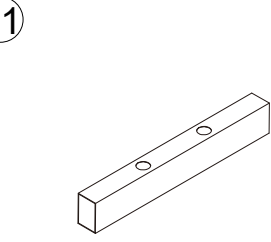
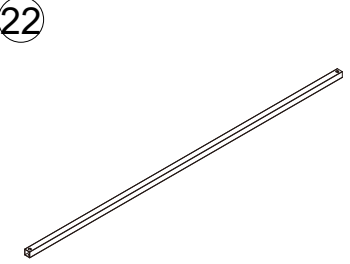
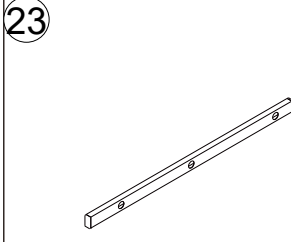
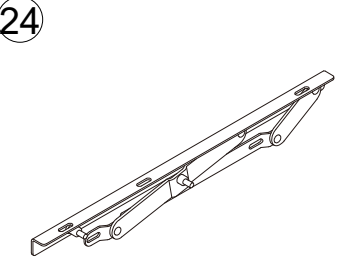
EST 9:00AM--17:00PM





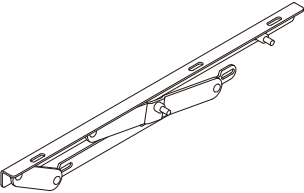
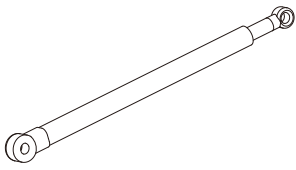
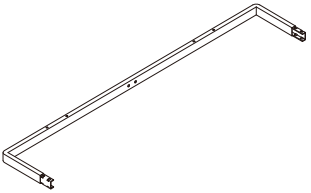
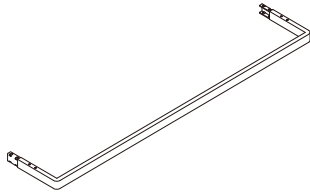
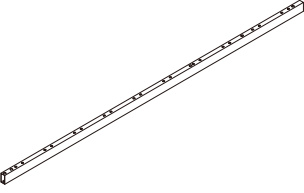
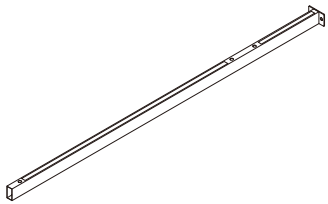
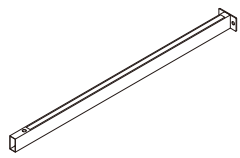
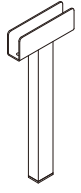
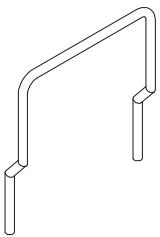
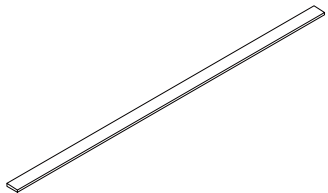
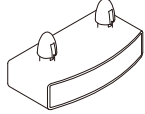
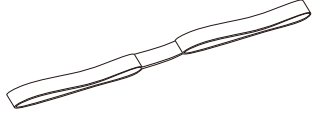
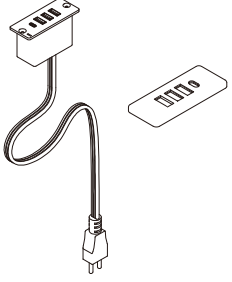
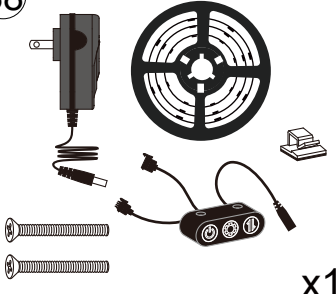
PARTS LIST

P.3

| | | | |
|--|---|--|---|
|  <p>1</p> <p>x1</p> |  <p>2</p> <p>x1</p> |  <p>3</p> <p>x1</p> |  <p>4</p> <p>x1</p> |
|  <p>5</p> <p>x1</p> |  <p>6</p> <p>x2</p> |  <p>7</p> <p>x1</p> |  <p>8</p> <p>x2</p> |
|  <p>9</p> <p>x1</p> |  <p>10</p> <p>x8</p> |  <p>11</p> <p>x1</p> |  <p>12</p> <p>x1</p> |
|  <p>13</p> <p>x1</p> |  <p>14</p> <p>x1</p> |  <p>15</p> <p>x1</p> |  <p>16</p> <p>x2</p> |
|  <p>17</p> <p>x2</p> |  <p>18</p> <p>x2</p> |  <p>19</p> <p>x2</p> |  <p>20</p> <p>x2</p> |
|  <p>21</p> <p>x1</p> |  <p>22</p> <p>x1</p> |  <p>23</p> <p>x2</p> |  <p>24</p> <p>x1</p> |

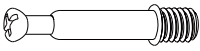
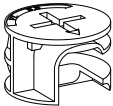




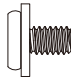
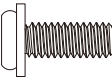
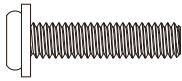
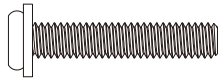
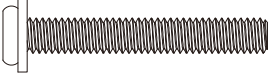
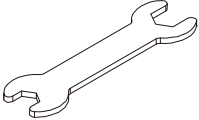


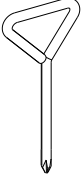

HARDWARE LIST

P.4

| | | | |
|---|---|--|--|
| <p>25</p>  <p>x1</p> | <p>26</p>  <p>x2</p> | <p>27</p>  <p>x1</p> | <p>28</p>  <p>x1</p> |
| <p>29</p>  <p>x2</p> | <p>30</p>  <p>x1</p> | <p>31</p>  <p>x1</p> | <p>32</p>  <p>x2</p> |
| <p>33</p>  <p>x2</p> | <p>34</p>  <p>x12</p> | <p>35</p>  <p>x24</p> | <p>36</p>  <p>x1</p> |
| <p>37</p>  <p>x1</p> | <p>38</p>  <p>x1</p> | | |

HARDWARE LIST

P.5

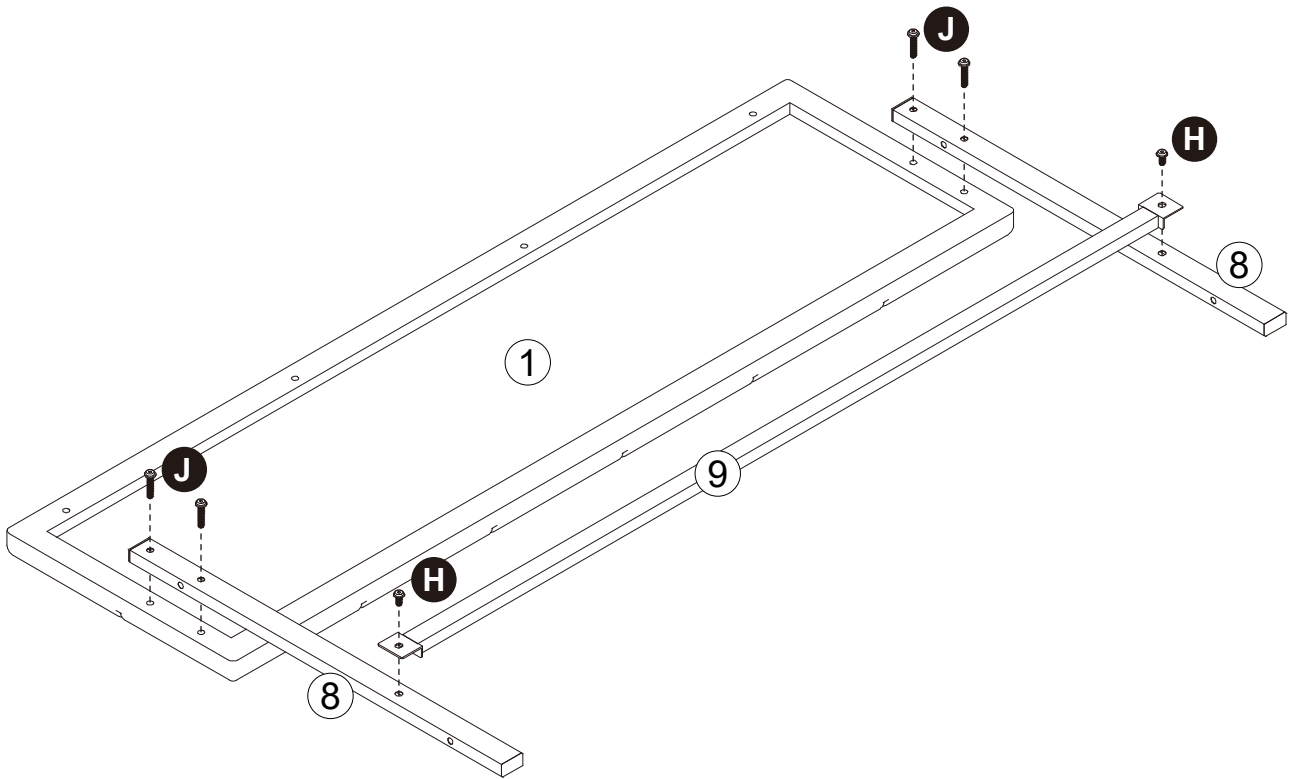
| | | | | |
|---|---|--|---|---|
| <p>A Ø6 x 35mm</p>  <p>x2+1</p> | <p>B Ø15 x 10mm</p>  <p>x2+1</p> | <p>C M5 x 35mm</p>  <p>x12+2</p> | <p>D Ø6 x 30mm</p>  <p>x4+1</p> | <p>E 5/16"</p>  <p>x14+2</p> |
| <p>F M3.5 x 10mm</p>  <p>x2+1</p> | <p>G 1/4" x 11mm</p>  <p>x12+2</p> | <p>H 5/16" x 16mm</p>  <p>x40+4</p> | <p>I 5/16" x 30mm</p>  <p>x6+1</p> | <p>J 5/16" x 40mm</p>  <p>x6+1</p> |
| <p>K 5/16" x 55mm</p>  <p>x20+2</p> | <p>L 1/4" x 5/16"</p>  <p>x1</p> | <p>P M3</p>  <p>x1</p> | <p>Q M4x100mm</p>  <p>x1</p> | <p>R 100 x 30mm</p>  <p>x1</p> |
| <p>T 1/4" x 19mm</p>  <p>x6+1</p> | | | | |

Noted: Please do not tighten all bolts until assembled completely.

1

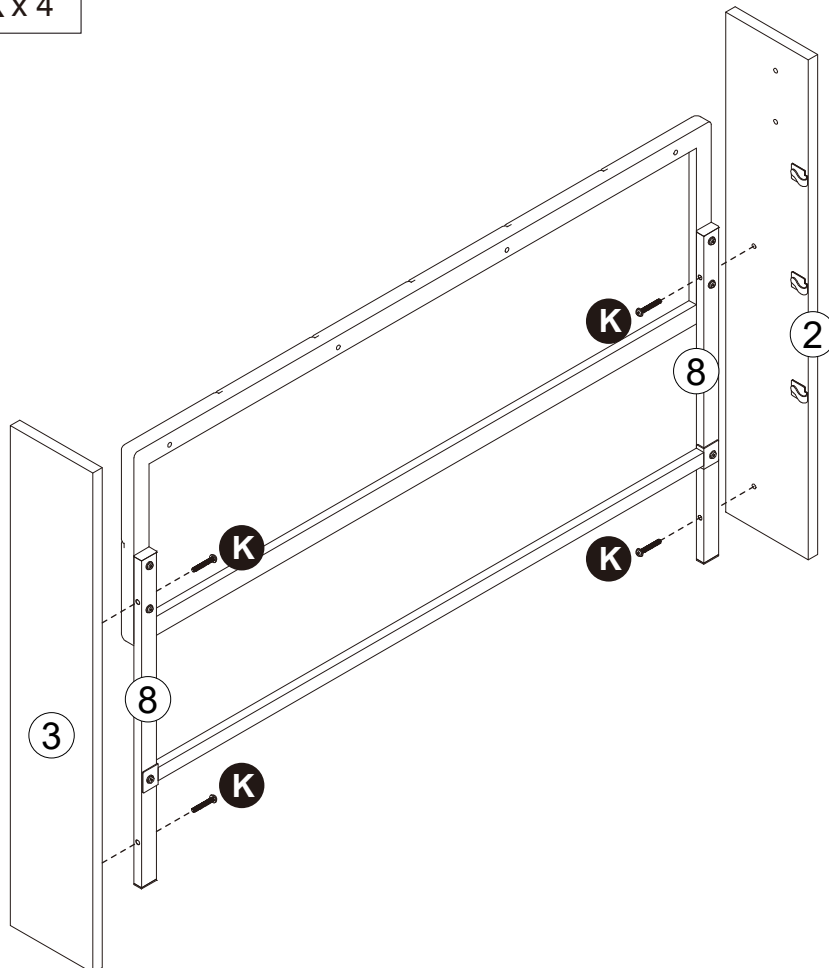
J x 4

H x 2



2

K x 4



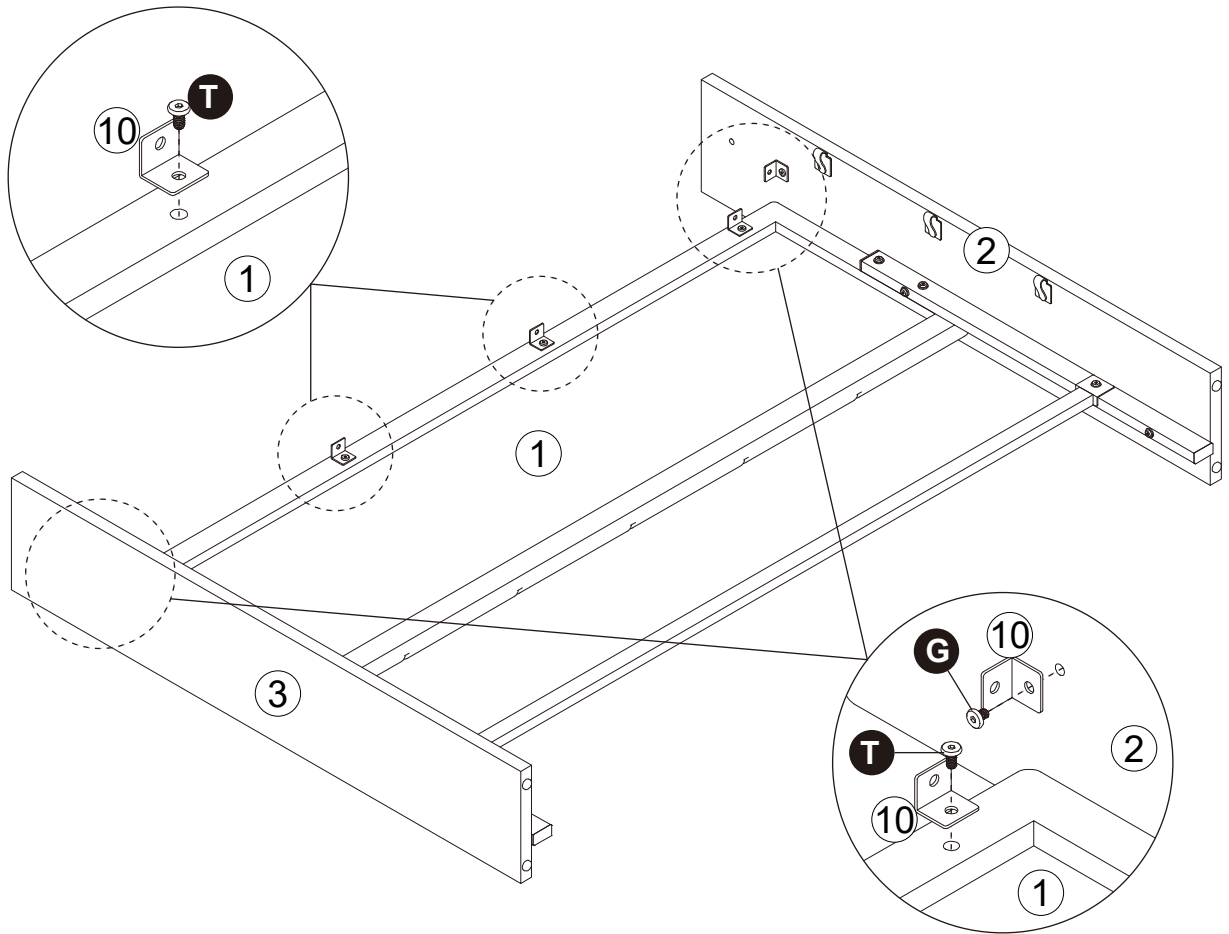
3



G x 2



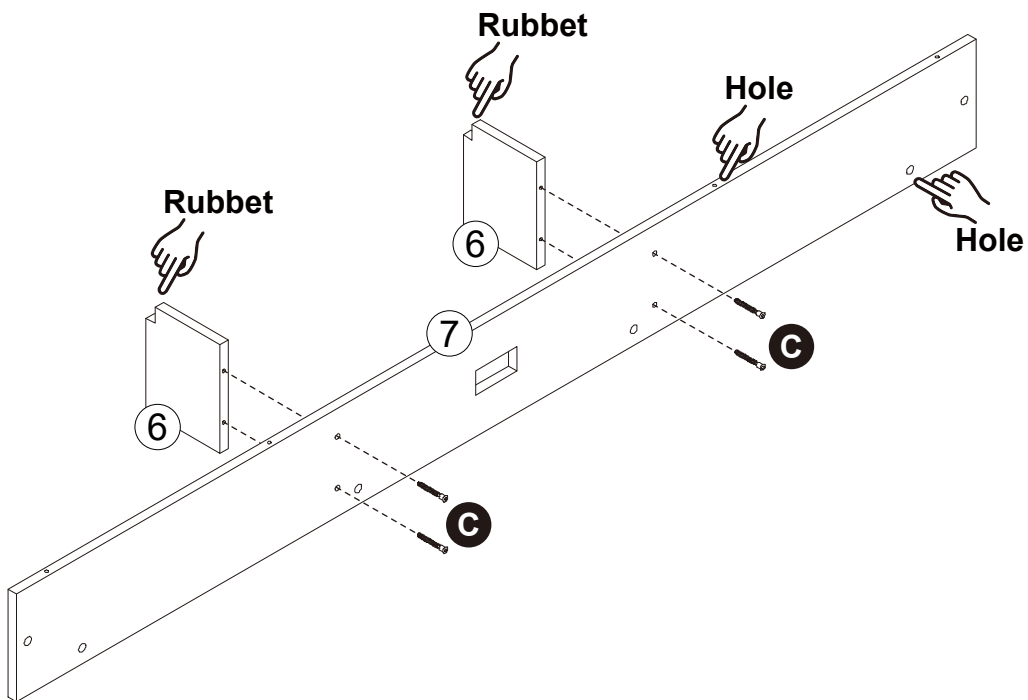
T x 4



4

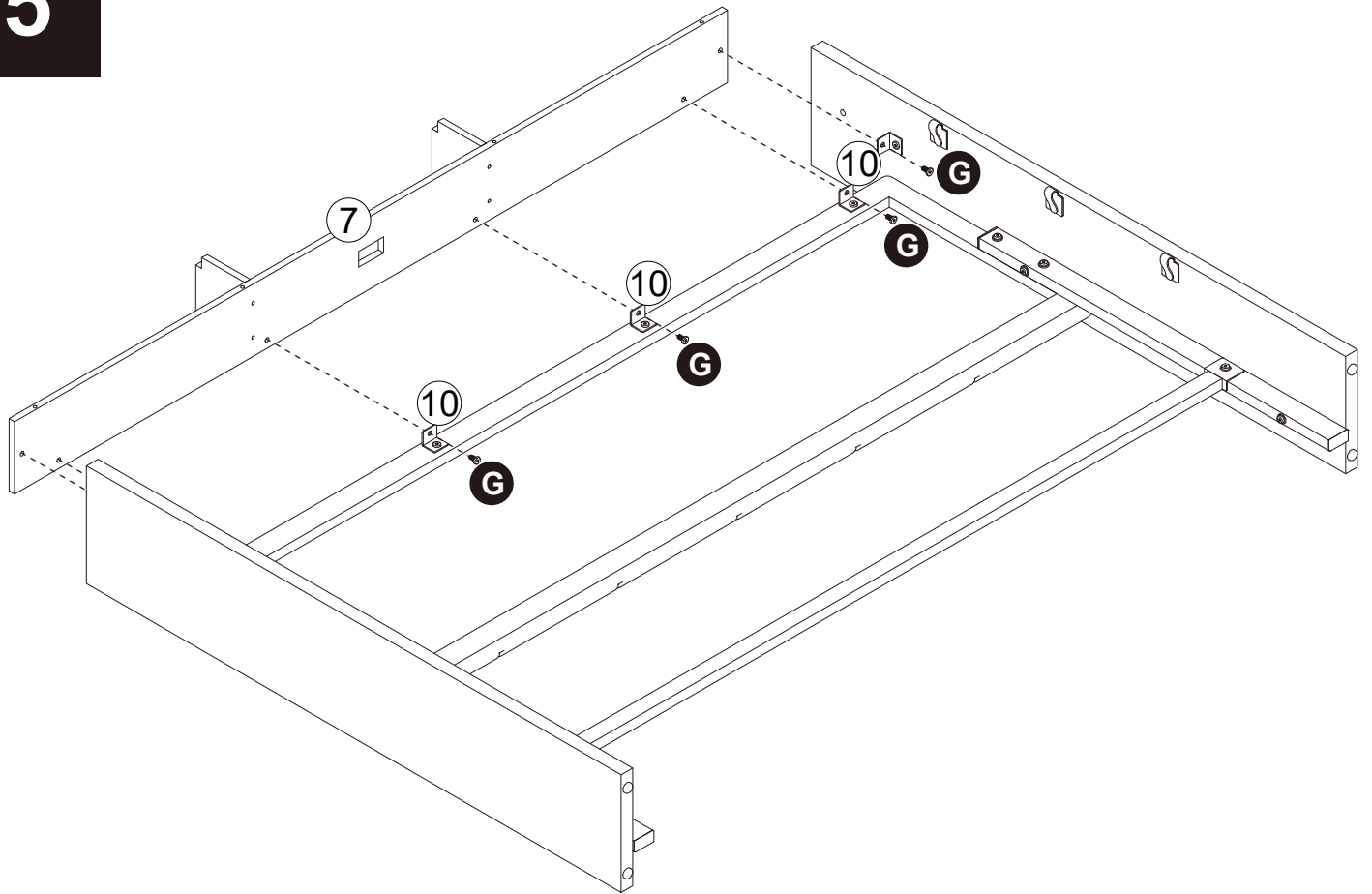


C x 4



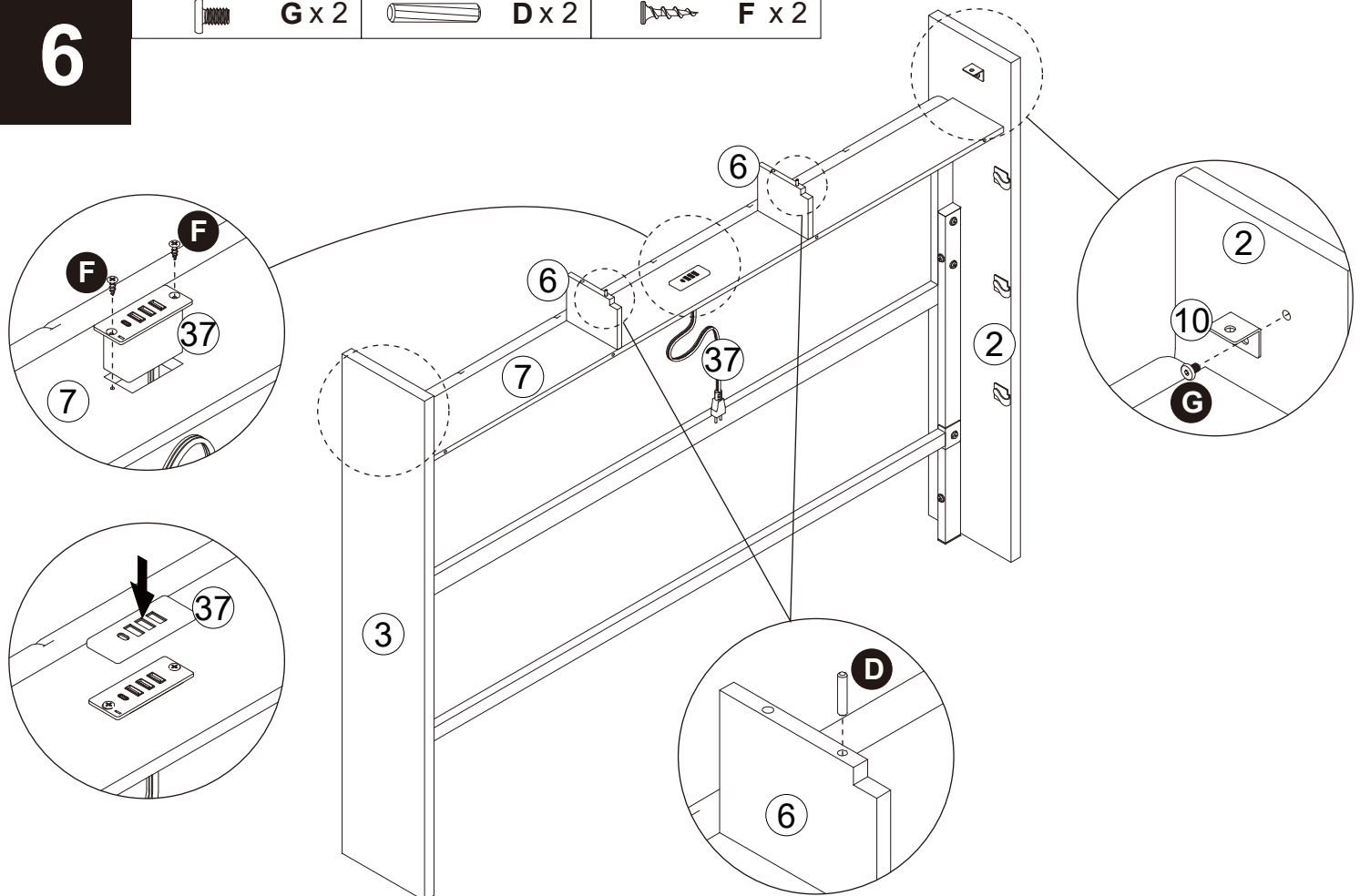
5

 G x 6



6

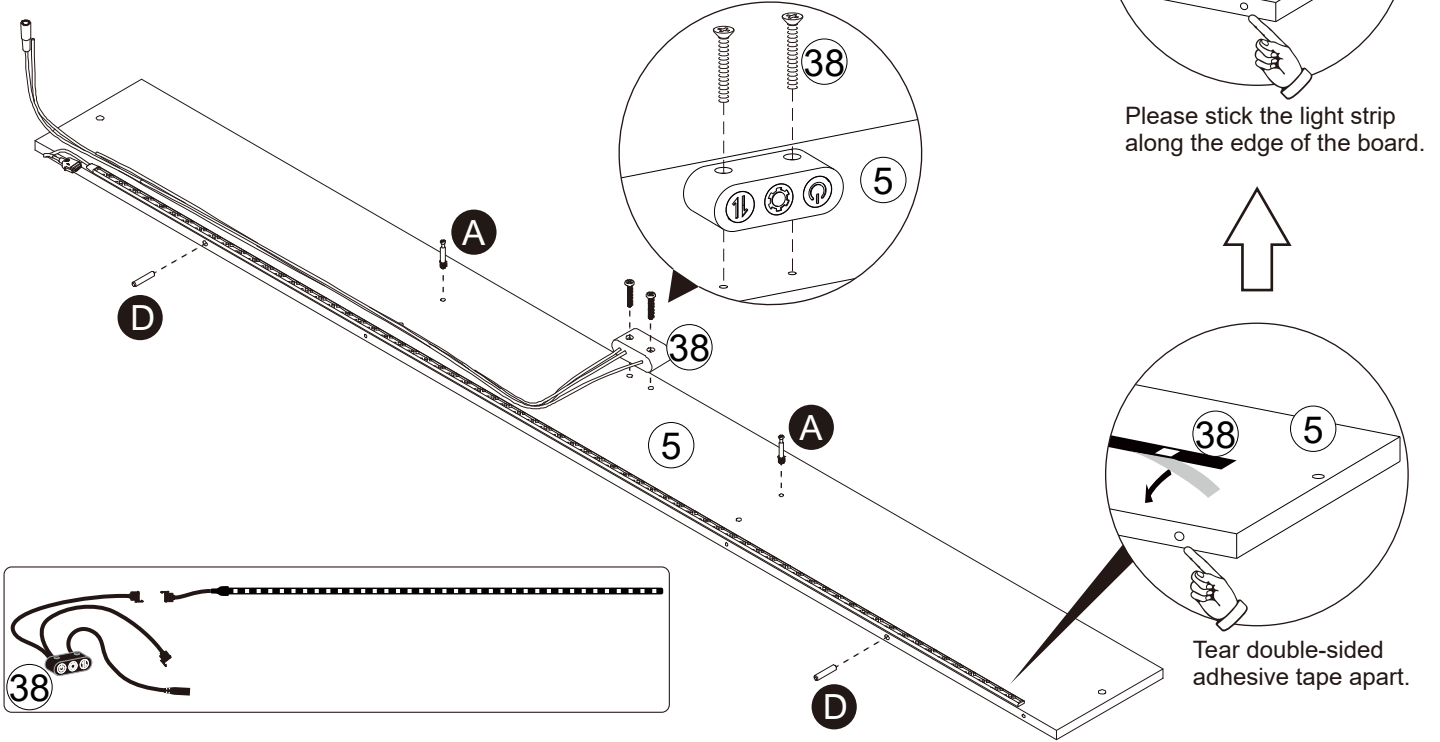
 G x 2  D x 2  F x 2



7

 A x 2

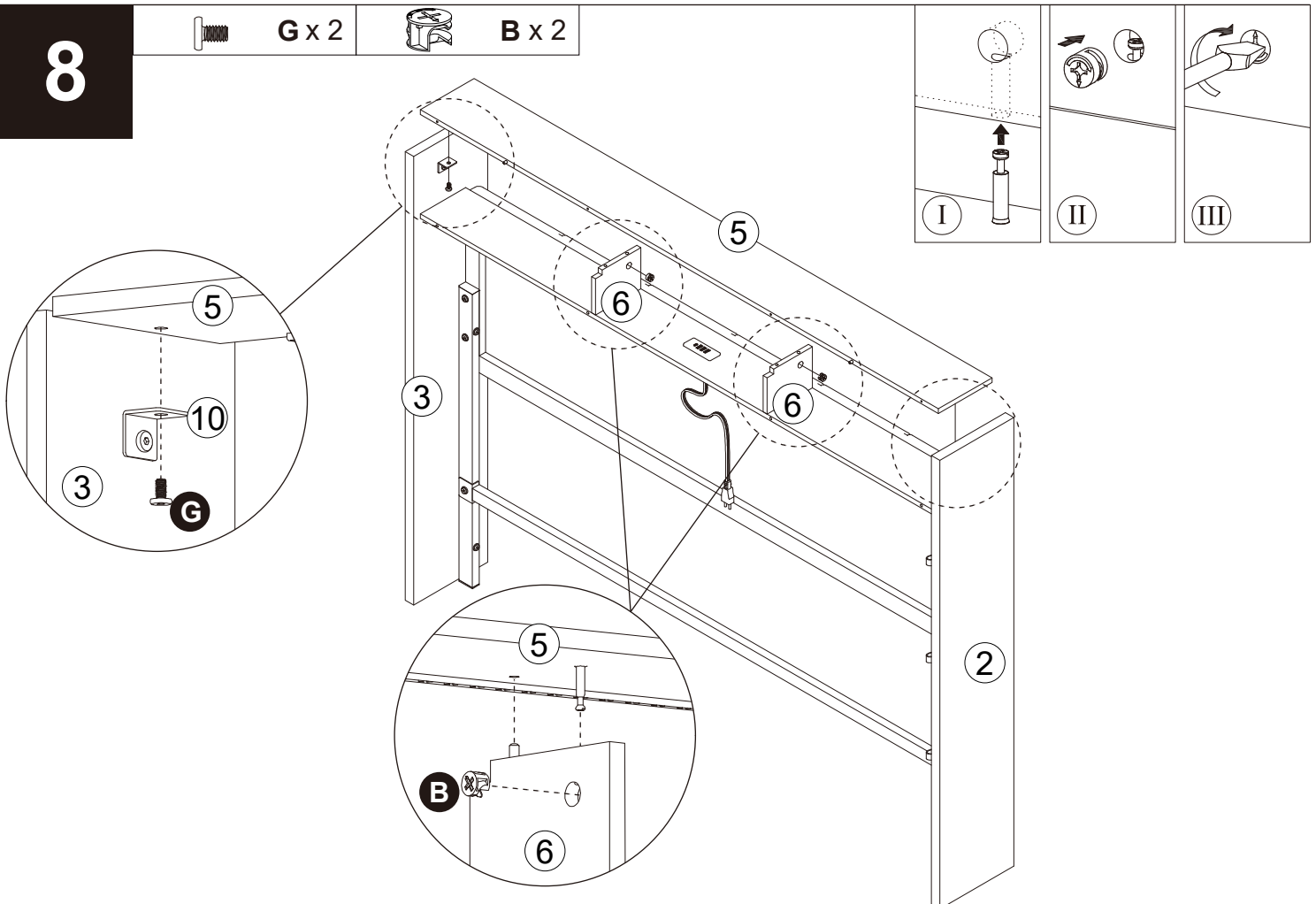
 D x 2



8

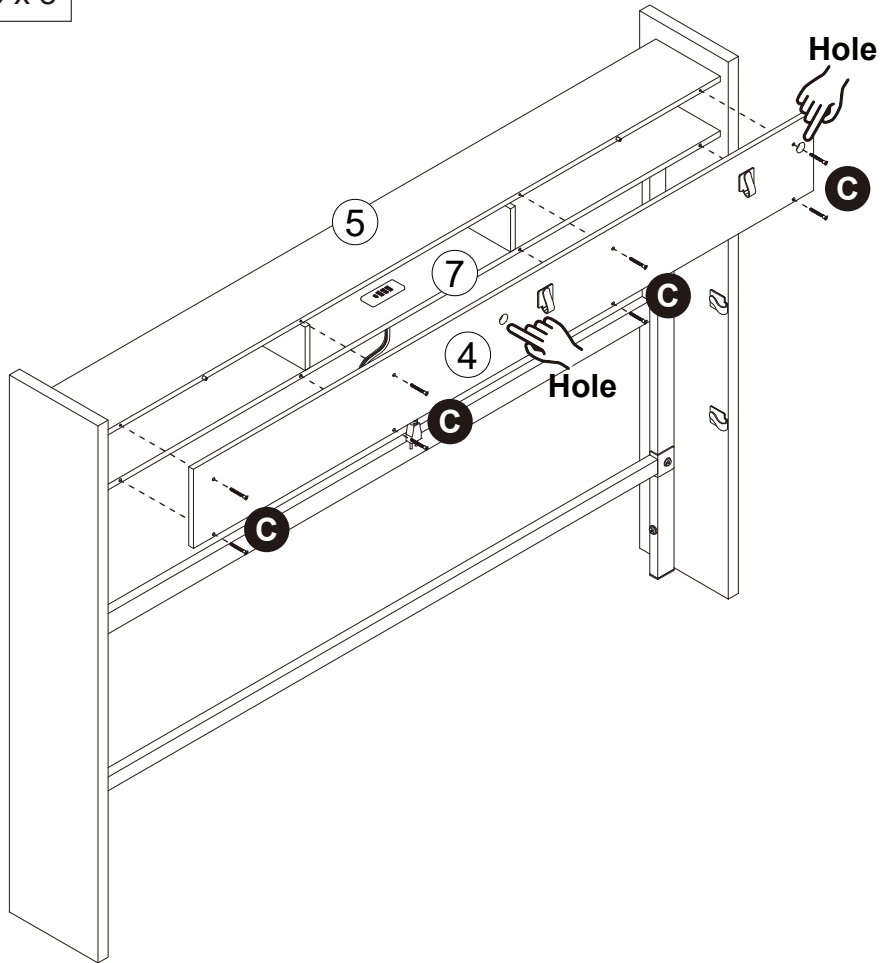
 G x 2

 B x 2



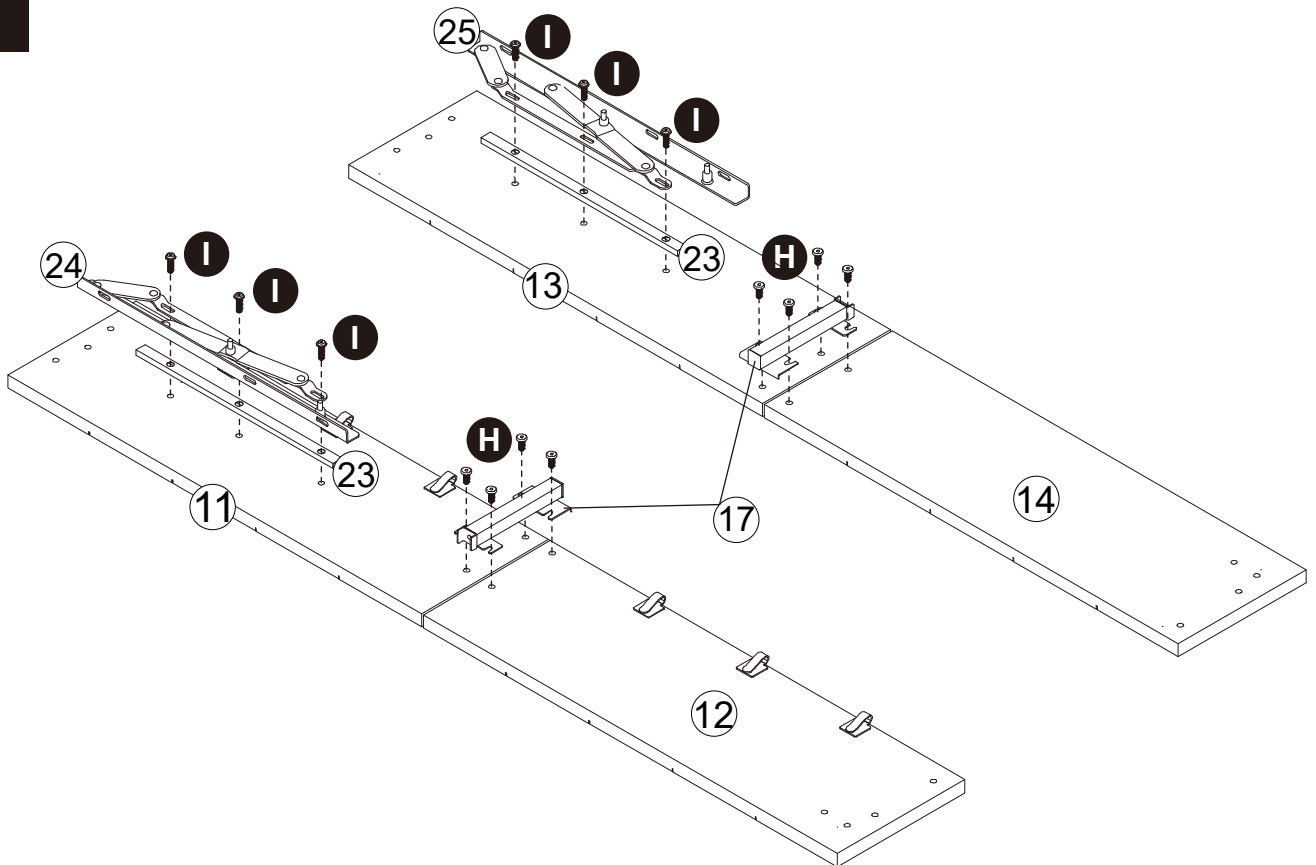
9

 C x 8



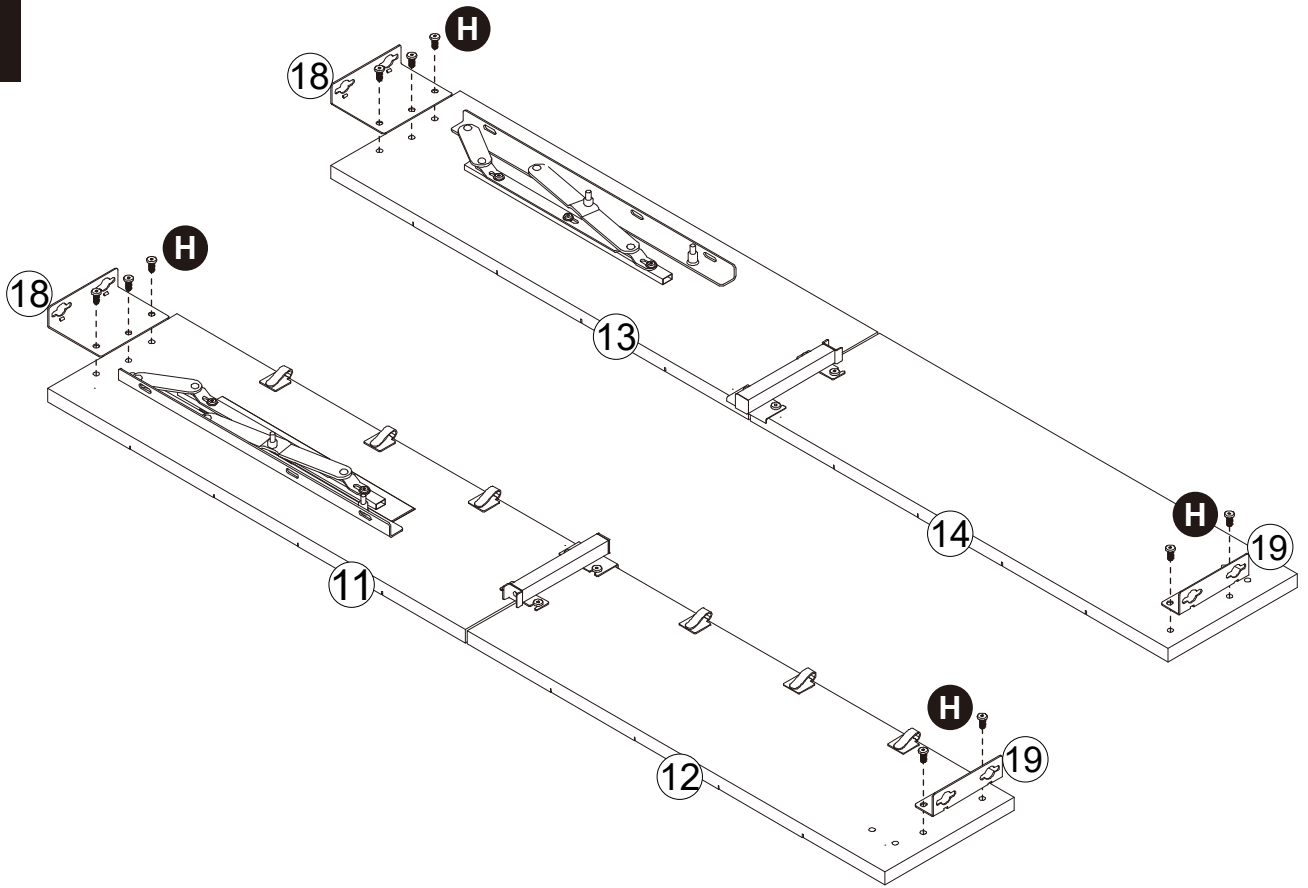
10

 H x 8  I x 6

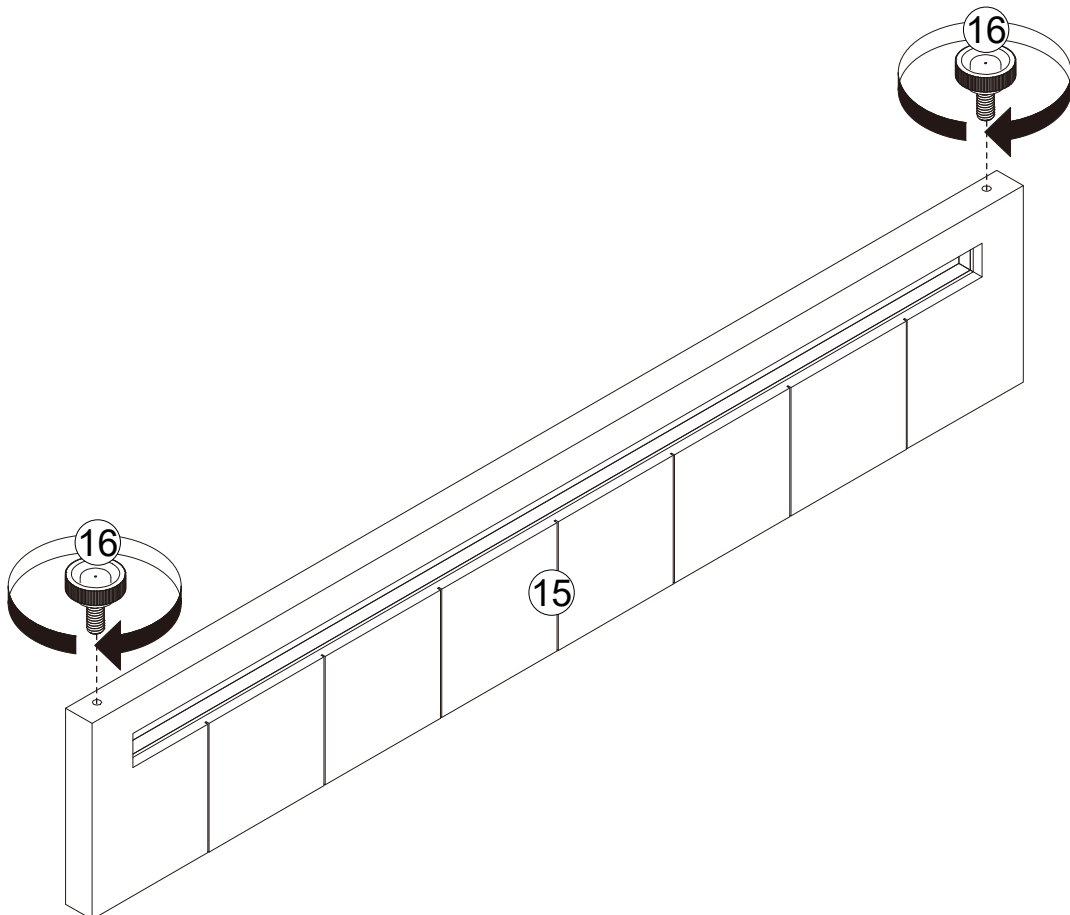


11

H x10

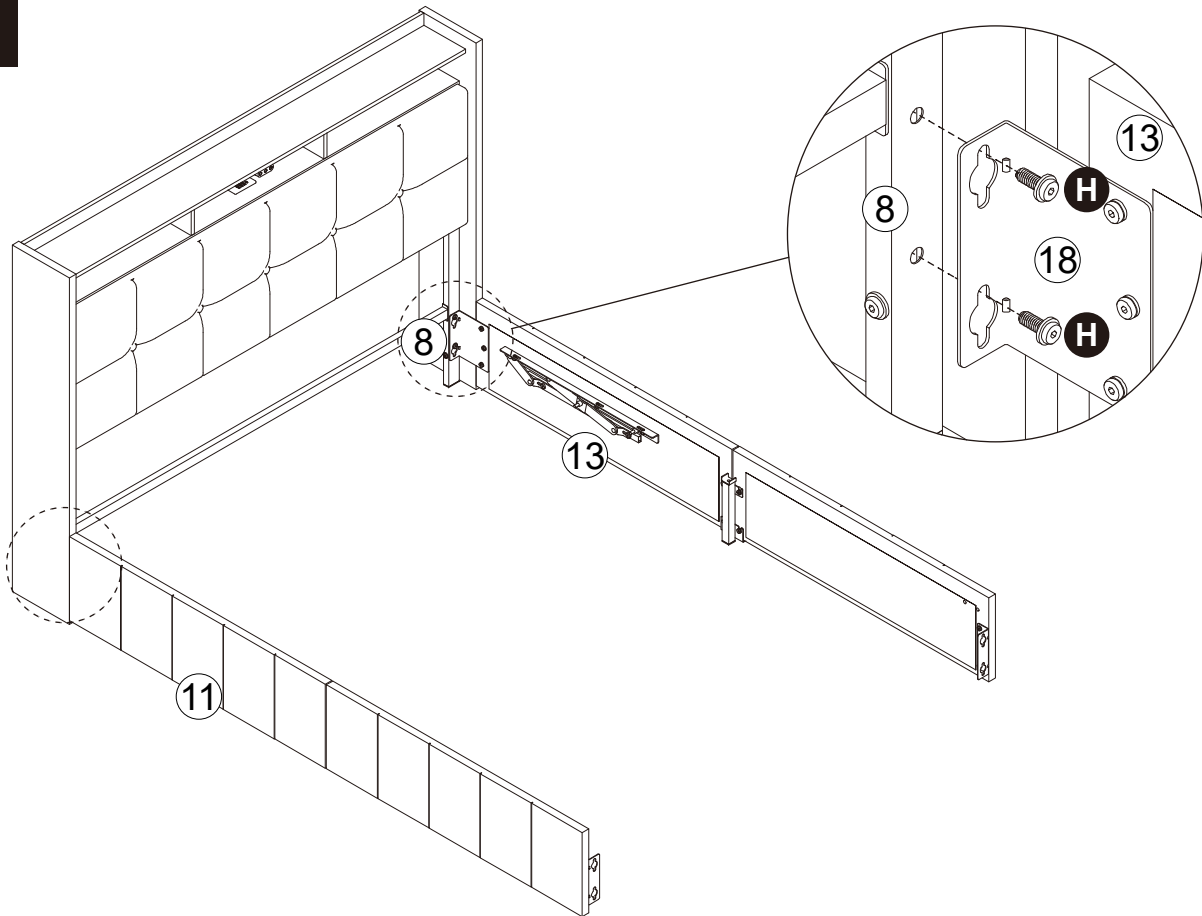


12



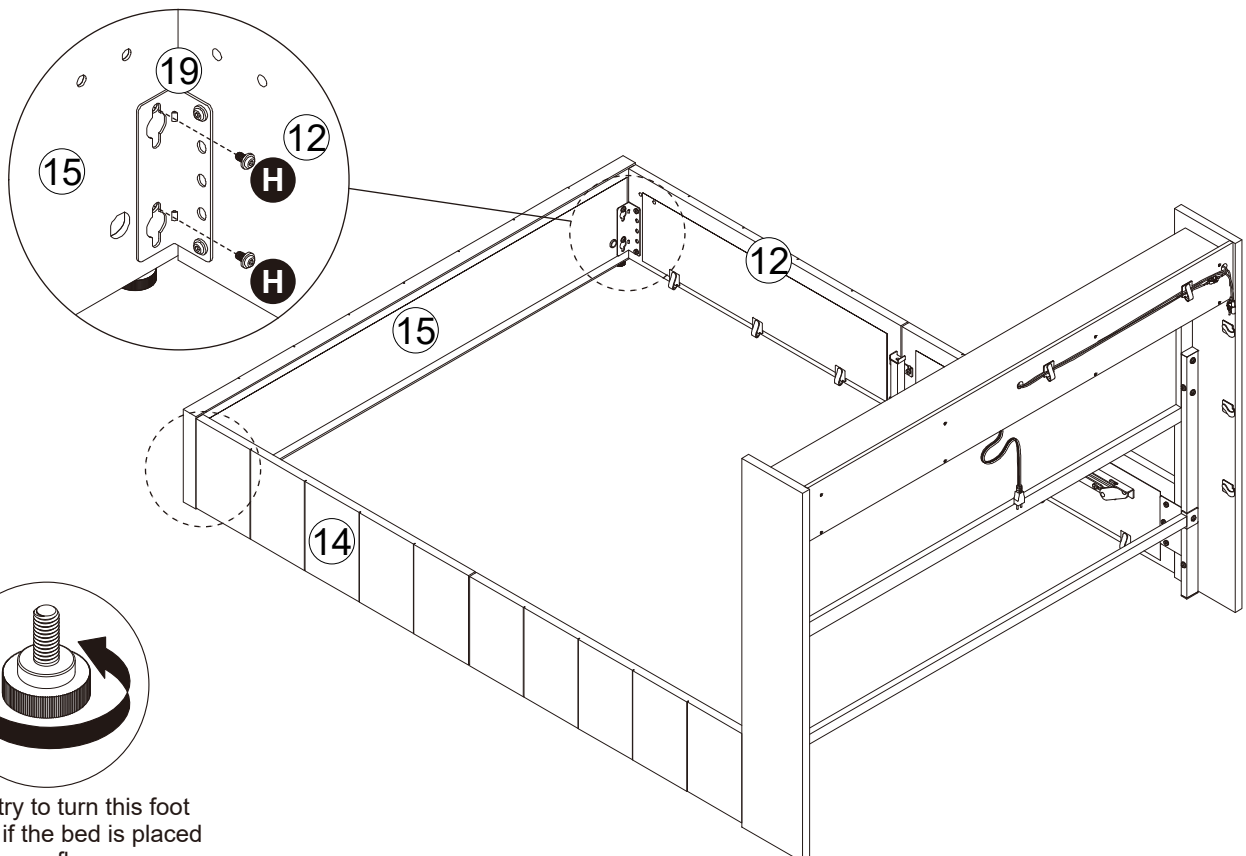
13

 H x 4



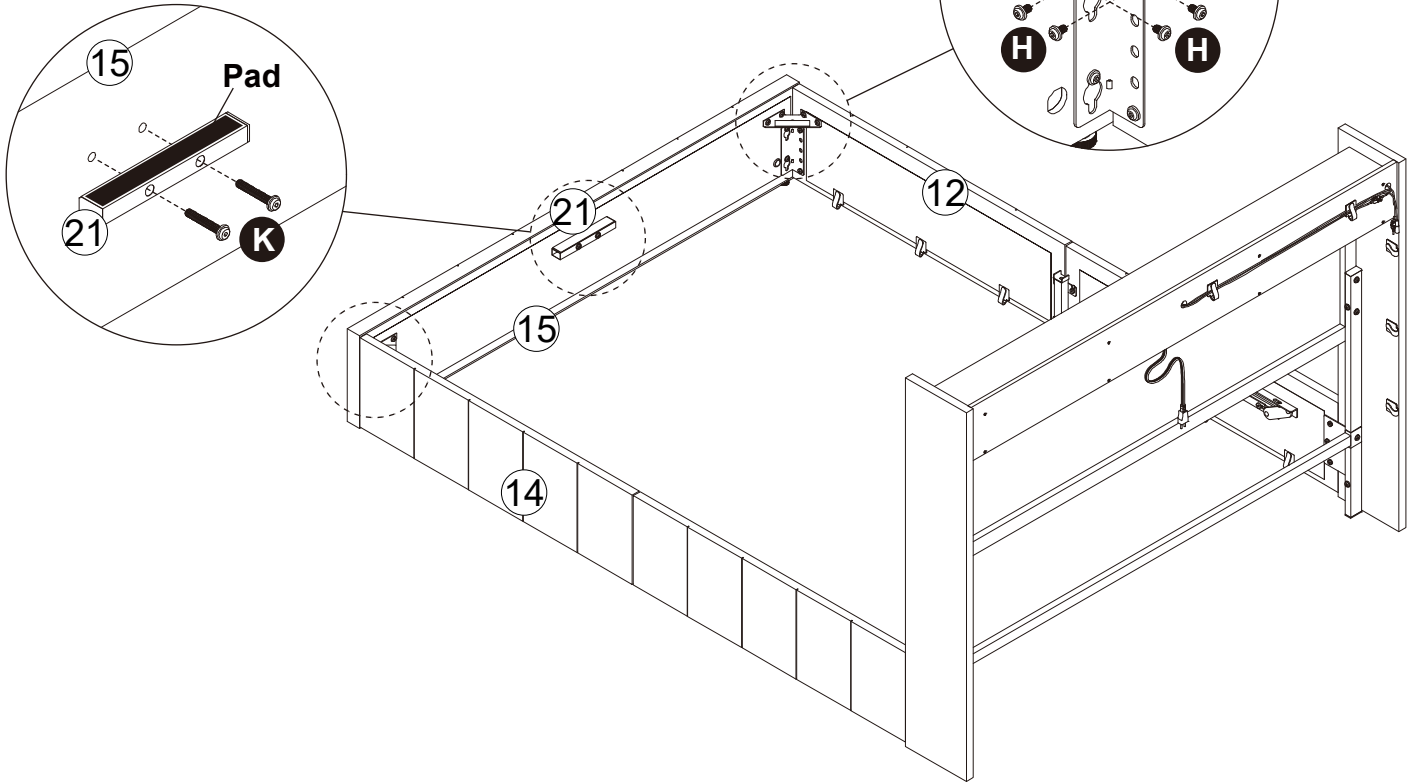
14

 H x 4

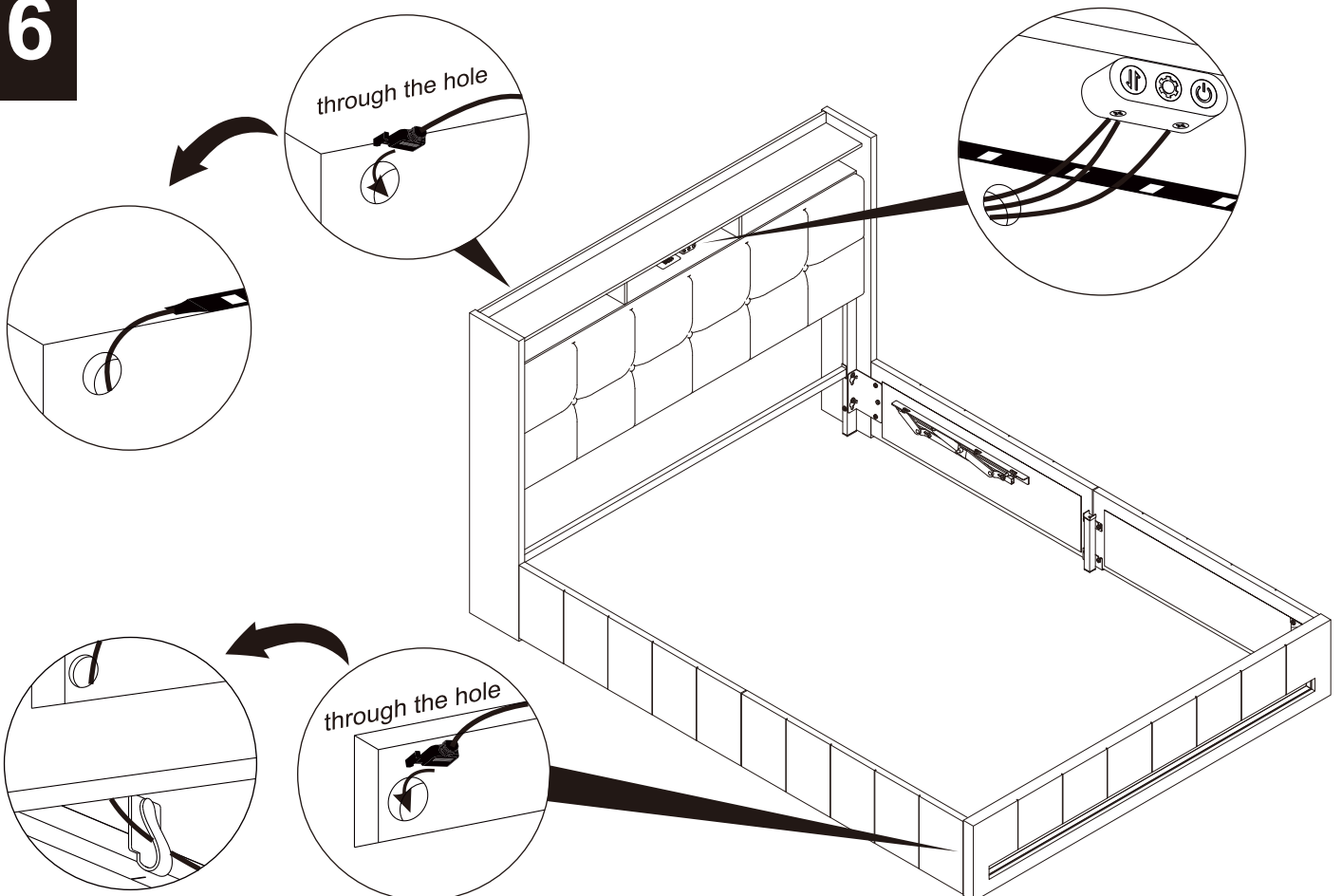


15

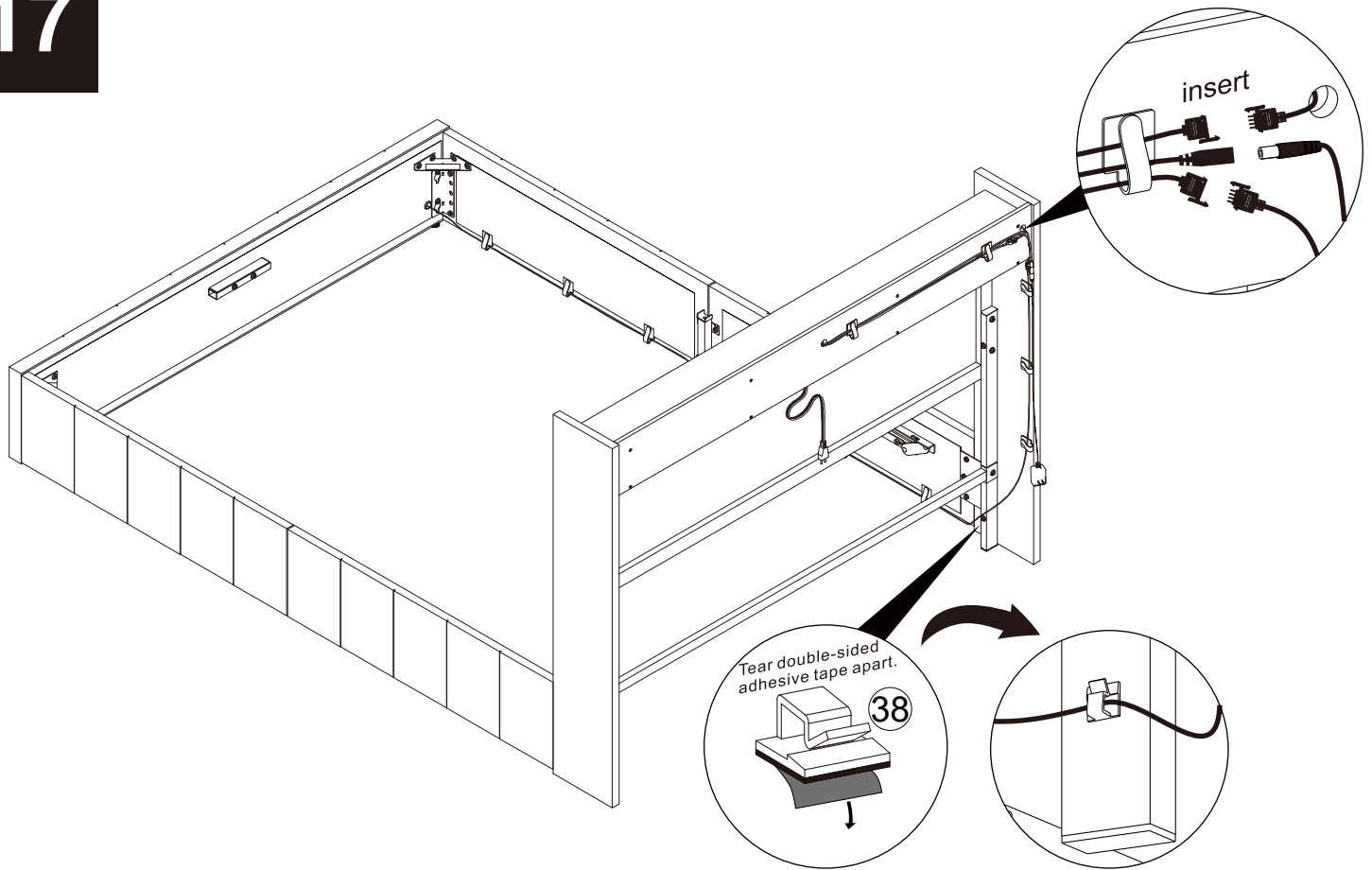
H x 8 K x 2



16

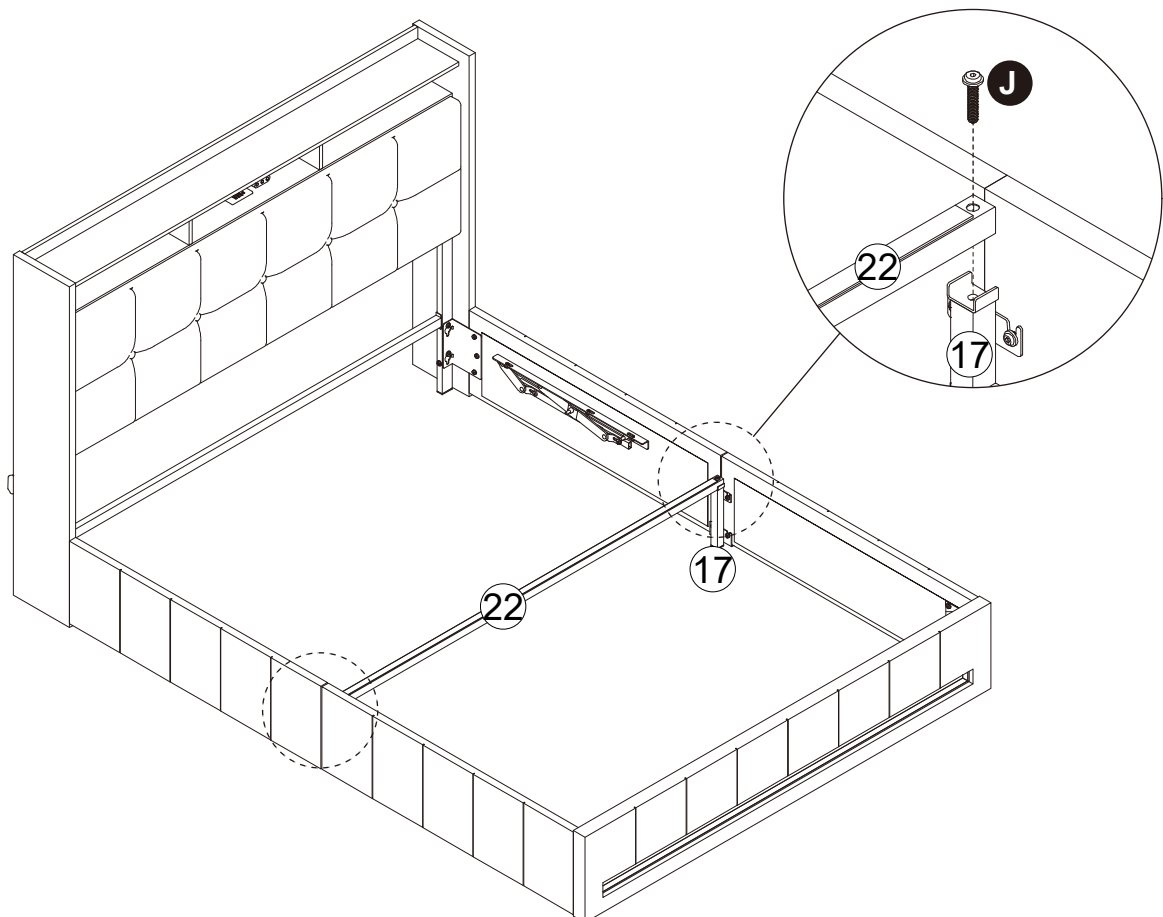


17



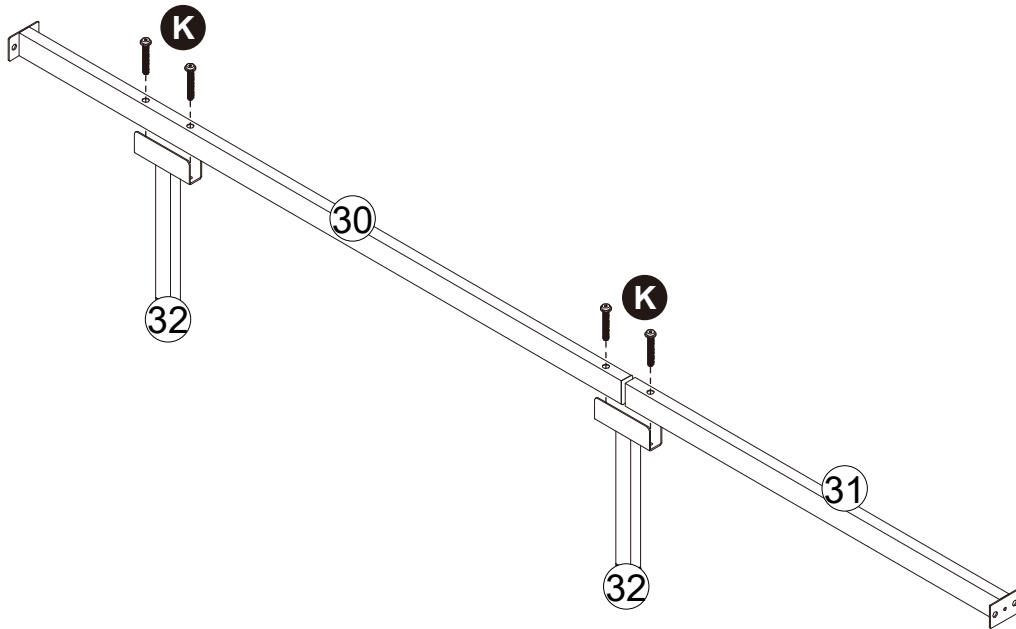
18

 J x 2



19

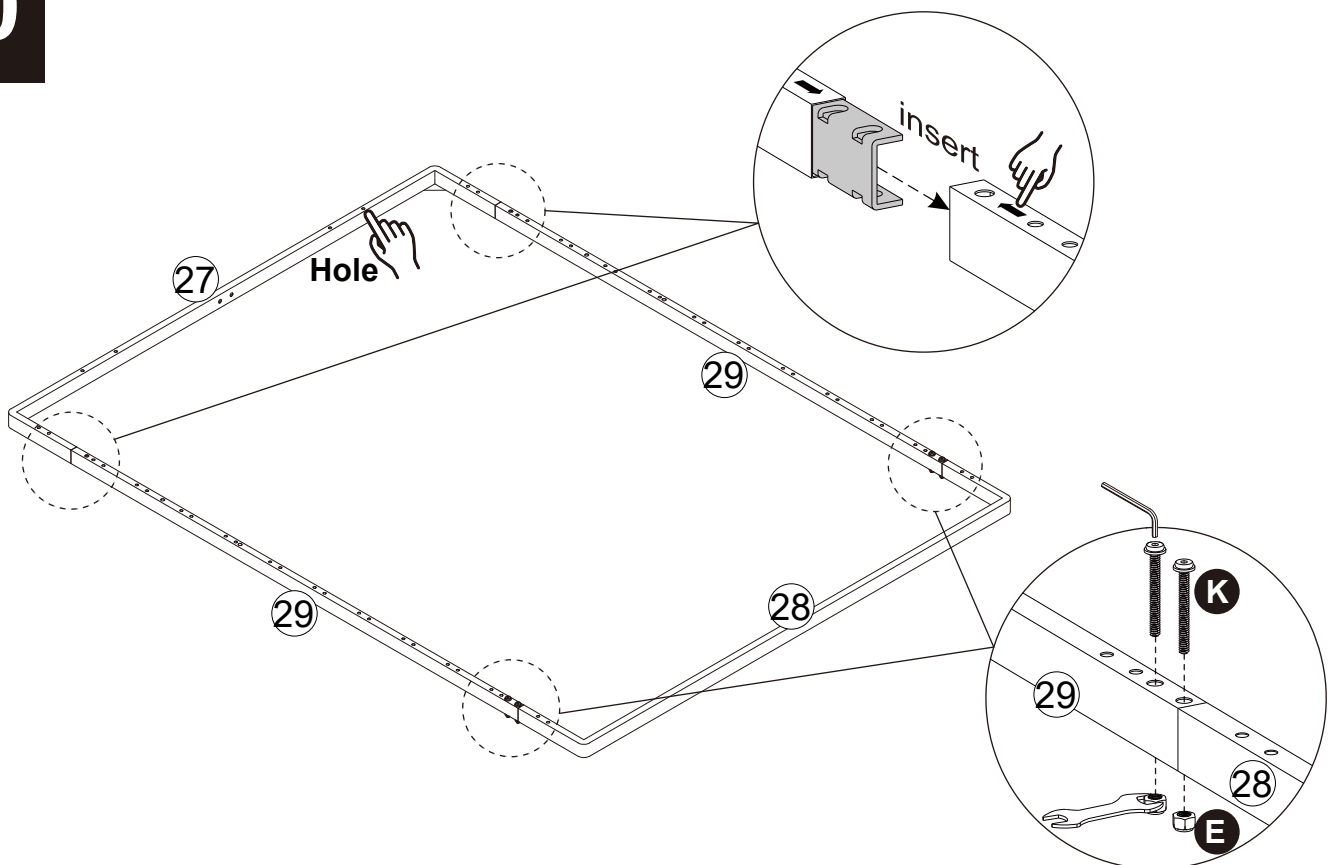
 K x 4



20

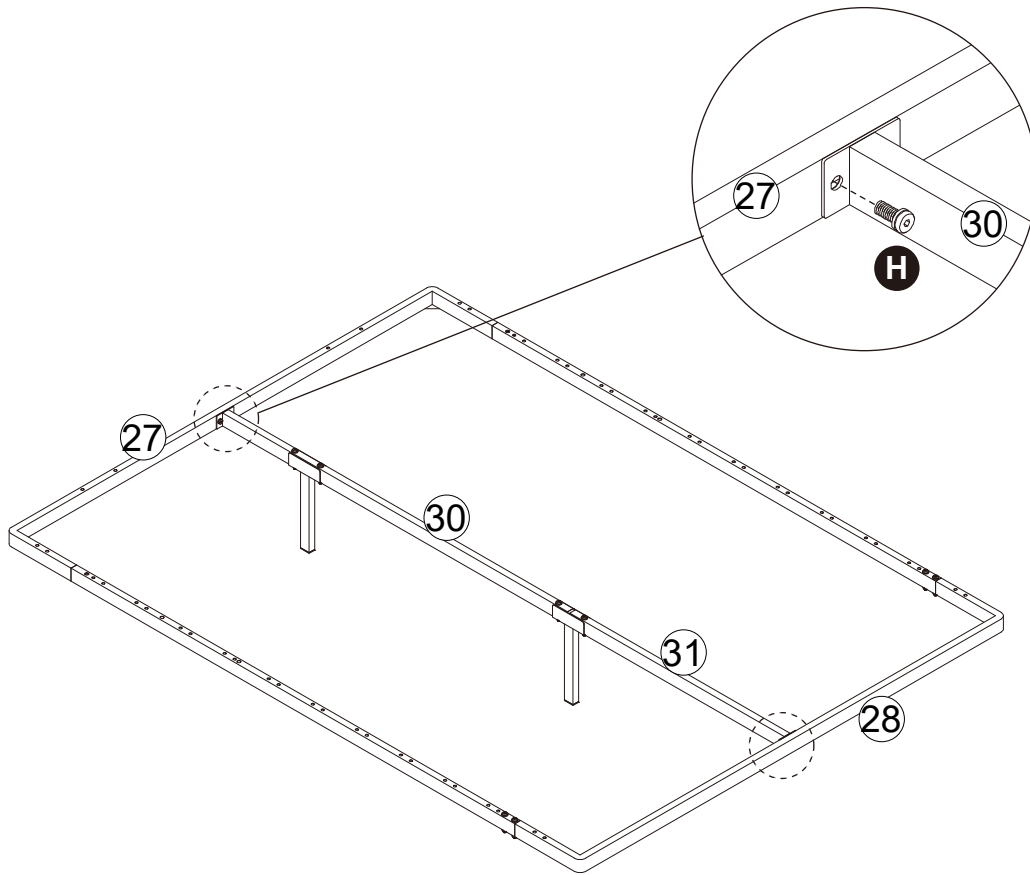
 K x 4

 E x 4



21

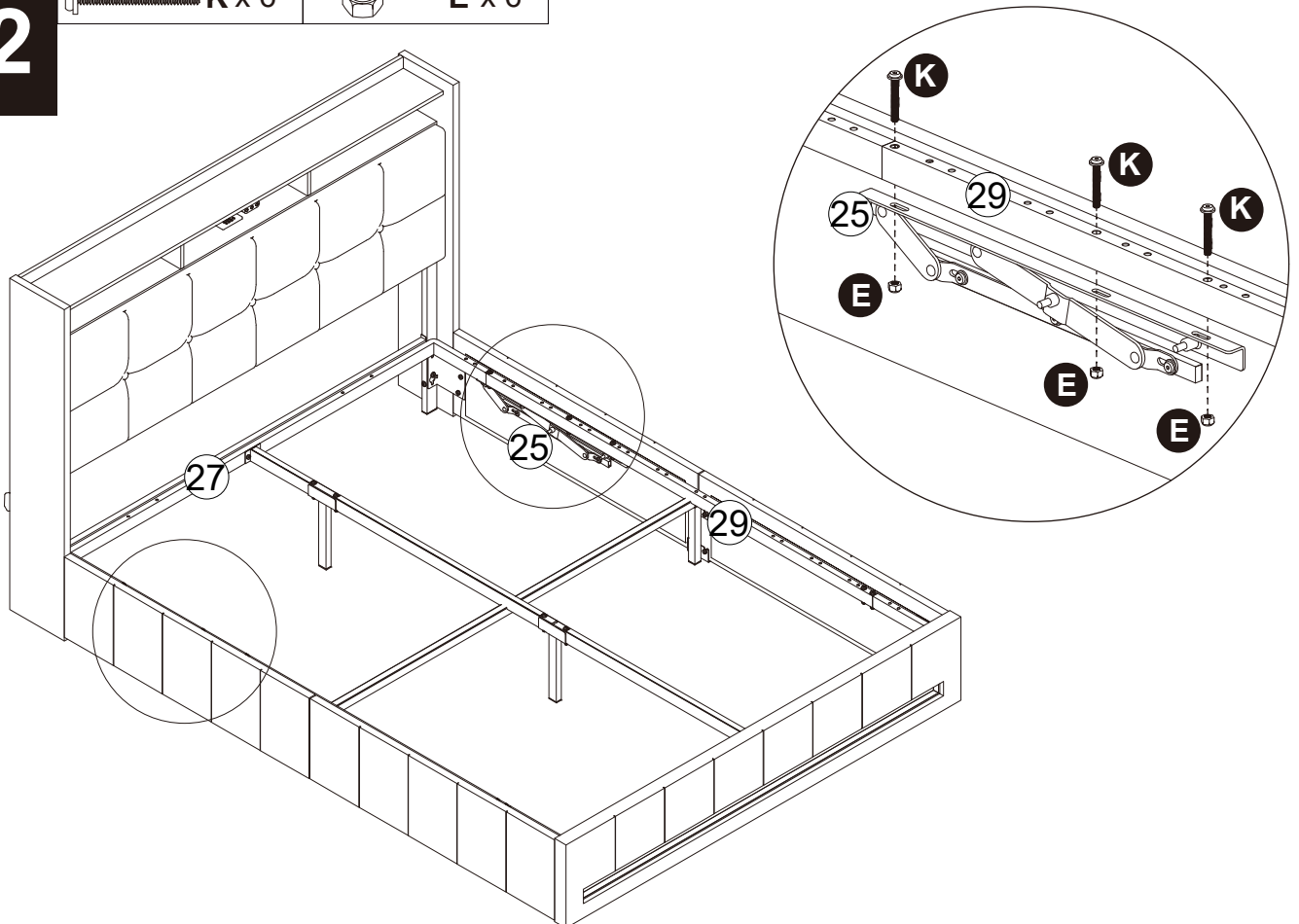
H x 4



22

K x 6

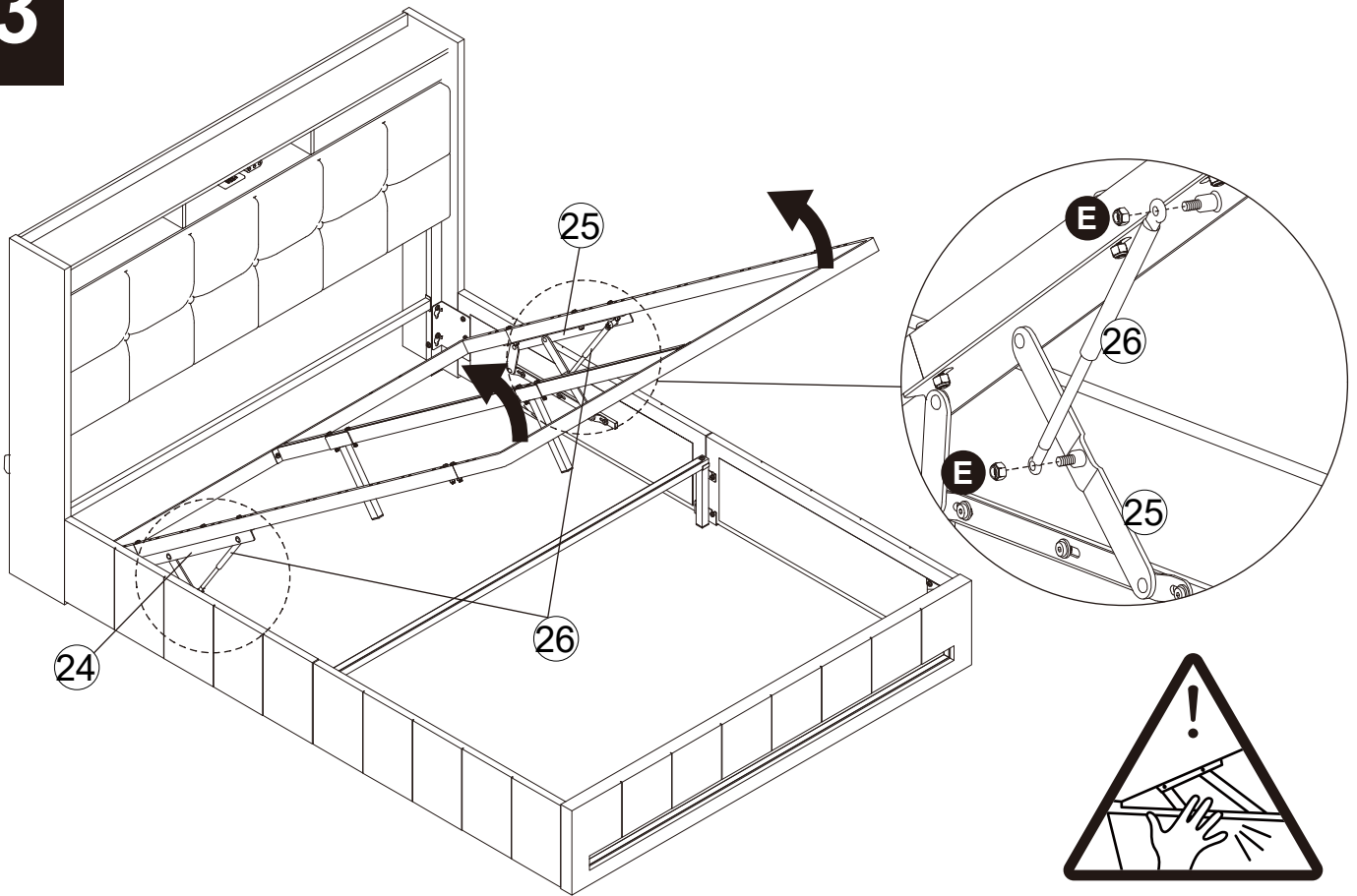
E x 6



23

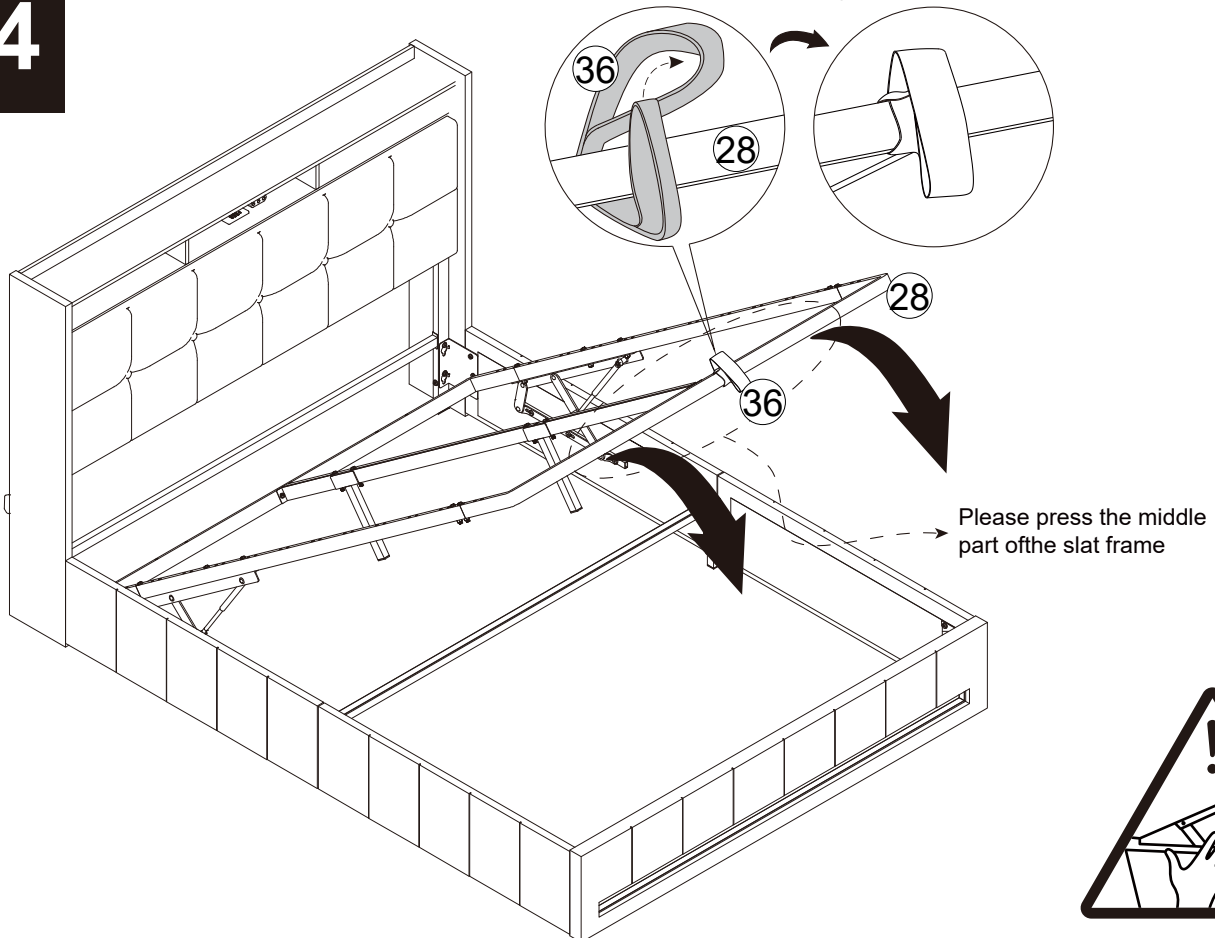


E x 4

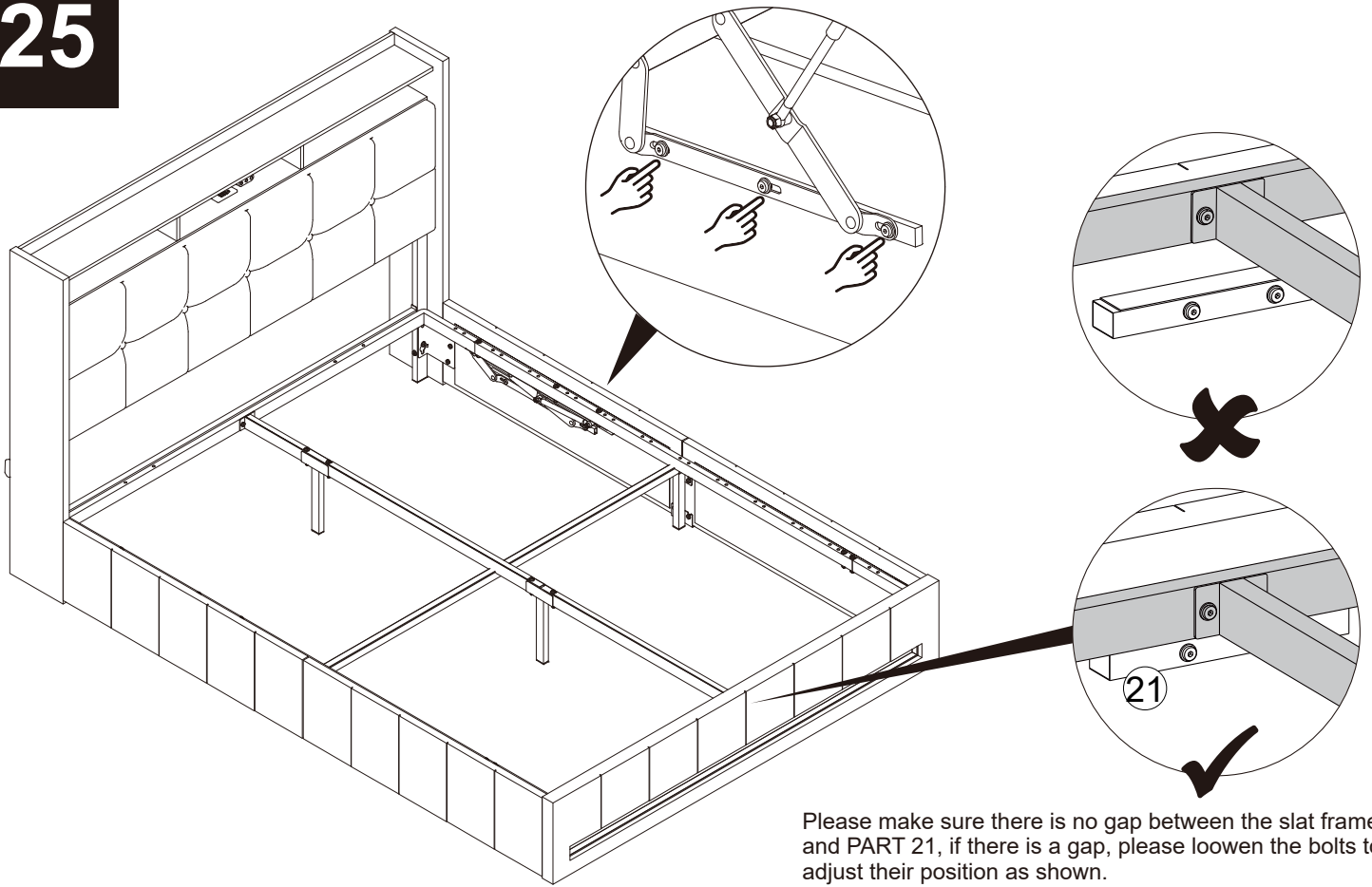


24

Pass one end through the hole

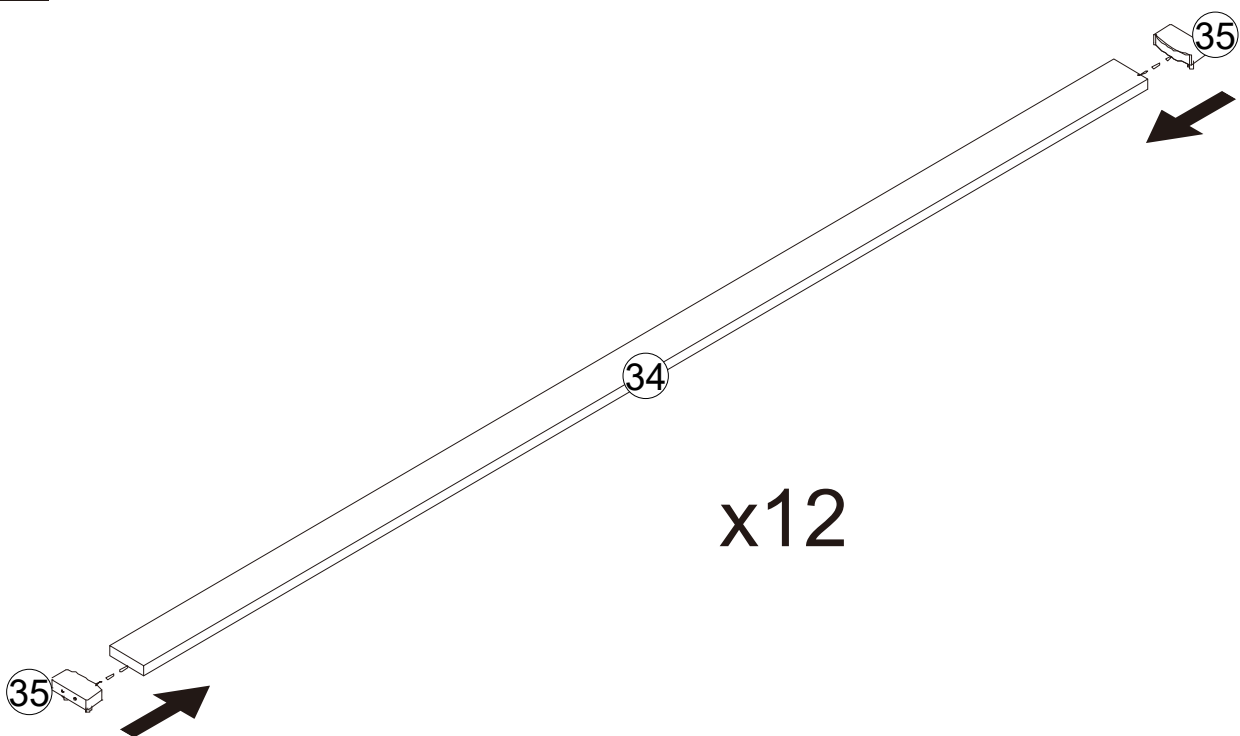


25

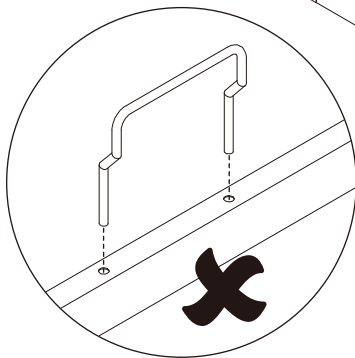
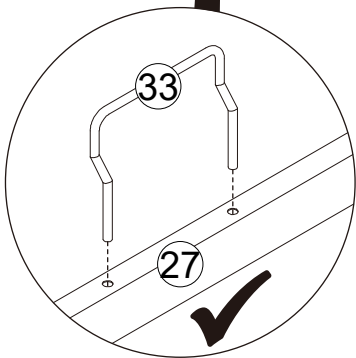
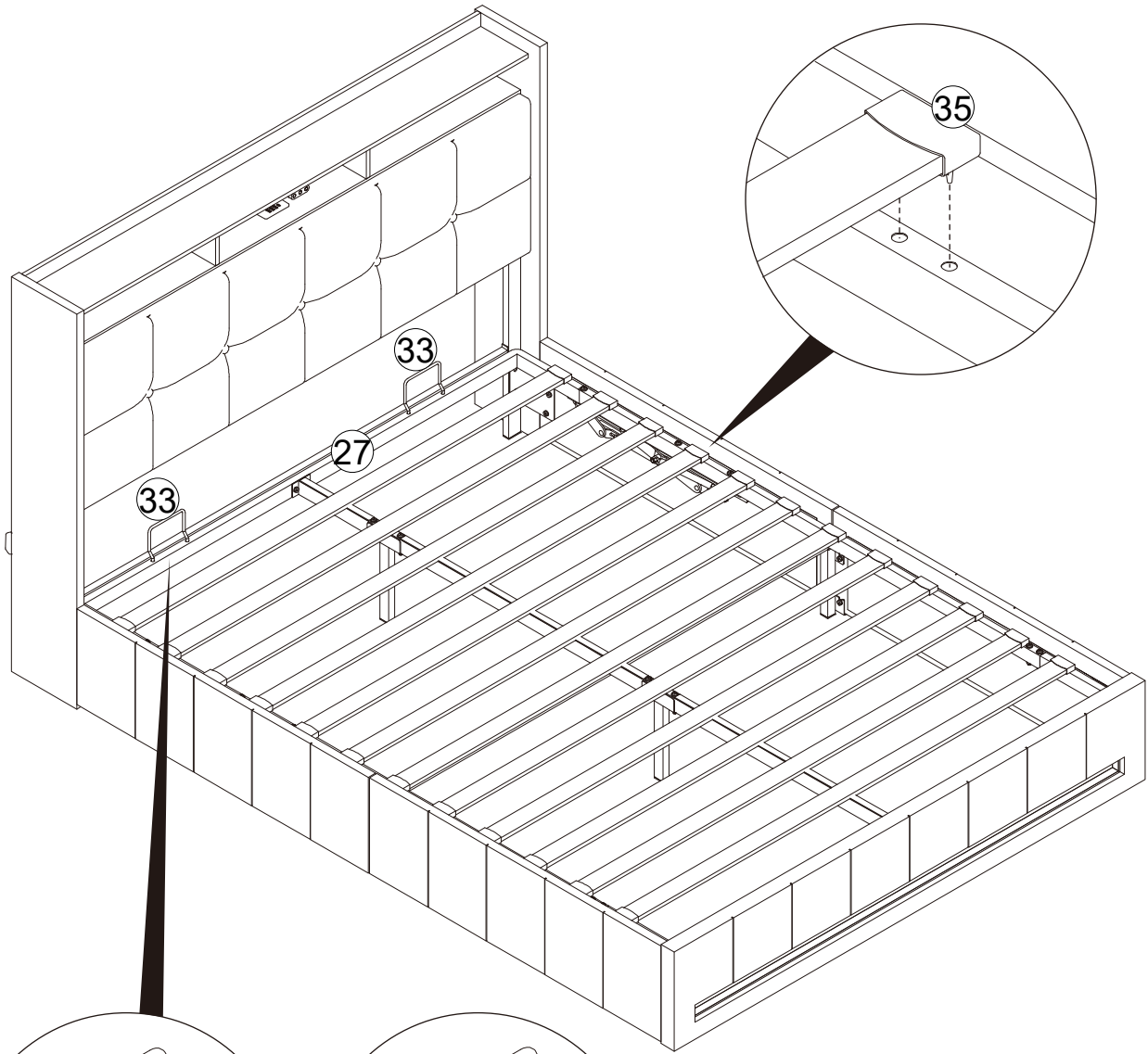


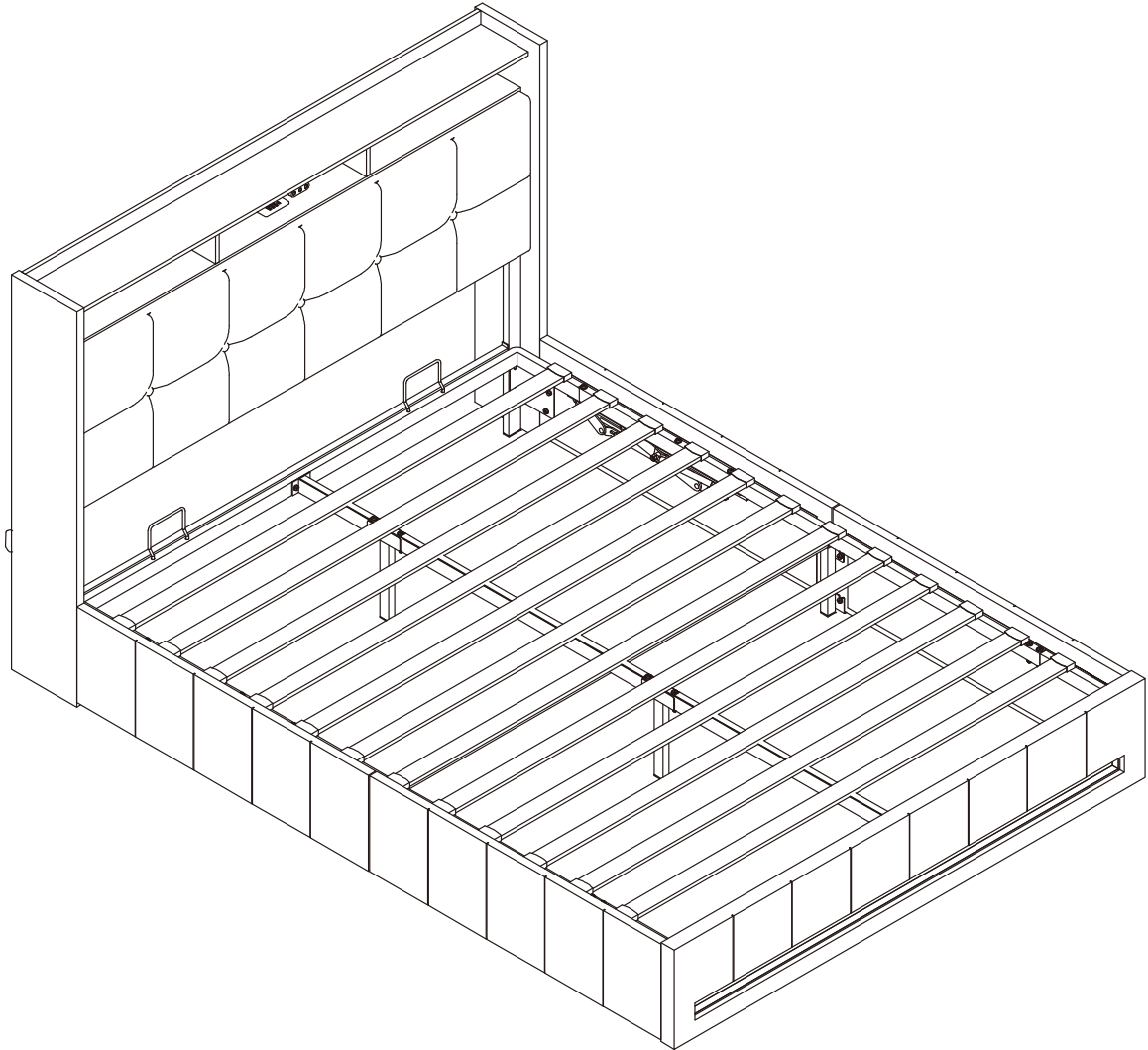
Please make sure there is no gap between the slat frame and PART 21, if there is a gap, please loosen the bolts to adjust their position as shown.

26



27





COMPLETE

Technical Support

(909)637-7665 | (909)637-7593

Other Info

HJ-Customer-Service@outlook.com

Thank you for choosing this product. We strive to provide you with the best quality products and services in the industry. Should you have any issues, please don't hesitate to contact us.