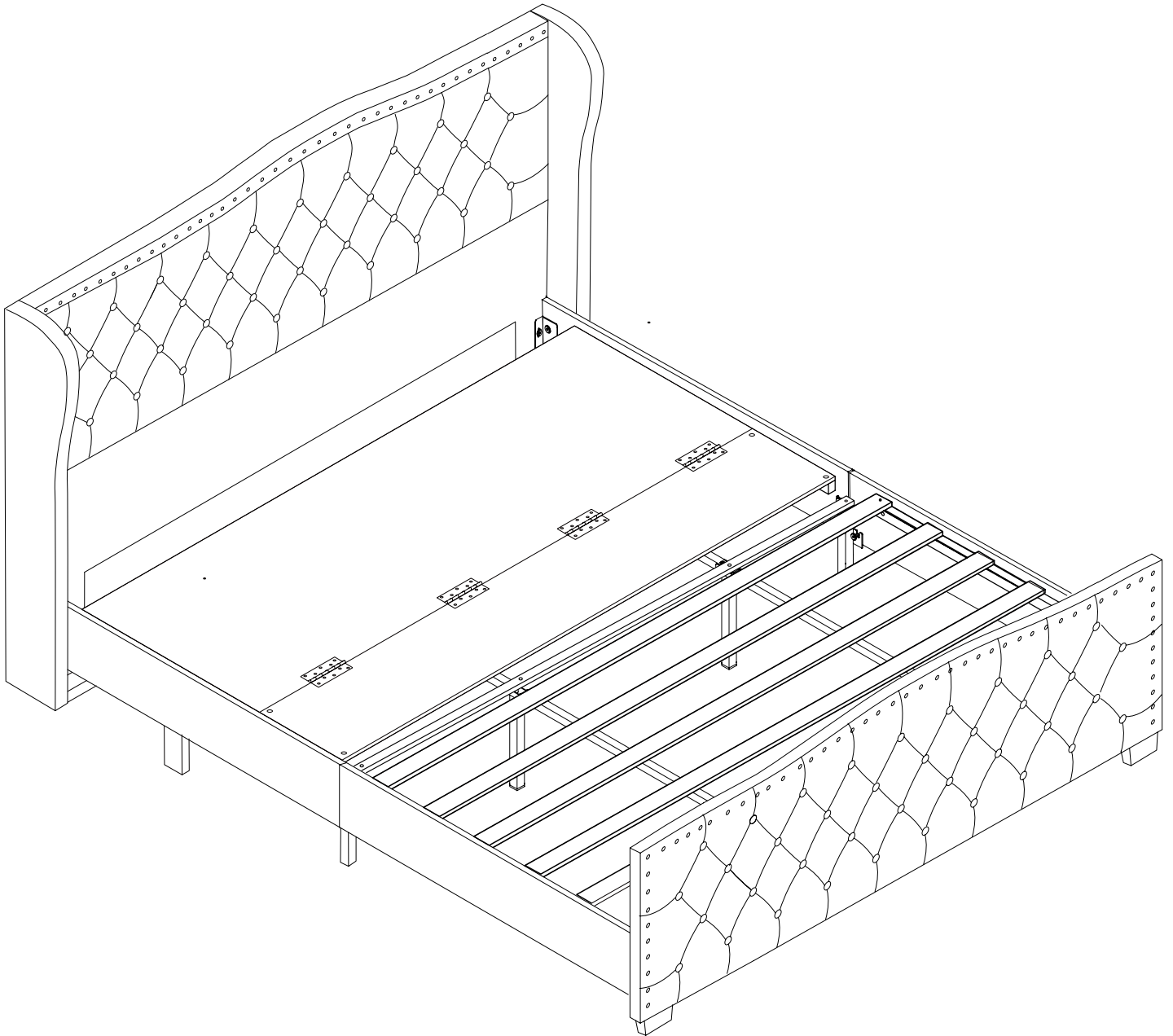


# Assembly Instruction

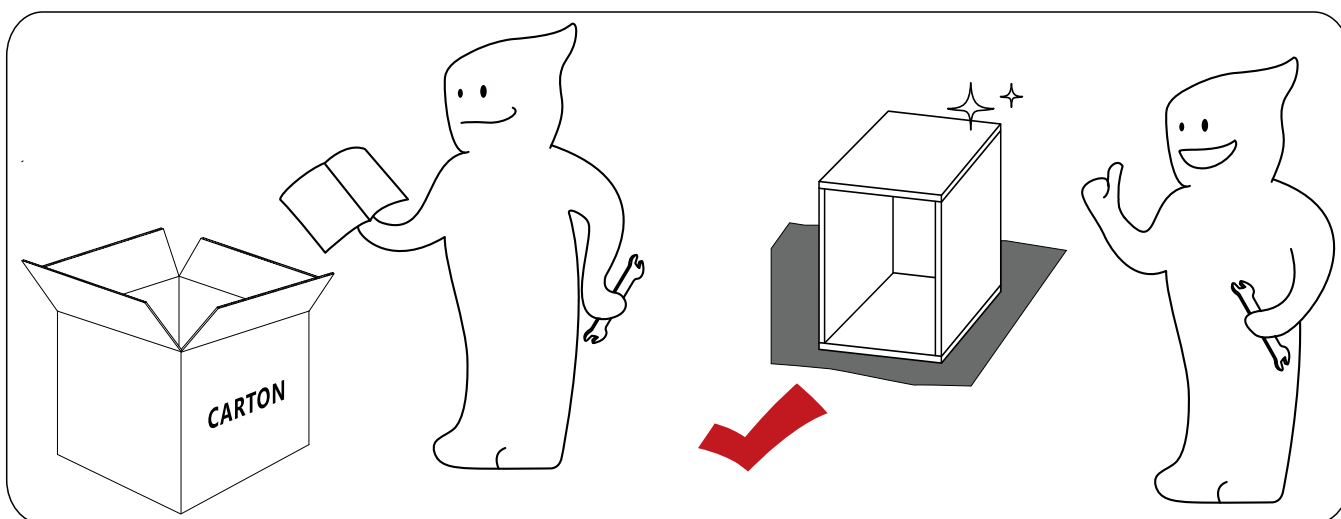
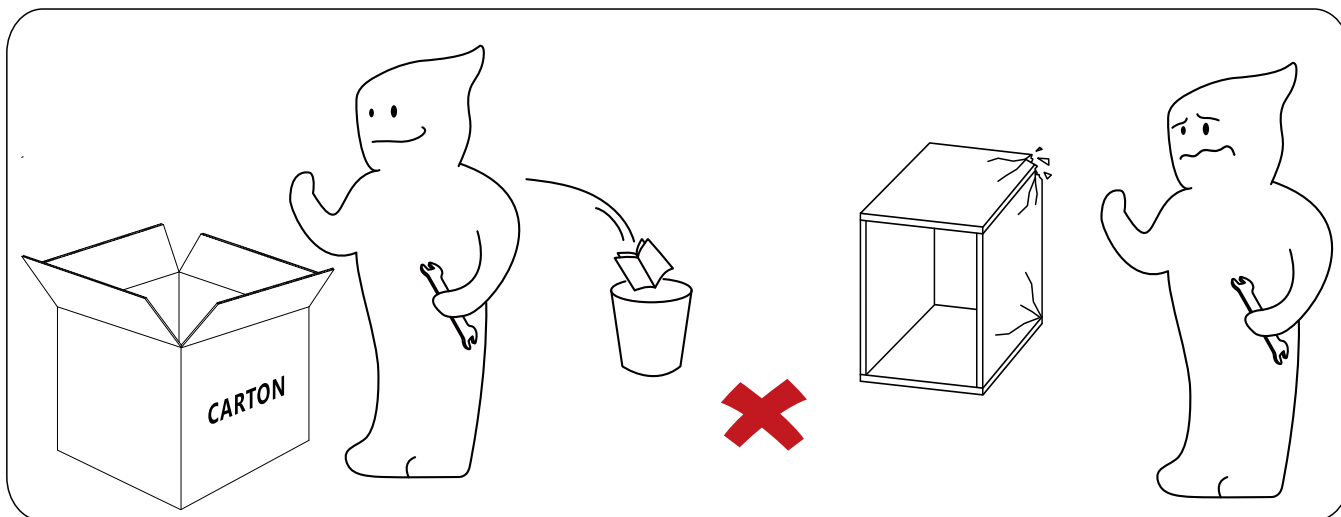


Please check that you have all the parts listed before you start assembling,if you do find that something is missing,do not continue assembly,please contact us immediately.

**NOTE:**Please do not completely tighten all the hardware until the entire assembly is complete!

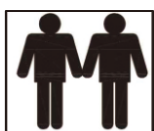
# ! IMPORTANT

Please follow the instruction manuals and use a pad to protect the product during your assembly.

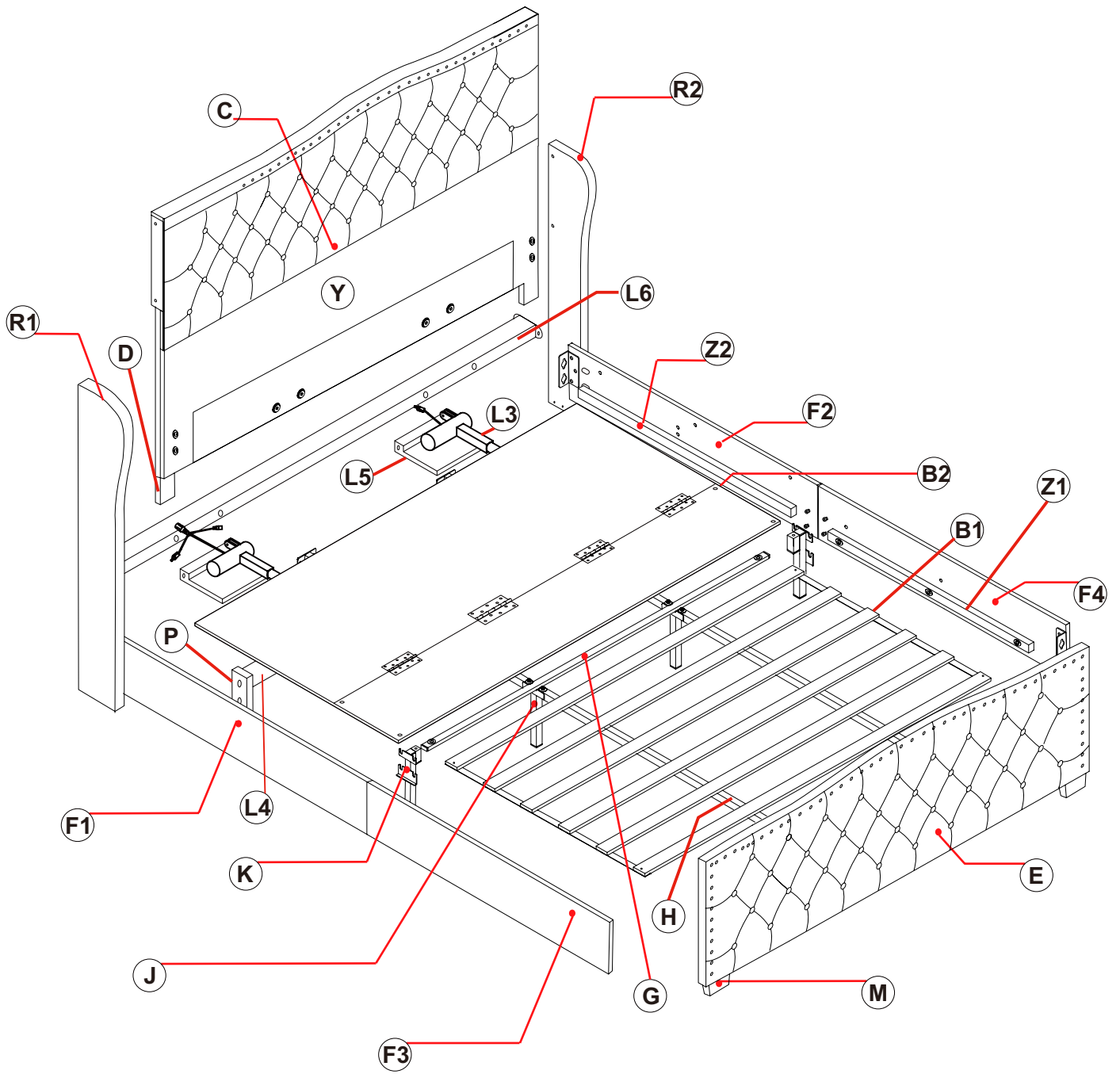


**Note:**

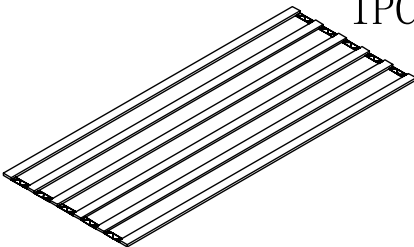
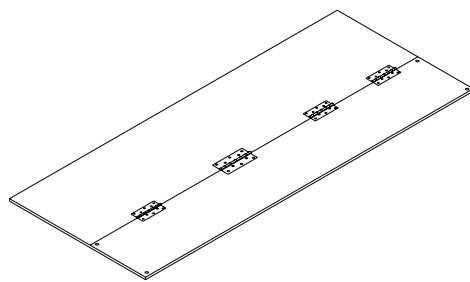
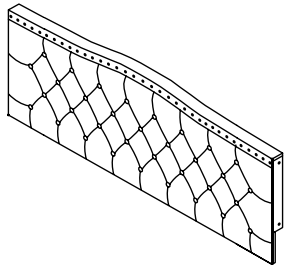

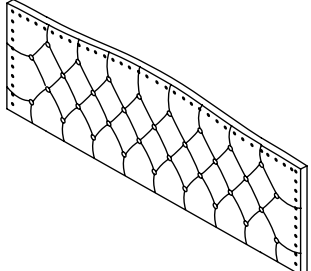
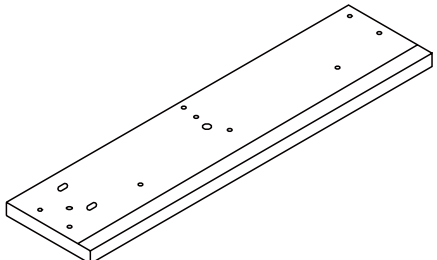
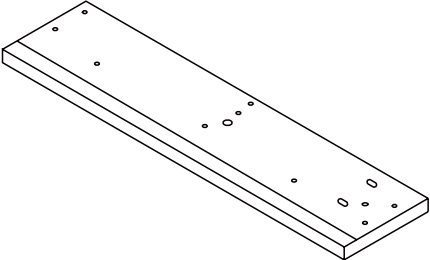
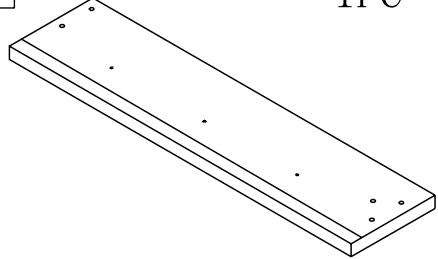
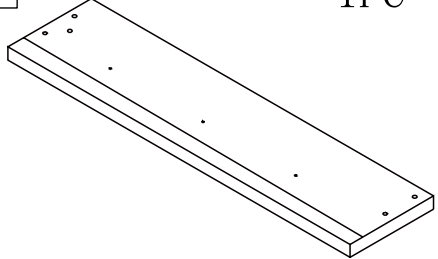
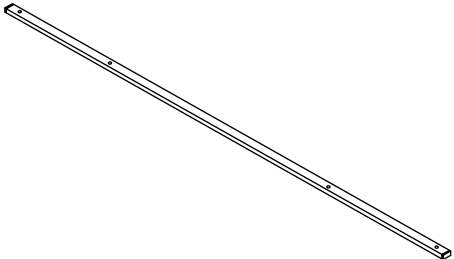
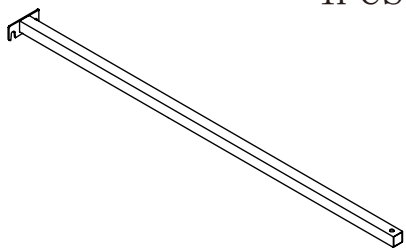
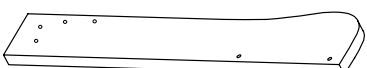

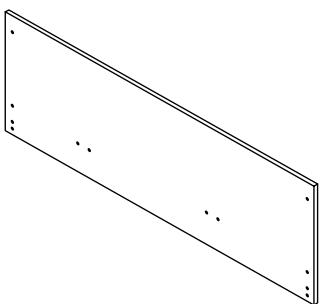
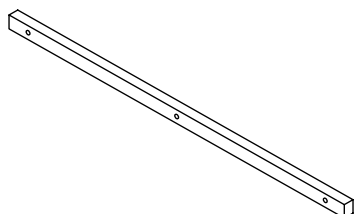
- 1. Should be assembled on flat ground to keep balance.**
- 2. Before completing the installation, do not tighten the screws.**



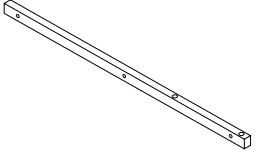
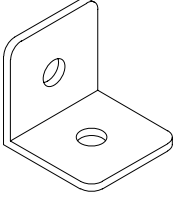
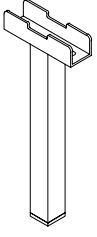
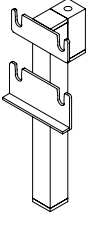
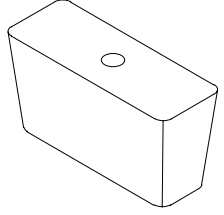
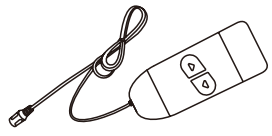
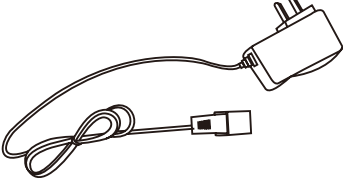
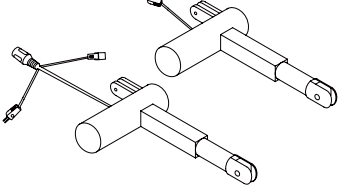
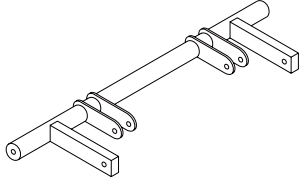
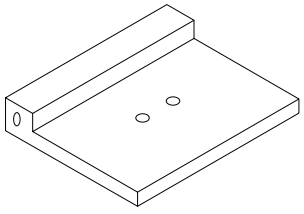
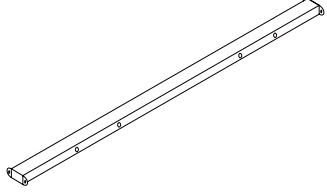
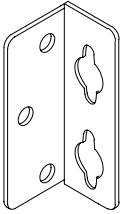
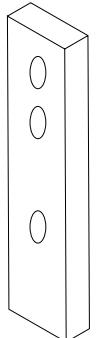
For easier and better assembly, **2** or more adults are required.



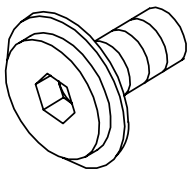
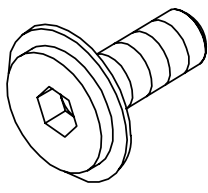
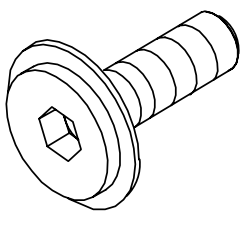
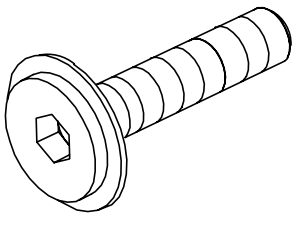
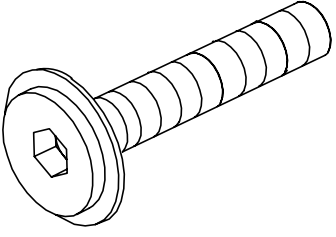
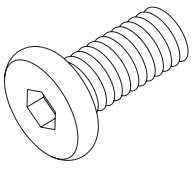

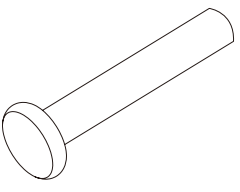
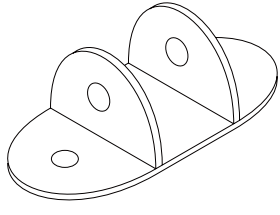
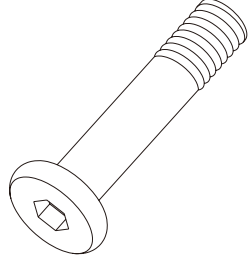
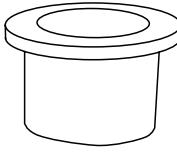
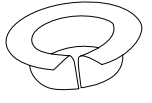

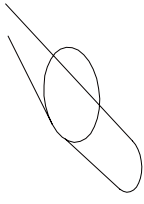
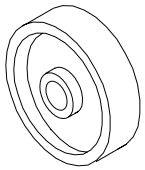


# BED FRAME PARTS LIST

<b>B1</b> <span style="float: right;">1PC</span>  <p style="text-align: center;">Slat</p>	<b>B2</b> <span style="float: right;">1PC</span>  <p style="text-align: center;">Front support panel</p>	<b>C</b> <span style="float: right;">1PC</span>  <p style="text-align: center;">Top headboard</p>
<b>D</b> <span style="float: right;">2PCS</span>  	<b>E</b> <span style="float: right;">1PC</span>  <p style="text-align: center;">Footboard</p>	<b>F1</b> <span style="float: right;">1PC</span>  <p style="text-align: center;">Left side rail</p>
<b>F2</b> <span style="float: right;">1PC</span>  <p style="text-align: center;">Right side rail</p>	<b>F3</b> <span style="float: right;">1PC</span>  <p style="text-align: center;">Left side rail</p>	<b>F4</b> <span style="float: right;">1PC</span>  <p style="text-align: center;">Right side rail</p>
<b>G</b> <span style="float: right;">1PC</span>  <p style="text-align: center;">Cross bar</p>	<b>H</b> <span style="float: right;">4PCS</span>  <p style="text-align: center;">Middle support bar</p>	<b>R1</b> <span style="float: right;">1PC</span>  <p style="text-align: center;">Left wing</p>
<b>R2</b> <span style="float: right;">1PC</span>  <p style="text-align: center;">Right wing</p>	<b>Y</b> <span style="float: right;">1PC</span>  <p style="text-align: center;">Bottom headboard</p>	<b>Z1</b> <span style="float: right;">2PCS</span>  <p style="text-align: center;">side bar</p>

# FITTING PART LIST

<b>Z2</b>	2PCS	<b>I</b>	6PCS	<b>J</b>	2PCS	<b>K</b>	2PCS
							
<b>side bar</b>		<b>Connector</b>		<b>Support leg</b>		<b>side leg</b>	
<b>M</b>	2PCS	<b>L1</b>	1PC	<b>L2</b>	1PC	<b>L3</b>	1PC
							
<b>Foot</b>		<b>Controllers</b>		<b>Power cable</b>		<b>Gas-lifter</b>	
<b>L4</b>	1PC	<b>L5</b>	2PCS	<b>L6</b>	1PC	<b>N</b>	4PCS
							
<b>Drive rod</b>		<b>Mounting base</b>		<b>Lower Headboard bar</b>		<b>Connector</b>	
<b>P</b>	2PCS						
							
<b>Bed side support leg</b>							

# FITTING PART LIST

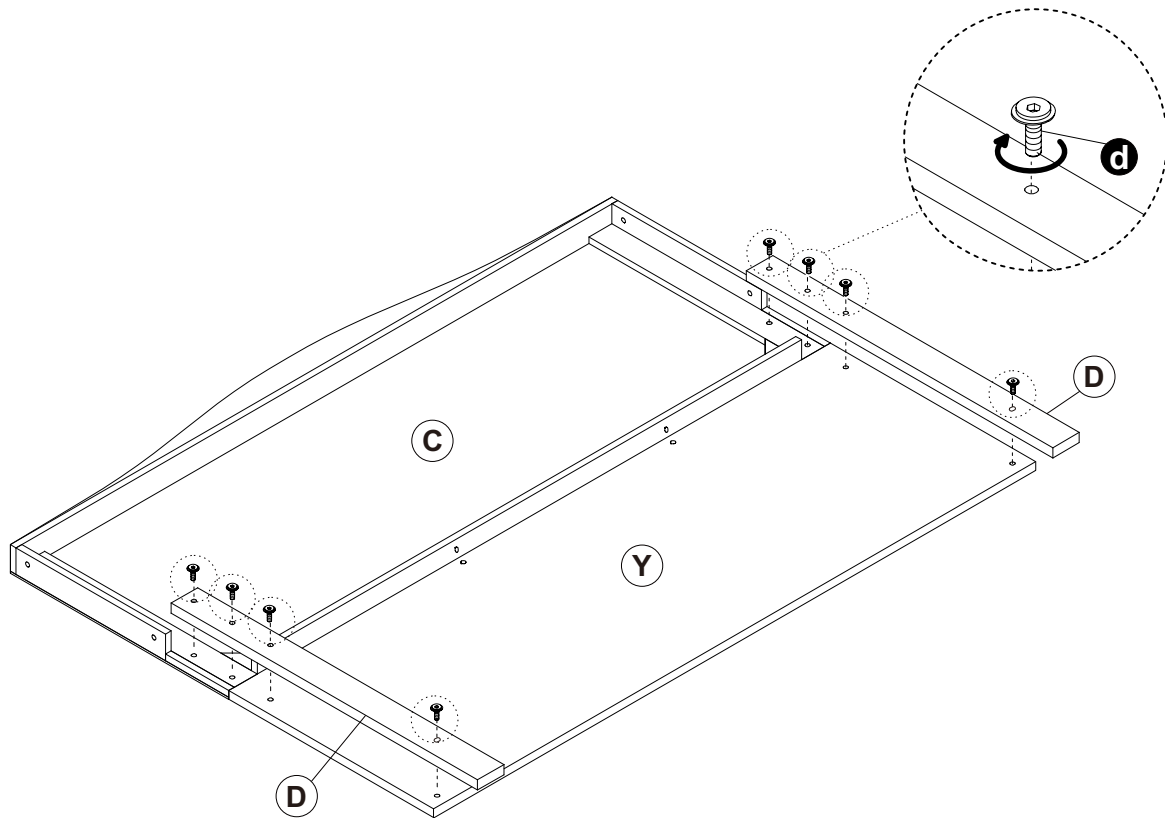
a	28PCS	b	12PCS	c	24PCS	d	16PCS
 <b>M8*18</b>		 <b>M8*25</b>		 <b>M8*35</b>		 <b>M8*45</b>	
e	2PCS	f	16PCS	g	4PCS	h	6PCS
 <b>M8*55</b>		 <b>M8*18</b>		 <b>M8*40</b>			
i	2PCS	j	2PCS	k	12PCS	m	4PCS
		 <b>M10*37</b>					
n	4PCS	o	6PCS	r	2PCS	s	1PC
						 <b>M6</b>	
t	1PC						
 <b>M8</b>							

# step1

d

M8\*45

8PCS

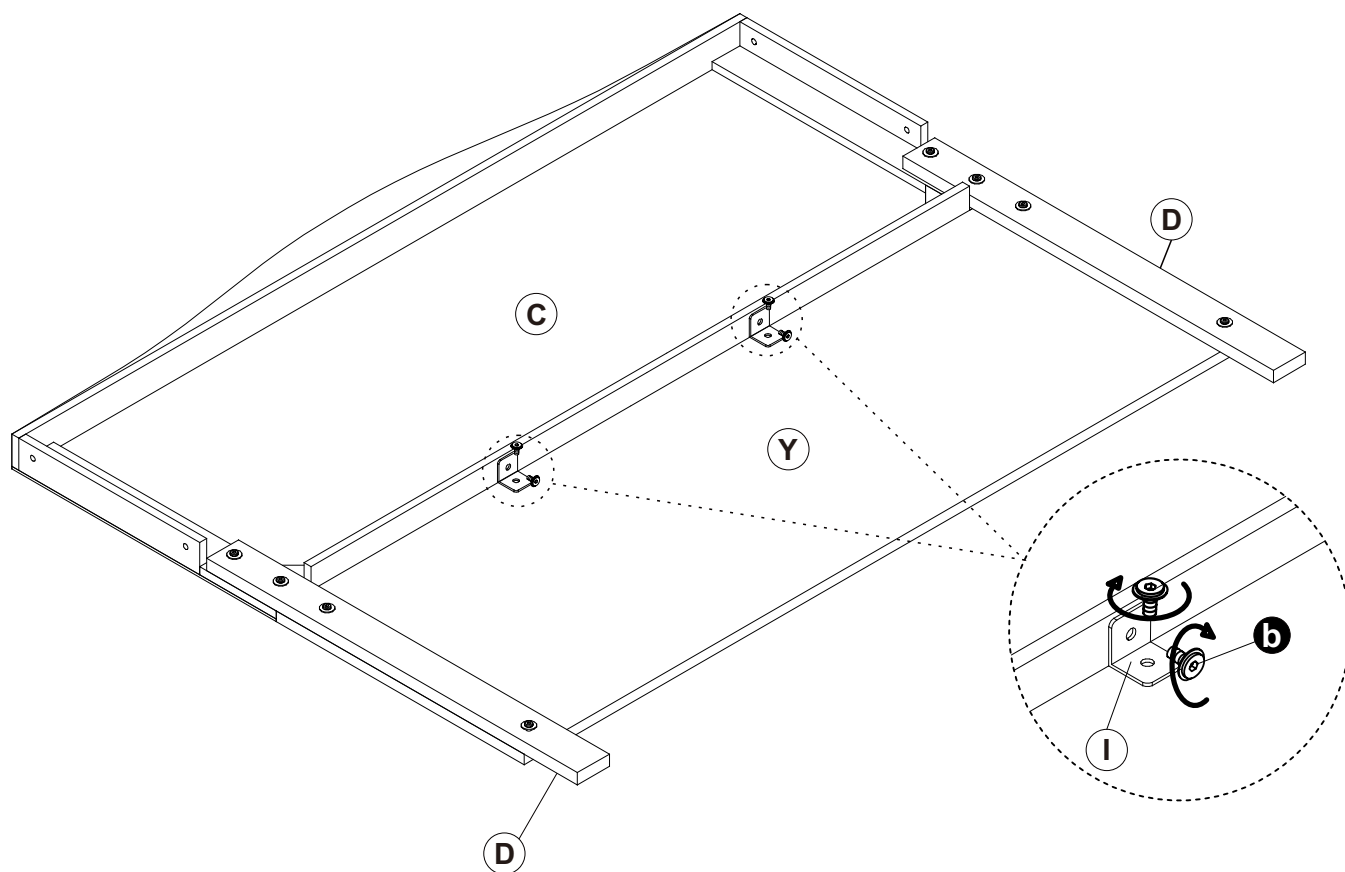


# step2

b



M8\*25

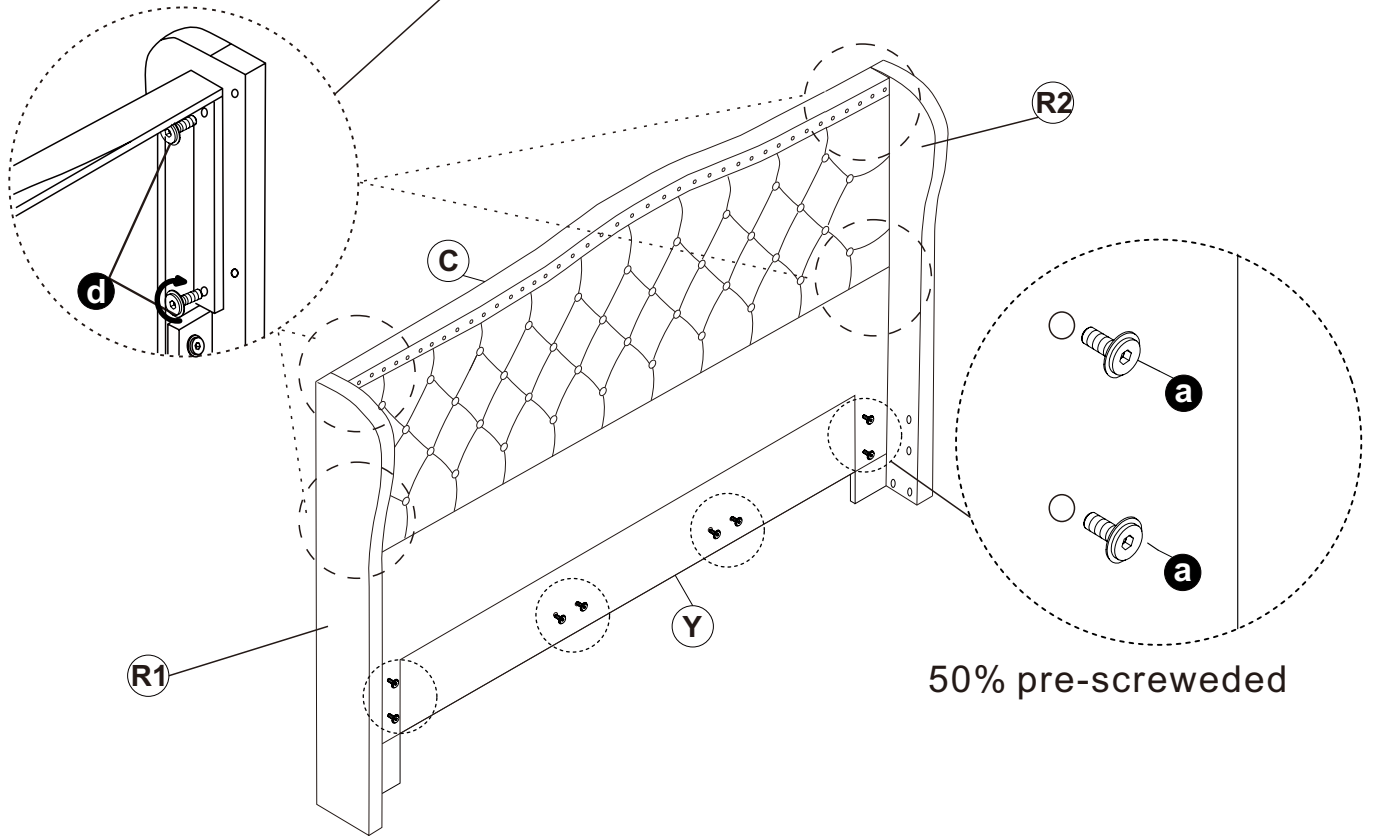
4PCS



# step3

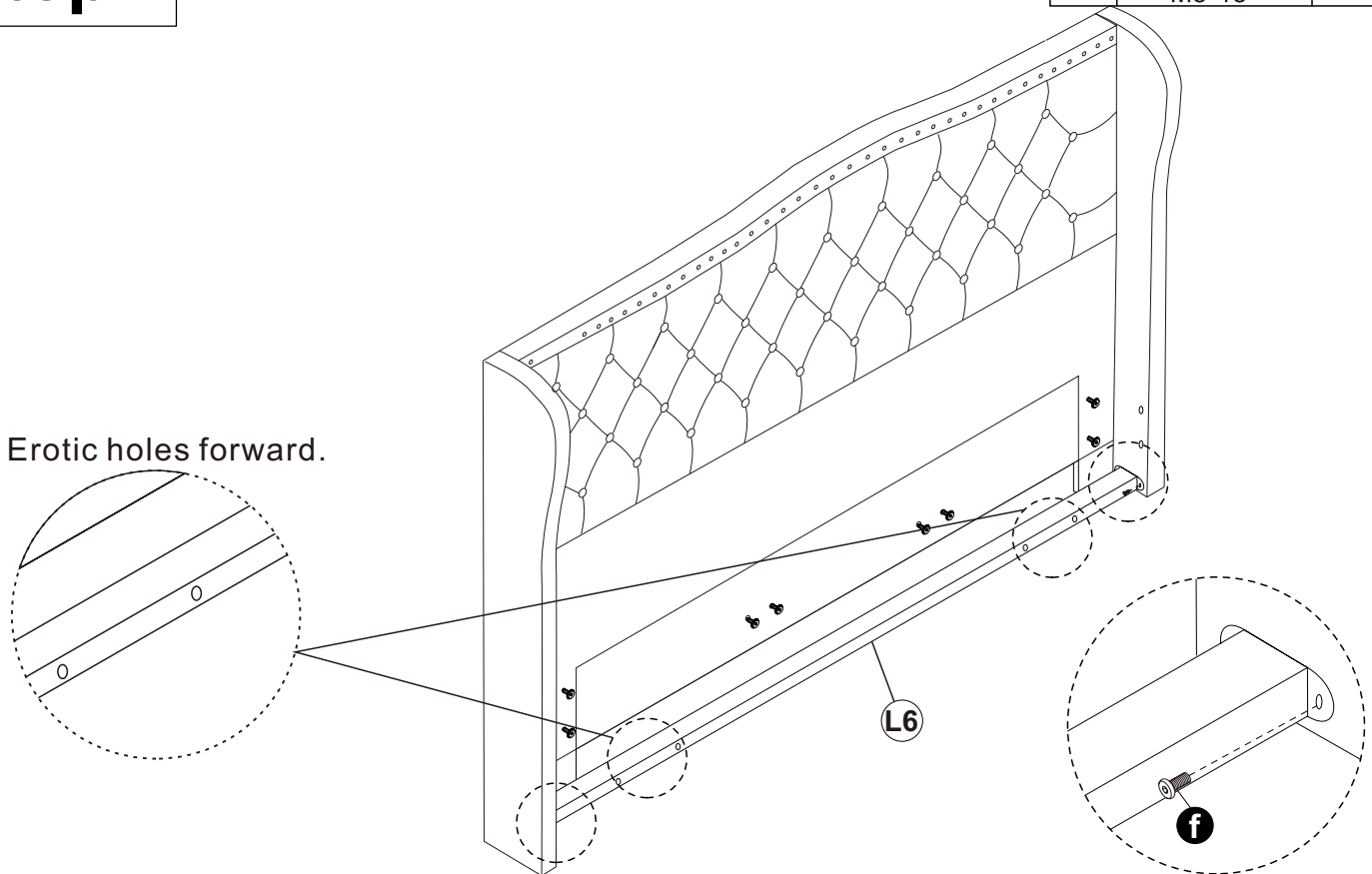
During the assembly, please first half-tighten all the screws into the holes. After all the screws are set, fully tighten them.

a	 M8*18	8PCS
d	 M8*45	4PCS



# step4

f	 M8*18	4PCS
---	--	------

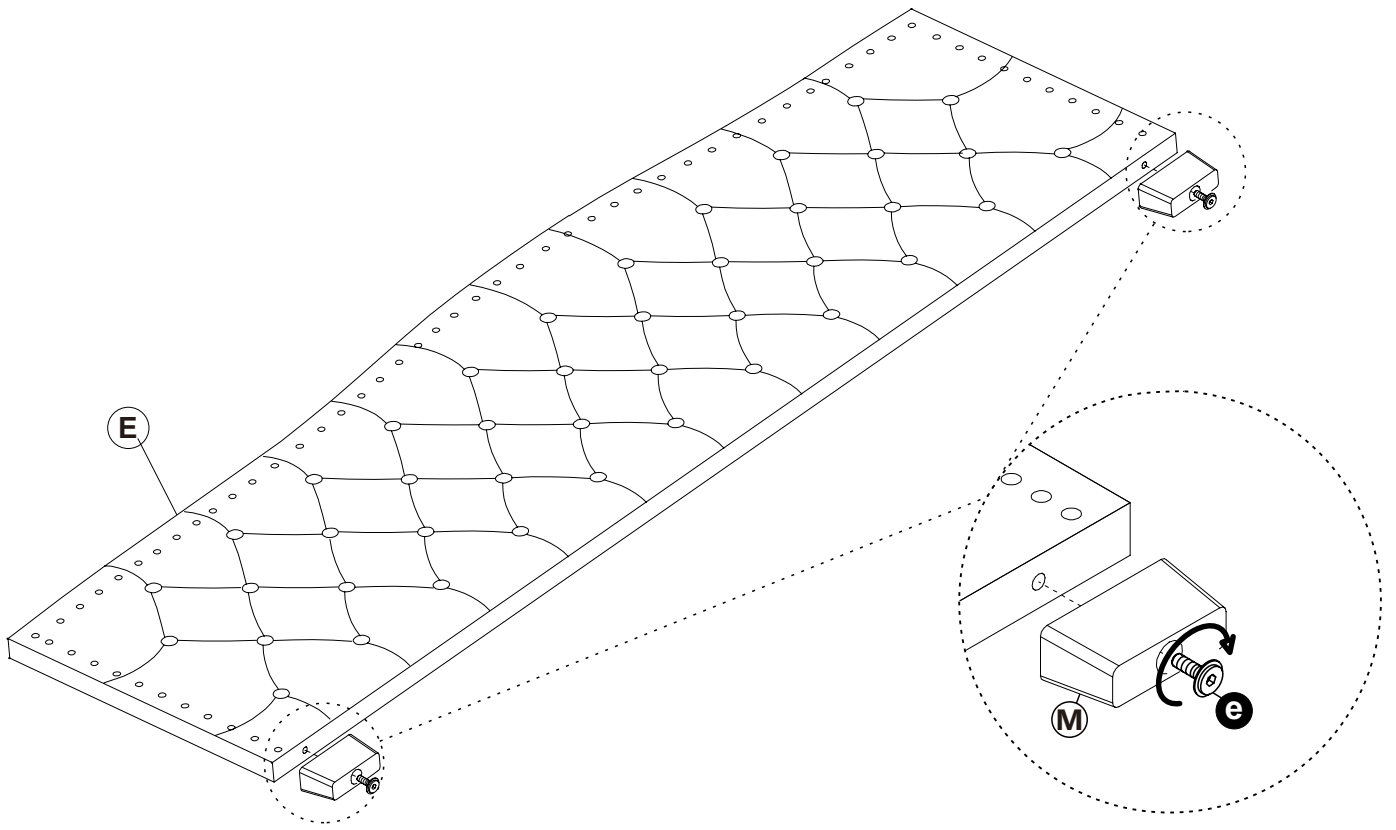


# step5

e



2PCS

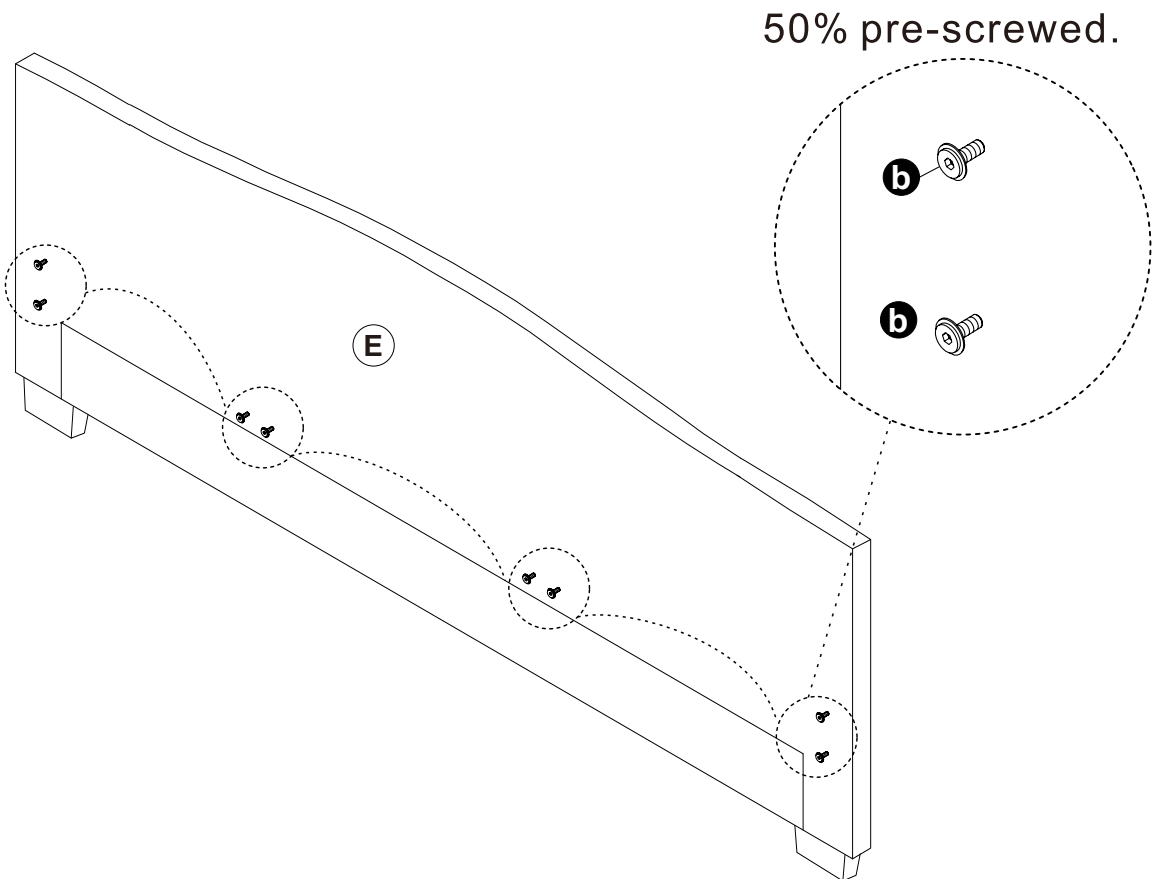


# step6

b



8PCS

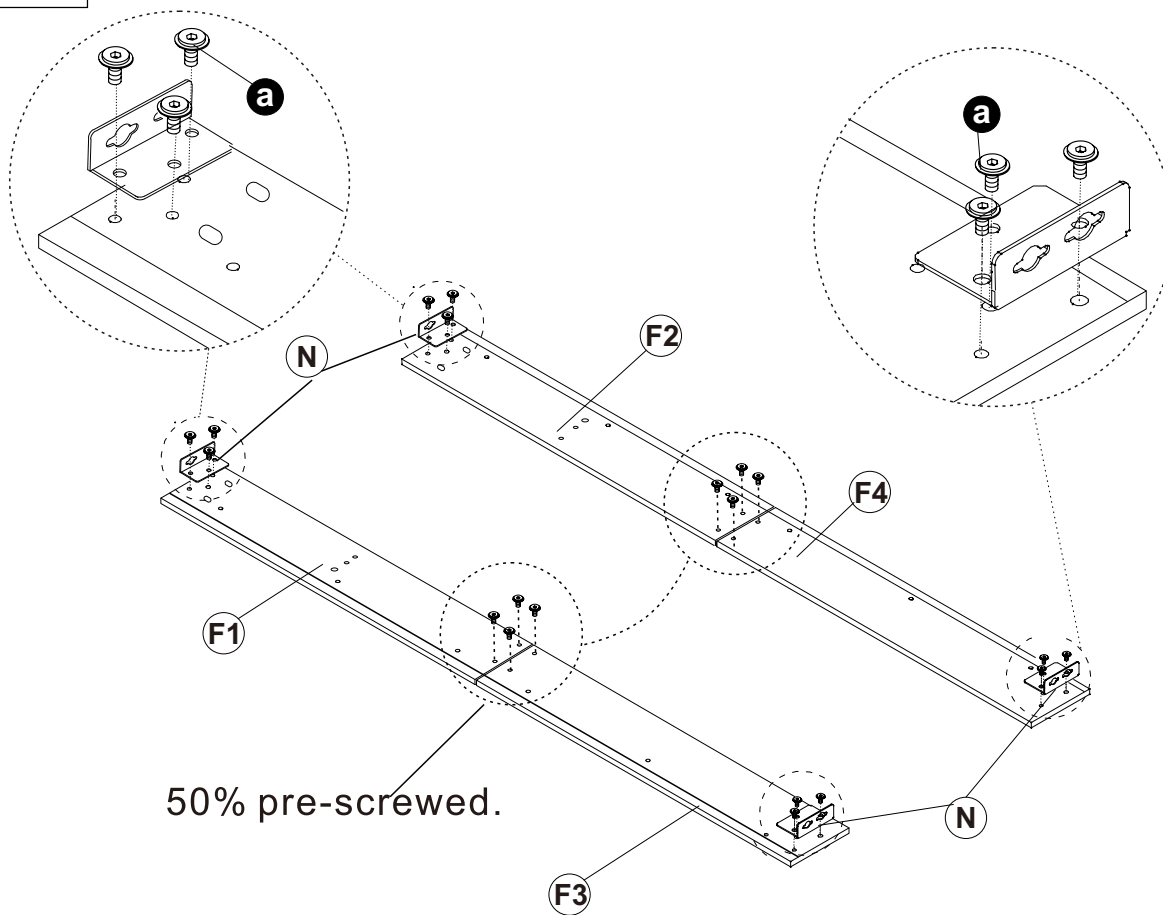


# step7

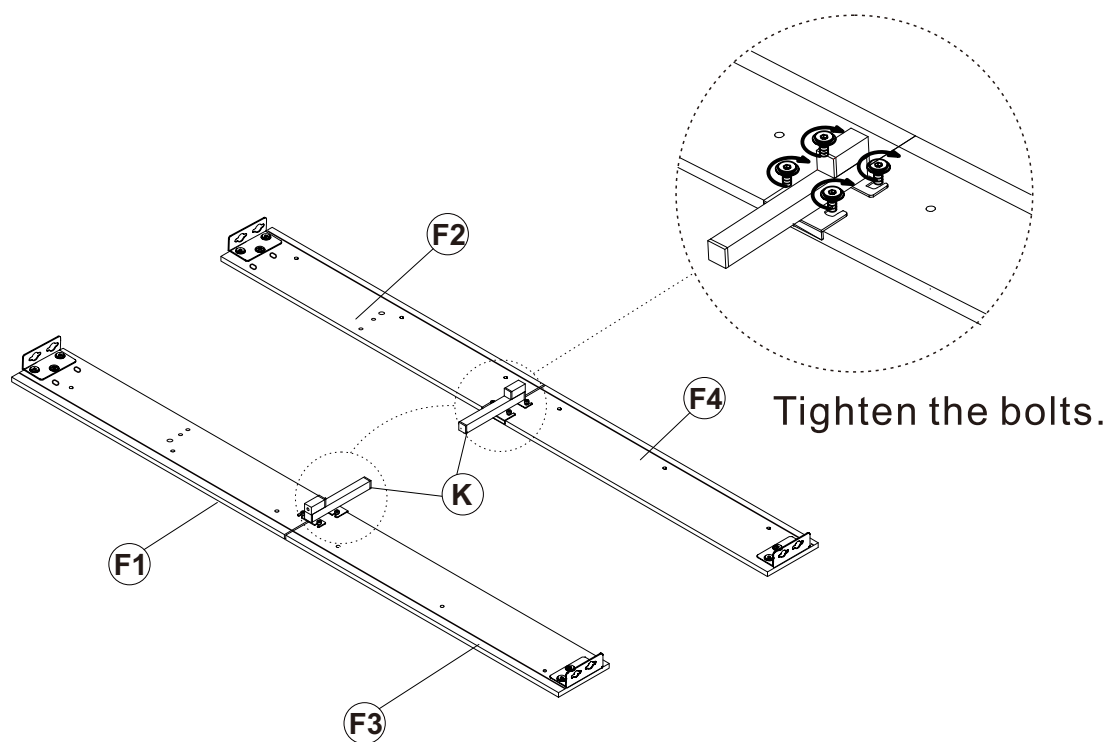
a

M8\*18

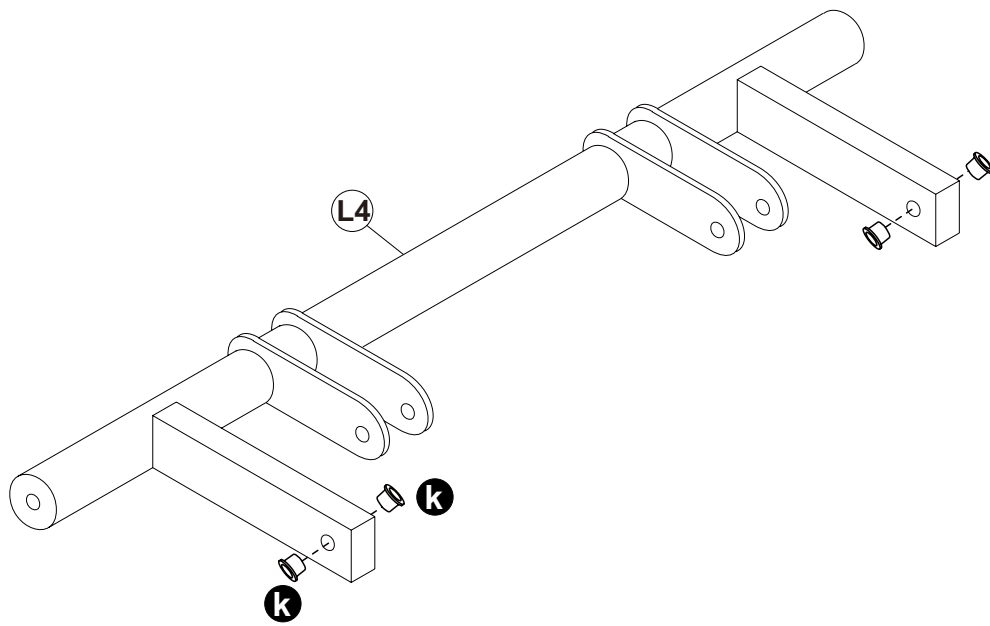
20PCS



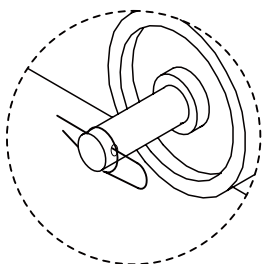
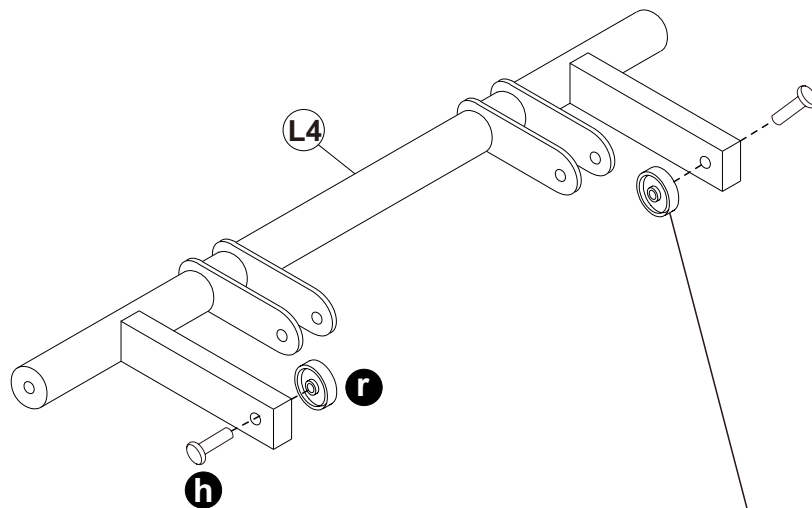
# step8



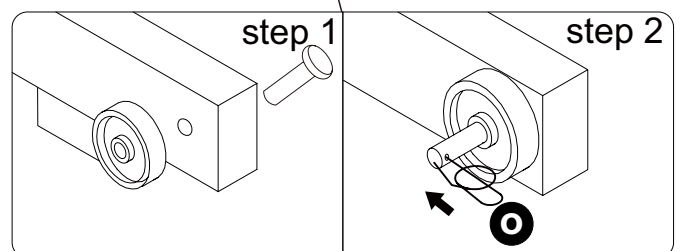
# step9



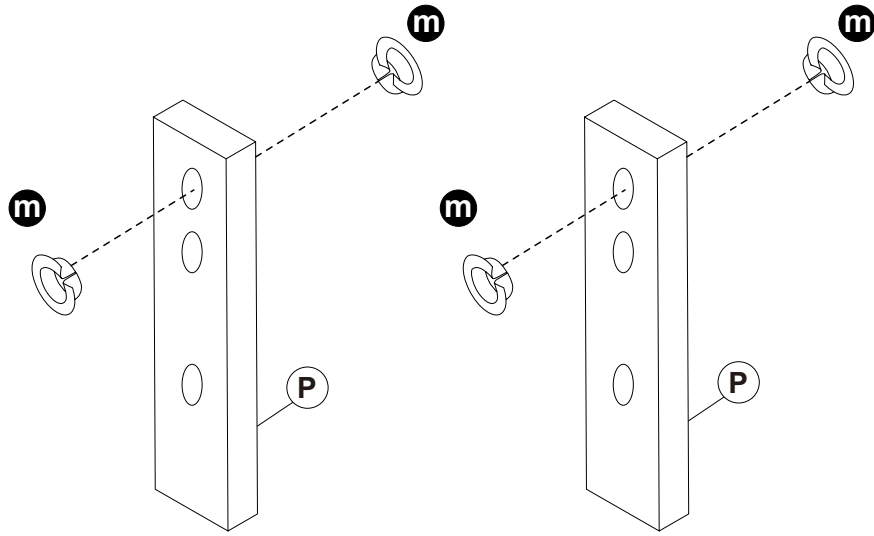
# step10




As shown on the graph, shows part S after assembling.

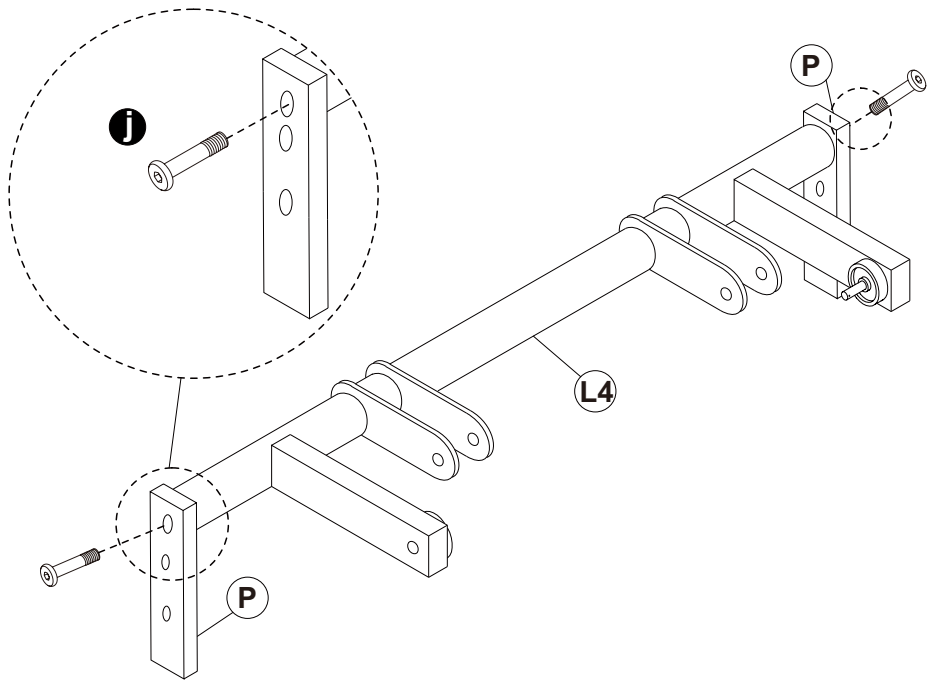


# step11



# step12

<b>j</b>	 M10*37	2PCS
----------	---	------

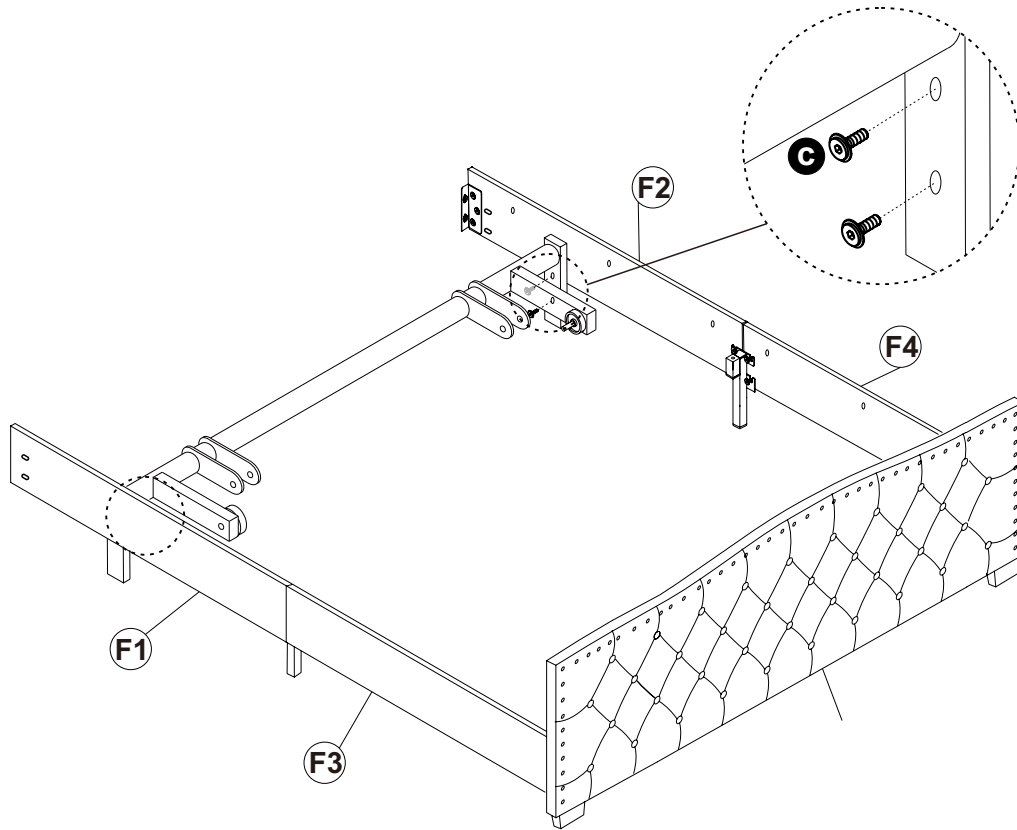


# step13

C



4PCS



# step14

d

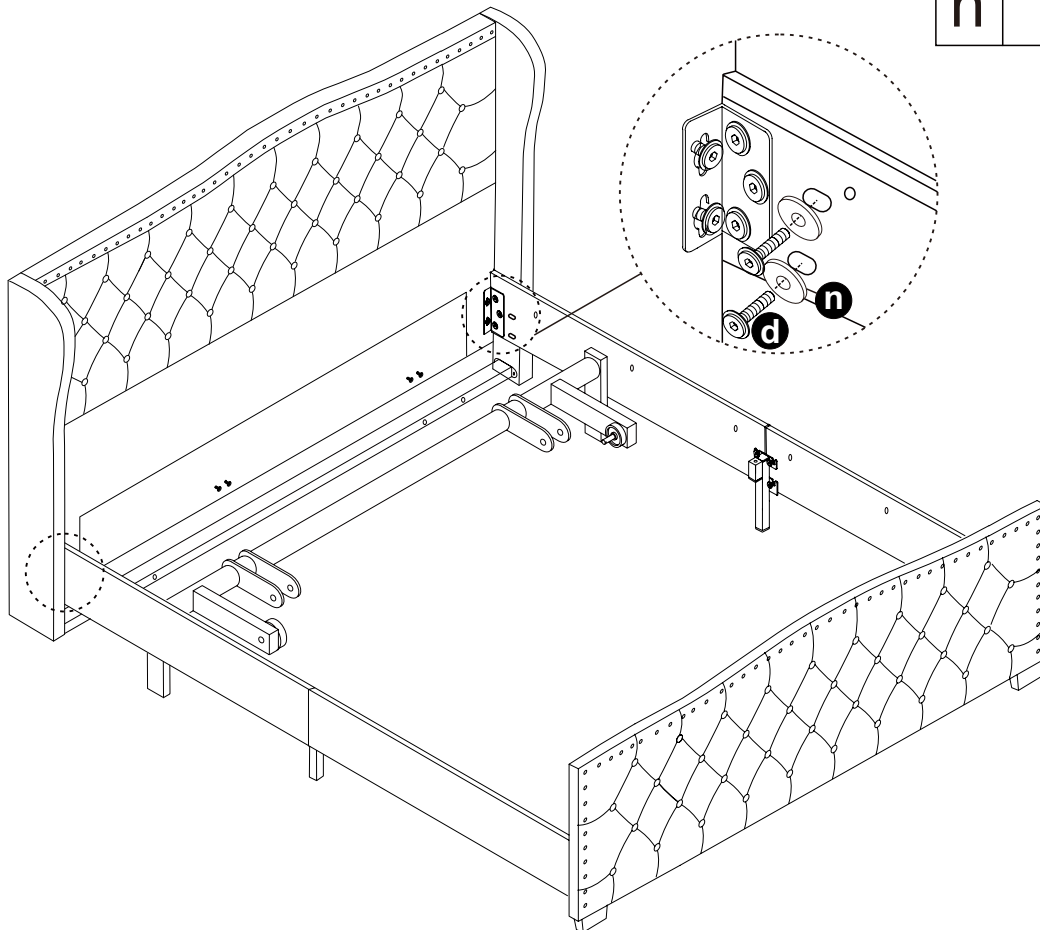


4PCS

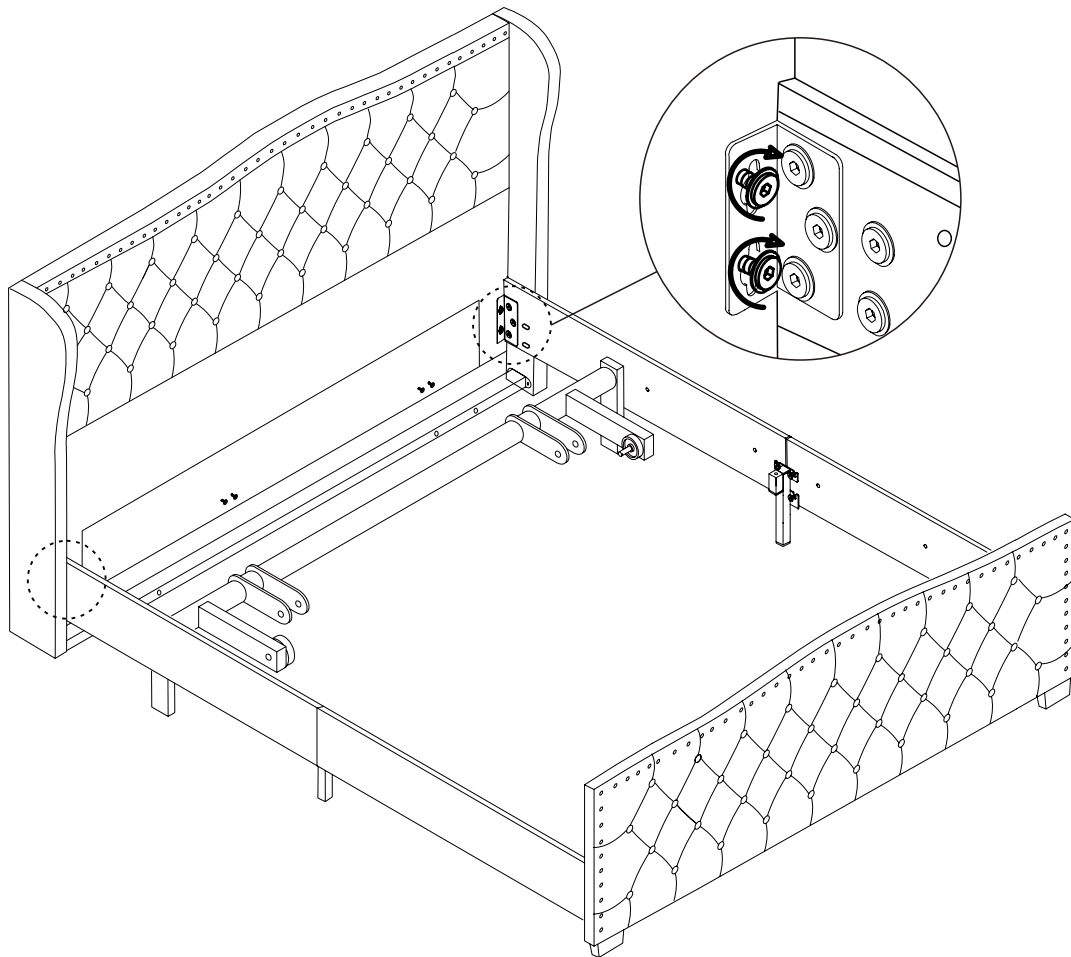
n



4PCS

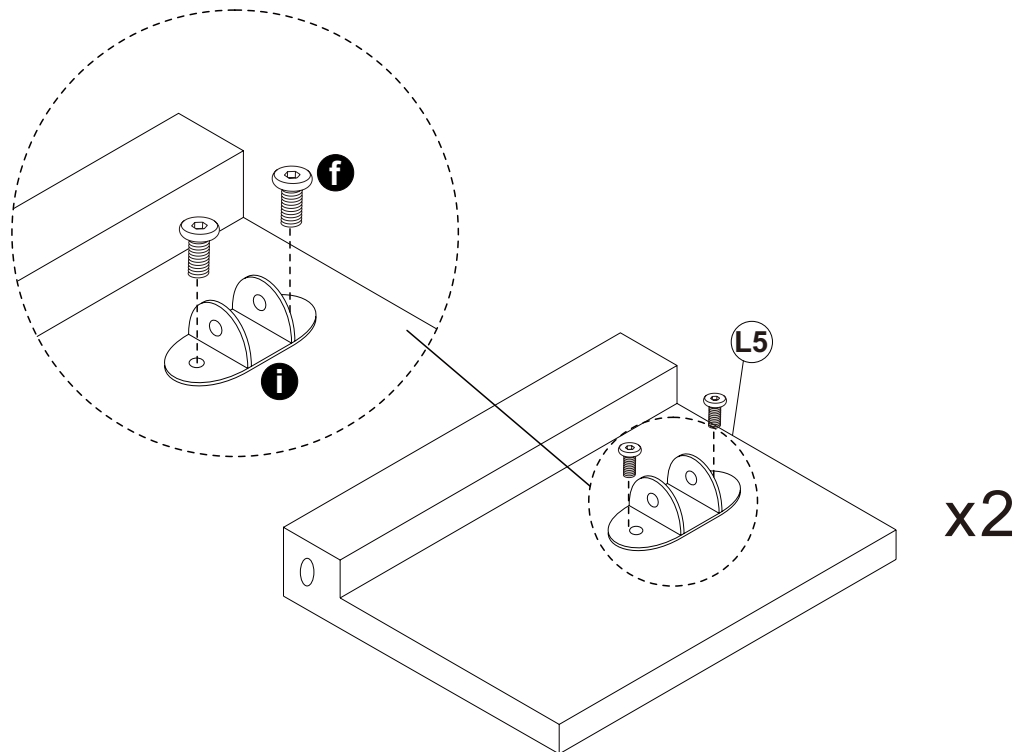


# step15



# step16

<b>f</b>	 M8*18	4PCS
----------	--	------

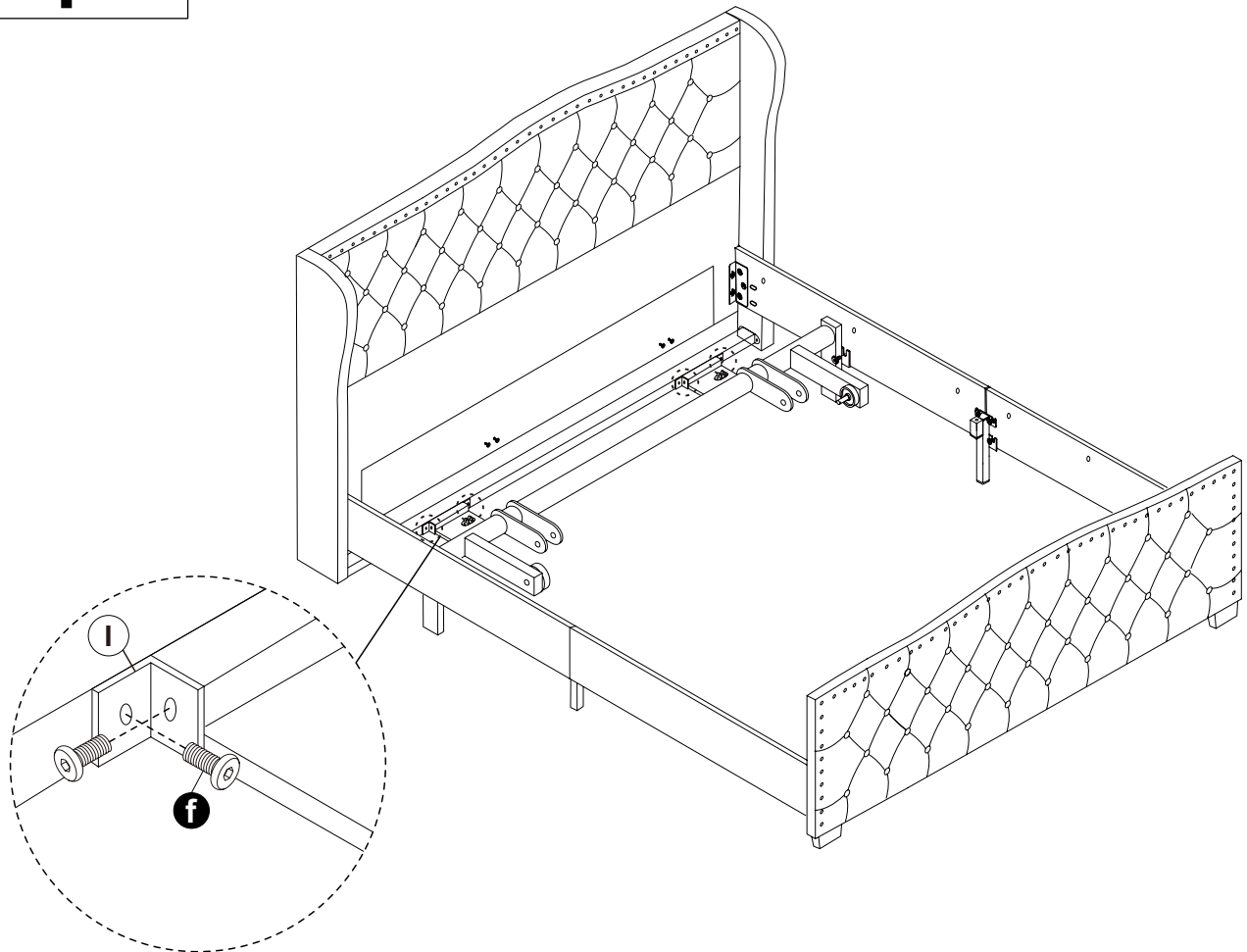


# step17

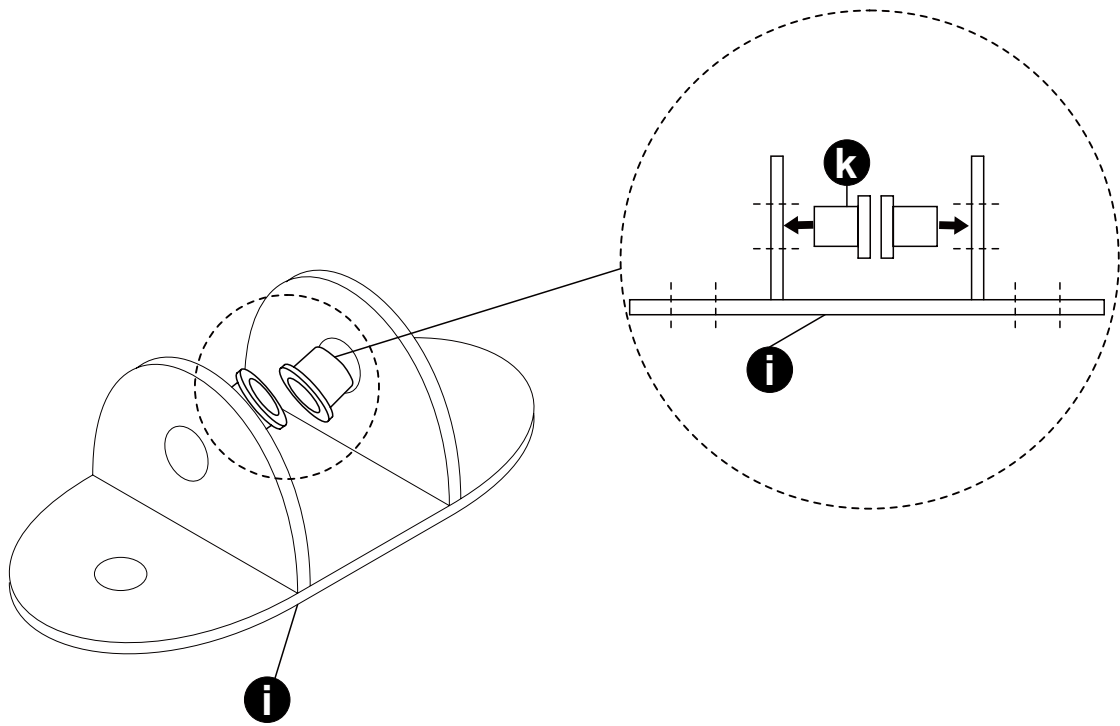
f



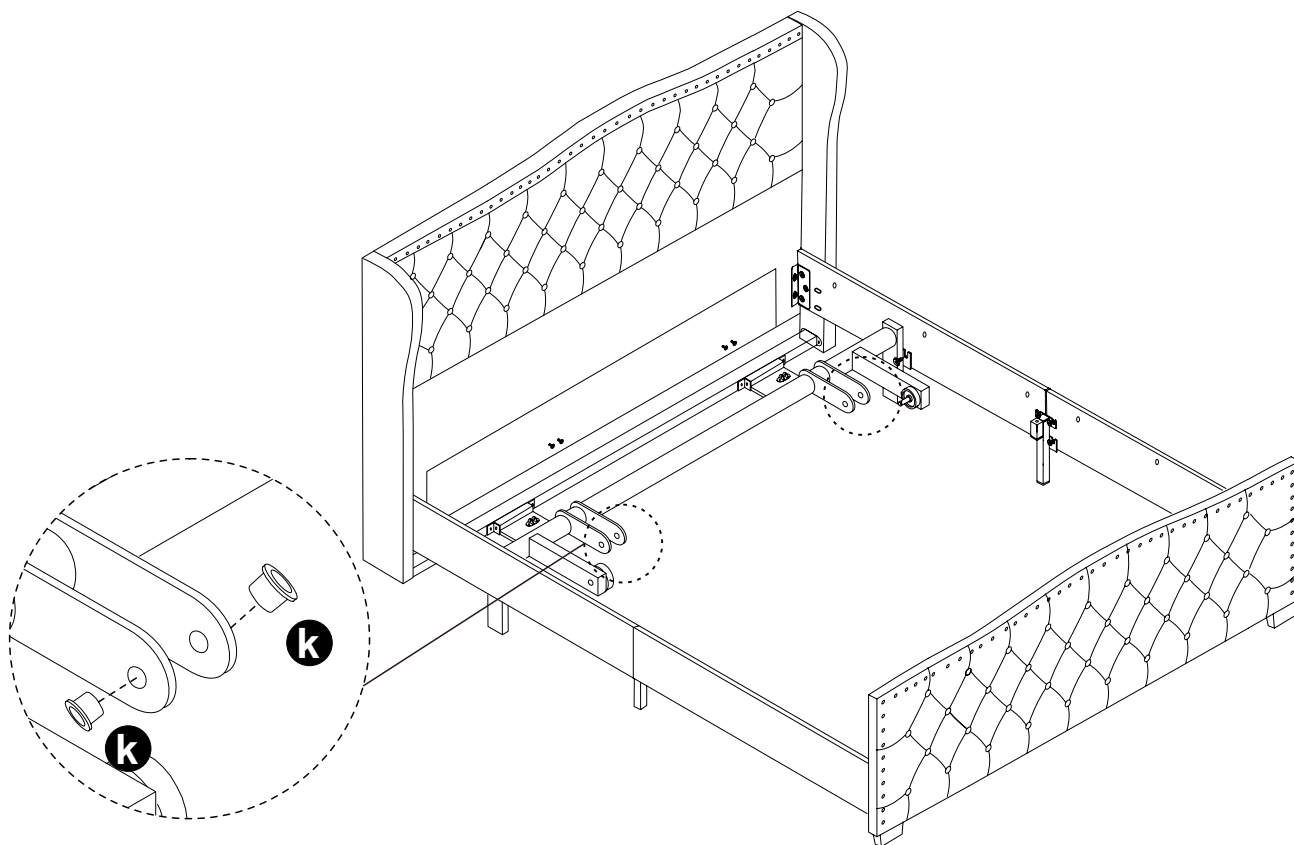
8PCS



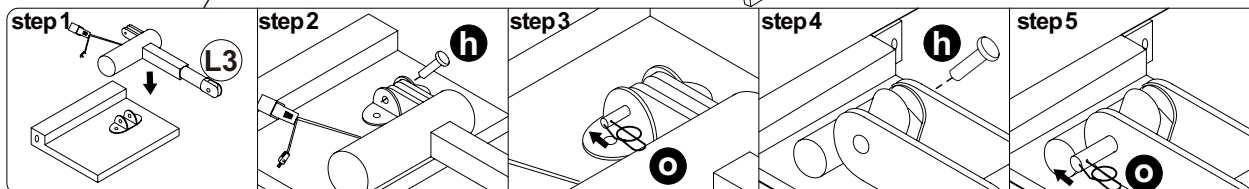
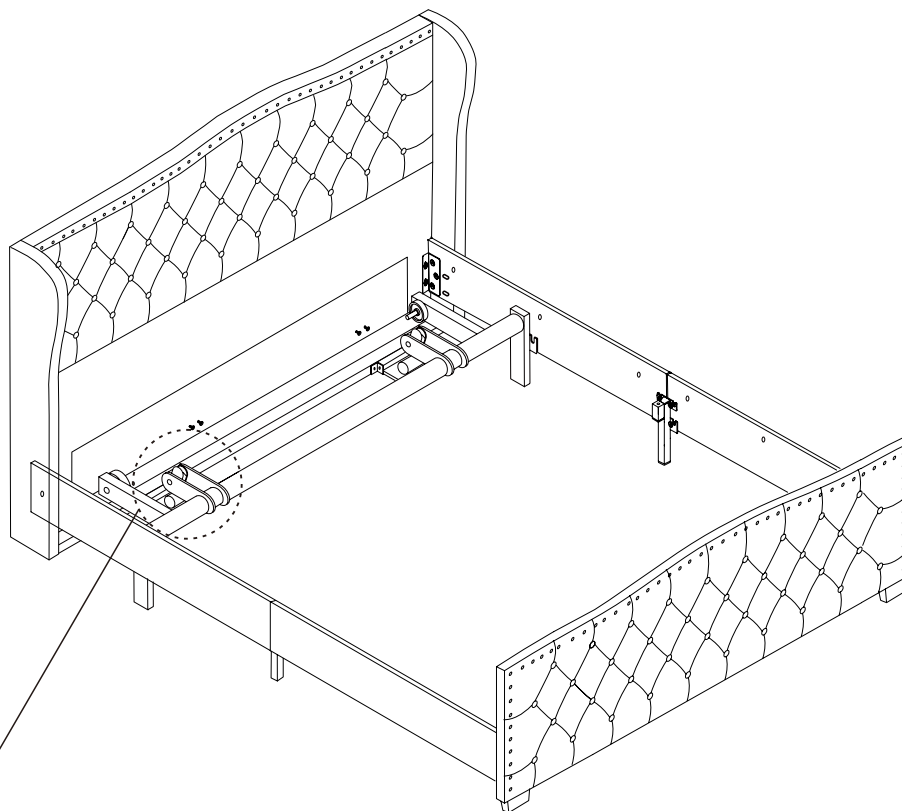
# step18



# step19

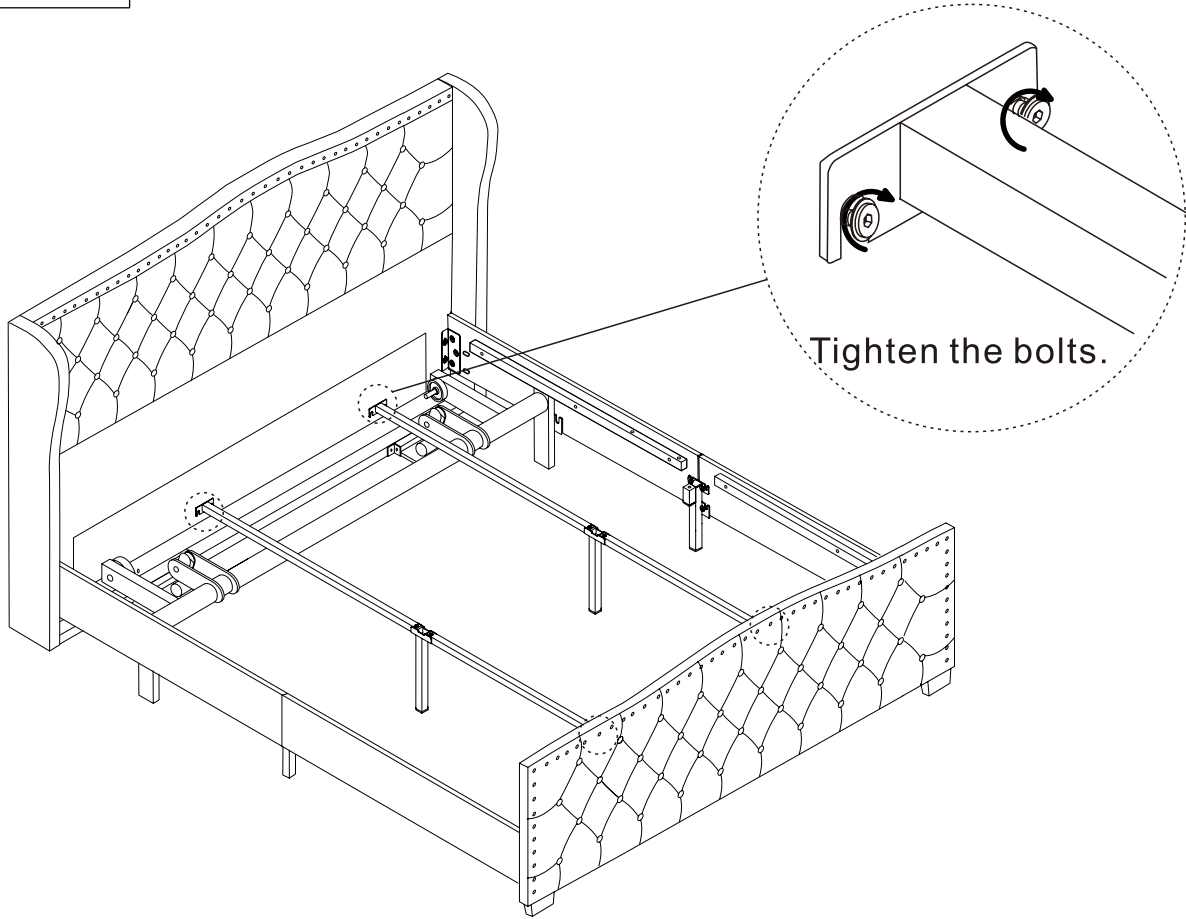


# step20



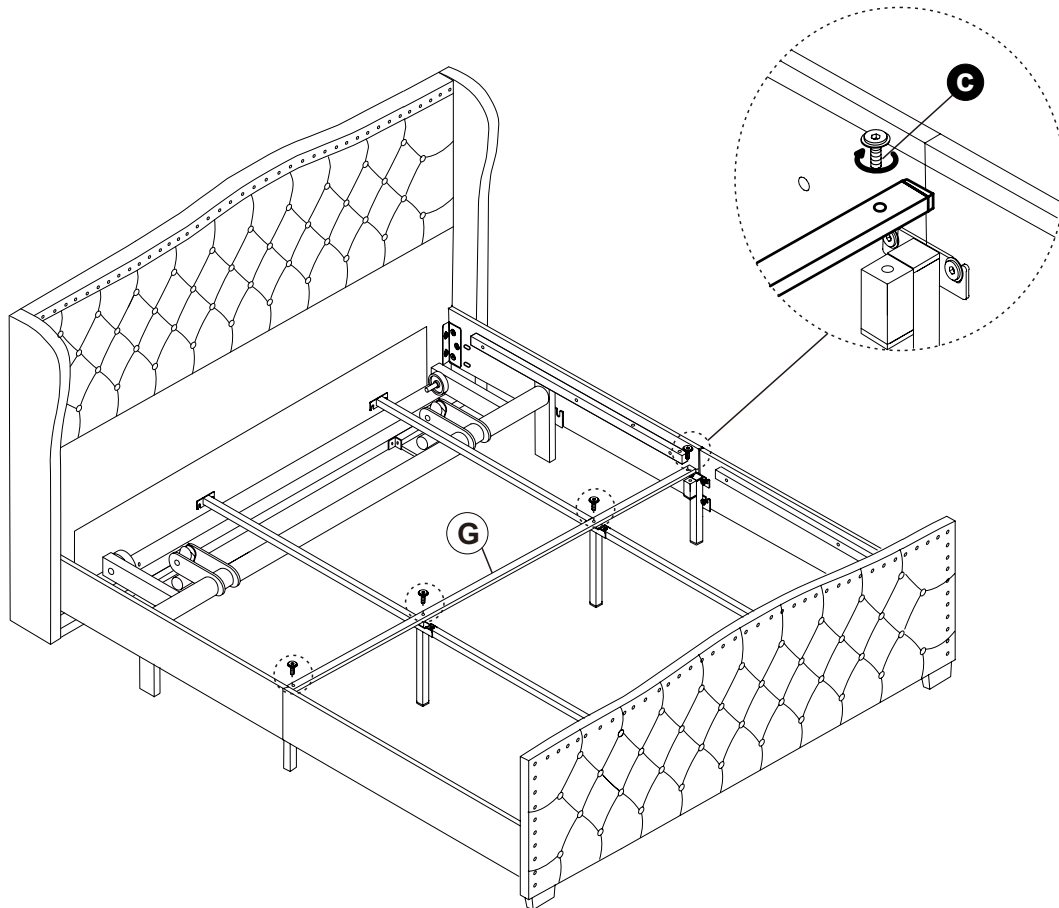


# step23

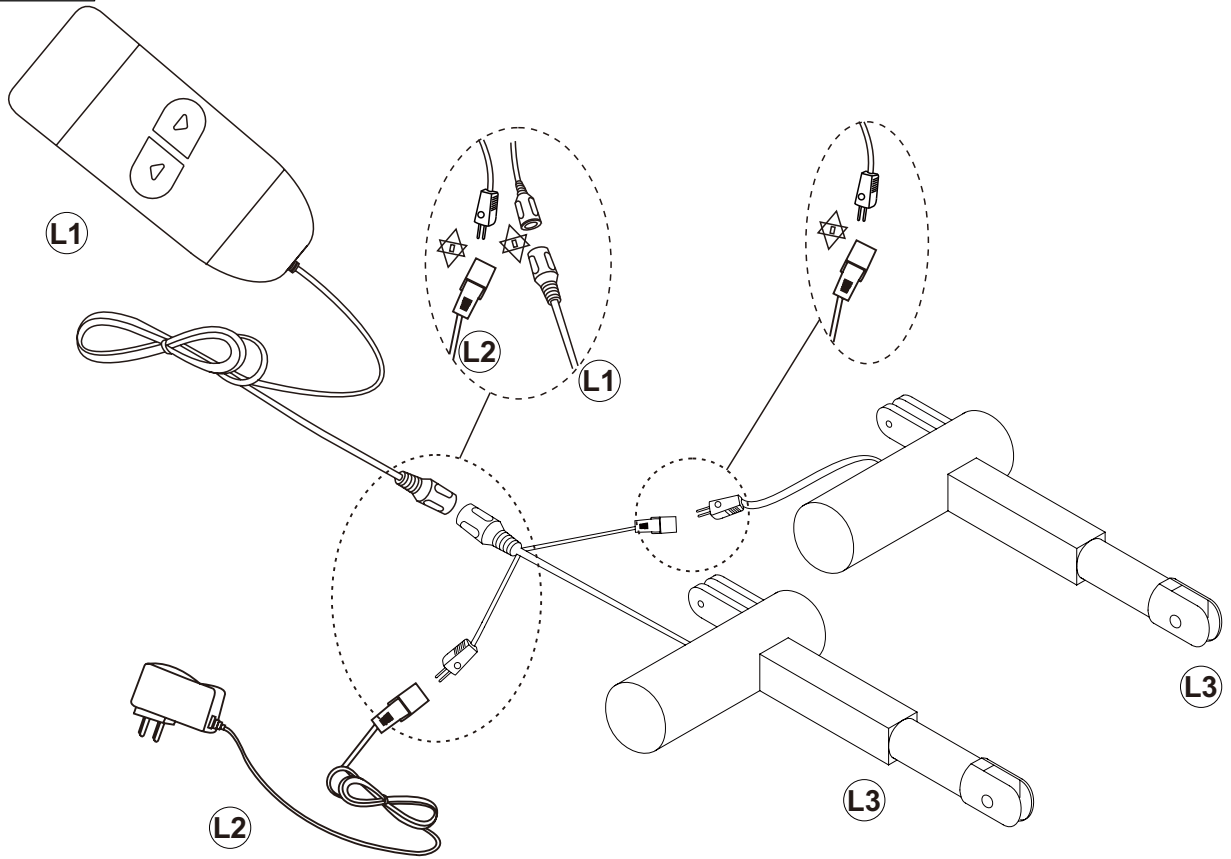


# step24

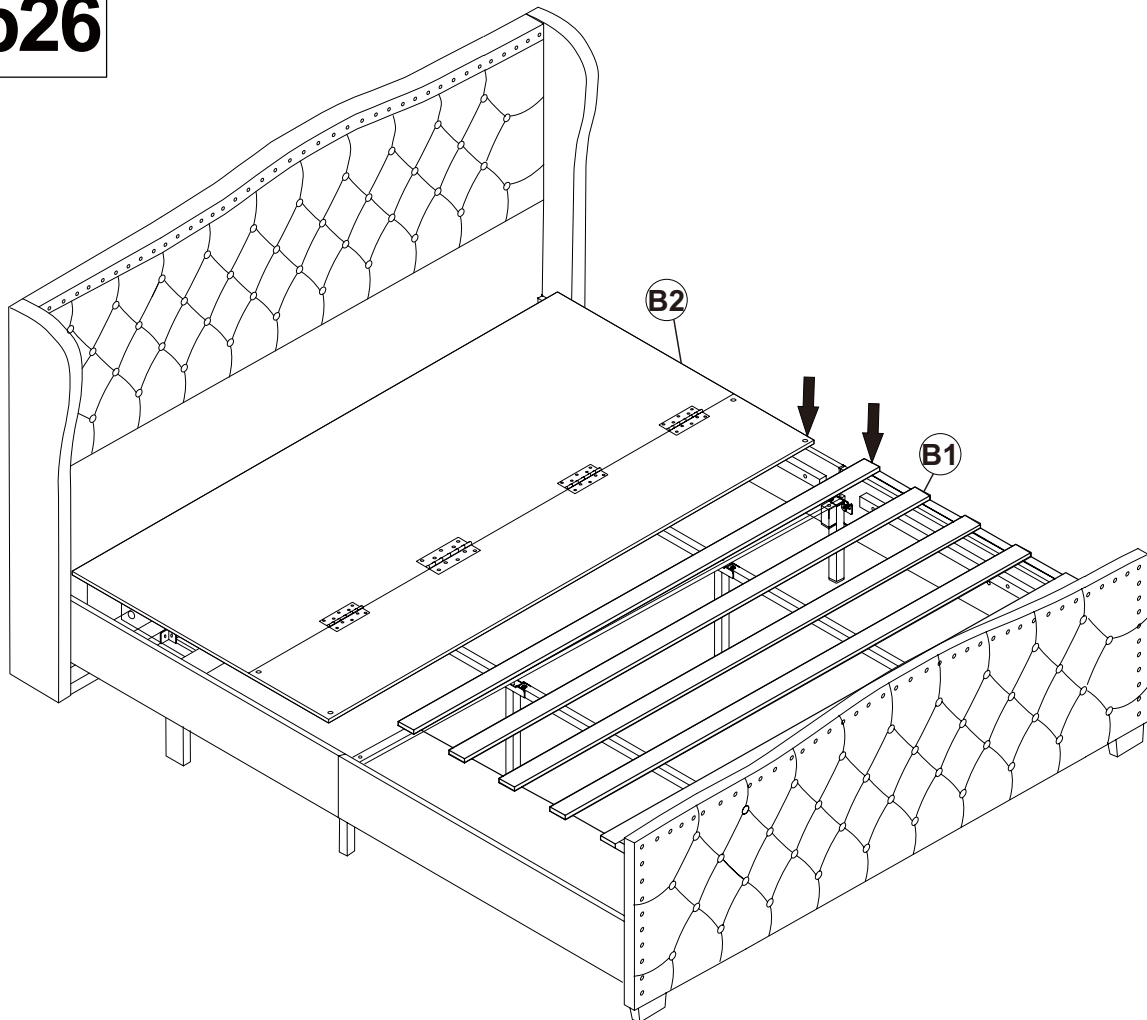
C	 M8*35	4PCS
---	--	------



# step25



# step26

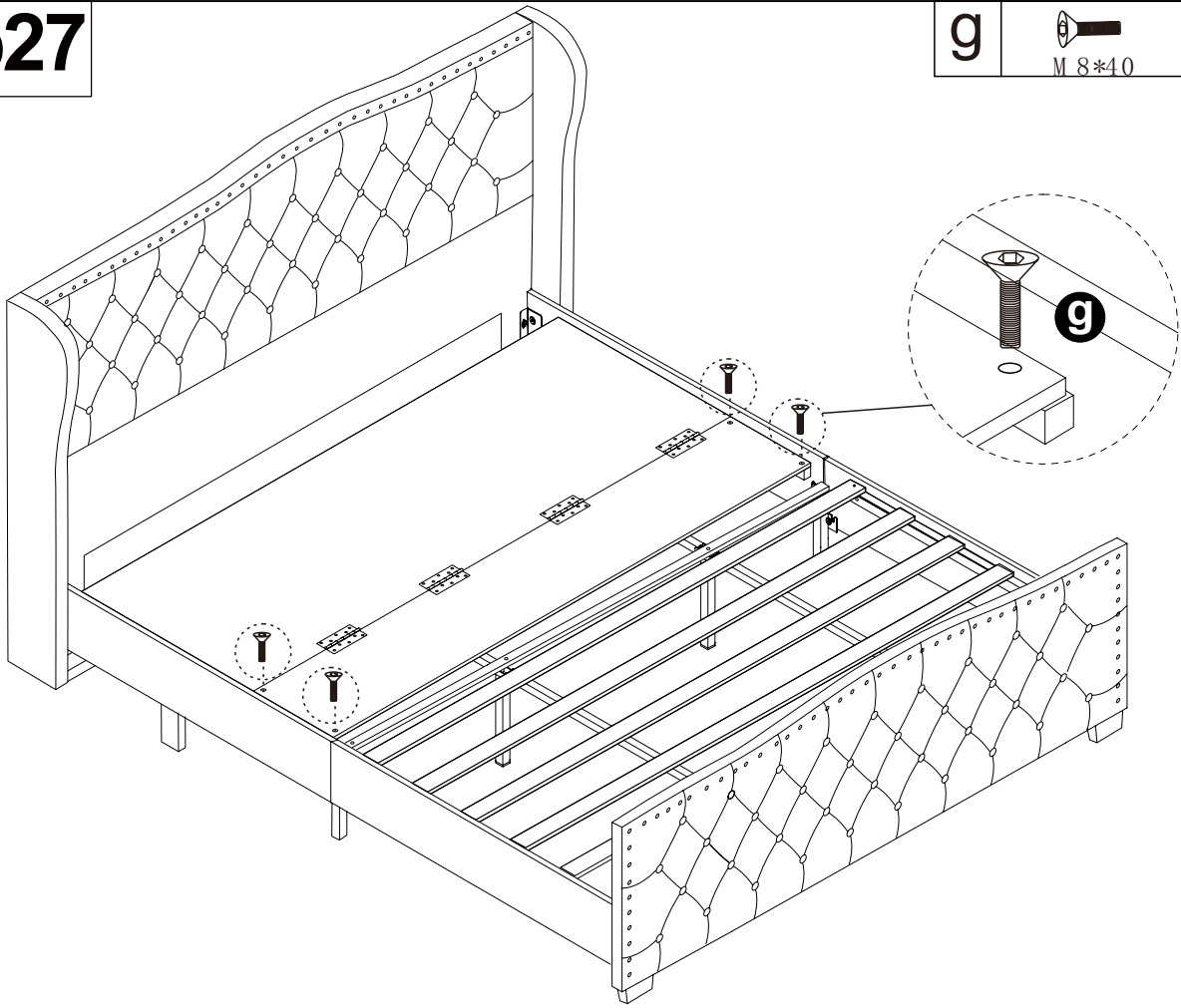


# step27

g

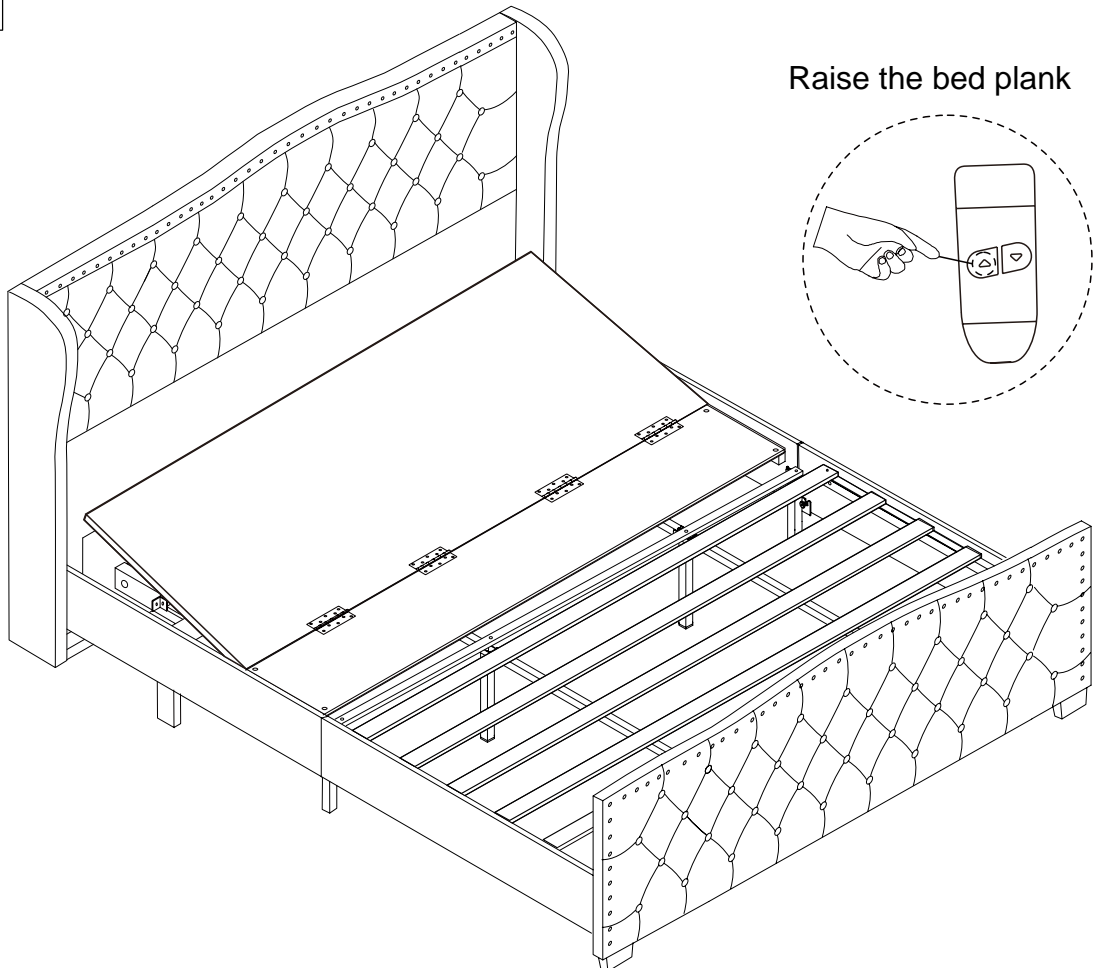
M 8\*40

4PCS



# step28

Raise the bed plank



# step29

