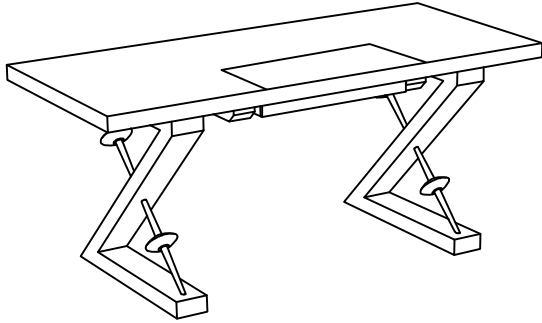
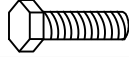

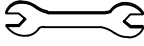


# ASSEMBLY INSTRUCTION



NO.:	HARDWARE LIST	Q'TY
A	 25mm	16
B	 Ø25mm	16
C		1

