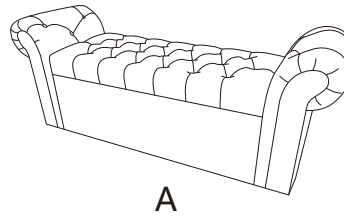


ROYAL STORAGE BENCH ASSEMBLY INSTRUCTIONS

PARTS PACKING CONFIGURATIONS

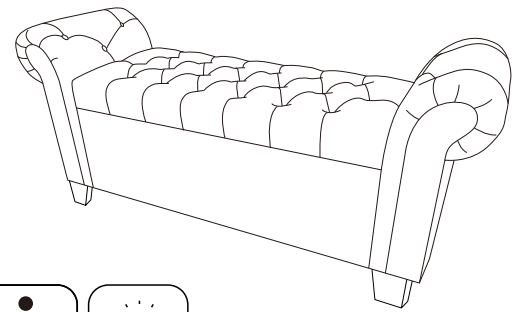
- A. STORAGE BENCH
- B. LEG

1 PC
4 PCS

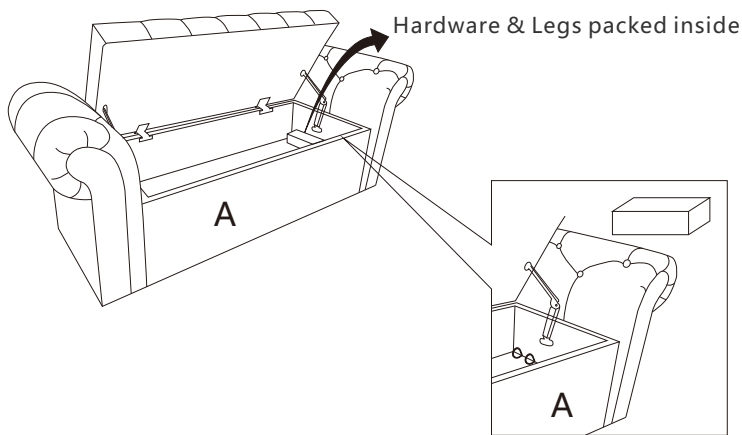


HARDWARE PACKED IN CARTON

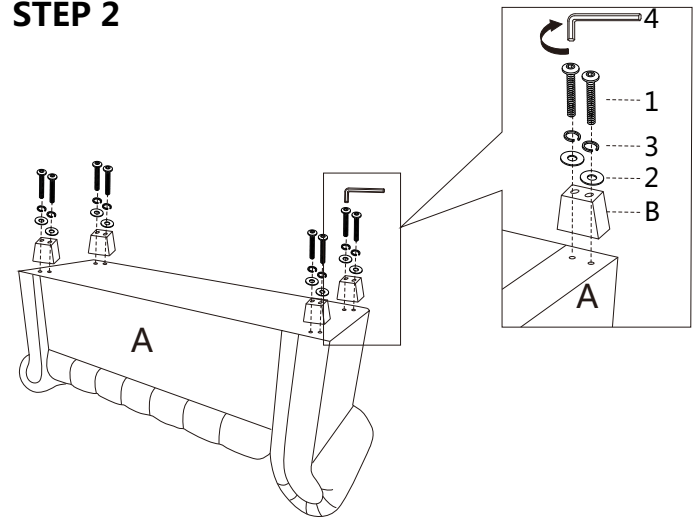
NO	DESCRIPTION	IMAGE	QUANTITY
1	ALLEN BOLT(5/16"x2-3/4")		8 PCS
2	FLAT WASHER(5/16")		8 PCS
3	LOCK WASHER(5/16")		8 PCS
4	ALLEN KEY(5/16")		1 PC



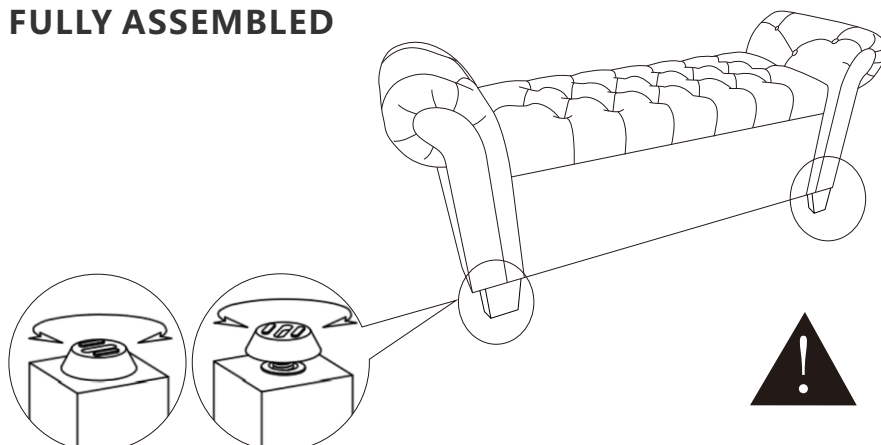
STEP 1



STEP 2



FULLY ASSEMBLED



WARNING:

Maximum seating load capacity - 500LBS
 Storage load capacity - 100LBS
 Standing or jumping on this product may result in damage or injury.
 Do not allow children to play on or in this product.

