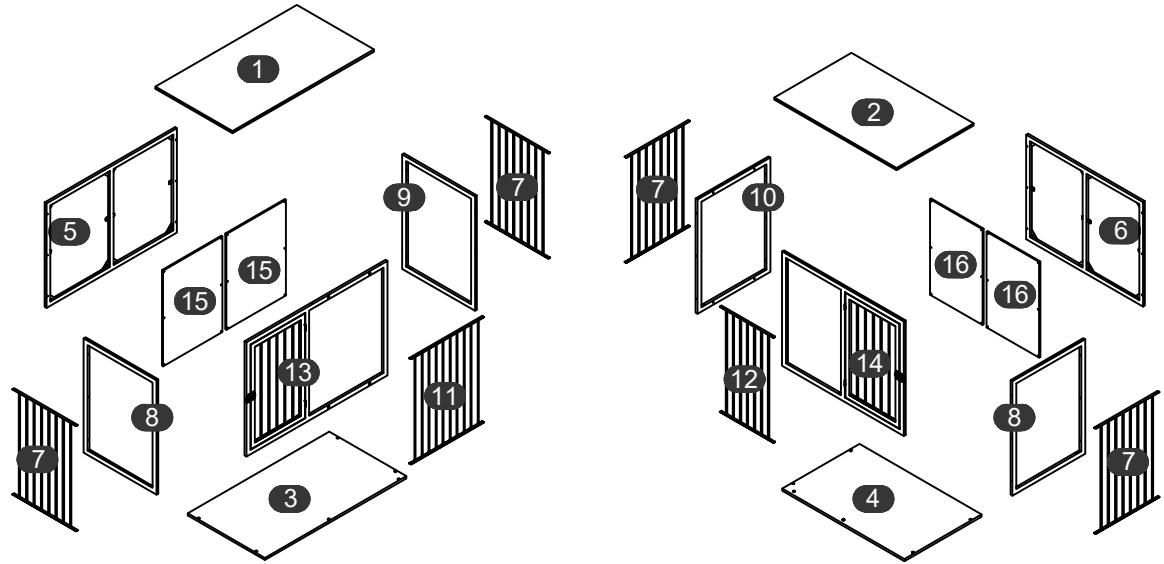
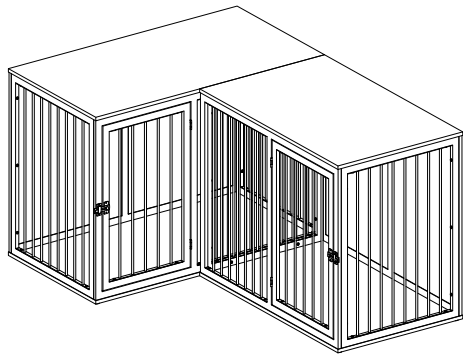







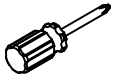


Accessories

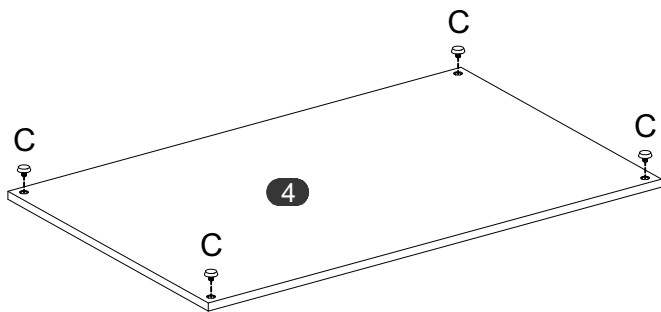
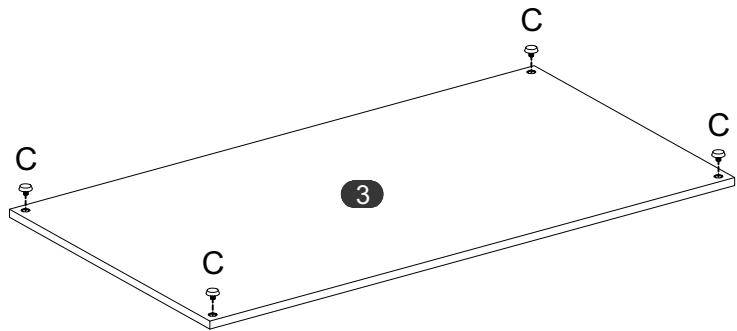
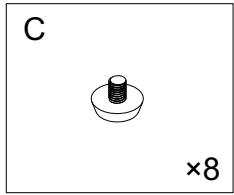
Pet Cage Instructions



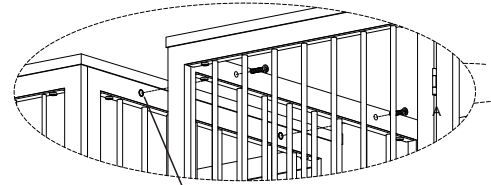
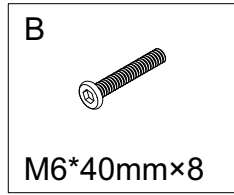
<p>A</p>  <p>M6*25mm x4</p>	<p>B</p>  <p>M6*40mmx48</p>	<p>C</p>  <p>x8</p>	<p>D</p>  <p>x1</p>
<p>E</p>  <p>M4*16mm x24</p>	<p>F</p>  <p>M4x24</p>	<p>G</p>  <p>x1</p>	<p>H</p>  <p>x1</p>

Installation Steps

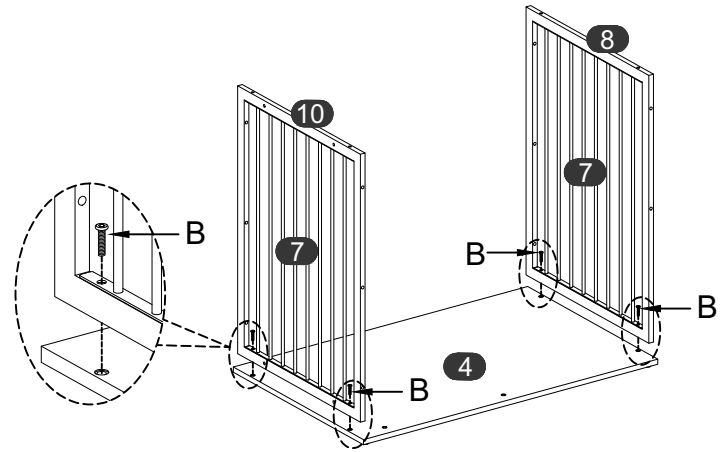
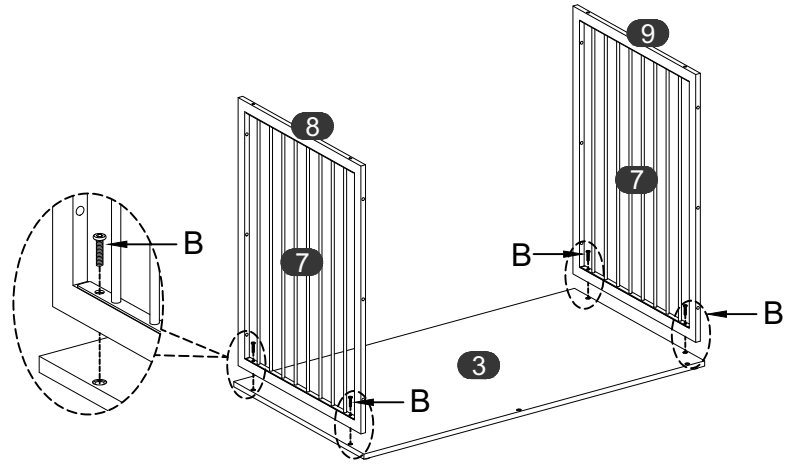
1



2

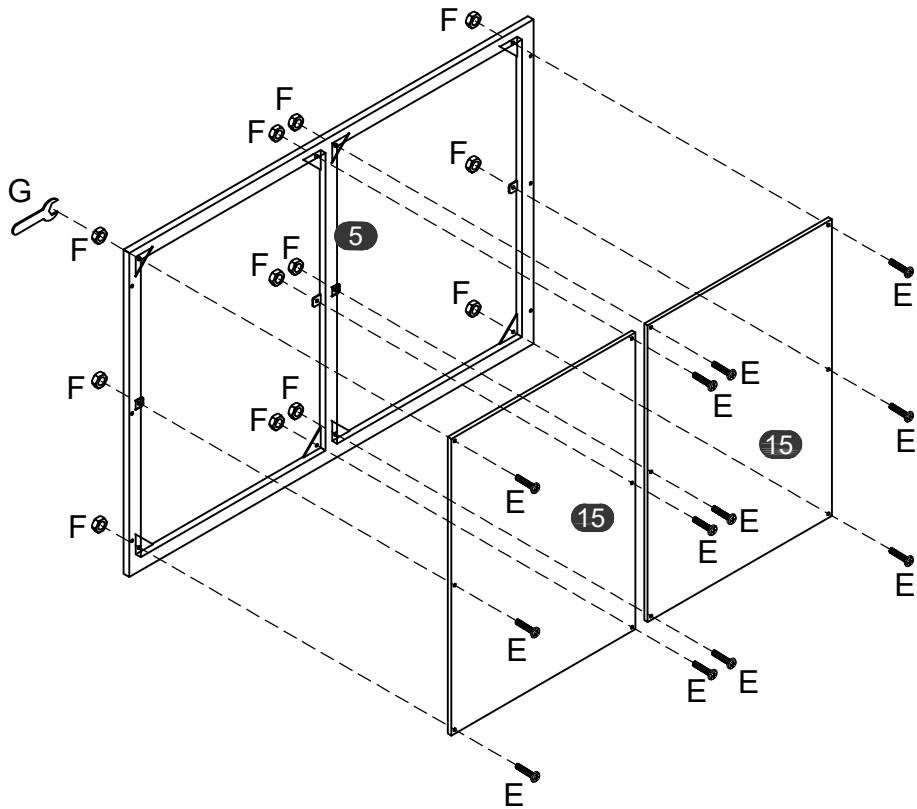
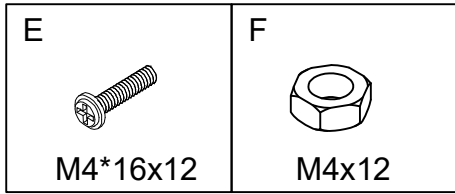


Note: A frame with nut holes on the side, with the holes facing the outside.

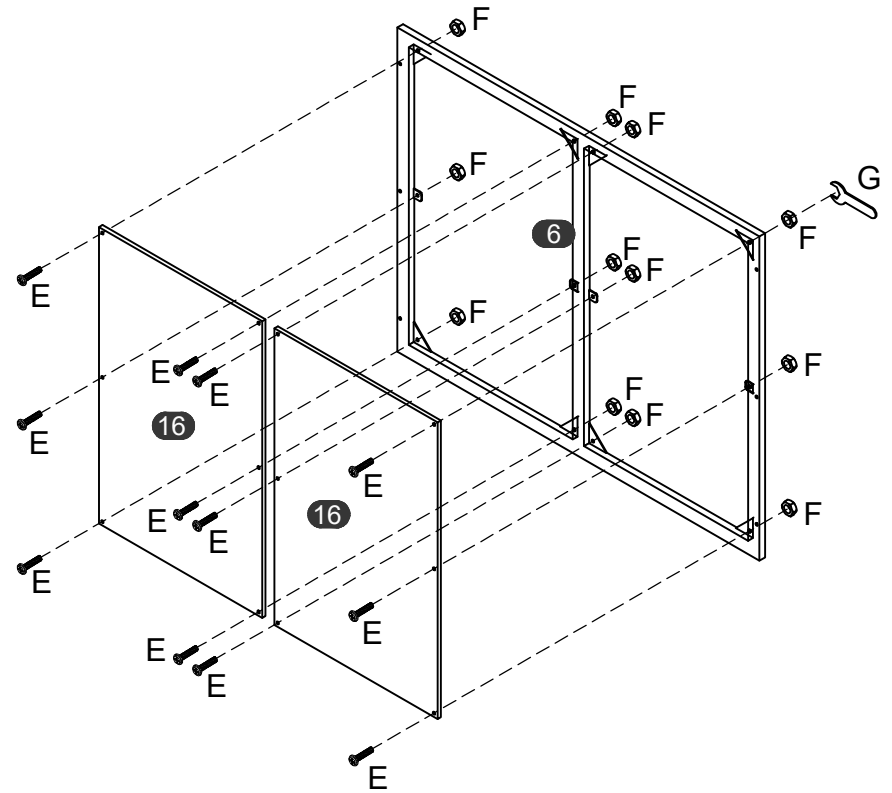
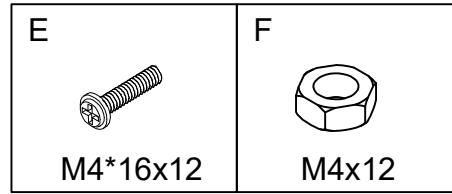


Installation Steps

3

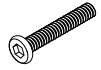


4



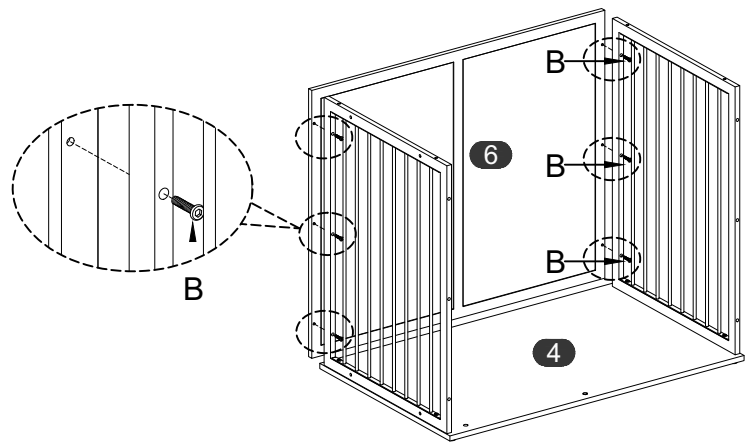
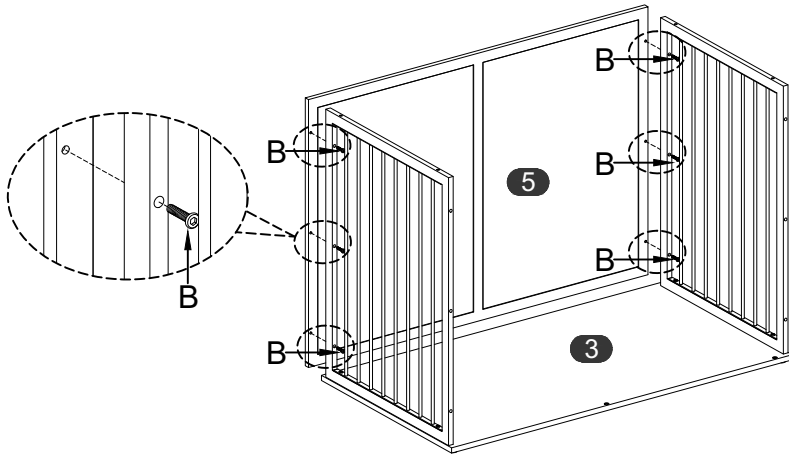
5

B



M6*40mm×12

Note:When tightening screws, align all holes and tighten.

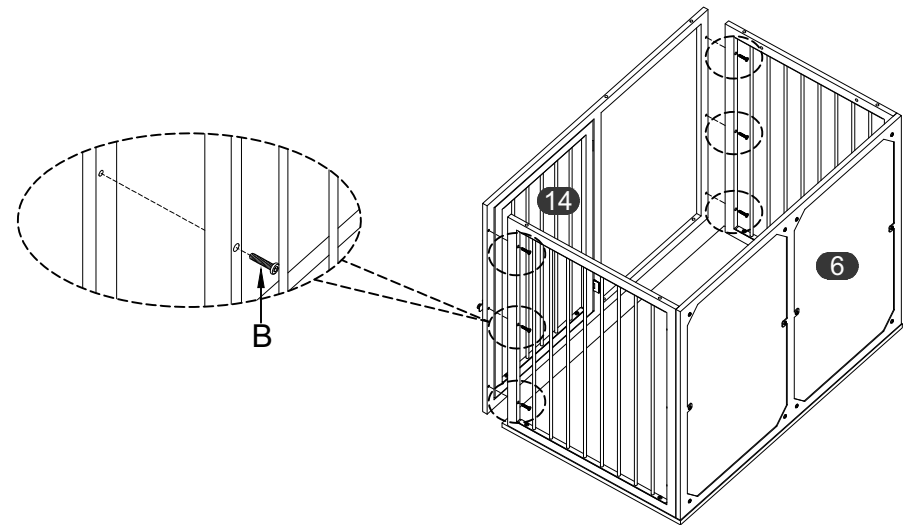
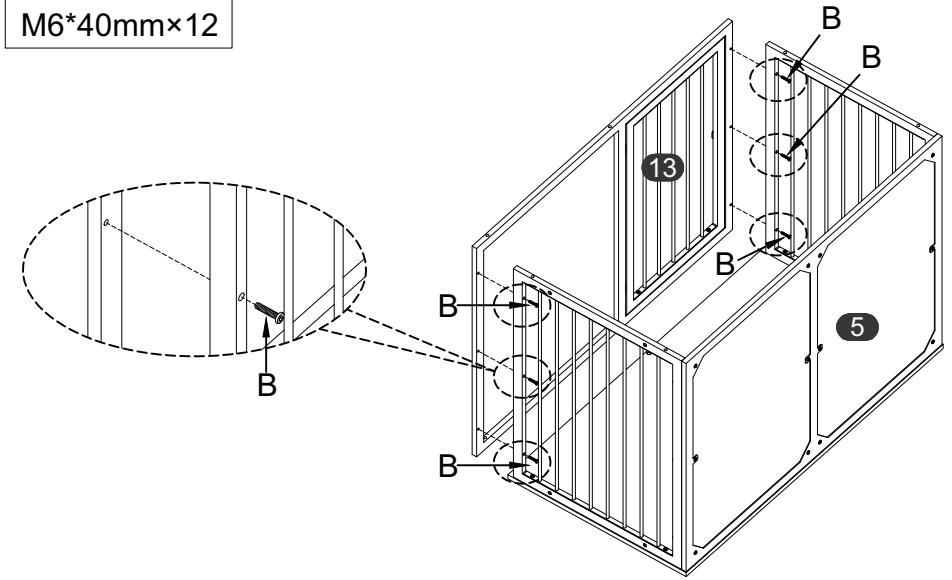


6

B



M6*40mm×12

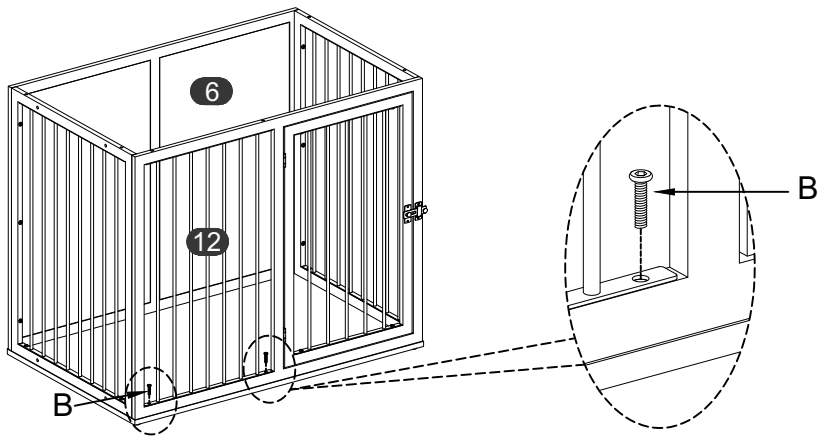
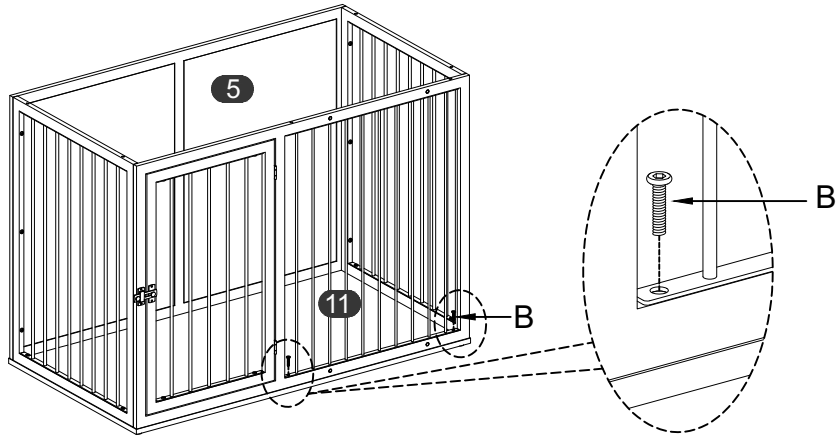


7

B

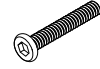


M6*40mm×4

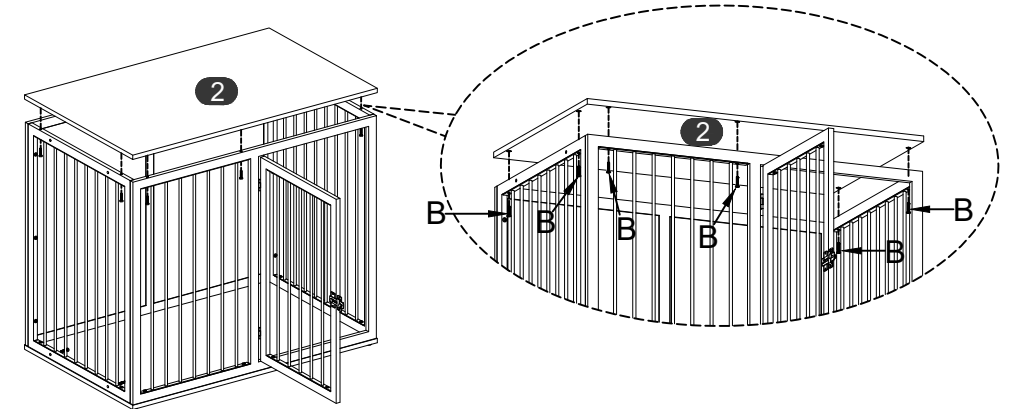
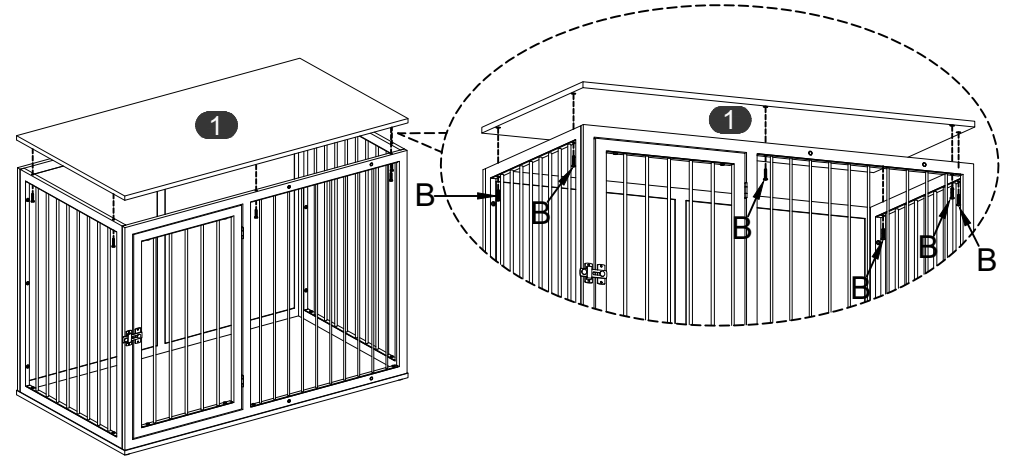


8

B



M6*40mm×12

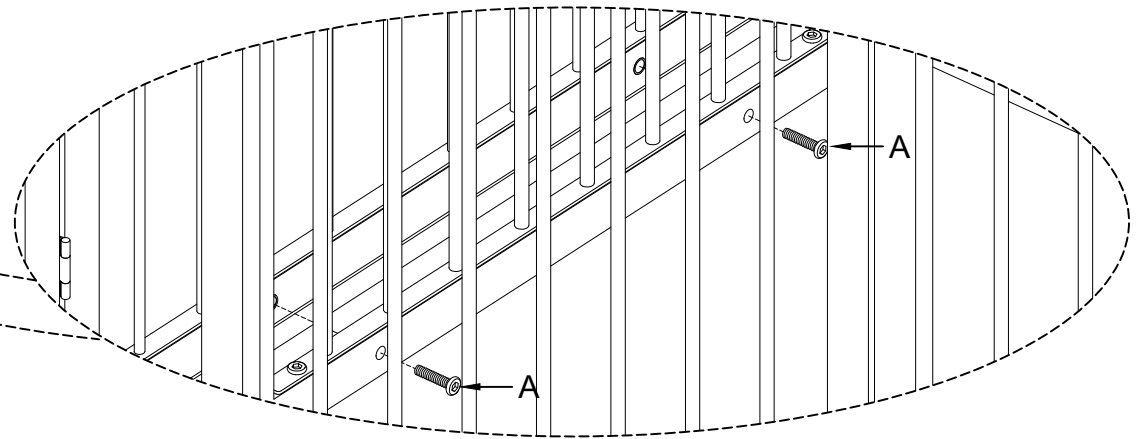
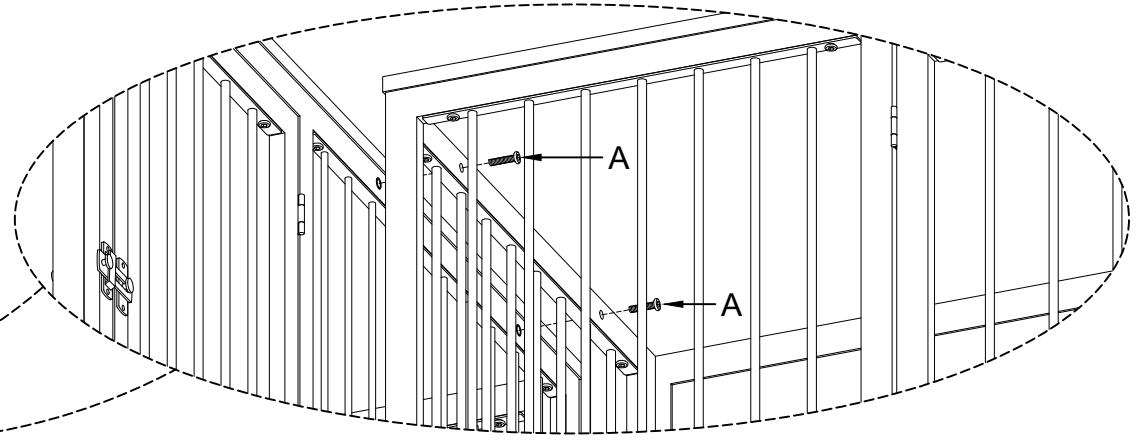
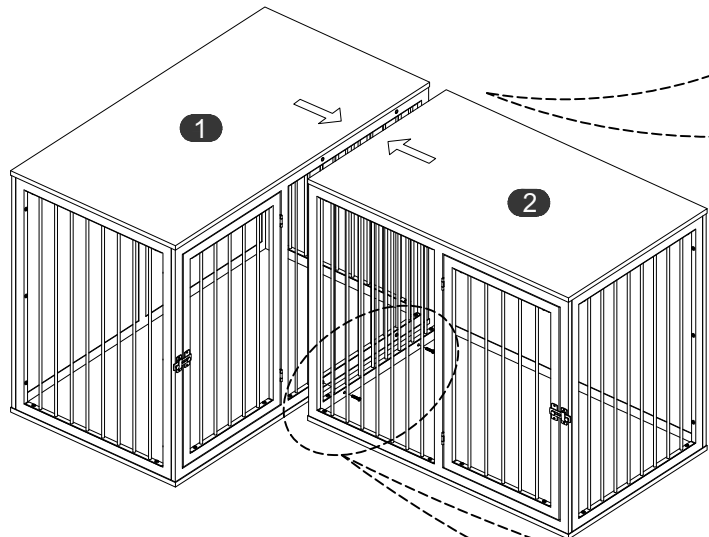


9

A



M6*25mm×4



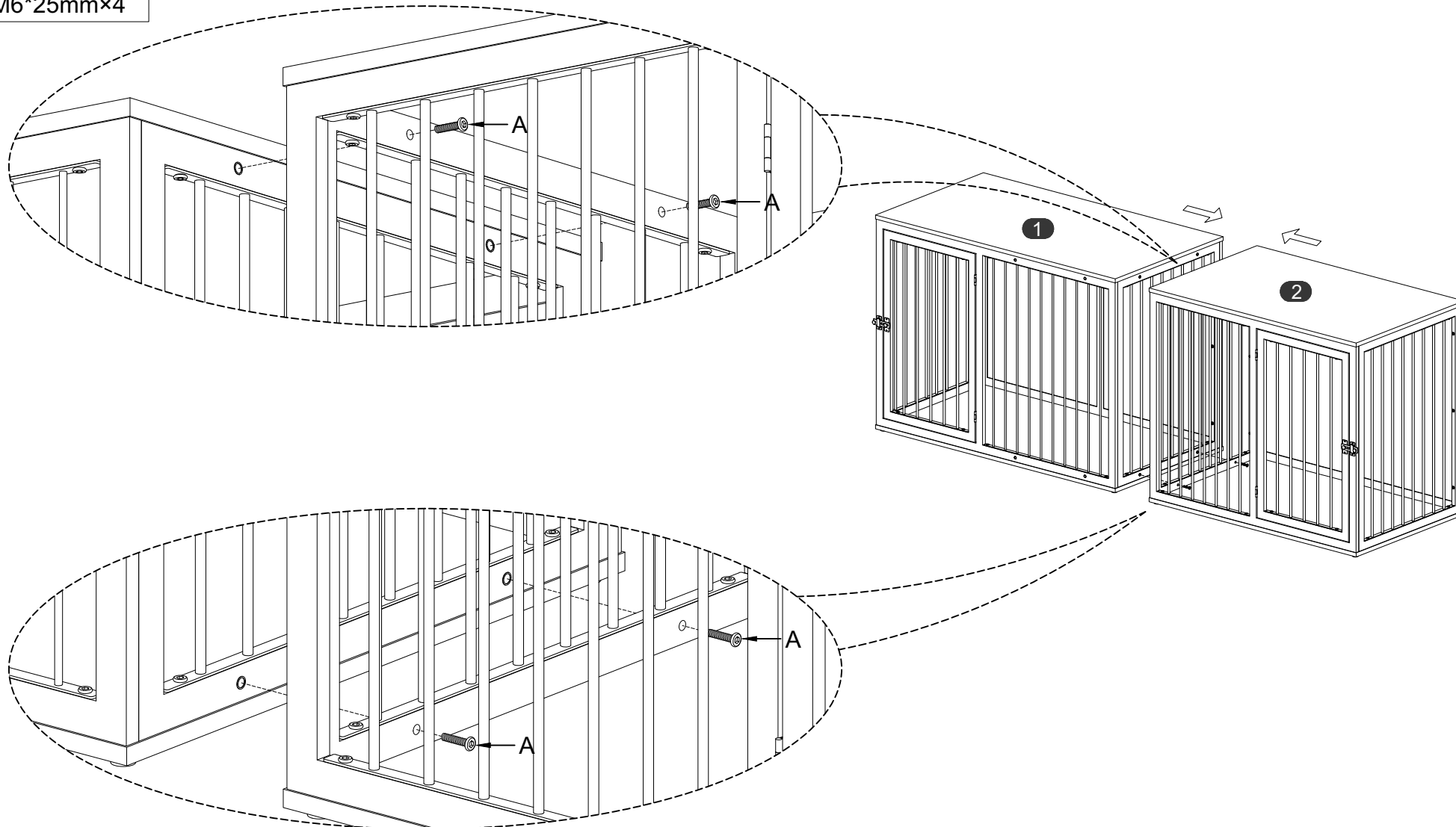
Note: You can remove the iron frame in the middle and then re fix the screws to connect the two dog cages and use them as one large dog cage.

OR

A



M6*25mm×4



Note: You can remove the iron frame in the middle and then re fix the screws to connect the two dog cages and use them as one large dog cage.