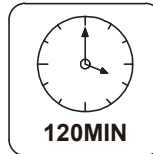
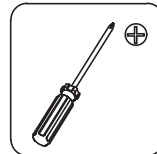
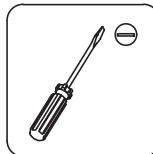
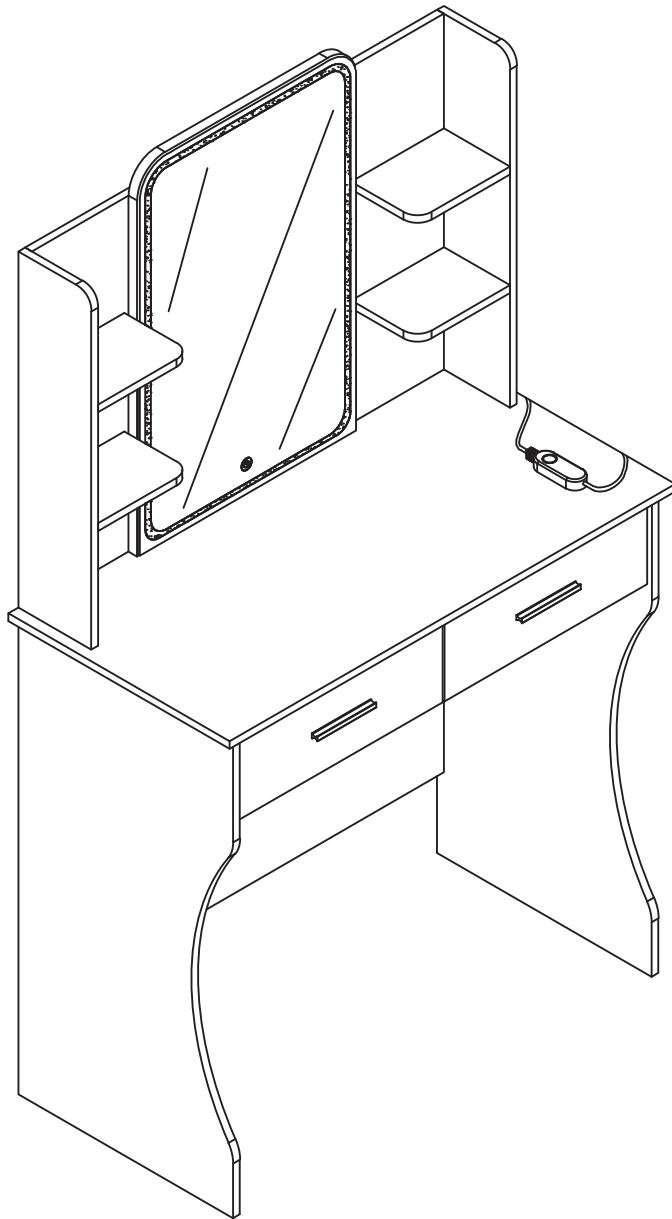


Installation & Assembly



EN_IMPORTANT, RETAIN FOR FUTURE REFERENCE: READ CAREFULLY.

. THANK YOU FOR PURCHASE! .

FREE REPLACEMENT PARTS AVAILABLE!



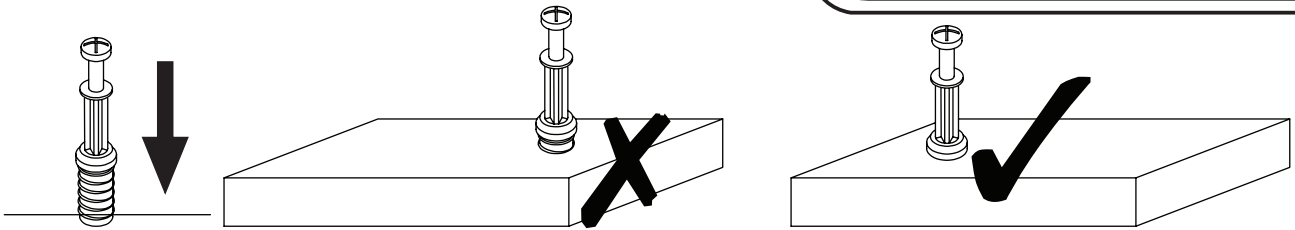
If you're experiencing any issues—whether due to shipping, assembly, or any other reason
—we're here to help.

For any damaged or missing components, we're happy to provide FREE replacement parts.

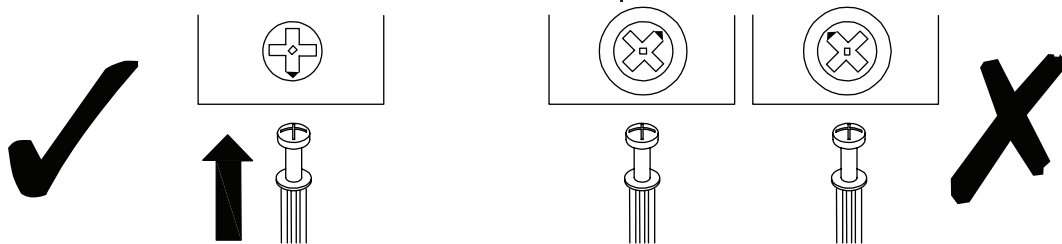
WANT TO CONTACT US

- ▶ Log in to your account.
- ▶ Go to “Your Orders” and locate your furniture order.
- ▶ Click on “Get Help with Order” to send us a message directly.

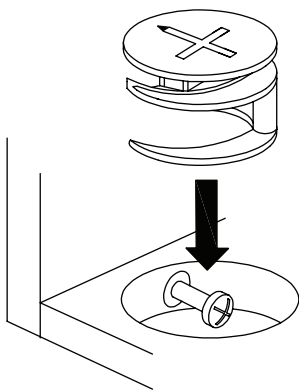
Our customer support team is ready to assist you and we will respond within
12-24 HOURS to resolve your concerns quickly!



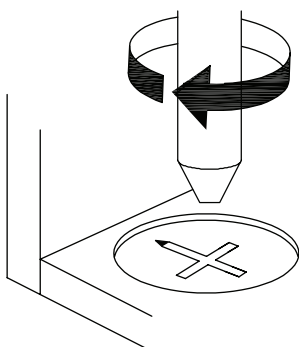
EN_QUICKFIT: Tighten quickfit until shoulder is flush with panel. Do not overtighten or undertighten.




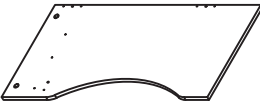


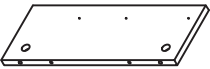
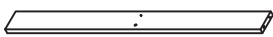
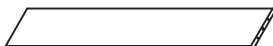
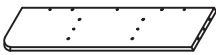
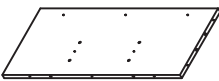
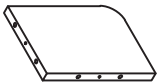
EN_CAM LOCK: When fitting cam lock, ensure starting position is correct before you insert connecting quickfit.



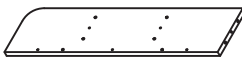
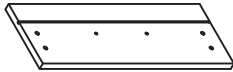
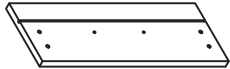



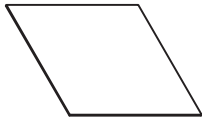



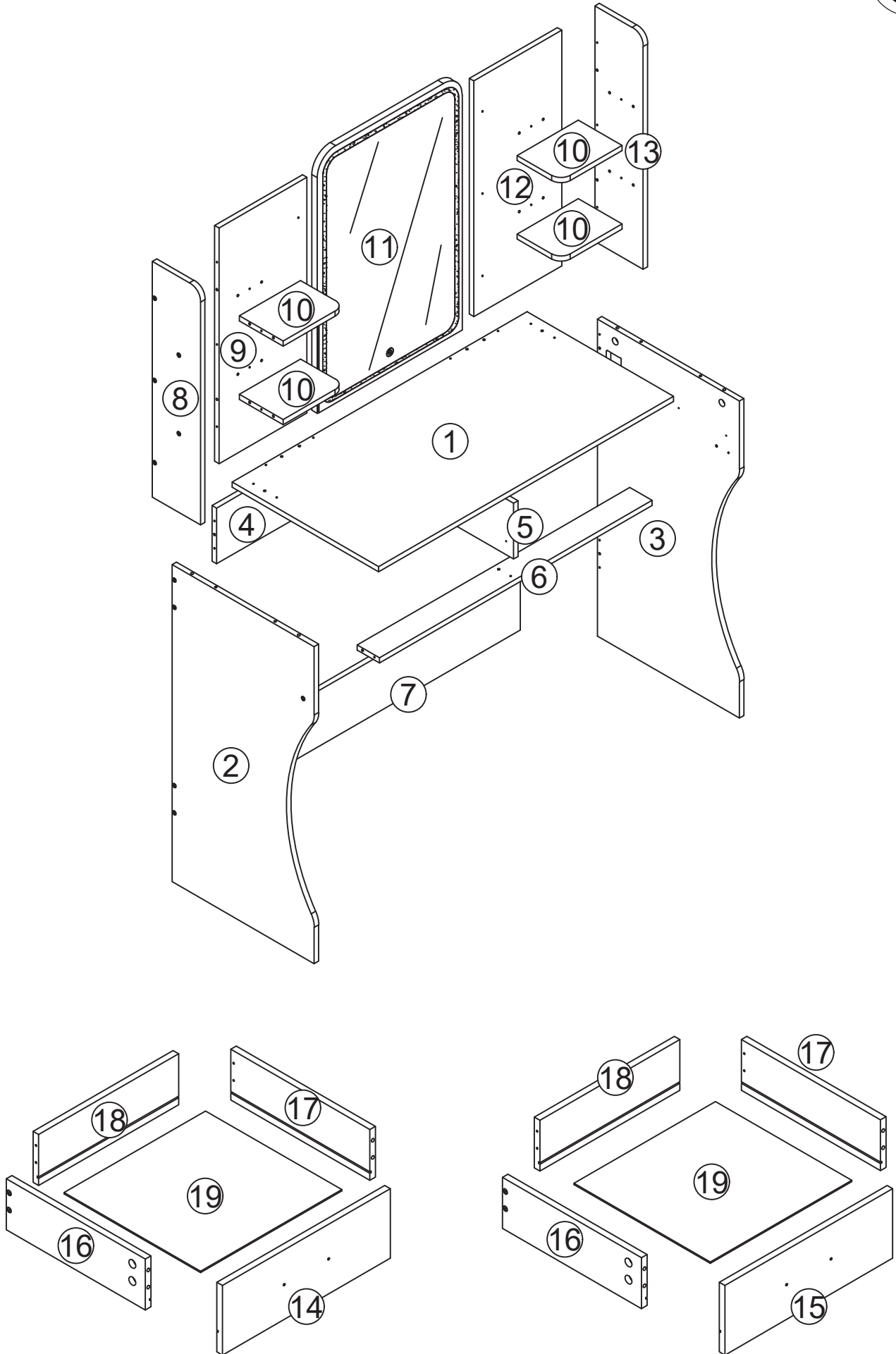
EN_Quickfit head should be in the centre of the cam lock when the two panels are joined.
Cam lock should be inserted before quickfit.

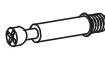





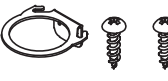

















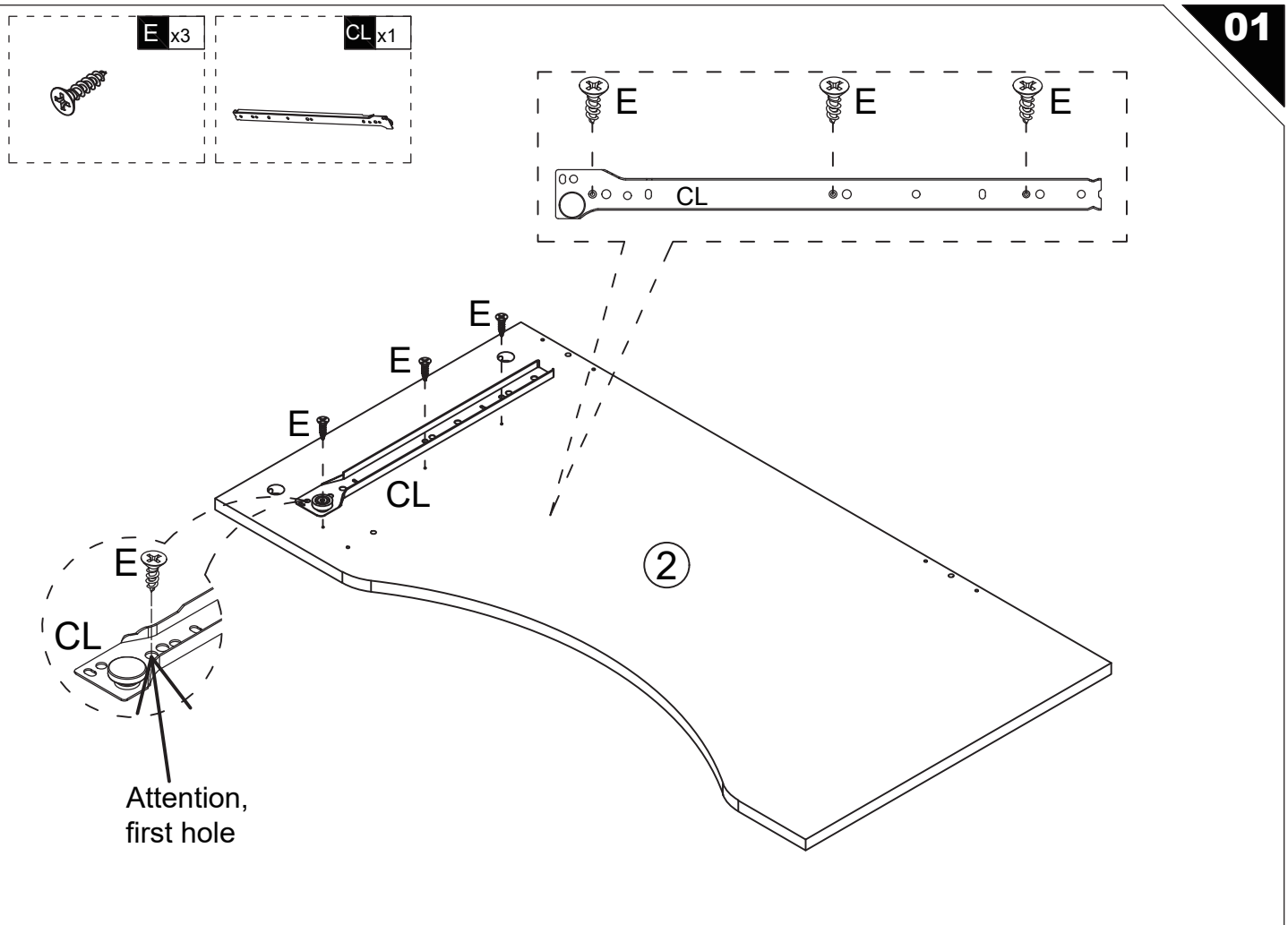
EN_Turn cam lock clockwise to tighten.

NO.	PARTS	QTY	SPARE
①		x1	
②		x1	
③		x1	
④		x1	
⑤		x1	
⑥		x1	
⑦		x1	
⑧		x1	
⑨		x1	
⑩		x4	

NO.	PARTS	QTY	SPARE
⑪		x1	
⑫		x1	
⑬		x1	
⑭		x1	
⑮		x1	
⑯		x2	
⑰		x2	
⑱		x2	
⑲		x2	
	 Hardware Kit	x1	

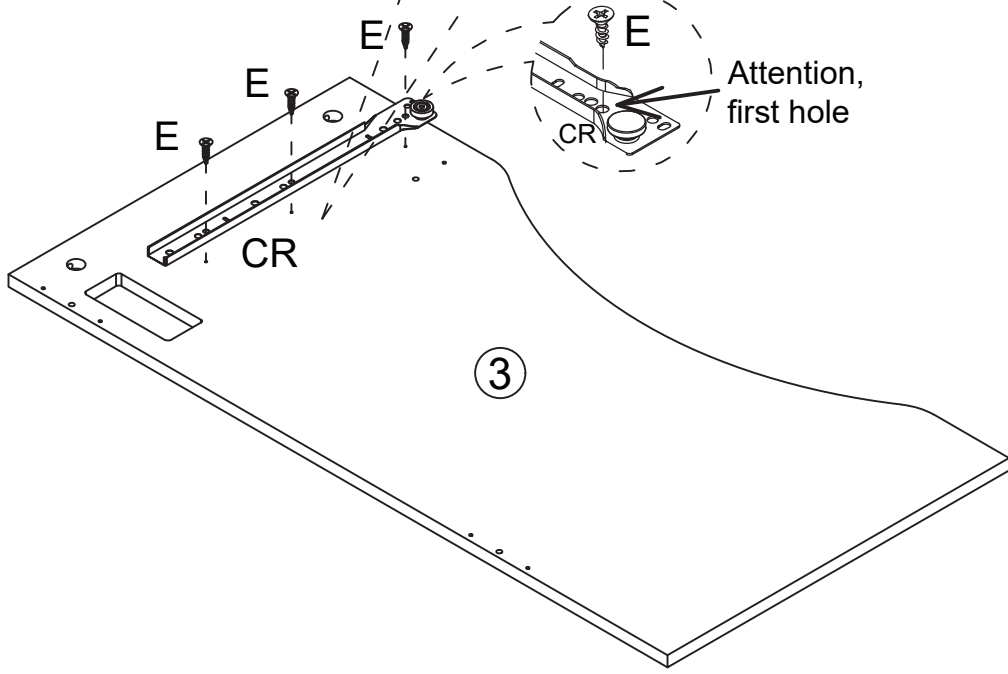
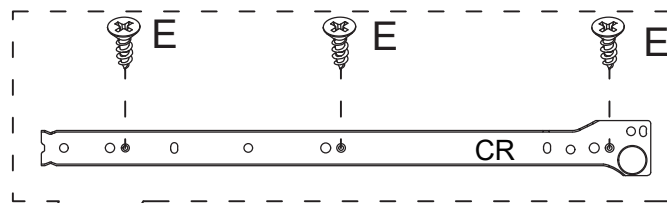


<p>A x16 Ø6x35mm +1(spare)</p> 	<p>B x16 Ø15x10mm +1(spare)</p> 	<p>C x43 Ø6x30mm +2(spare)</p> 	<p>D x44 Ø4x35mm +2(spare)</p> 	<p>E x24 Ø3.5x12mm +2(spare)</p> 	<p>F x2</p> 
<p>G x1</p> 	<p>H x2</p> 	<p>I x6</p> 	<p>J x1</p> 	<p>K x2 Ø3.5x12mm</p> 	<p>L x1</p> 
<p>M x2 Ø6x30mm</p> 	<p>N x2 Ø4x14mm</p> 	<p>O x2</p> 	<p>P x20 +2(spare)</p> 	<p>Q x1</p> 	<p>R x1</p> 
<p>CL x2 L300mm</p> 	<p>CR x2 L300mm</p> 	<p>DL x2 L300mm</p> 	<p>DR x2 L300mm</p> 		



E x3

CRx1

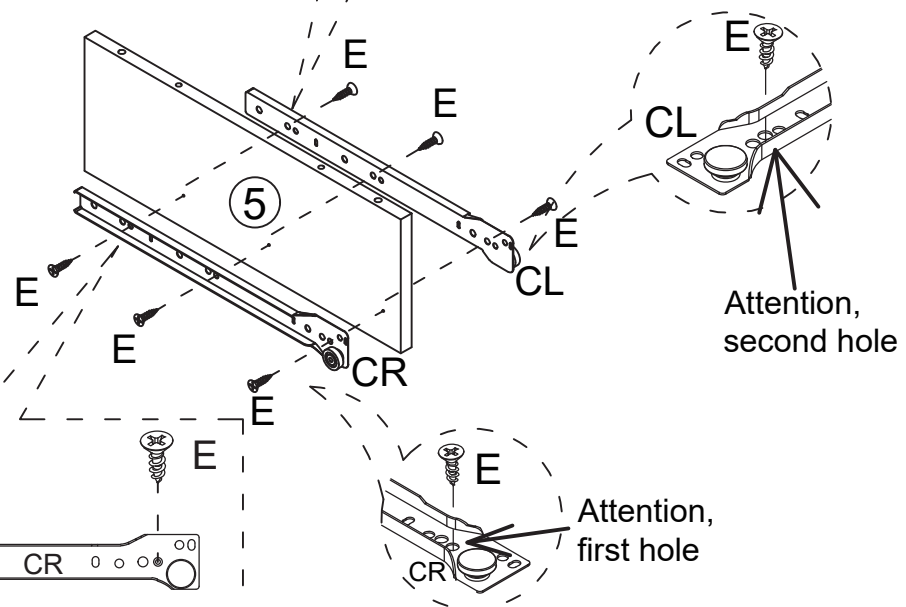
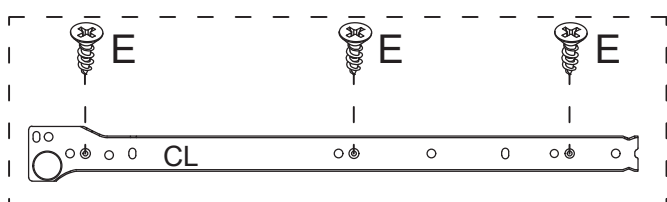


3

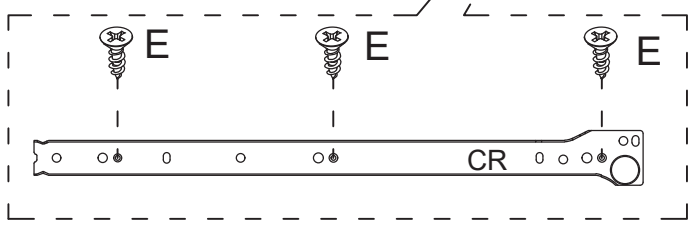
E x6

CLx1

CRx1

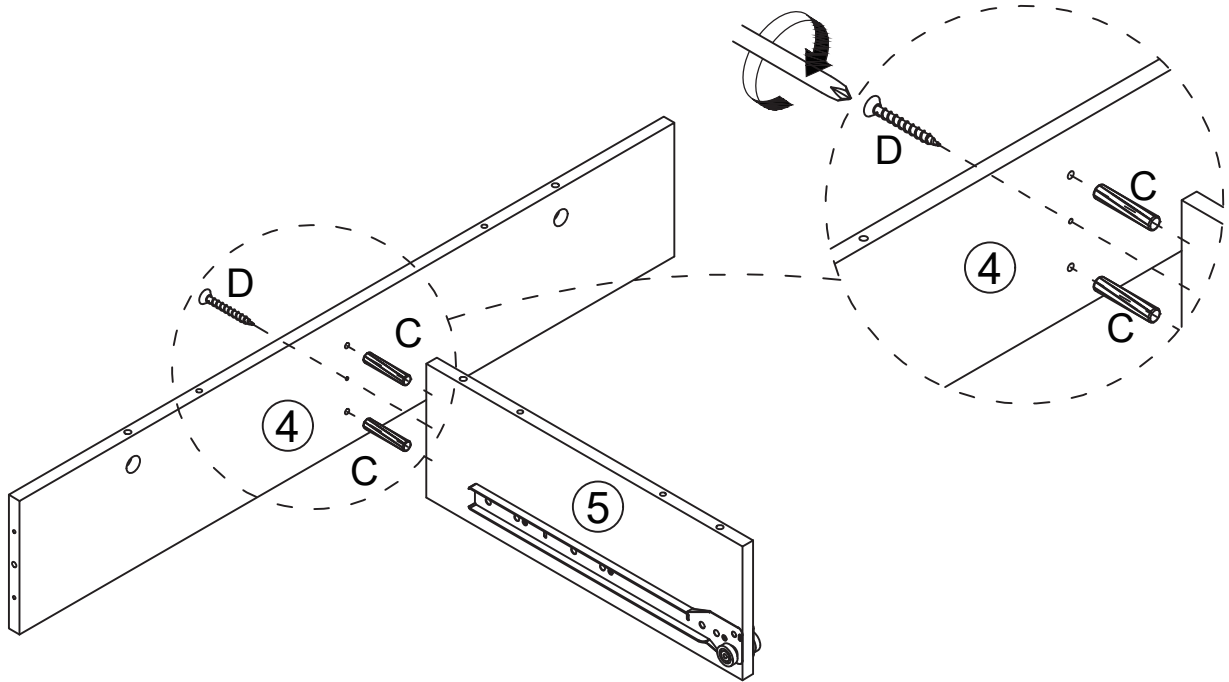


5



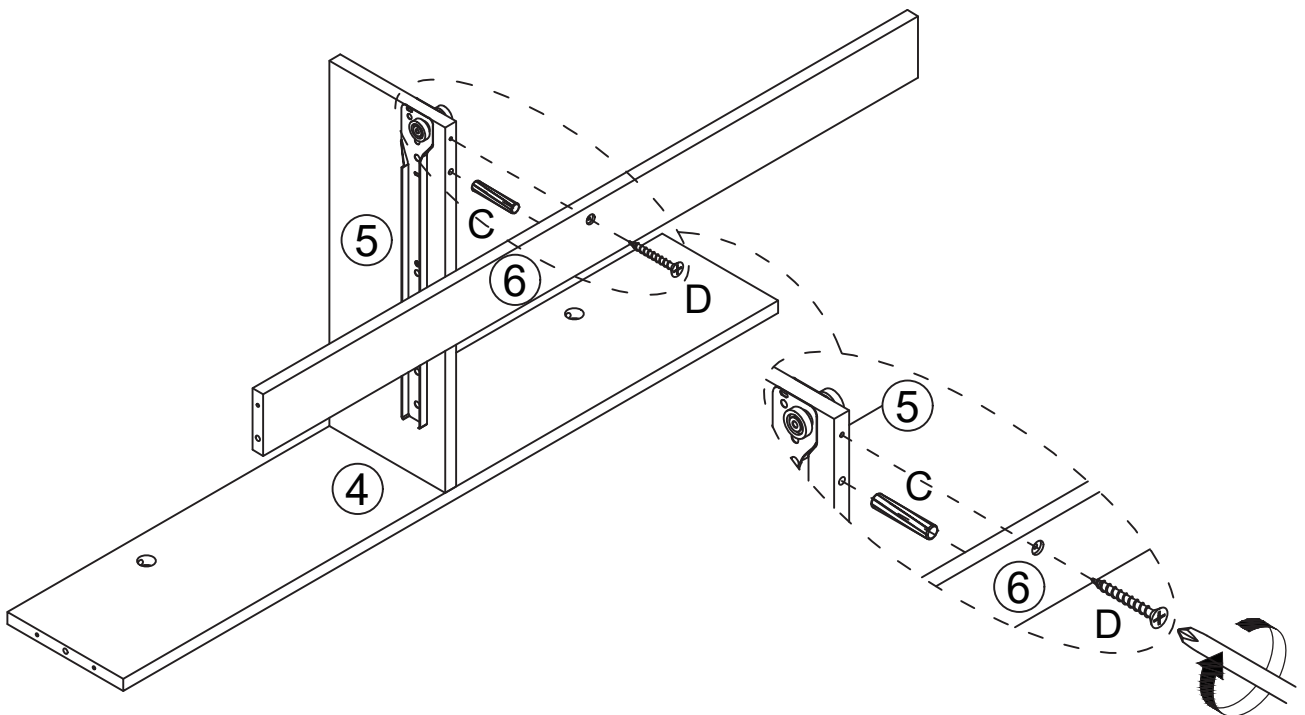
C x2

D x1



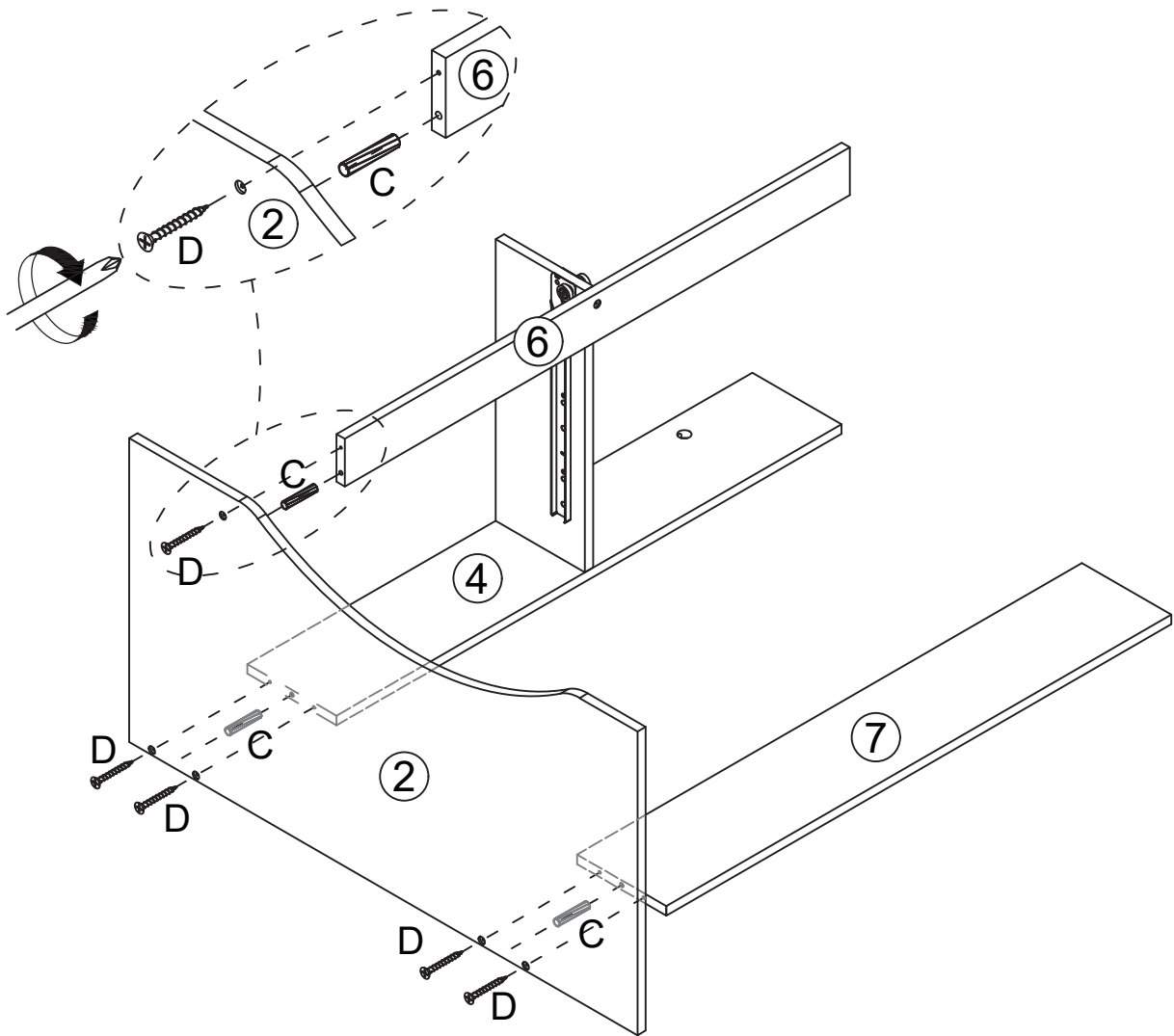
C x1

D x1



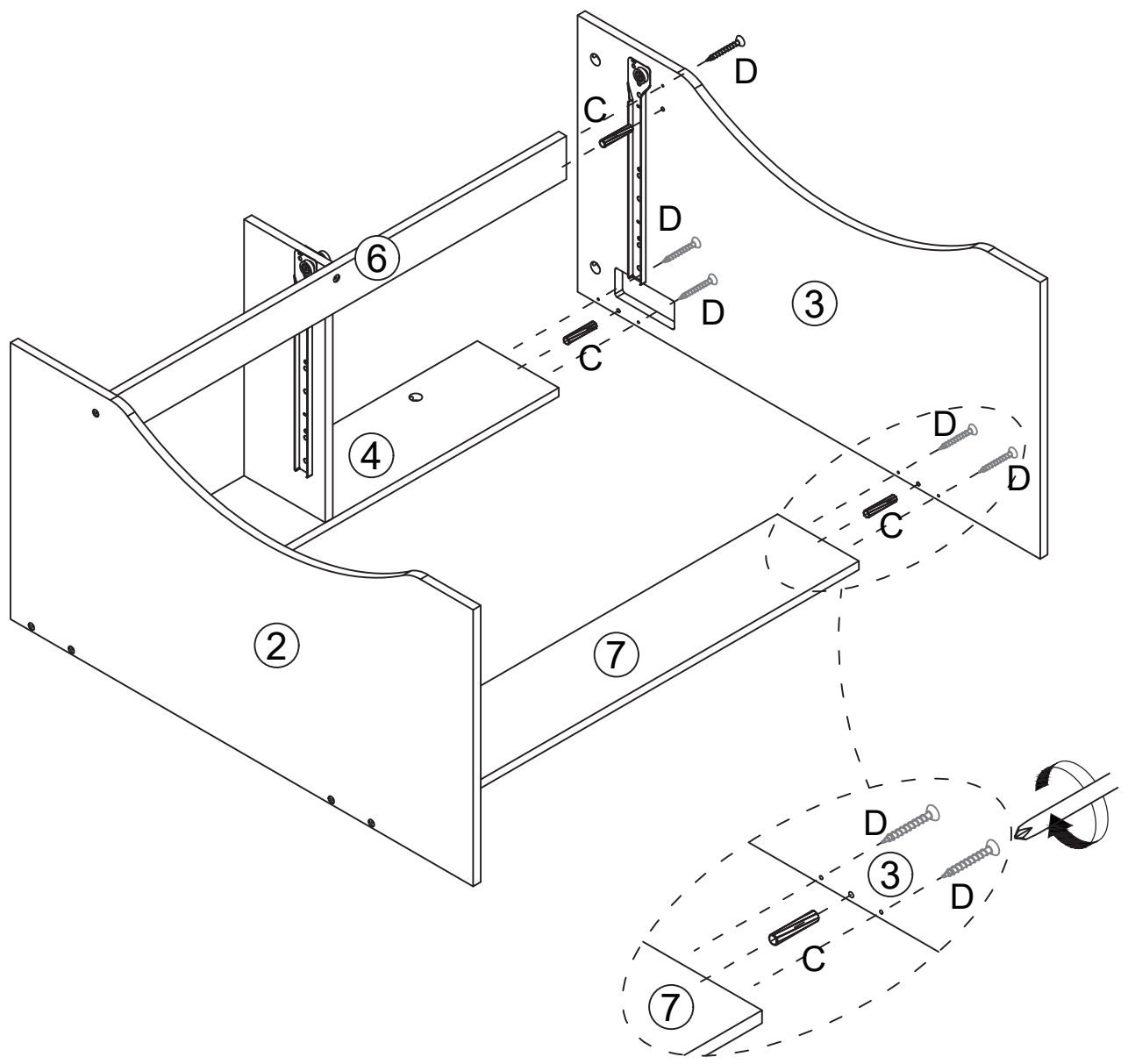
C x3

D x5



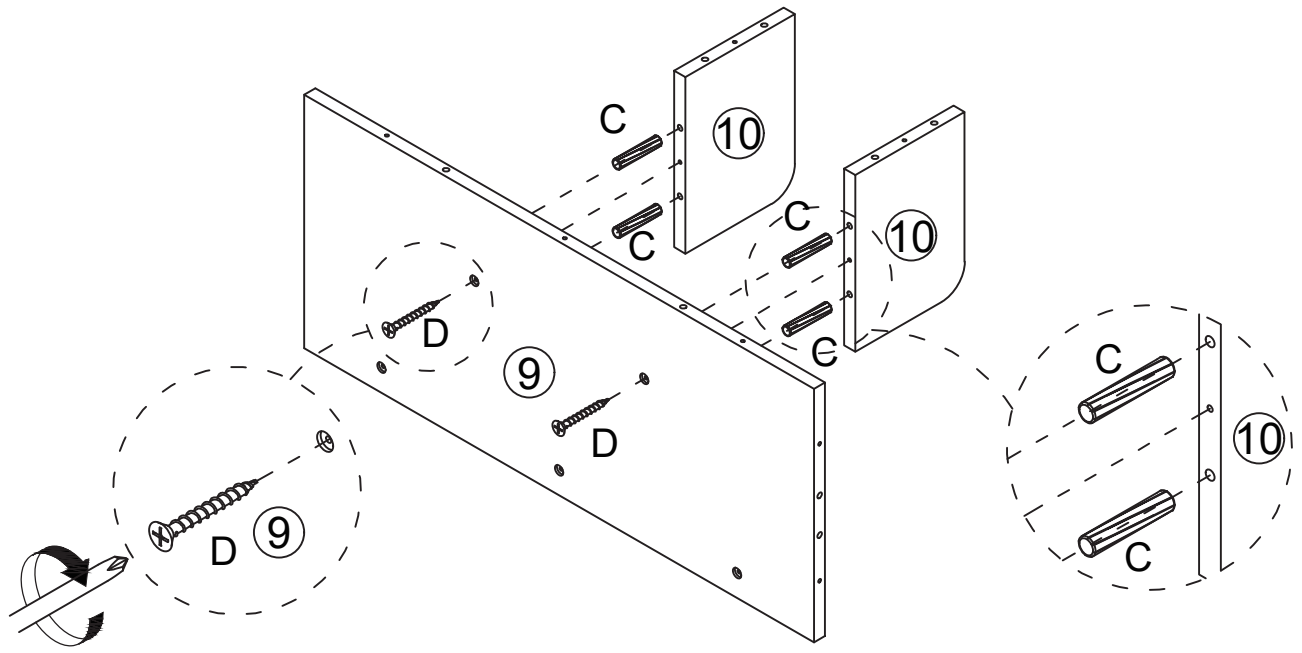
C x3

D x5



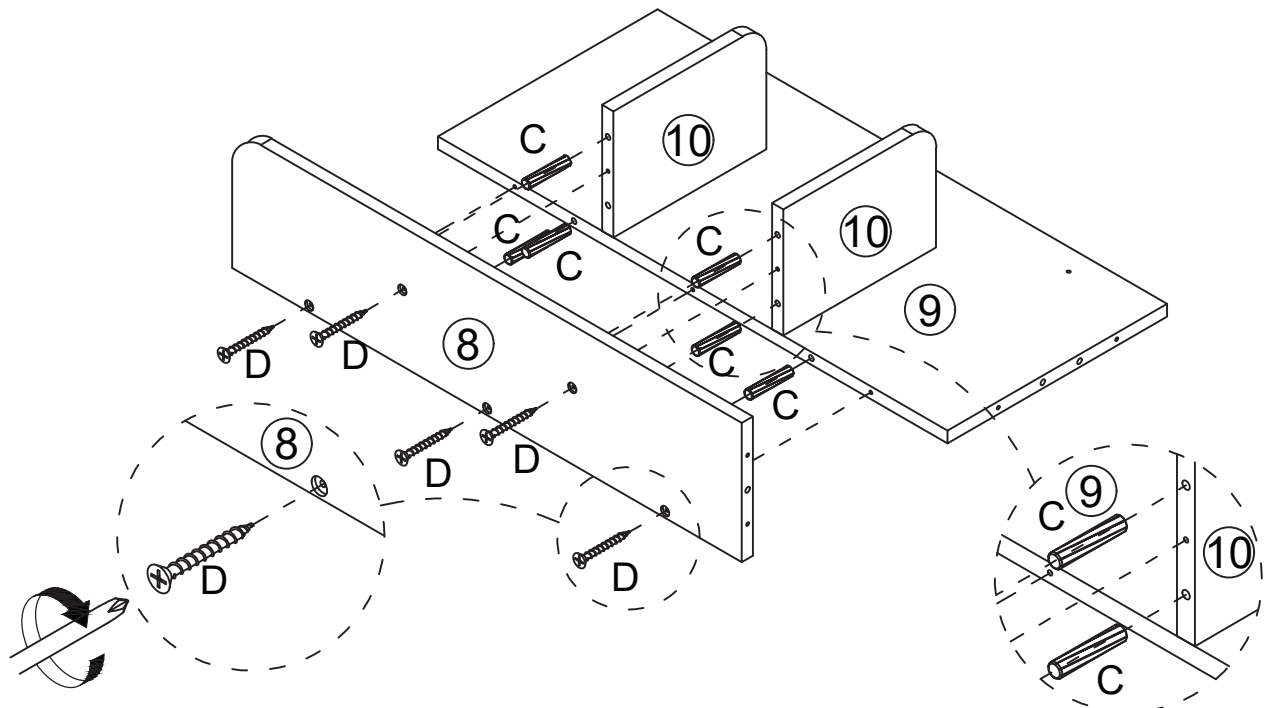
C x4

D x2



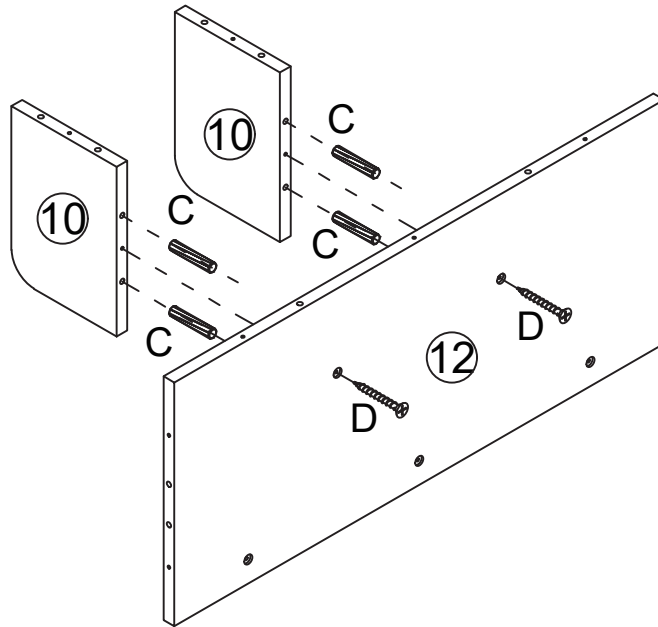
C x6

D x5



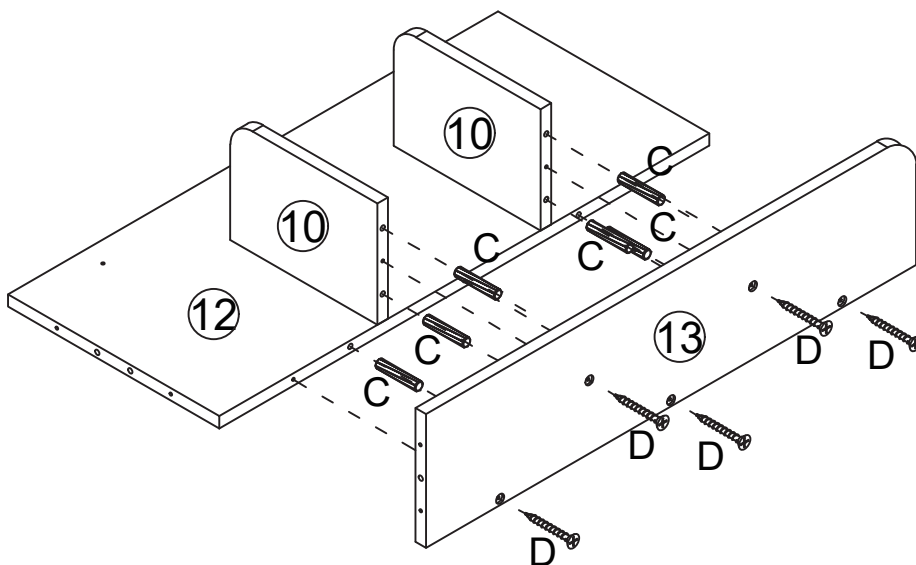
C x4

D x2

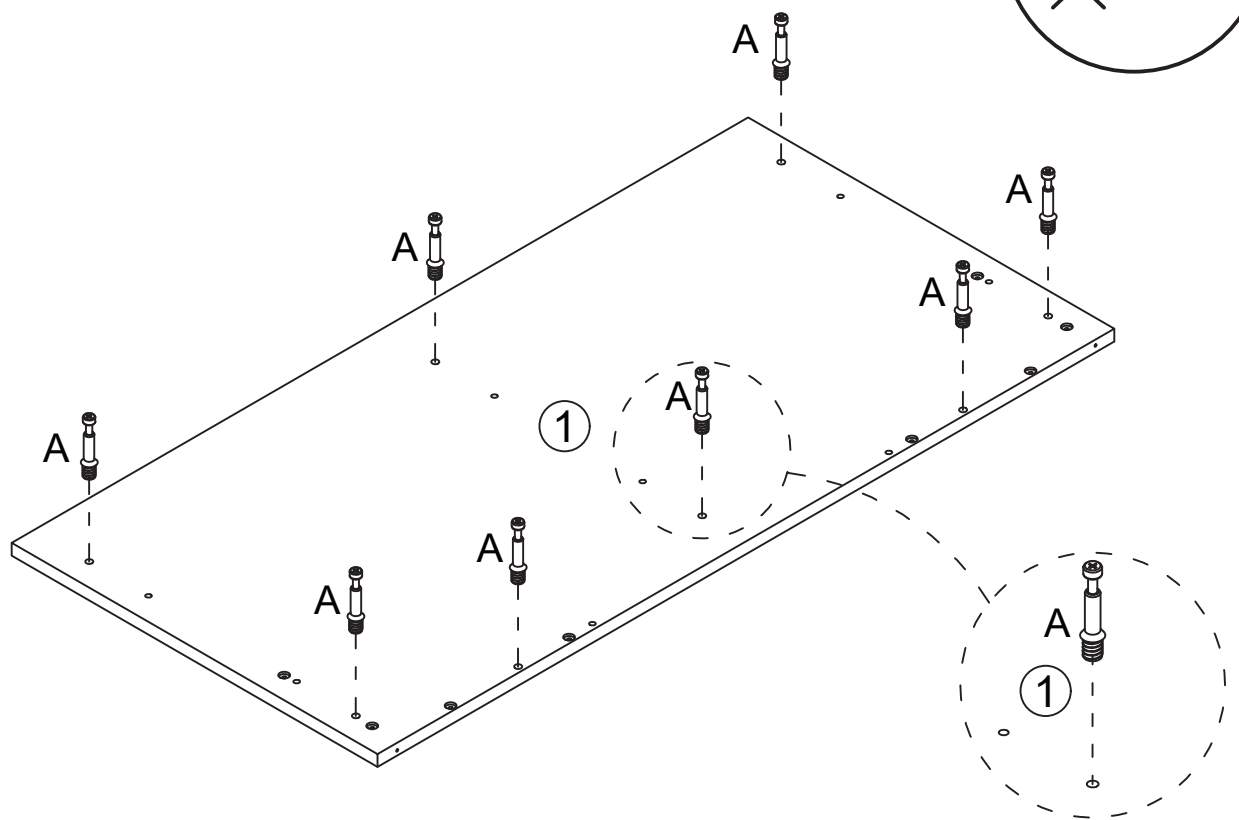
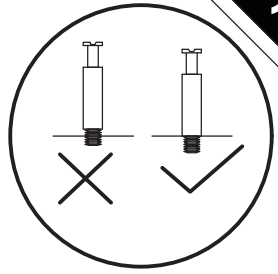
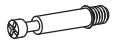


C x6

D x5

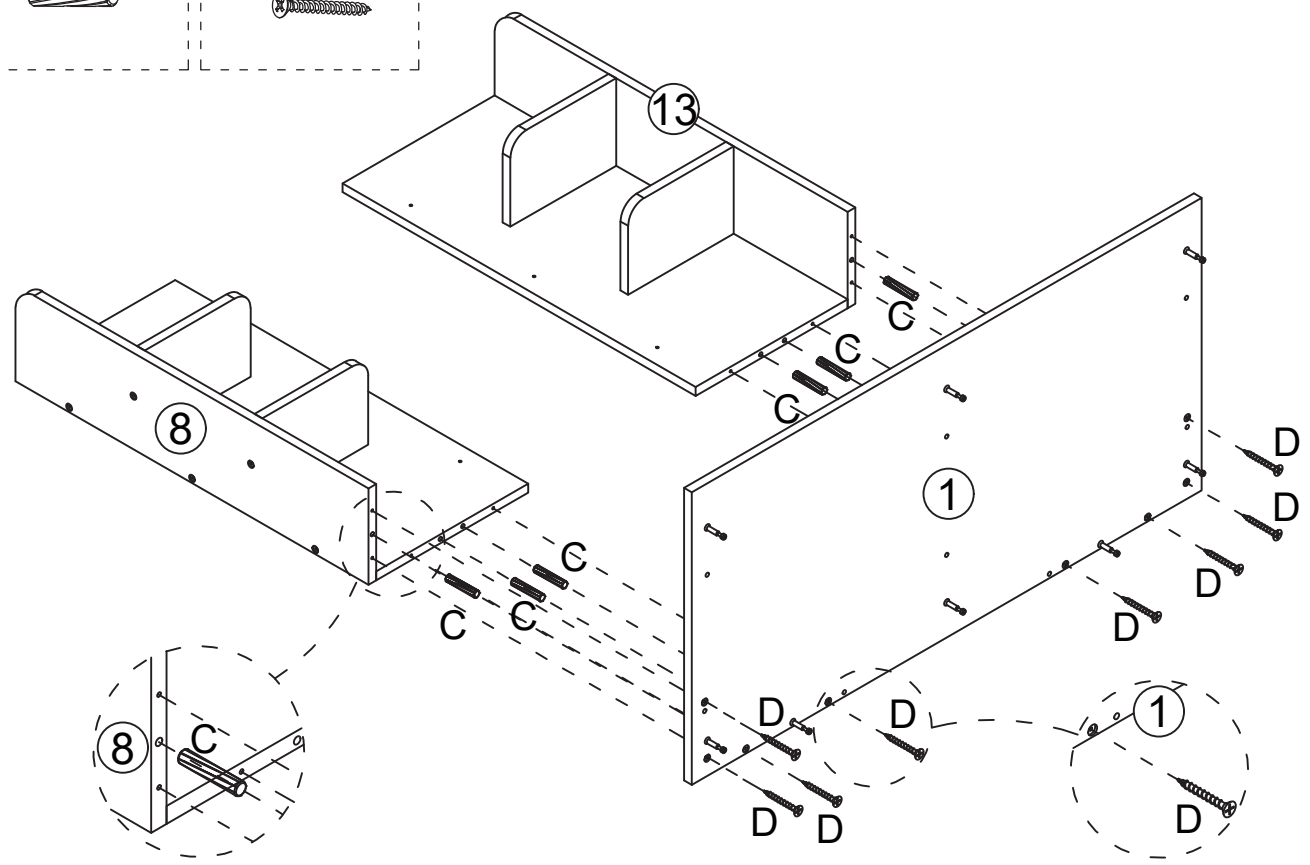


A x8



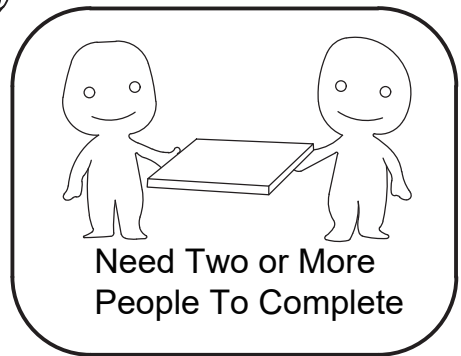
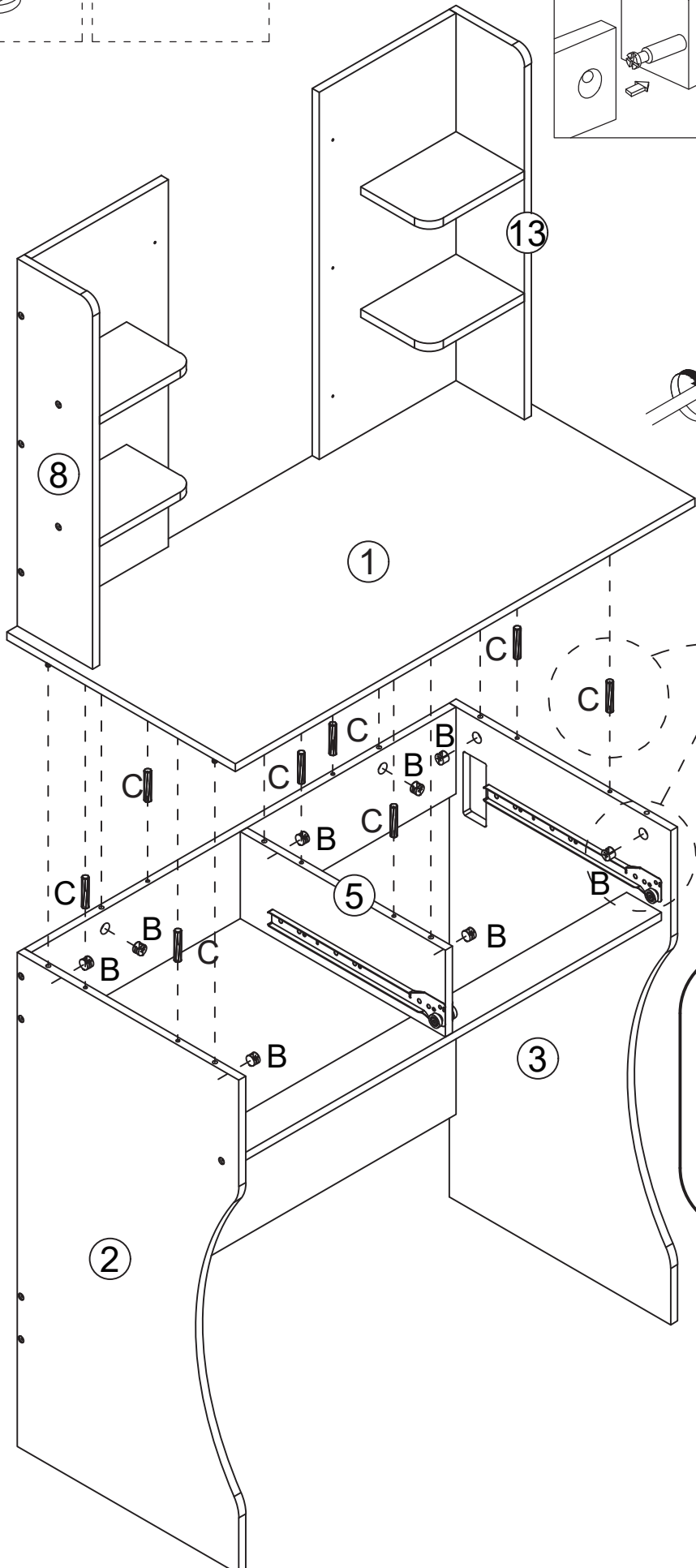
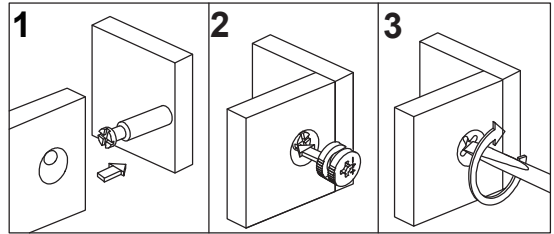
C x6

D x8

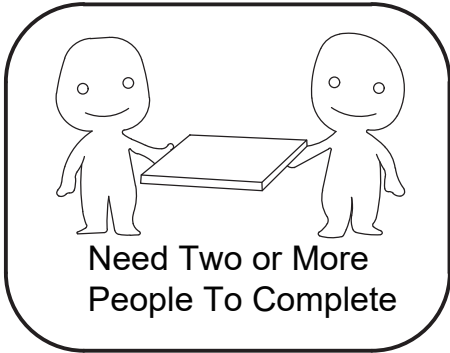


B x8

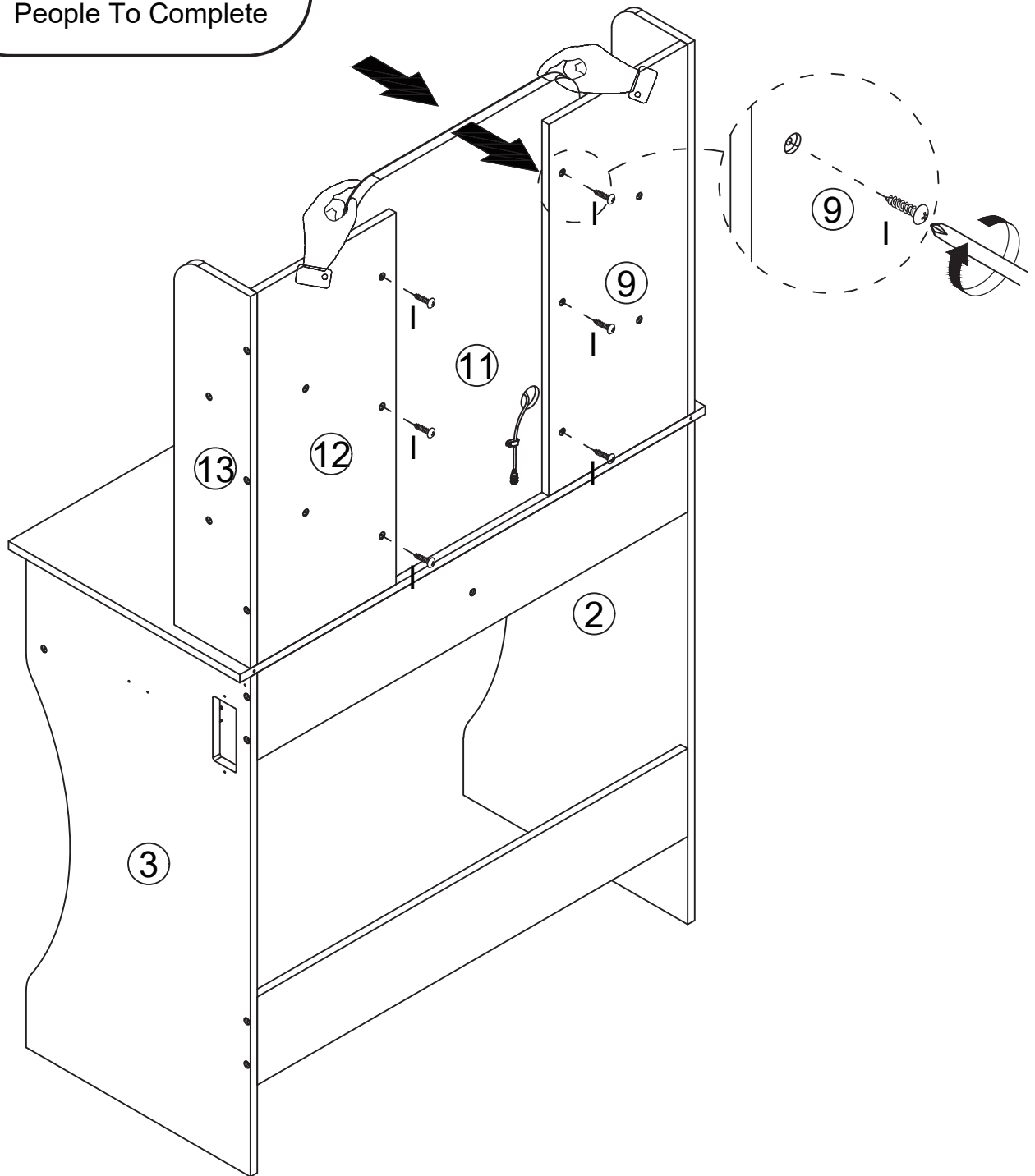
C x8

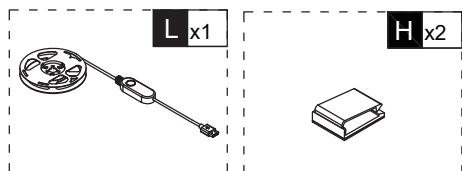


1 x6

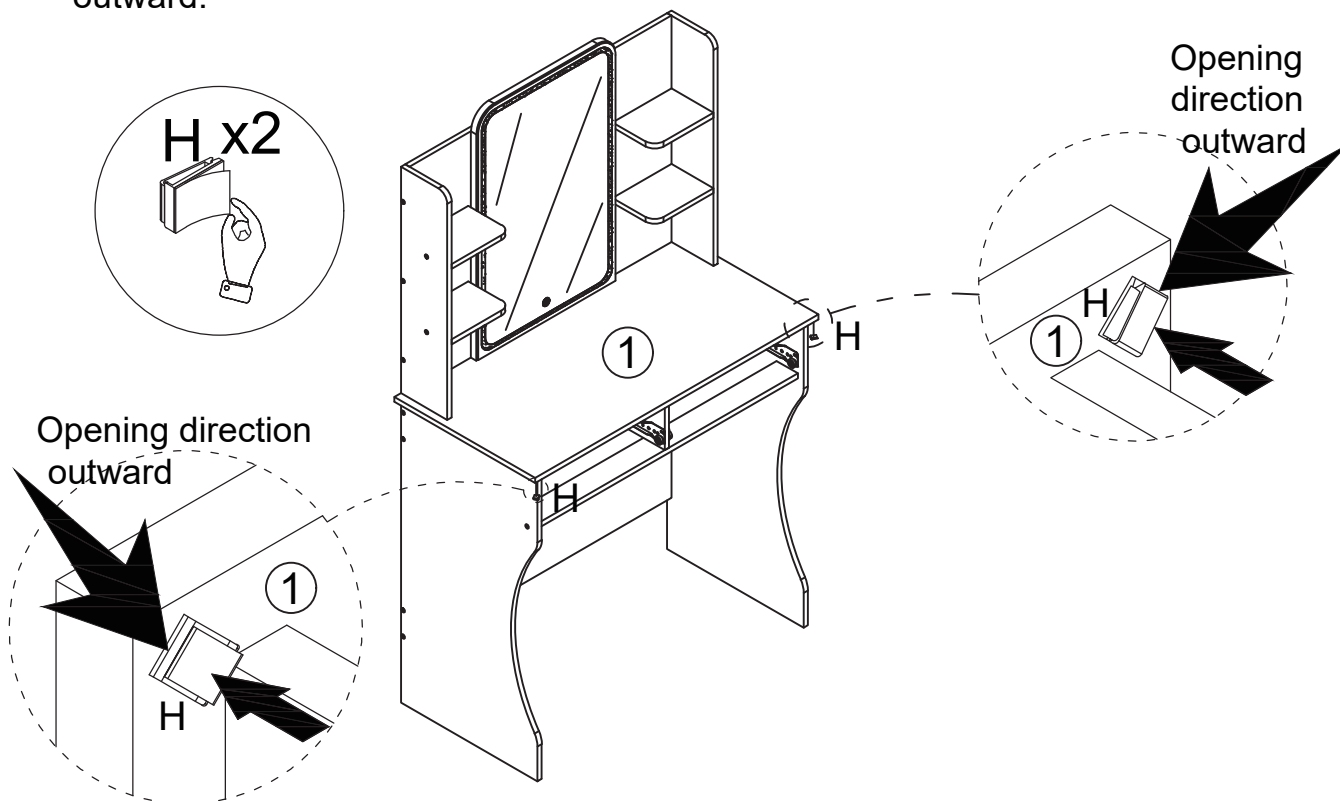


Need Two or More
People To Complete

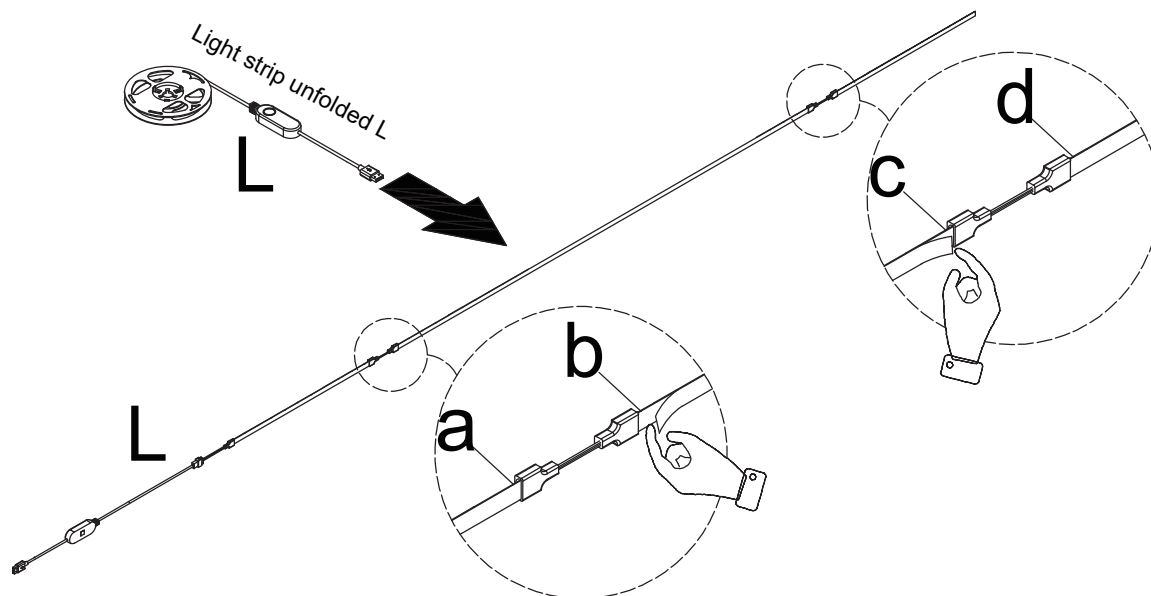




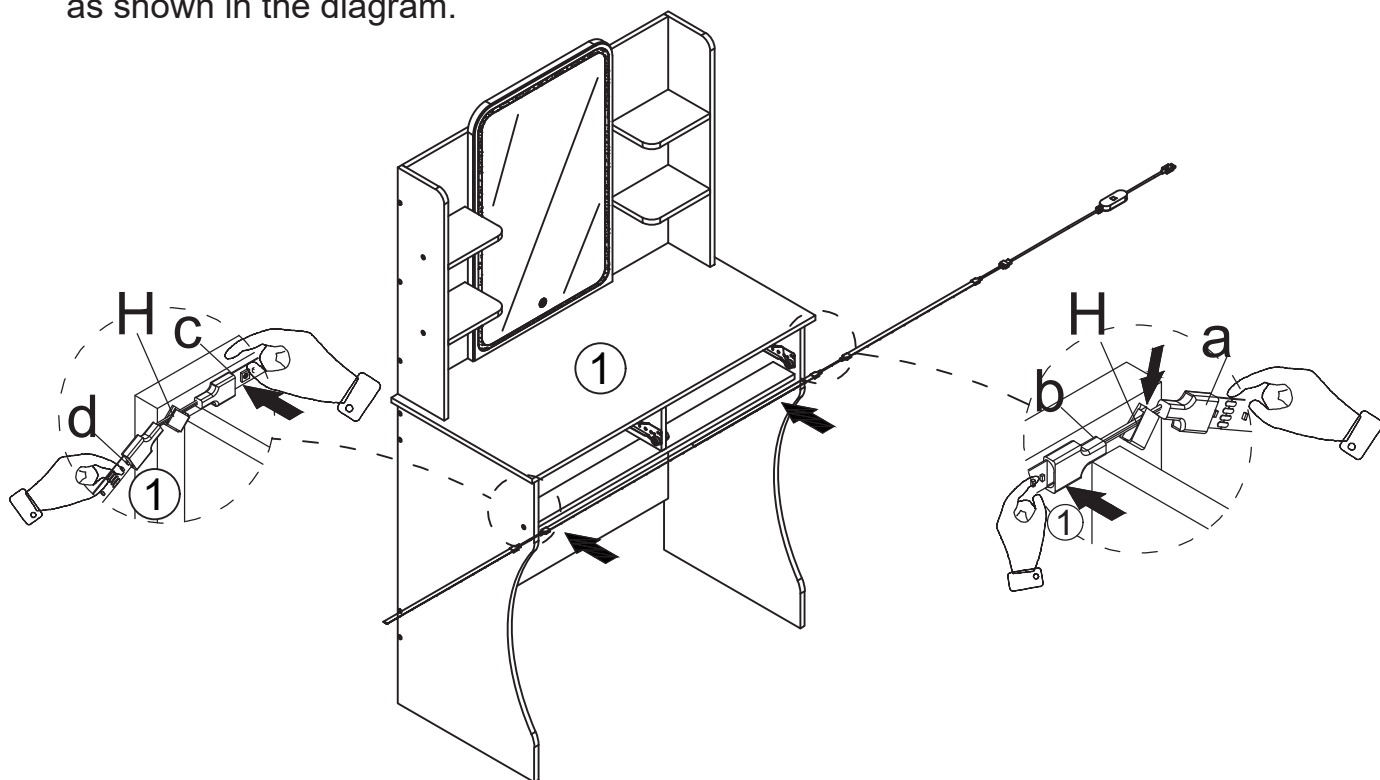
- (1) Firstly, move the cabinet to the designated location as shown in the picture, tear off the adhesive on the back of the accessory (H), and then stick the accessory (H) to the front left and right ends of the tabletop of board 1 as shown in the picture, with the opening direction facing outward.



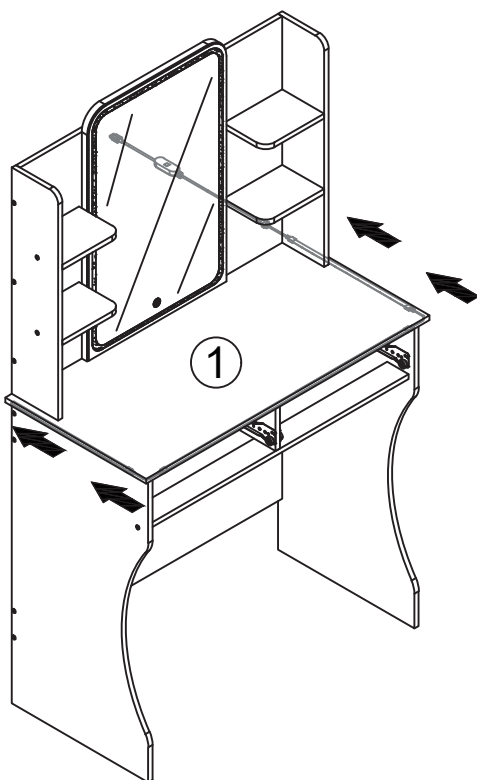
- (2) Please unfold the light strip (L), and then peel off a small piece of adhesive from the back of the "b" and "c" ends in the middle of the light strip.



- (3) Please place the light wire between the "a" and "b" ends on the right side as shown in the diagram into accessory (H), and then peel off the adhesive on the light strip (L) to the left and stick it to accessory (H). When it reaches the left accessory (H), place the light wire between the "c" and "d" ends into accessory (H) as shown in the diagram.



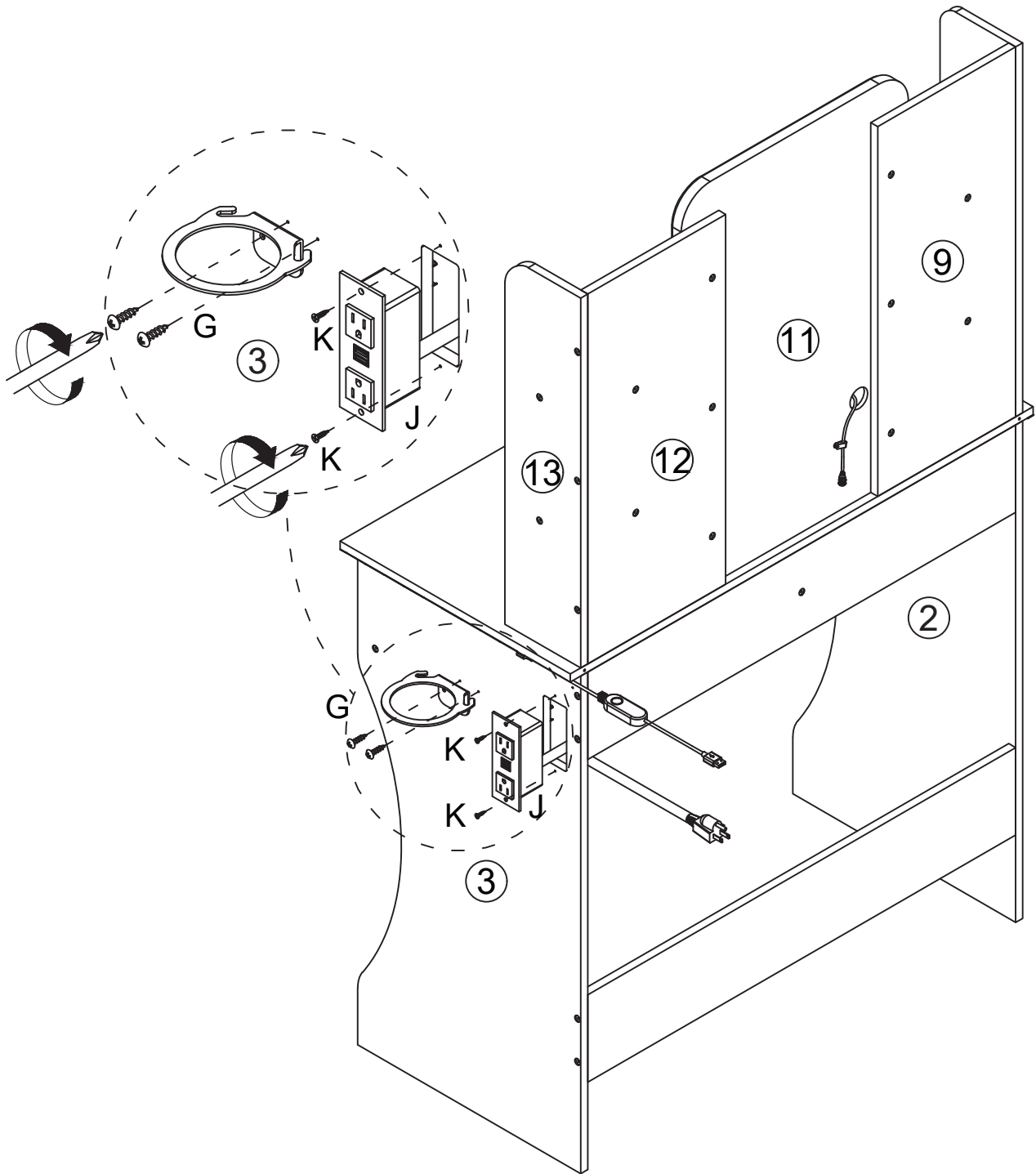
- (4) Finally, tear off the adhesive backing of the left and right light strips and paste the light strip "L" onto the left and right ends of desktop 1

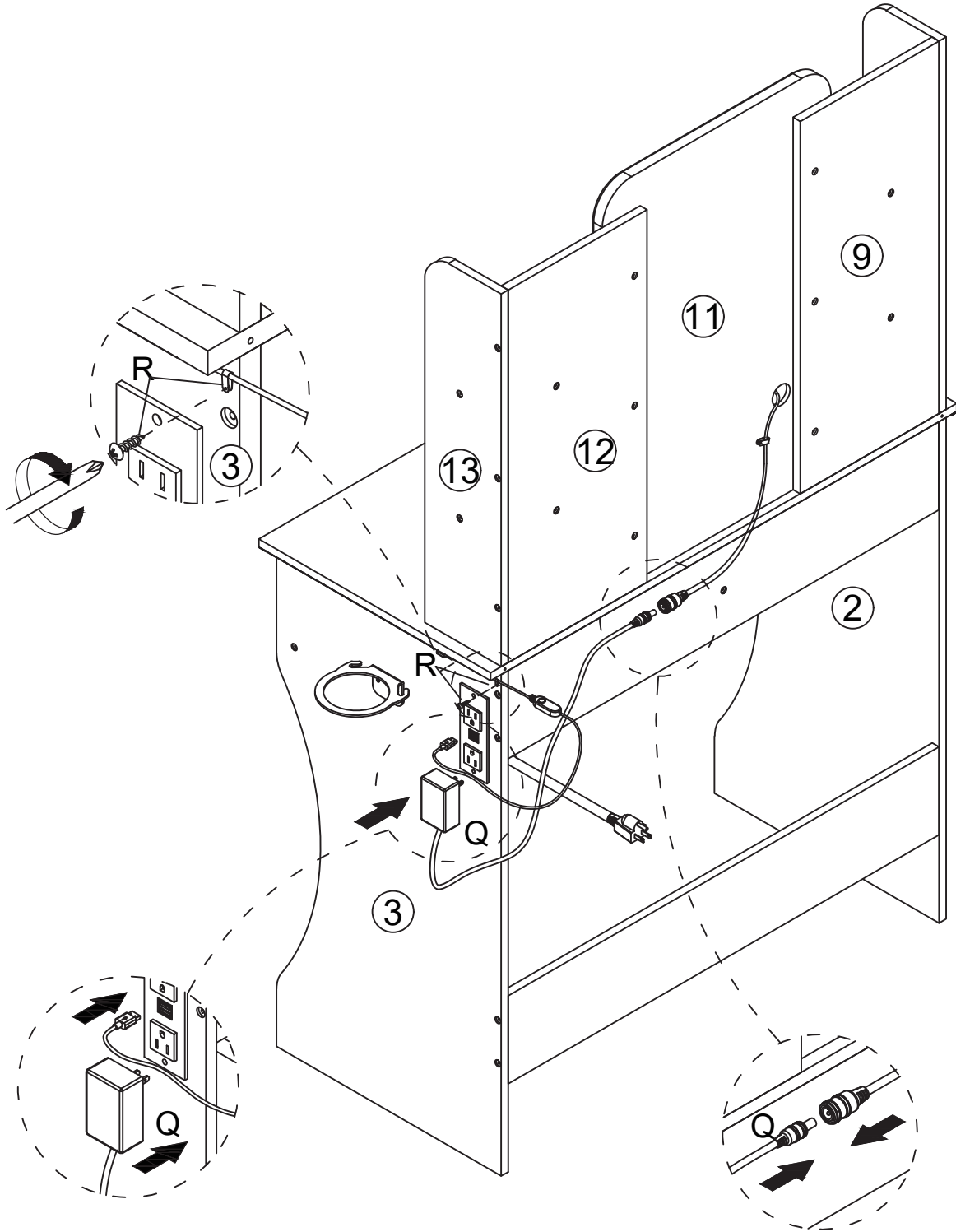
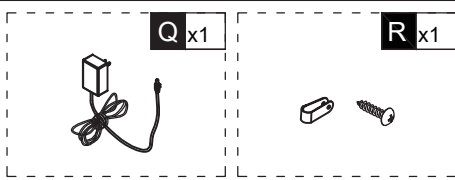


G x1

J x1

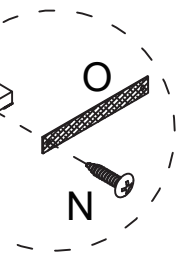
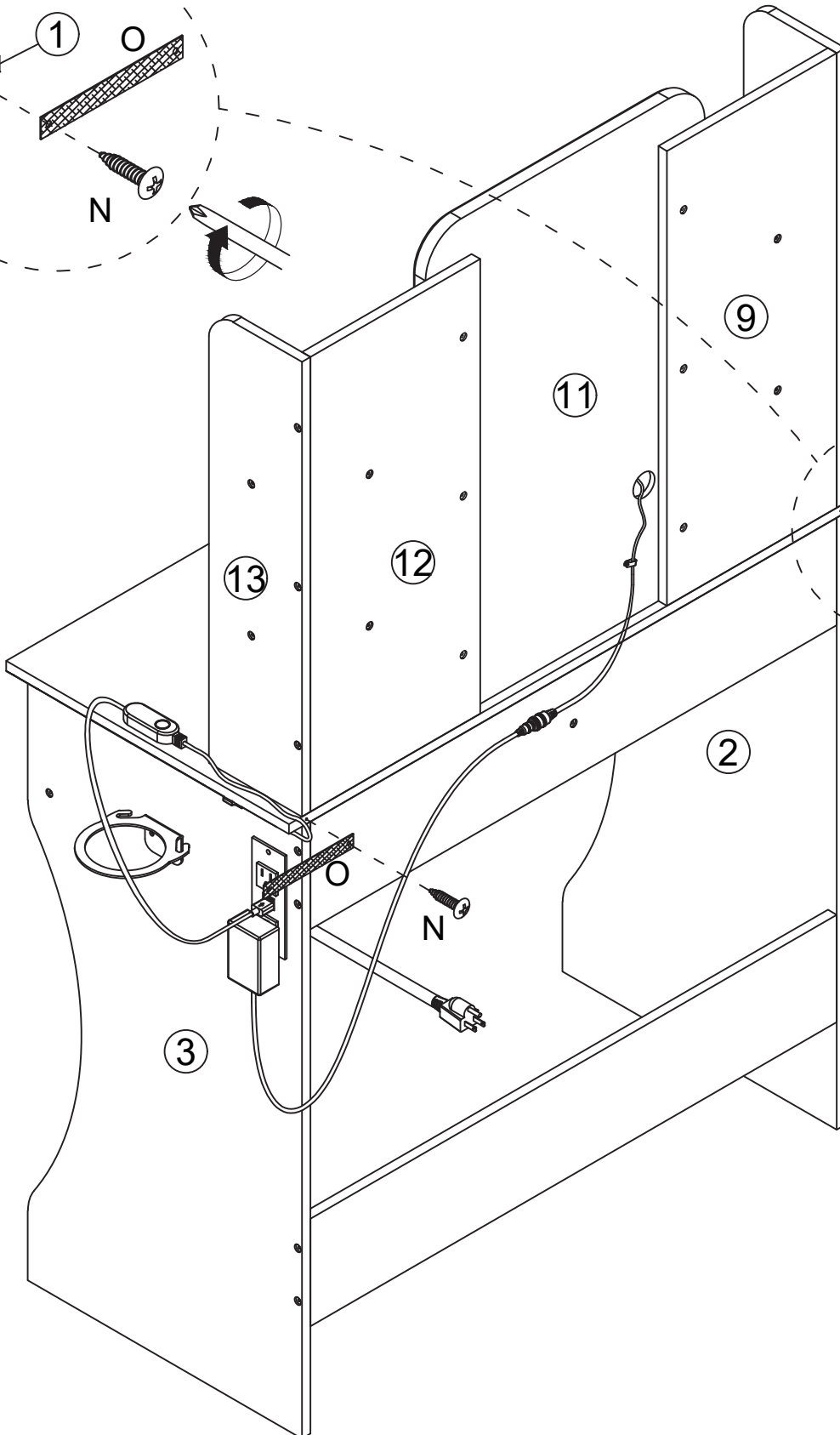
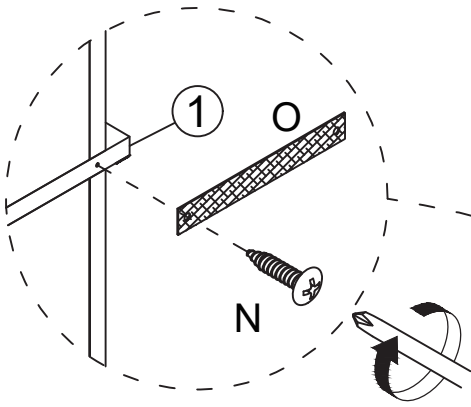
K x2



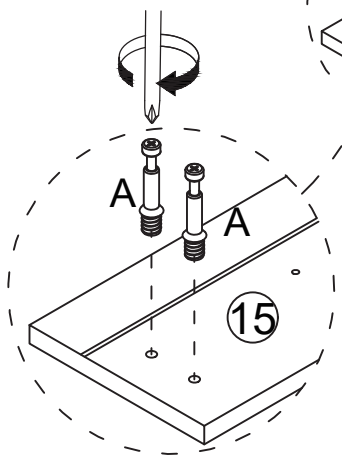
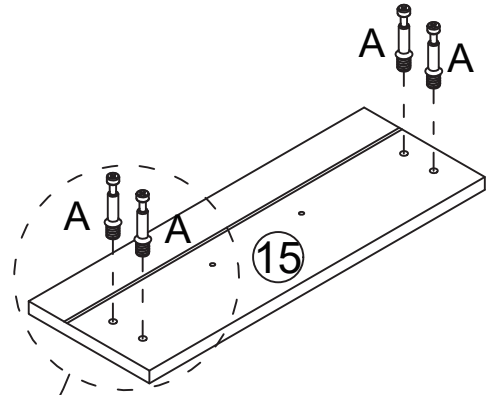
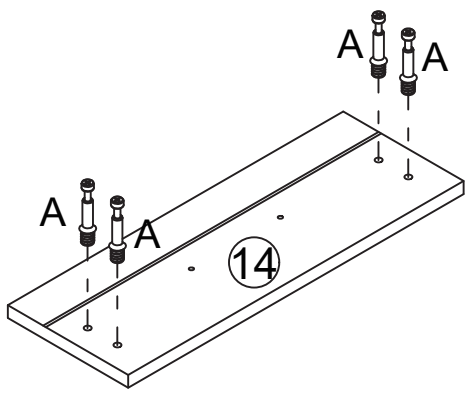
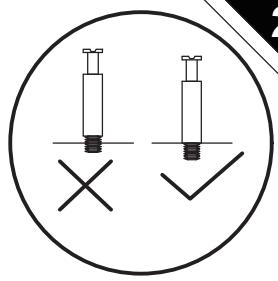
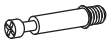


N x2

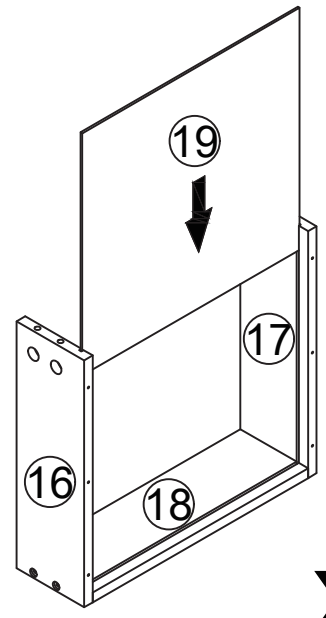
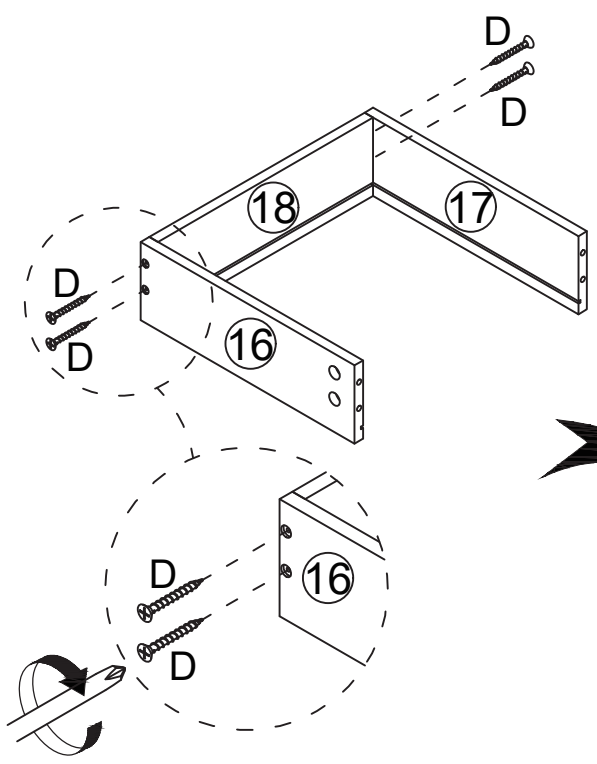
O x2



A x8



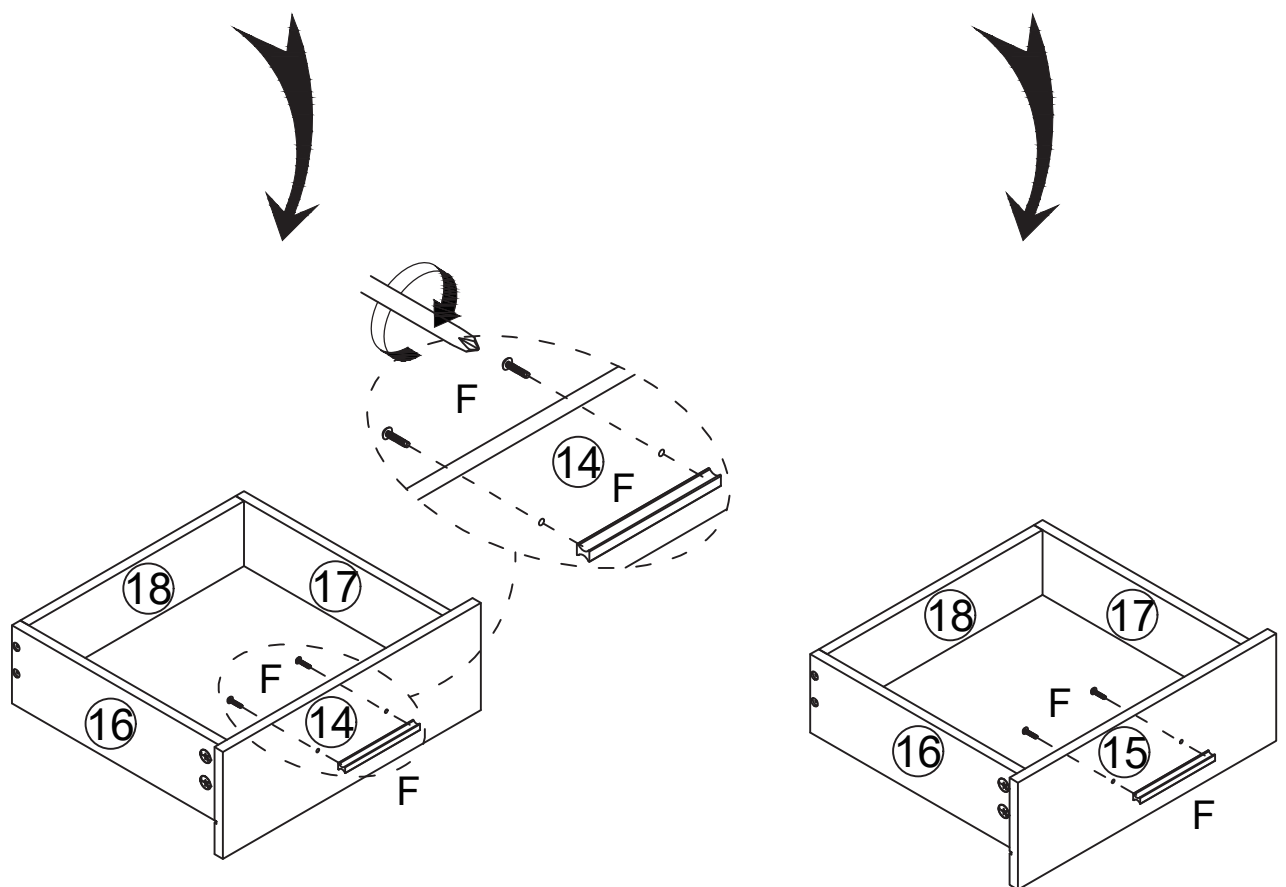
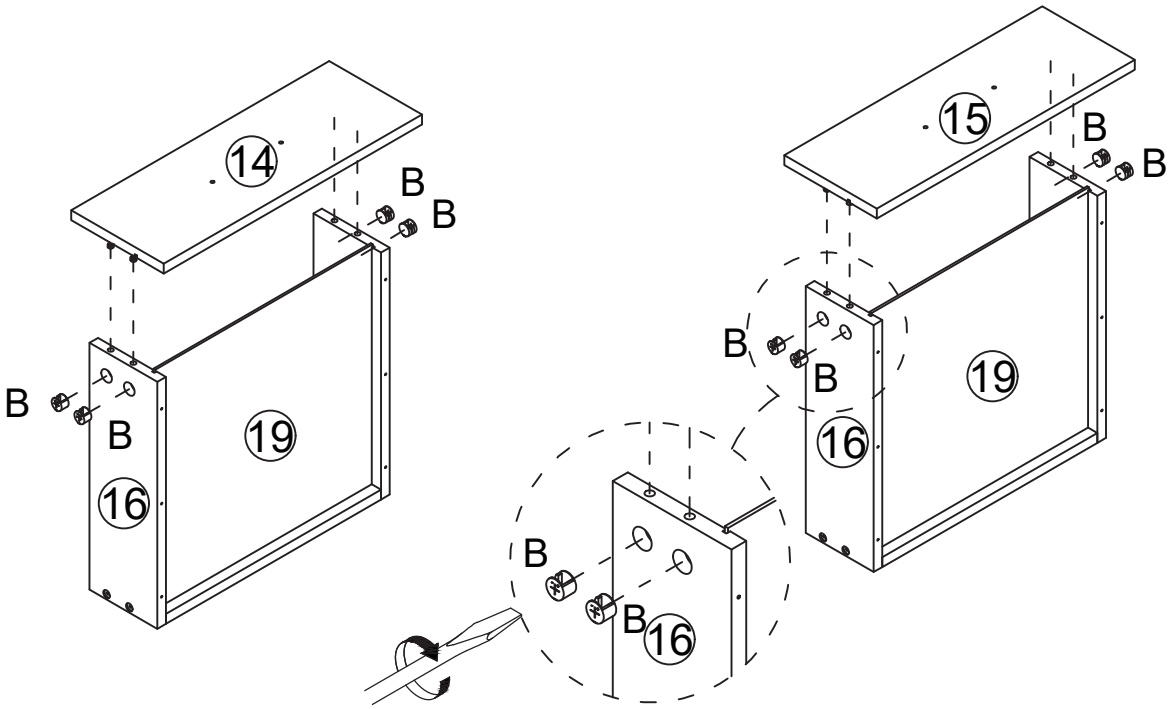
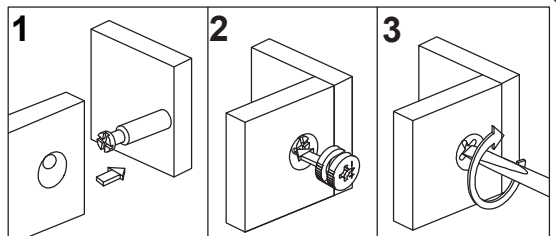
D x8



x2

B x8

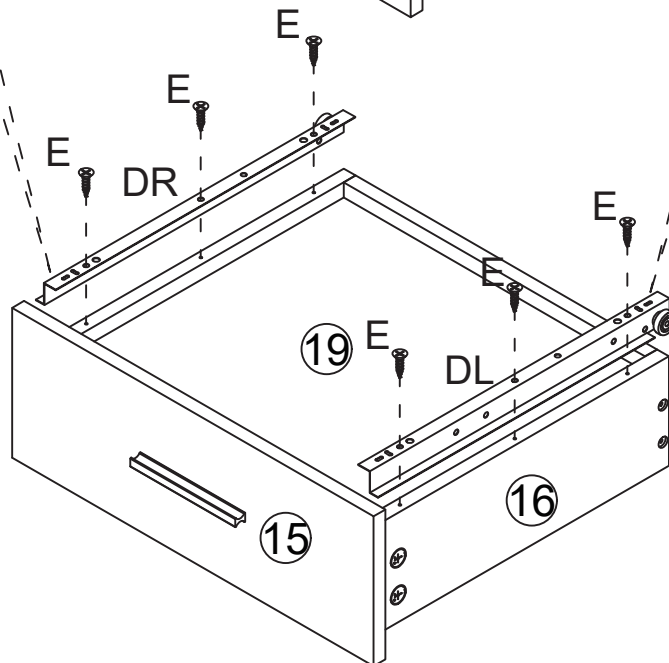
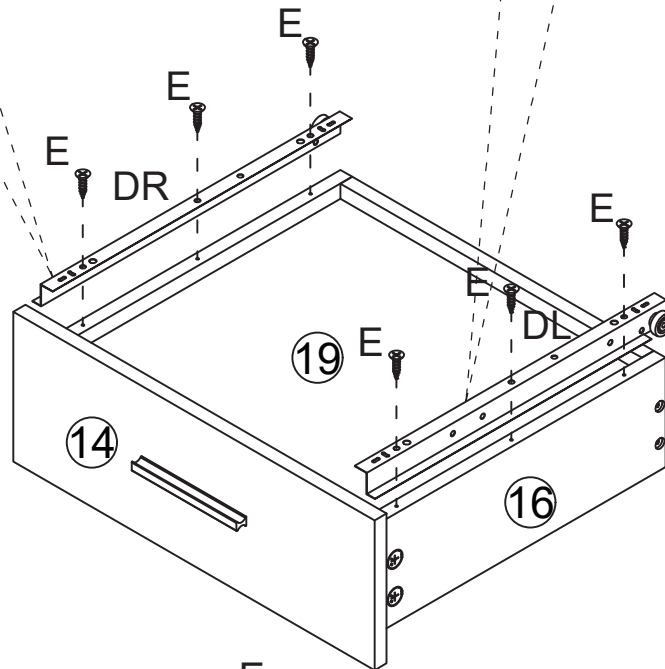
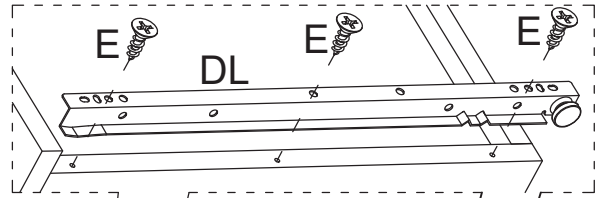
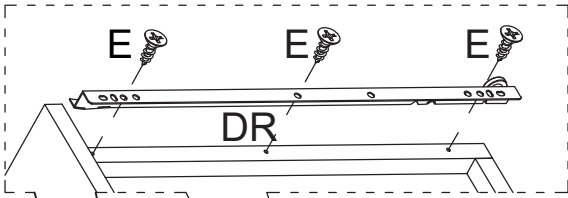
F x2



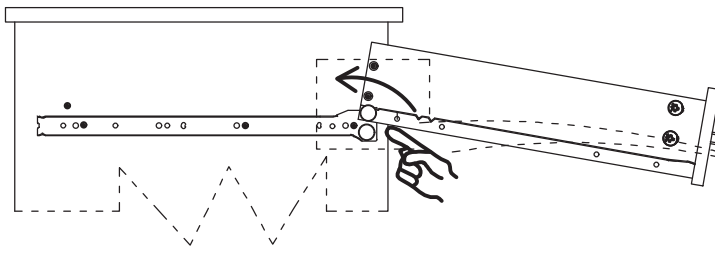
E x12

DL x2

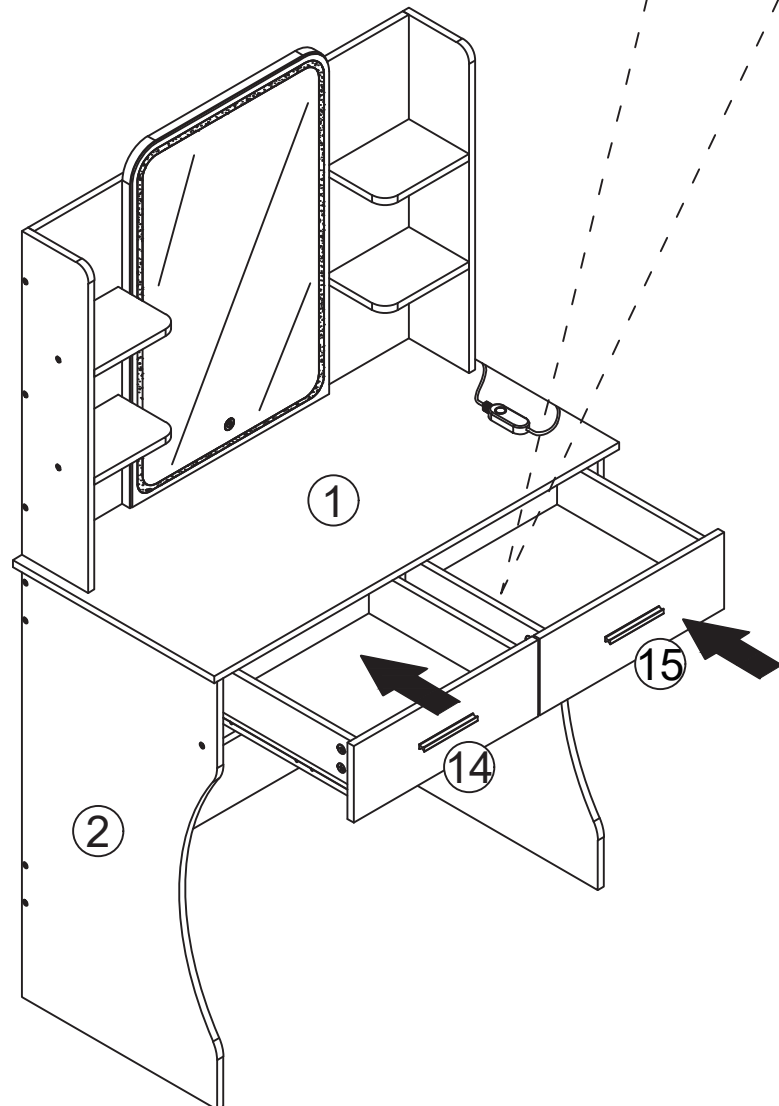
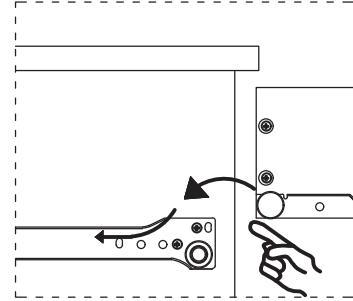
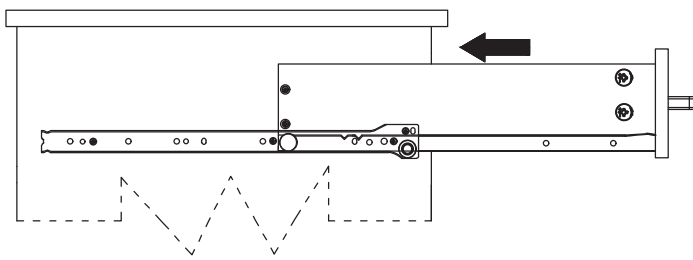
DR x2



(1)



(2)

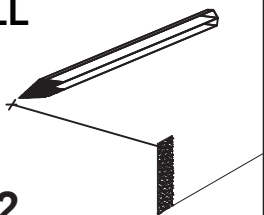


D x2

M x2



WALL



I x2

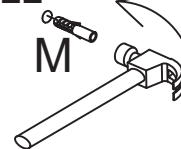
WALL +

drilling hole
Ø6x30mm

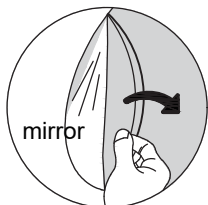


II x2

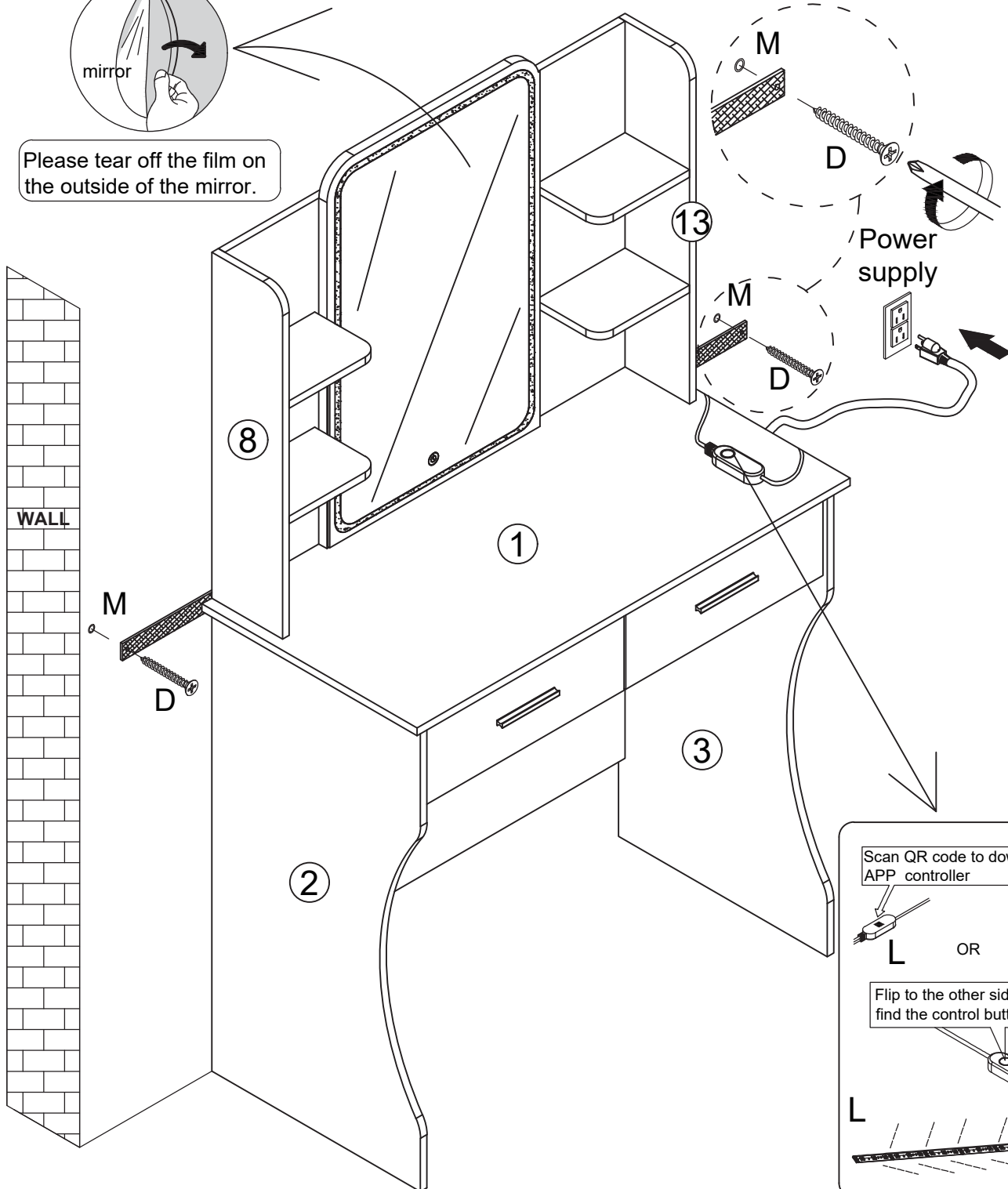
WALL



III x2



Please tear off the film on the outside of the mirror.



Scan QR code to download APP controller



OR

Flip to the other side to find the control button

