

## Table Base

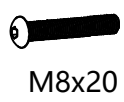
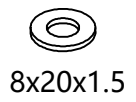
### Components & Hardware

A Leg(2)

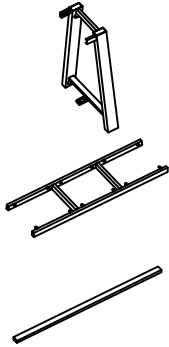
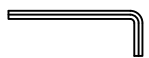
B Apron(1)

C Leg Brace(1)

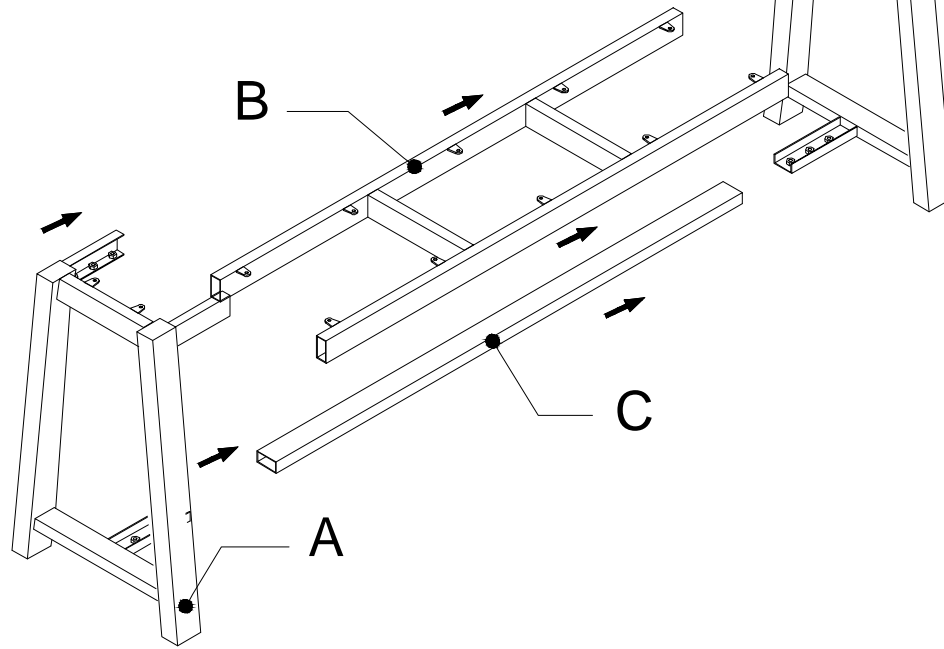
D Washer Set(18sets)



E Allen Wrench(1)



### Step 1



### Step 2

