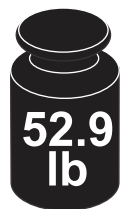
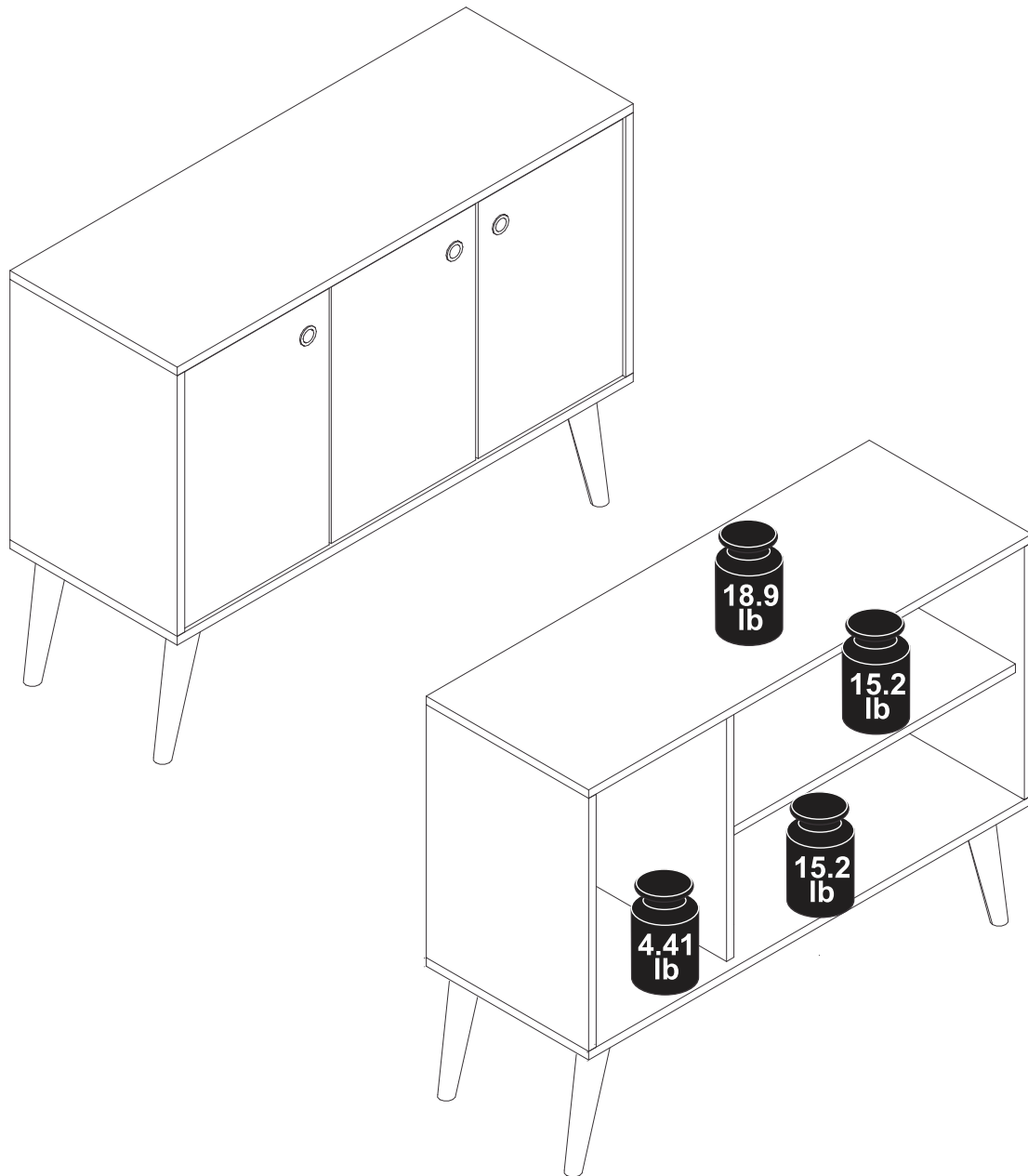


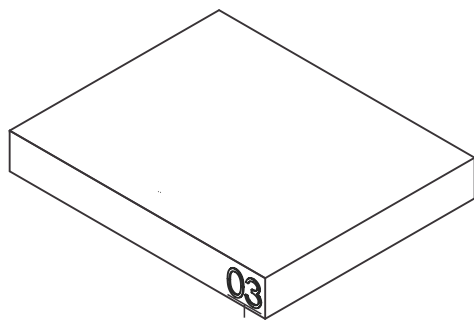
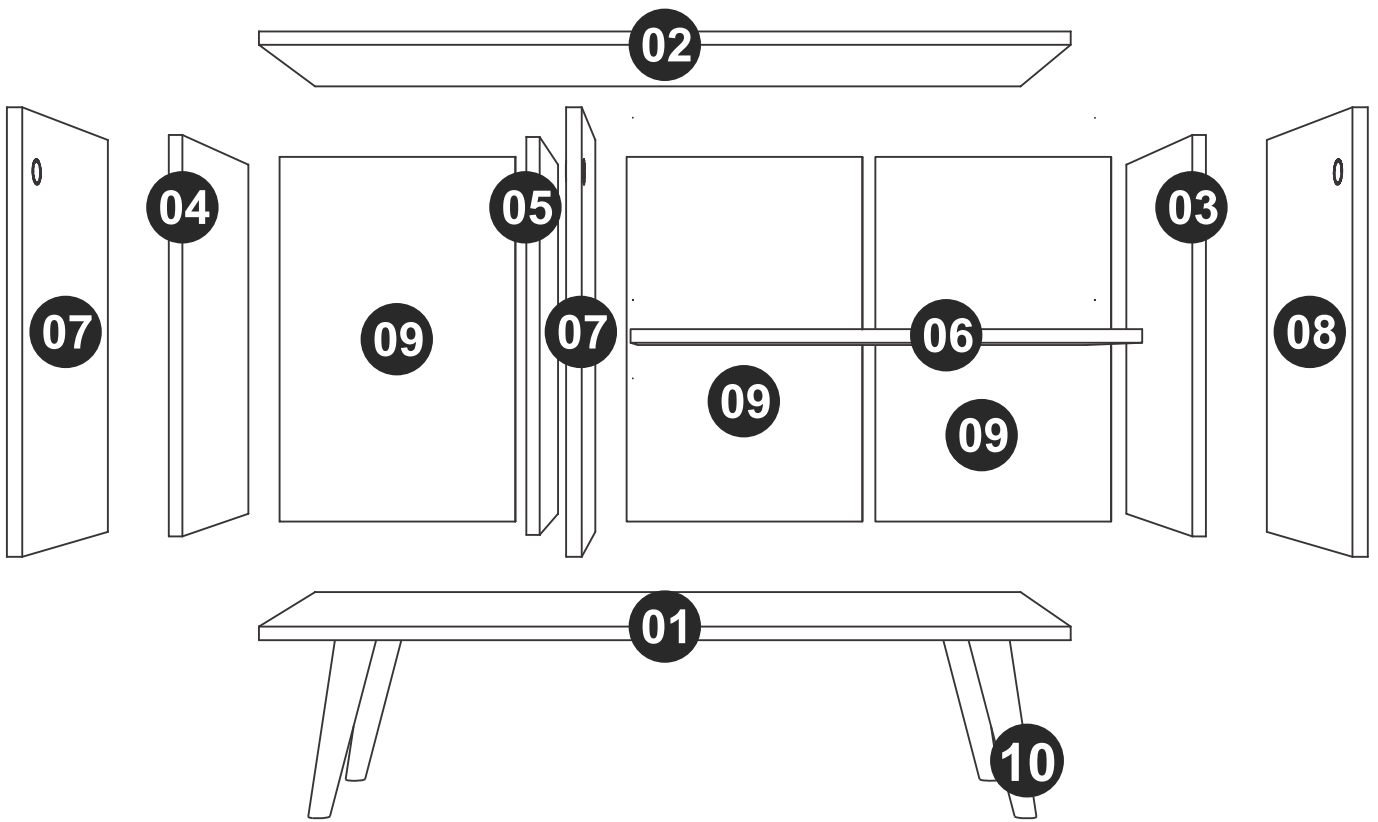


**Buffet Stand**

Dimensions:

W: 35.43" H: 27.36" D: 12.99"



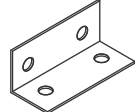


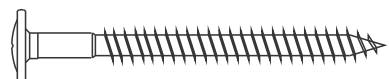

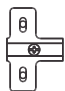
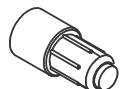

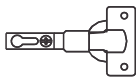


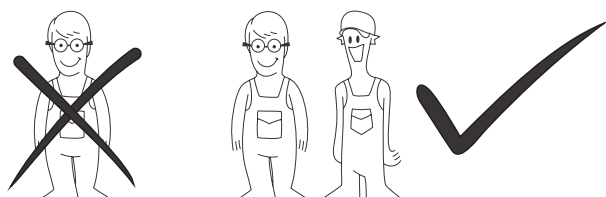
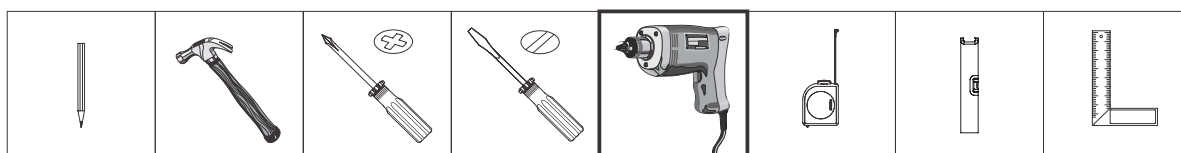


**USE ALCOHOL TO  
REMOVE PART  
NUMBERS**

PART	DESCRIPTION	QTY.
01	Base	01
02	Top	01
03	Right side	01
04	Left side	01
05	Partition	01
06	Shelf	01
07	Left door	02
08	Right door	01
09	Back	03
10	Wood feet	04

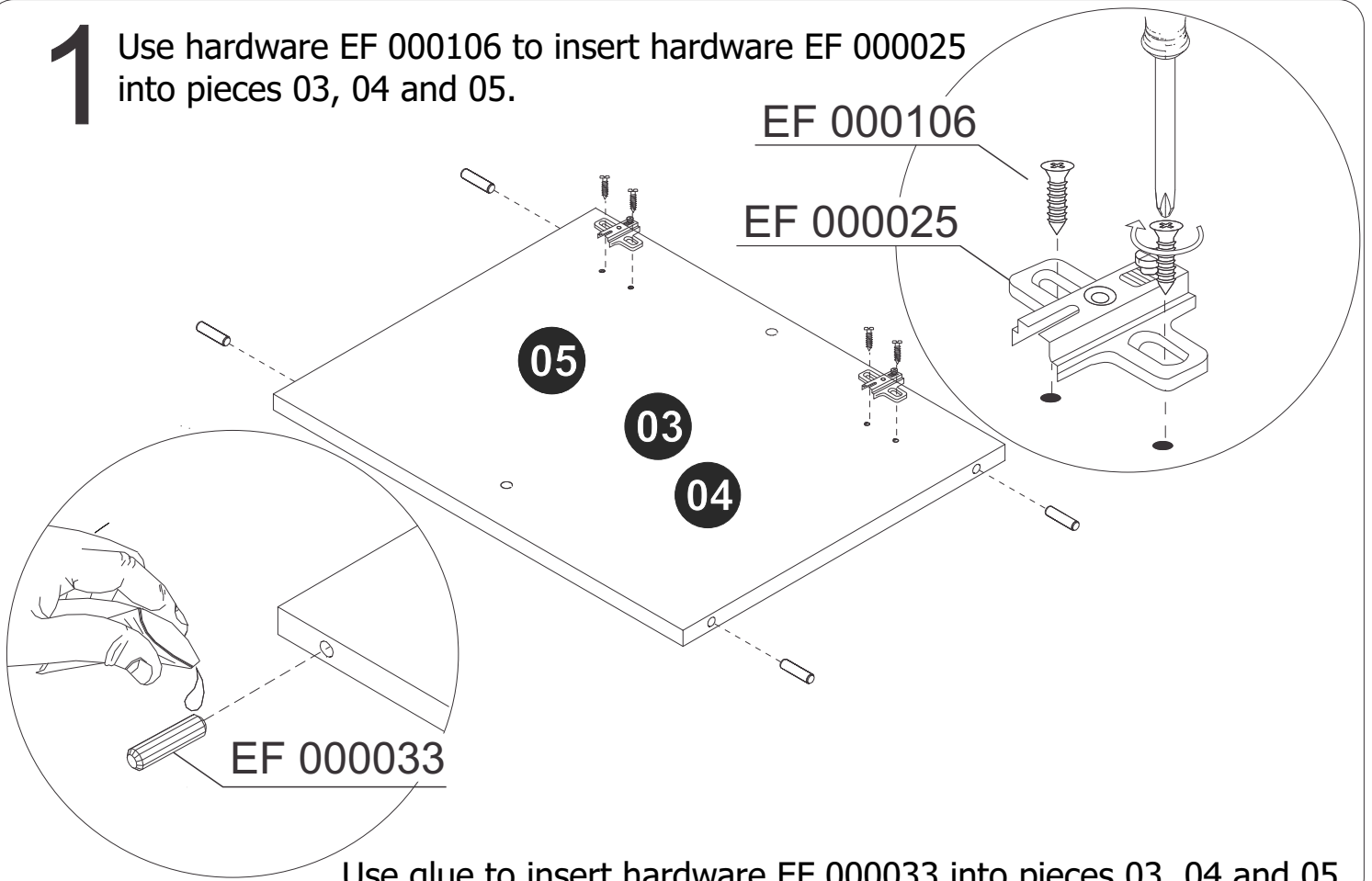
## HARDWARE PARTS

PHOTO	CODE	QTY.
	EF 000033	12
	EF 000132	06
	EF 000061	03
	EF 000106	36
	EF 000168	40
	EF 000246	04
	EF 000008	01
	EF 000025	06
	PLASTIC SUPPORT	04
	HANDLE	03
	EF 000043	06



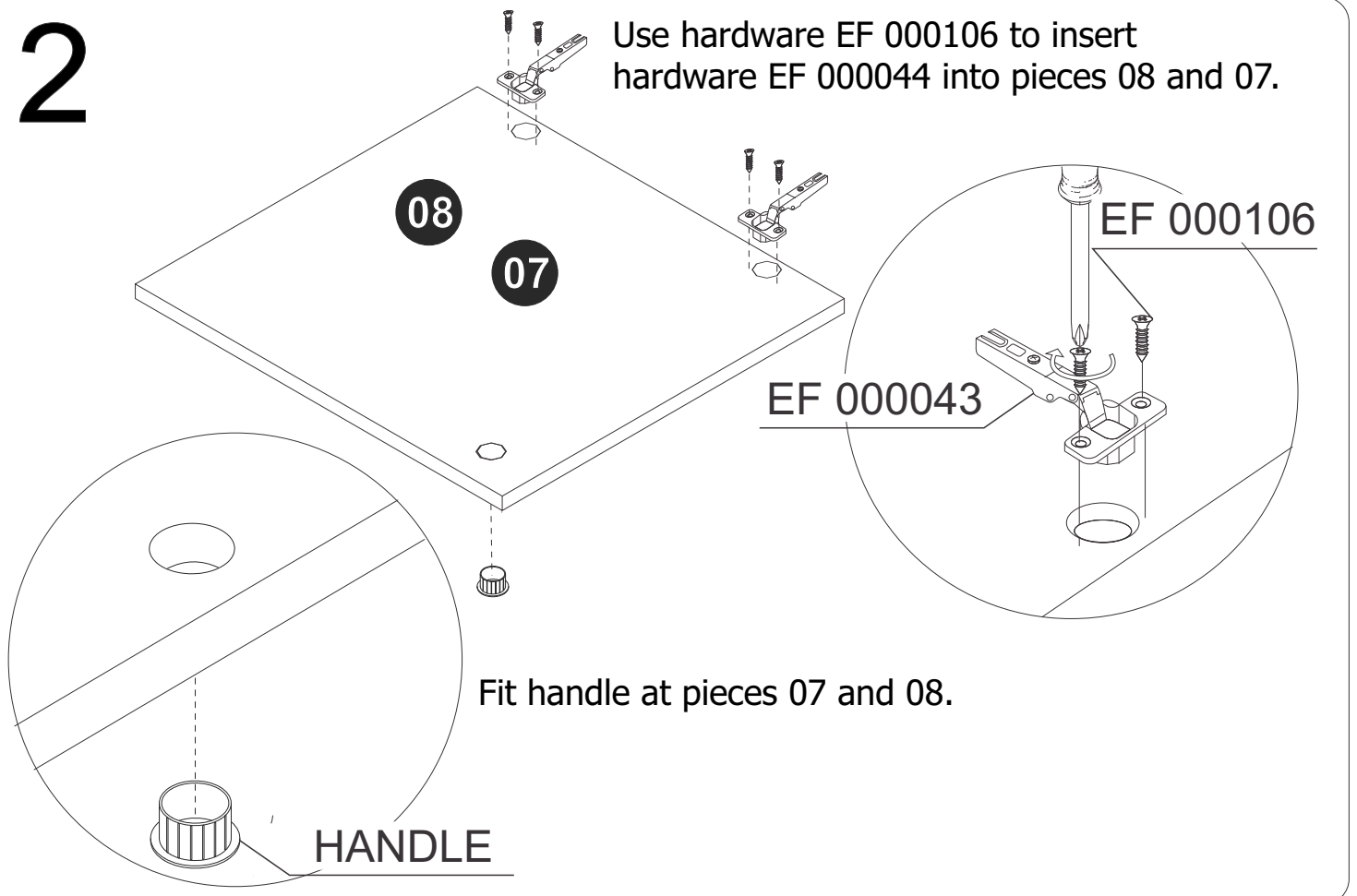
**TO IMPROVE ASSEMBLY, USE AN ELECTRONIC SCREWDRIVER**

**1** Use hardware EF 000106 to insert hardware EF 000025 into pieces 03, 04 and 05.



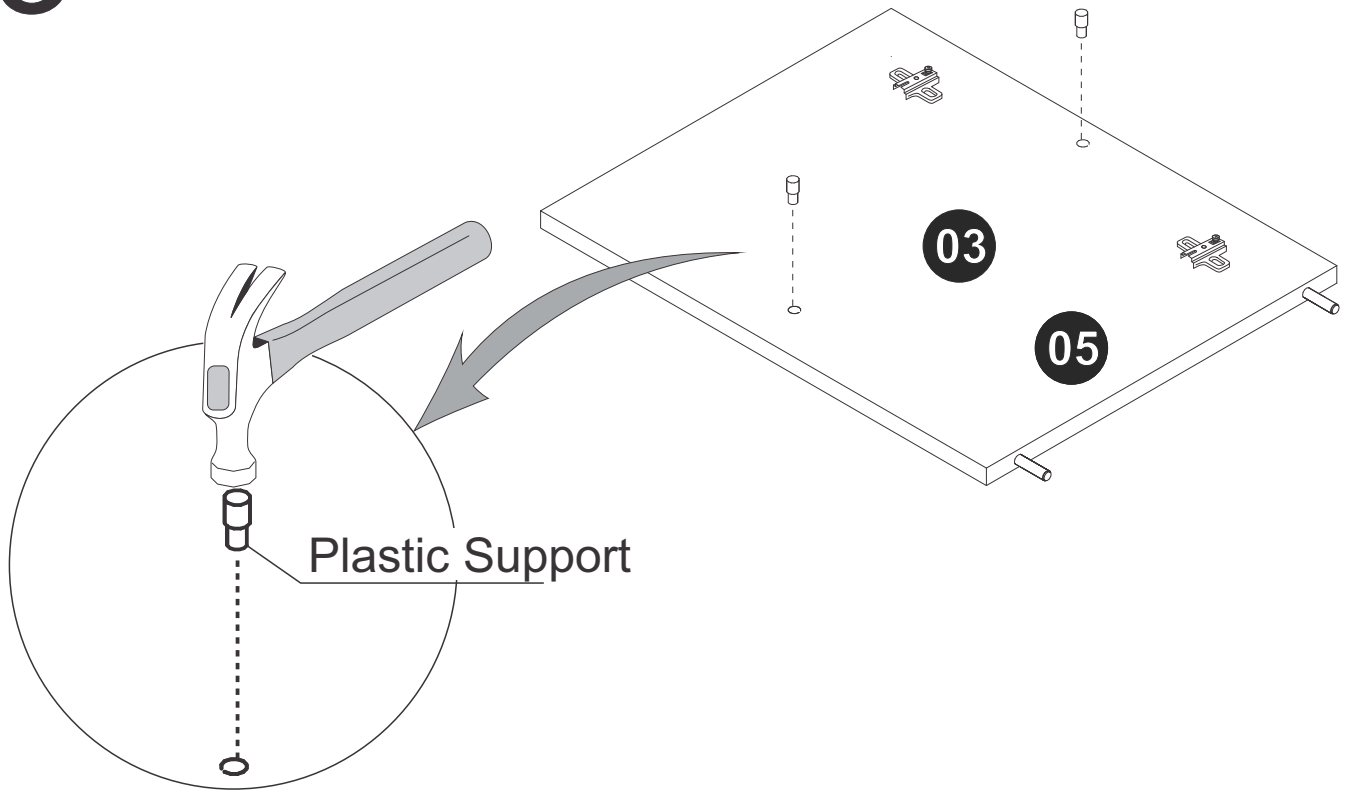
**2**

Use hardware EF 000106 to insert hardware EF 000044 into pieces 08 and 07.

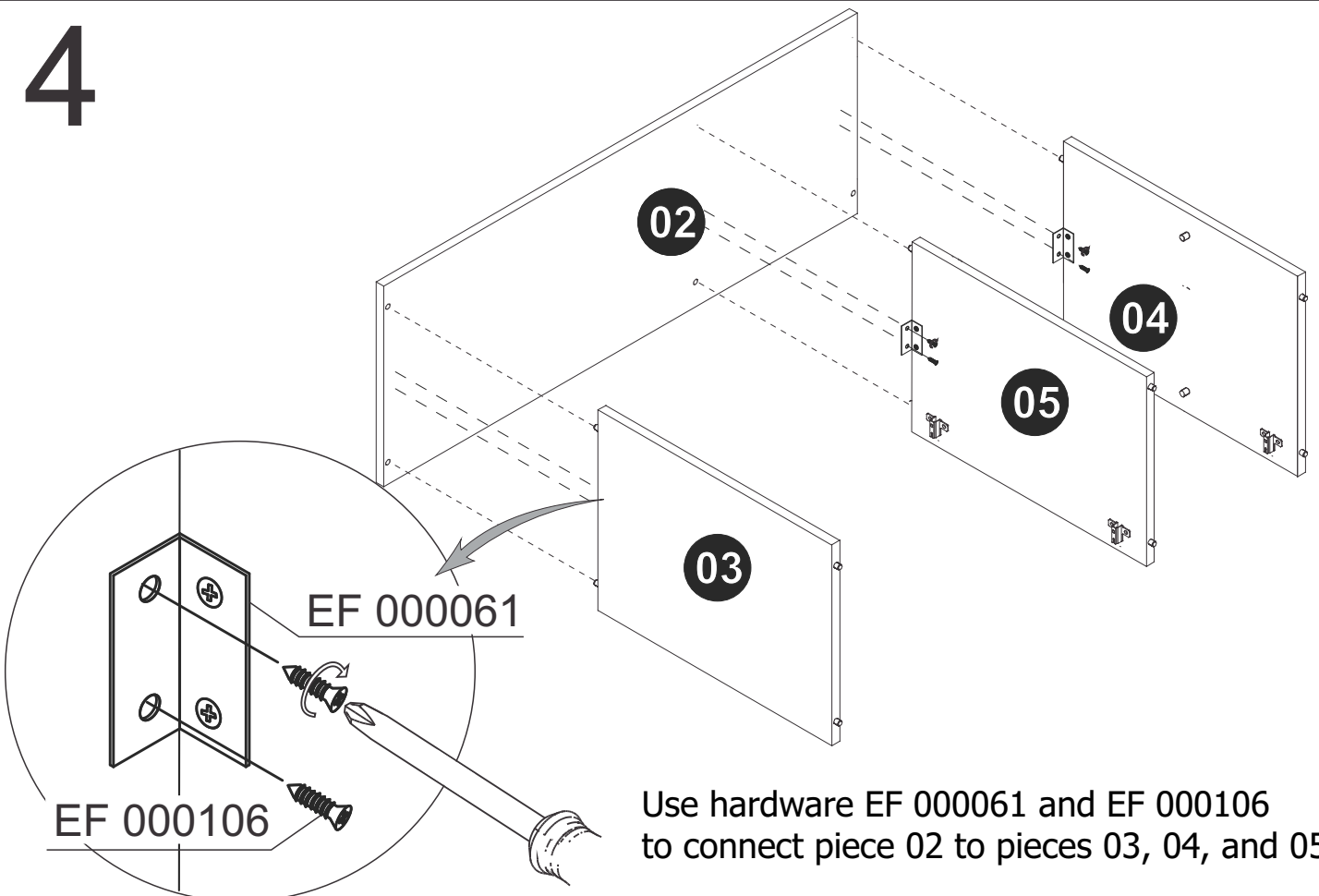


# 3

Fit plastic support at pieces 03 and 05.



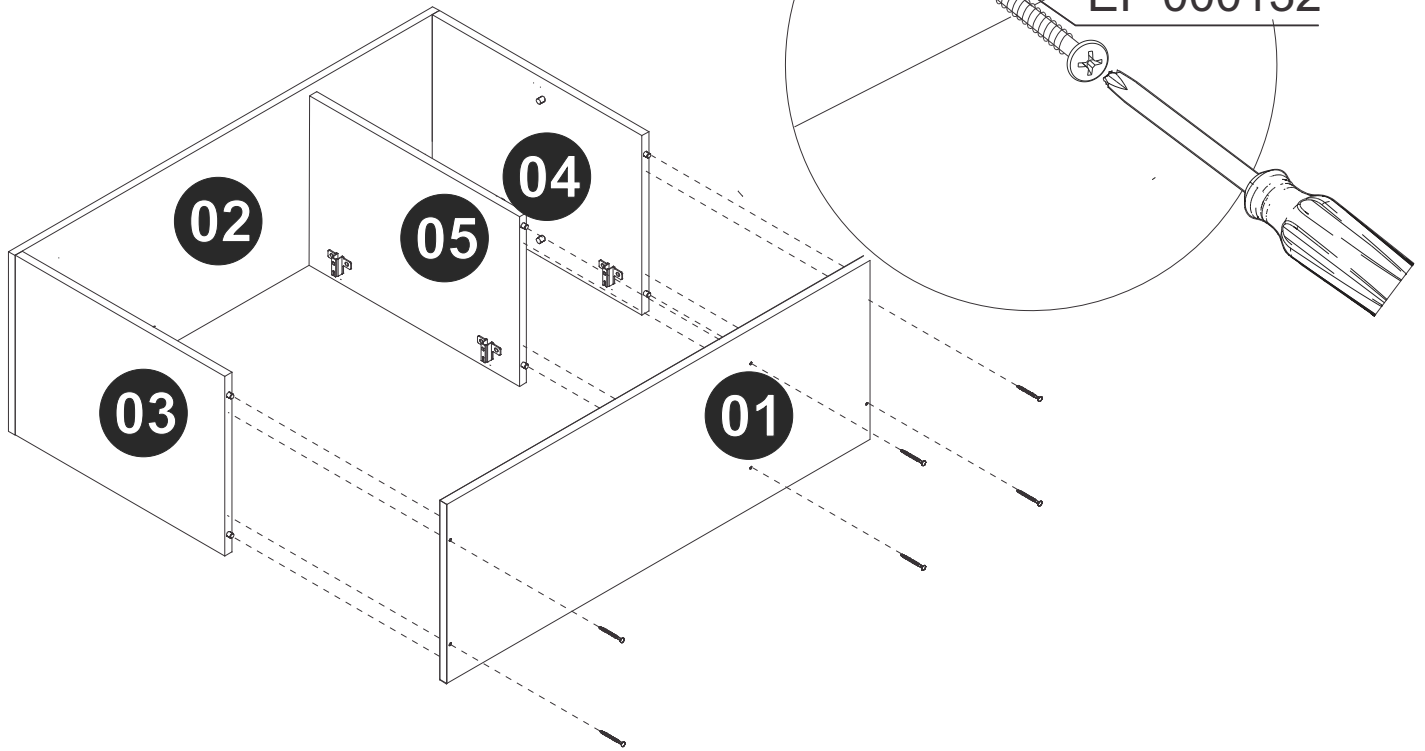
# 4



Use hardware EF 000061 and EF 000106 to connect piece 02 to pieces 03, 04, and 05.

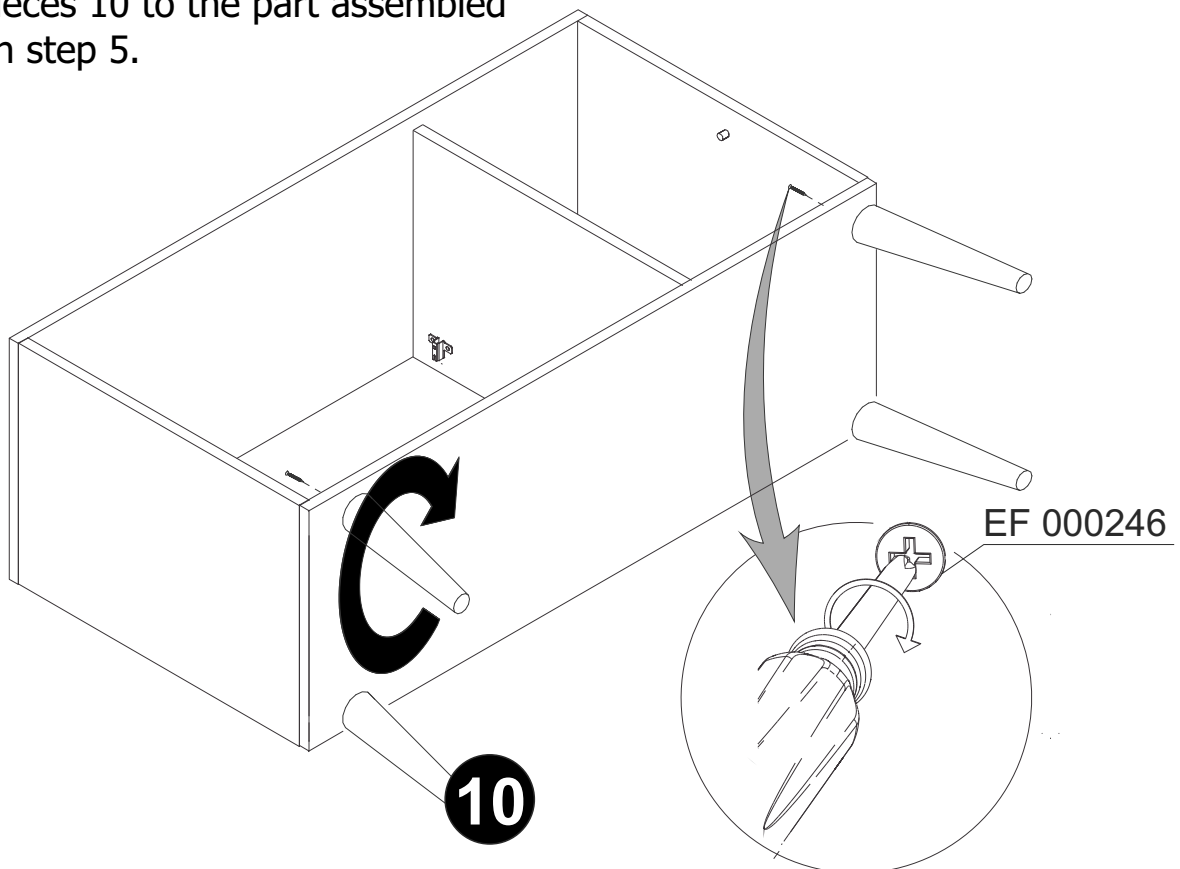
# 5

Use hardware EF 000132 to connect piece 01 to the pieces 03, 04 and 05.



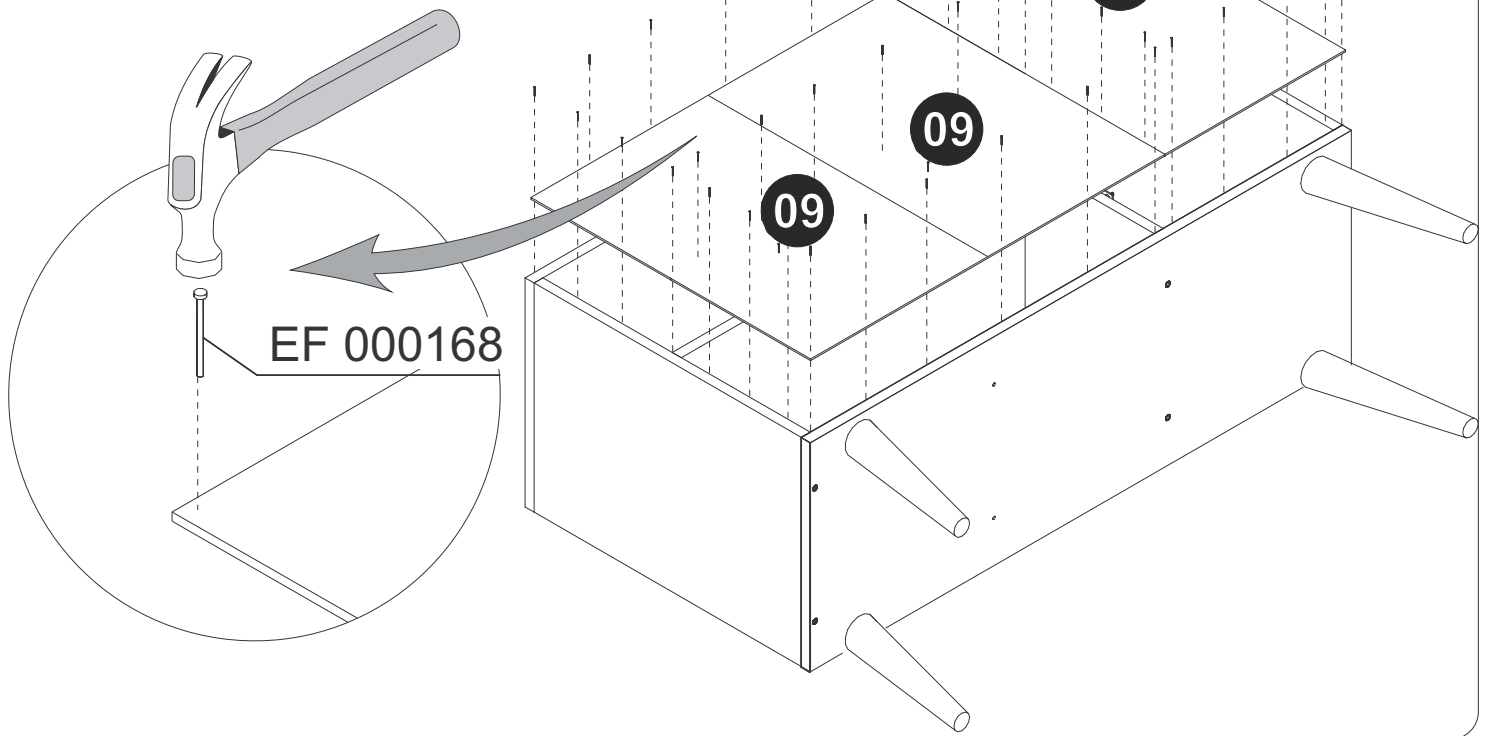
# 6

Use hardware EF 000246 to connect pieces 10 to the part assembled on step 5.



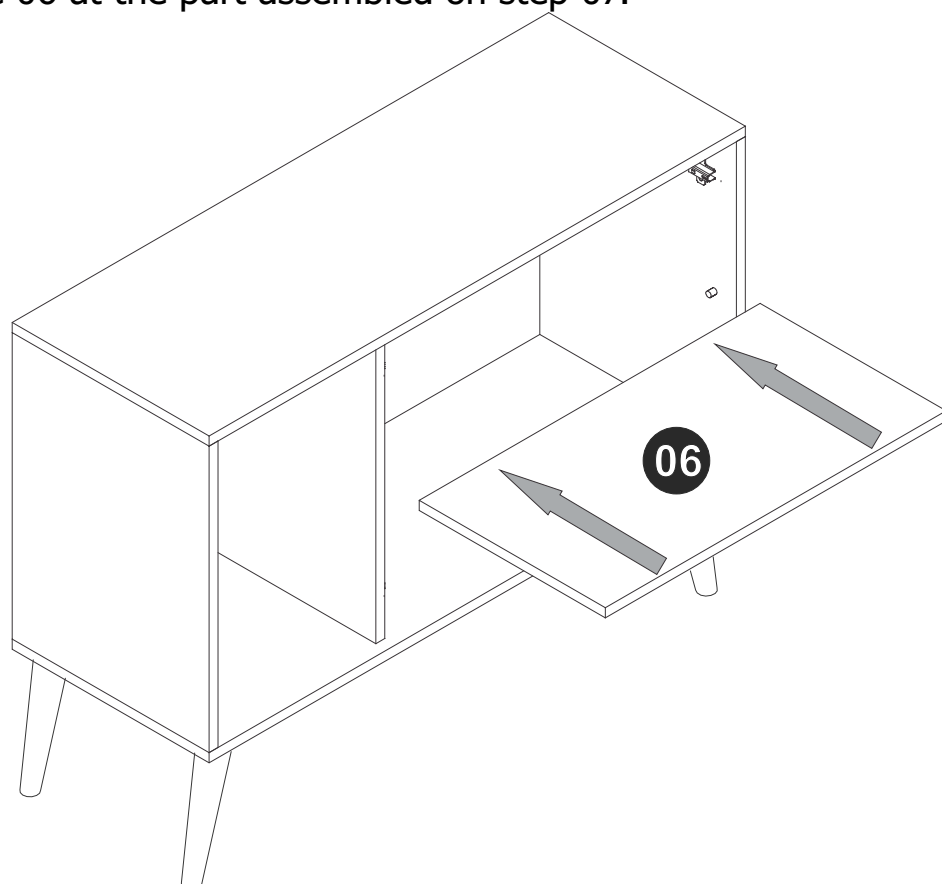
# 7

Use hardware EF 000168 to connect pieces 09 to the parts assembled on step 5.



# 8

Fit piece 06 at the part assembled on step 07.



Fit parts 07 and 08 at the parts assembled on step 8.

