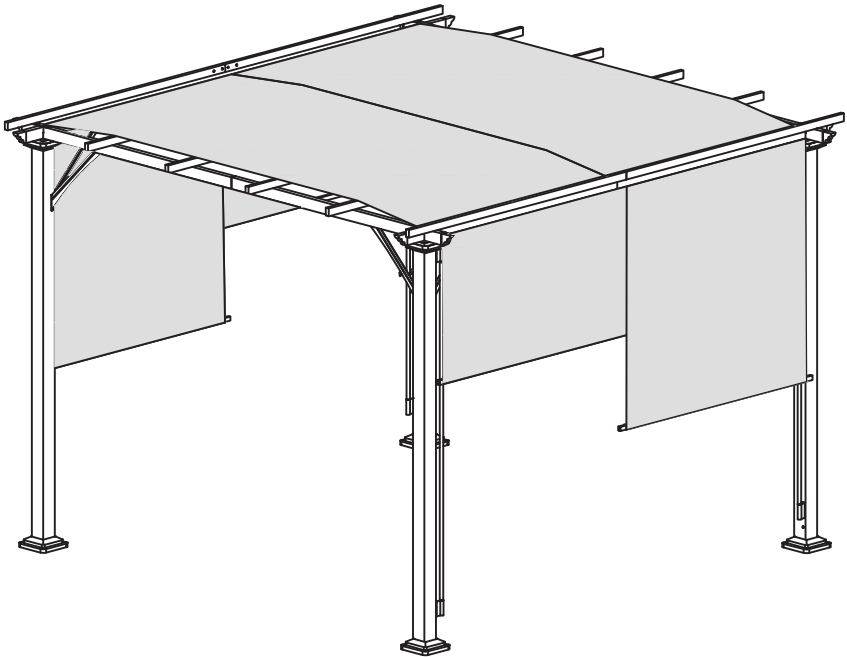


# INSTRUCTION MANUAL


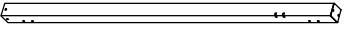
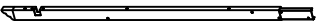
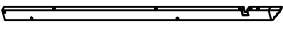
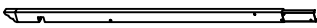










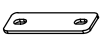





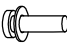
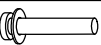
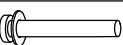


## 10 FT x 10 FT Outdoor Pergola Gazebo



**WARNING: KEEP ALL FLAME AND HEAT SOURCES AWAY FROM THIS TENT FABRIC.** This Tent is Made With Fabric That Meets CPAI-84 Specification For Flame Resistance. It is Not Fire Proof. The Fabric Will Burn If Left In Continuous Contact With Any Flame Source. The application of any foreign substance to the tent fabric may render the flame-resistant properties ineffective.

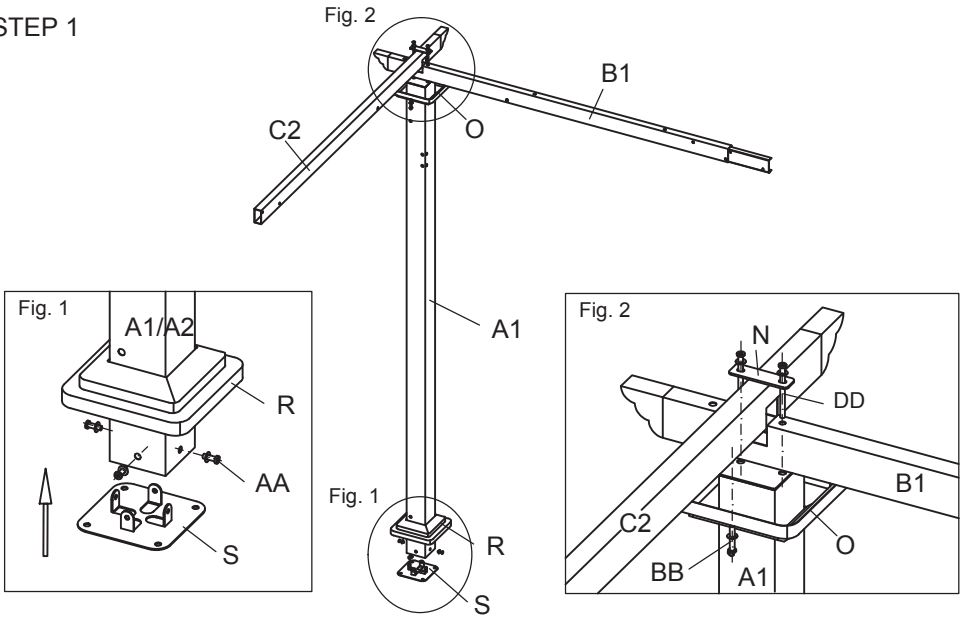
- Always read and follow the instructions before use. When assembling and using this product, basic safety precautions must always be followed to reduce the risk of personal injury and damage to the product or surroundings.
- Be sure to keep all children and pets away from the assembly area. Some parts contain sharp edges. Wear protective gloves when handling these items. It is recommended that, for safety issues, at least 2 people assemble the gazebo.
- You must schedule enough time to complete the assembly. You can not leave the unit unattended if it is not fully assembled, even if it is already anchored to the ground. You should begin the assembly no less than 6 feet from any fixed obstruction such as fences, a garage, a house, overhanging branches, electrical wires, or laundry lines. You must assemble your unit on level ground or a platform.
- The unit must be anchored to either wood, stone tiles, or concrete using appropriate screws for such flooring, or anchored into the earth or grass with proper camp nails or anchors. Failure to do so may risk it blowing away.
- Check that all screws are tight before and during usage. Do not place any type of heat conductor or source under, or within 5 feet of the unit including, but not limited to, a barbeque or space heater.
- The gazebo is designed to provide shade only. Do not use this gazebo in strong wind and rain. Wind and rain can damage the gazebo and could result in injury to you and others.

# PARTS LIST

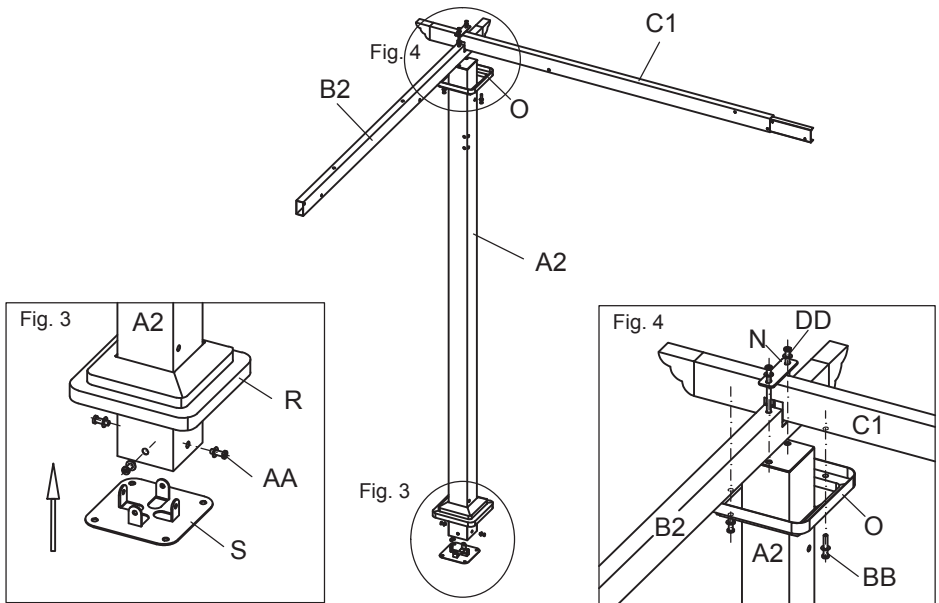
	Description	Sketch	QTY.
A1	Post A1		2 pcs
A2	Post A2		2 pcs
B1	Cross Beam B1		2 pcs
B2	Cross Beam B2		2 pcs
C1	Cross Beam C1		2 pcs
C2	Cross Beam C2		2 pcs
D1	Roof Tube1		6 pcs
D2	Roof Tube2		6 pcs
E1	Pulling Rod E1		2 pcs
E2	Pulling Rod E2		2 pcs
F	Guide Tube		4 pcs
G	Bracket		8 pcs
H1	Corner Support H1		4 pcs
H2	Corner Support H2		4 pcs
M	Bracket M		4 pcs
N	Bracket N		4 pcs
O	Post Decoration O		4 pcs
R	Post Decoration R		4 pcs
S	Post Hoof		4 pcs
P	Shade Fabric		2 pcs
AA	Bolt (M6x12)		84 pcs
BB	Bolt (M6x35)		8 pcs
CC	Bolt (M6x55)		12 pcs
DD	Bolt (M6x75)		8 pcs
EE	Allen Key		2 pcs
FF	Anchor		8 pcs

# Assembly

## STEP 1

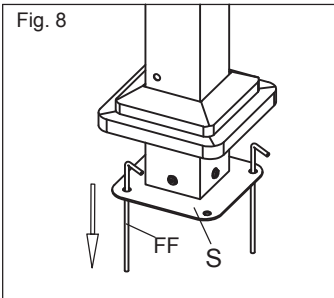
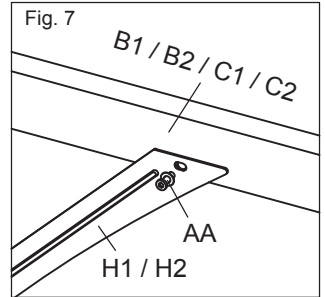
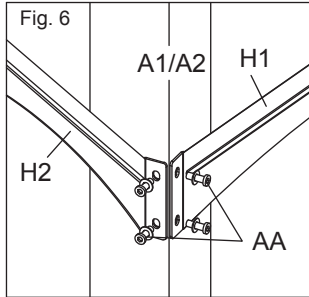
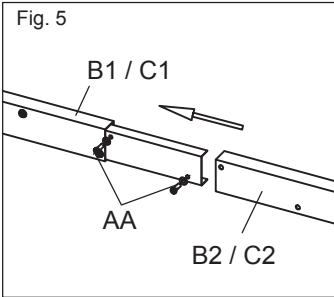
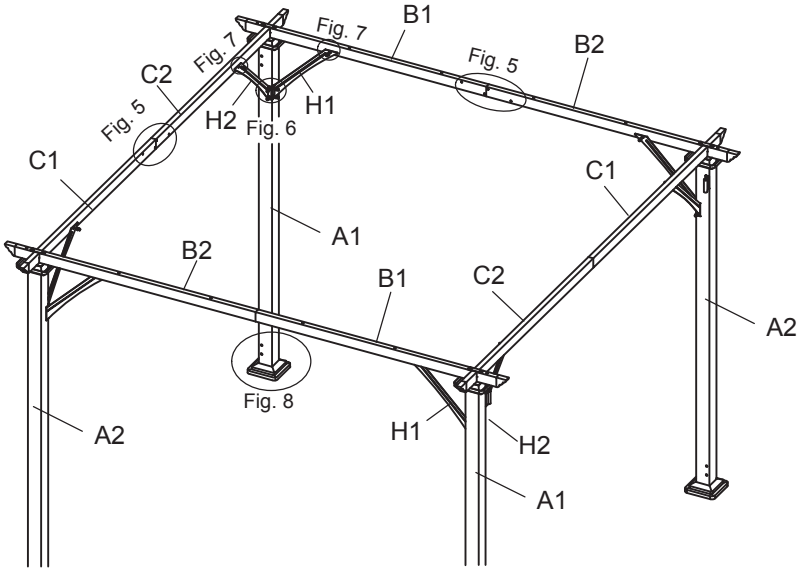


## STEP 2



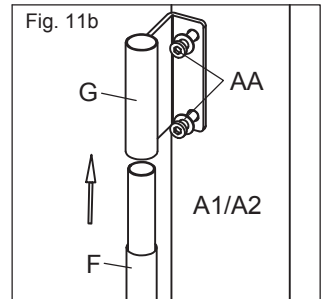
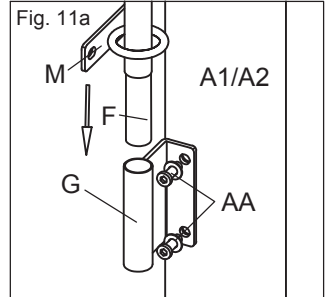
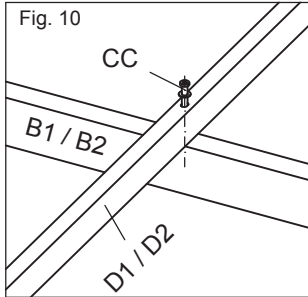
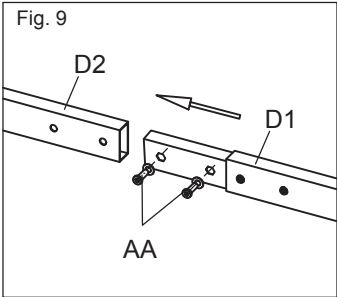
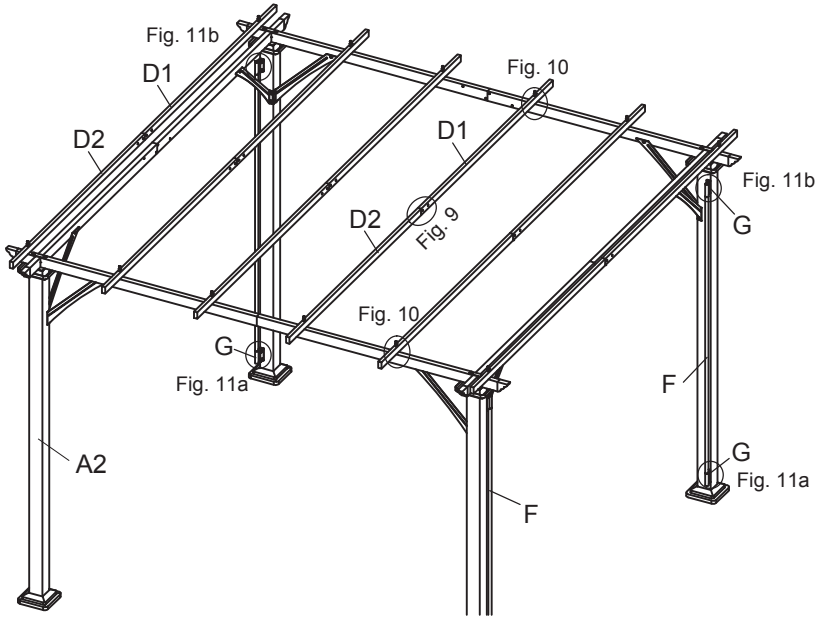
# Assembly

## STEP 3



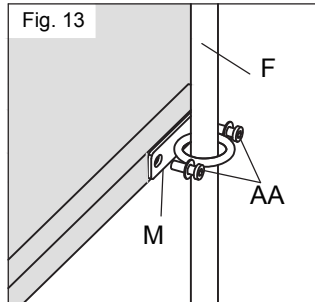
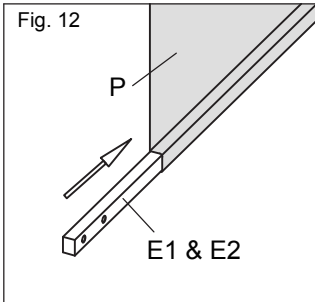
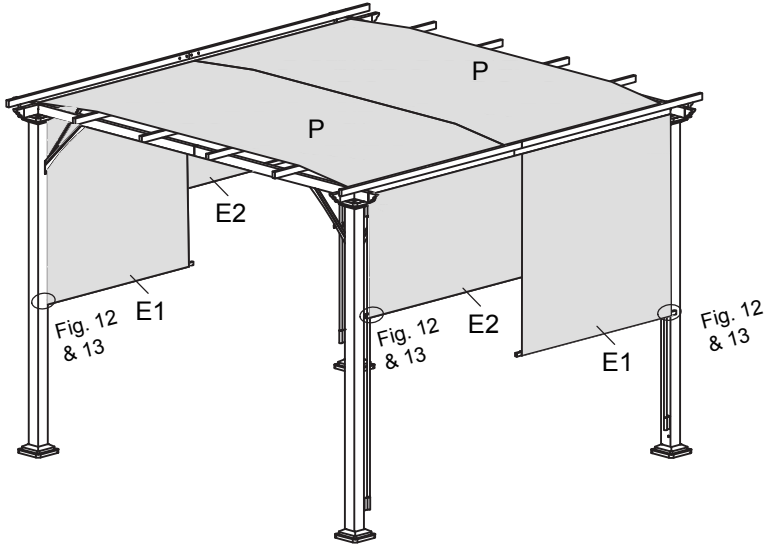
# Assembly

STEP 4



# Assembly

## STEP 5



# Assembly

---

## STEP 6

