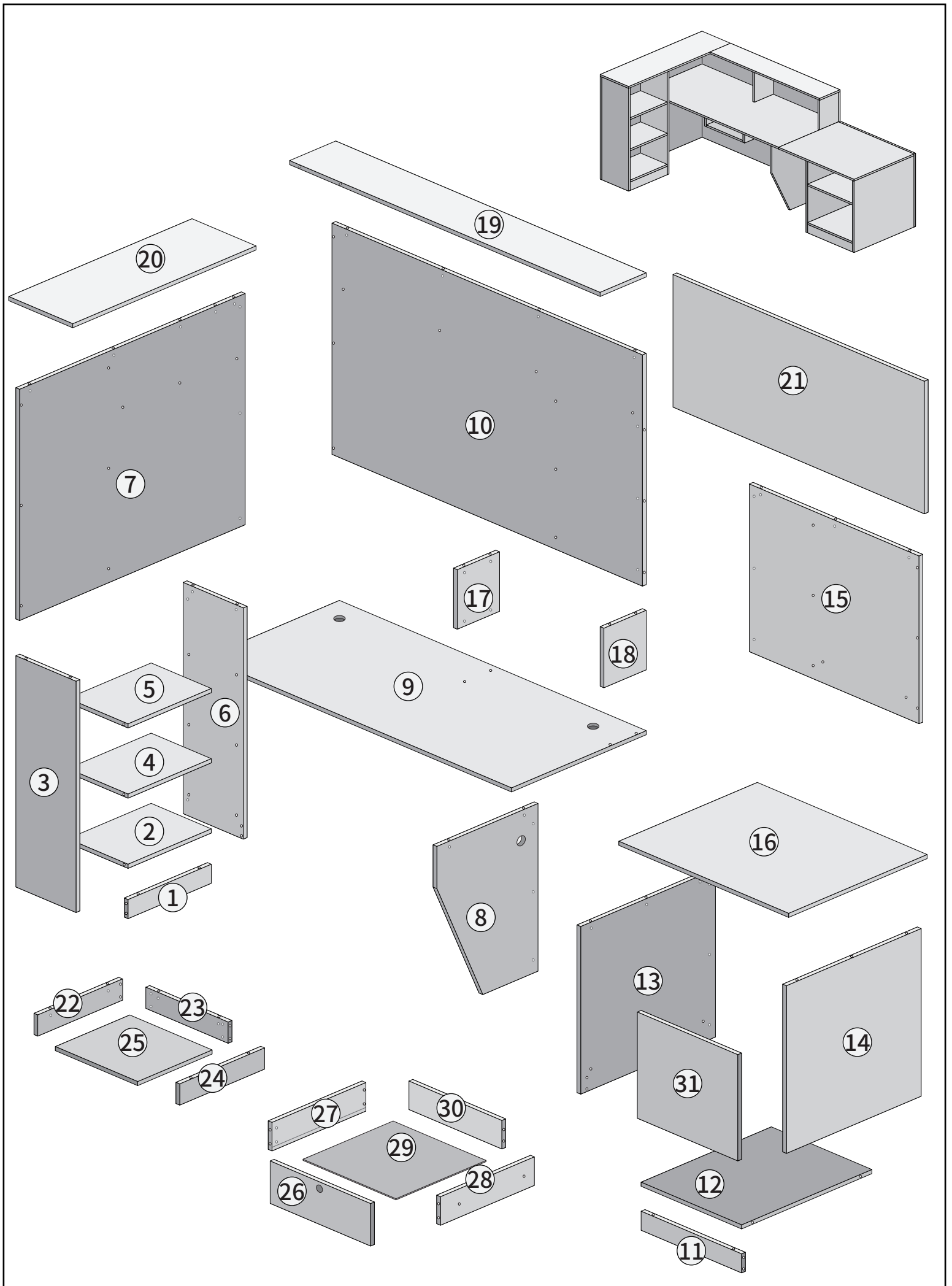
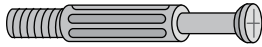

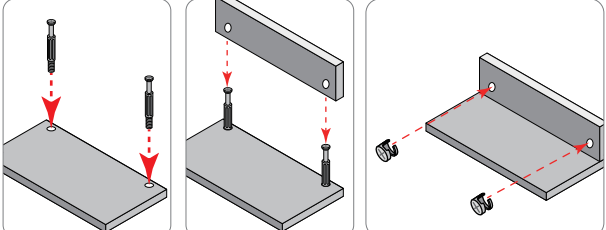
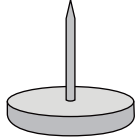
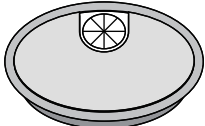

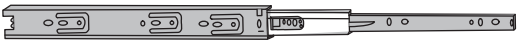
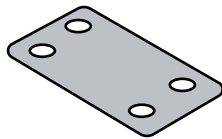
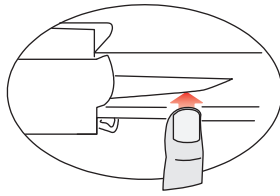
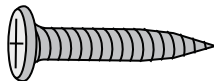
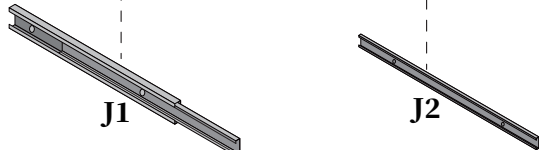
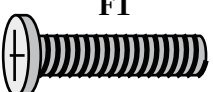

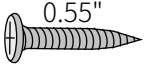
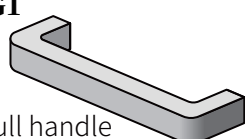

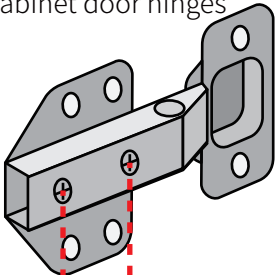
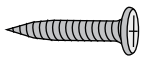

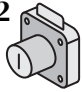

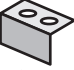
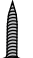


# INSTALLATION INSTRUCTIONS



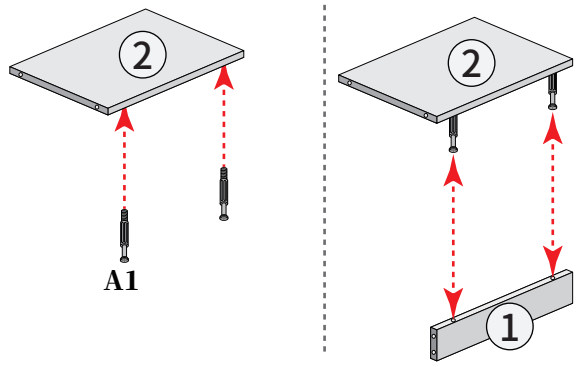
# PARTS LIST

<p><b>A</b></p>	<p><b>A1</b></p>  <p>Three-in-one screw</p> <p>(The 3-in-1 connector consists of two parts)</p>	<p><b>A2</b></p>  <p>Eccentric nut</p>	
<p><b>B</b></p>	 <p>Anti-slip nail</p>	<p><b>I</b></p>	 <p>Cable holes</p>
<p><b>C</b></p>	 <p>Double-headed connecting screw</p>	<p><b>J</b></p>	<p>Drawer slide rail</p> 
<p><b>D</b></p>	 <p>Double-ended connector</p>	<p><b>J</b></p>	
<p><b>E</b></p>	 <p>Self-tapping screw</p>	<p><b>J</b></p>	 <p>(It can be disassembled into the inner rail and the outer rail)</p>
<p><b>F</b></p>	<p><b>F1</b></p>  <p>Flat head screw</p> <p><b>F2</b></p>  <p>Pre-buried parts</p>	<p><b>J</b></p>	<p><b>J3</b> 0.55"</p>  <p>The installation of the guide rail requires 0.55" long self-tapping screws.</p>
<p><b>G</b></p>	<p><b>G1</b></p>  <p>Pull handle</p> <p><b>G2</b></p>  <p>Self-tapping screw</p>	<p><b>K</b></p>	<p><b>K1</b></p>  <p>Cabinet door hinges</p> <p><b>K2</b></p>  <p>Self-tapping screw</p>
<p><b>H</b></p>	<p><b>H1</b></p>  <p>Lock cover</p> <p><b>H2</b></p>  <p>Drawer lock</p> <p><b>H3</b></p>  <p>Self-tapping screw</p> <p><b>H4</b></p>  <p>Lock piece</p> <p><b>H5</b></p>  <p>Self-tapping screw</p>	<p><b>K</b></p>	<p>This screw can adjust the left-right gap between the door panel and the cabinet body.</p> <p>This screw can adjust the front-back gap between the door panel and the cabinet body.</p>

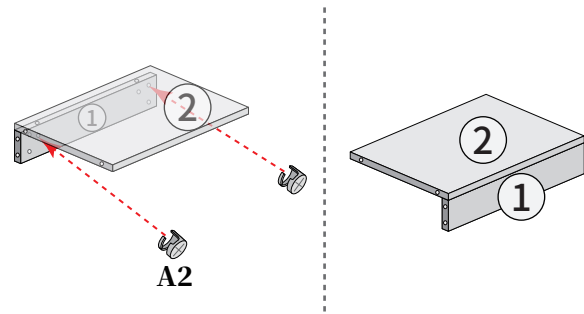
### STEP 1

Install the #A1 (three-in-one screw) into the hole on the #2 board.

Align the #1 board with the screw, and then join the two boards together.



Fix the A2 (eccentric nut) into the hole position

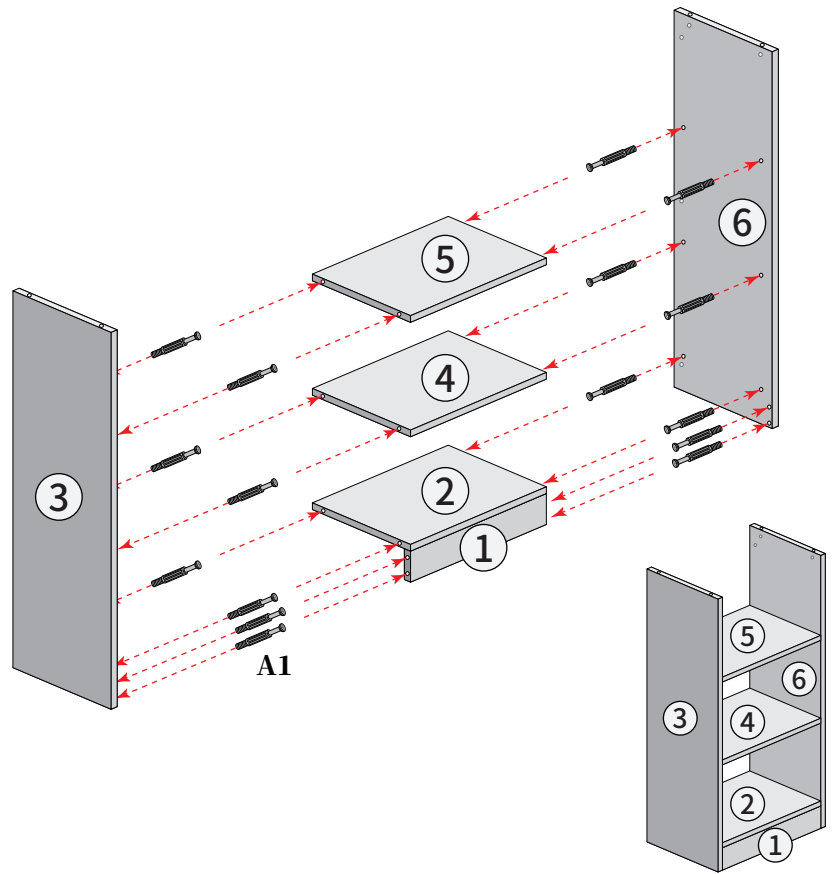


Every two boards will be combined together in this way.

### STEP 2

Assemble the high cabinet

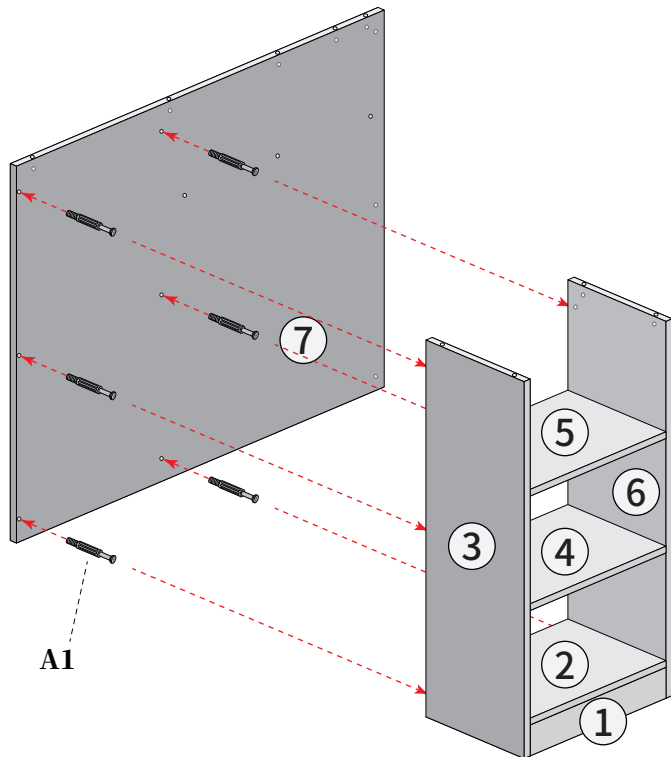
Assemble the following board together using #A1 and fix it with #A2.



### STEP 3

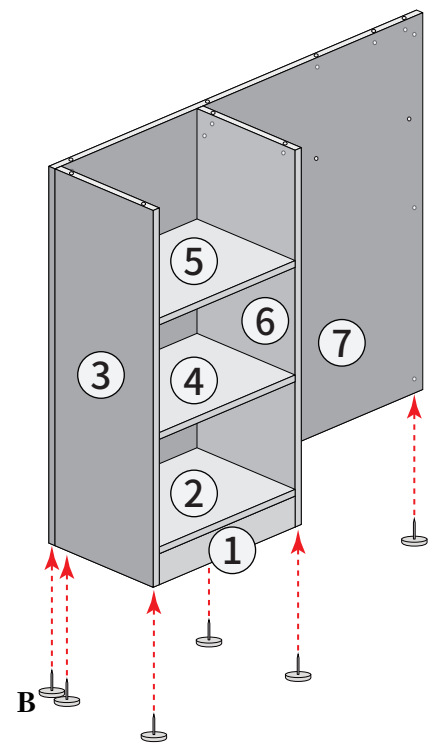
Install board #7 behind the tall cabinet.

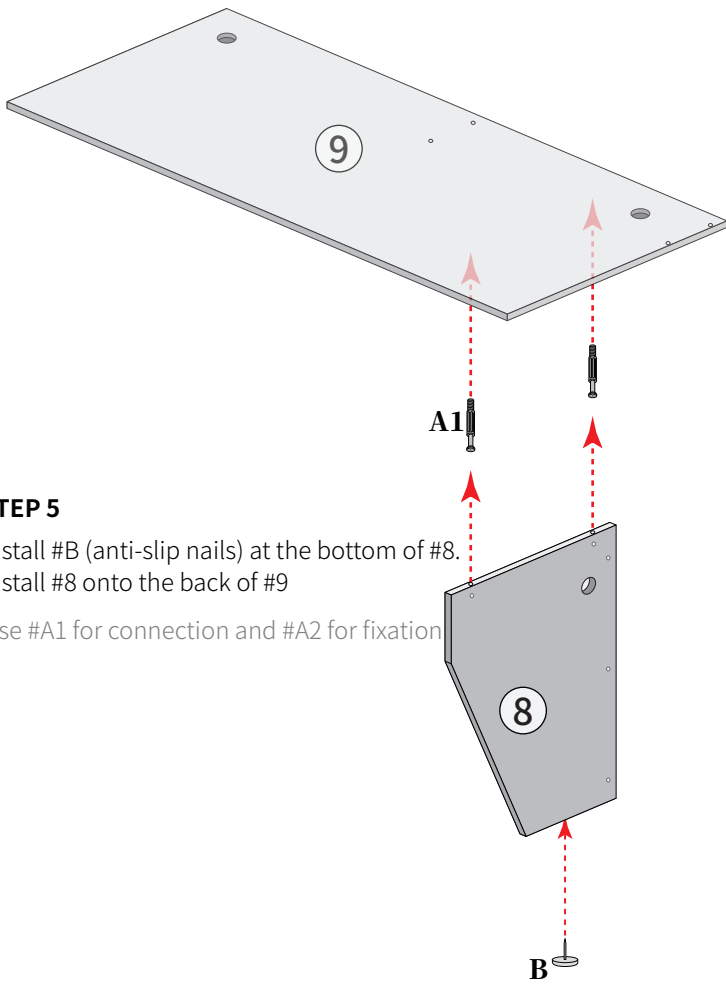
Use #A1 for connection and #A2 for fixation



### STEP 4

Install #B anti-slip spikes on the bottom part that contacts the ground.



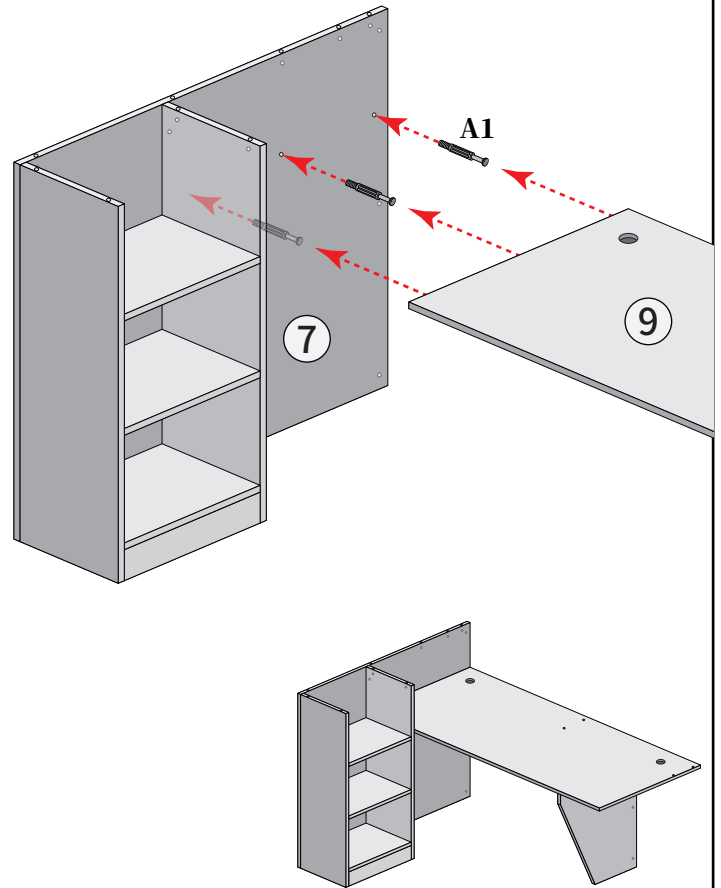


**STEP 5**

Install #B (anti-slip nails) at the bottom of #8.  
Install #8 onto the back of #9  
Use #A1 for connection and #A2 for fixation

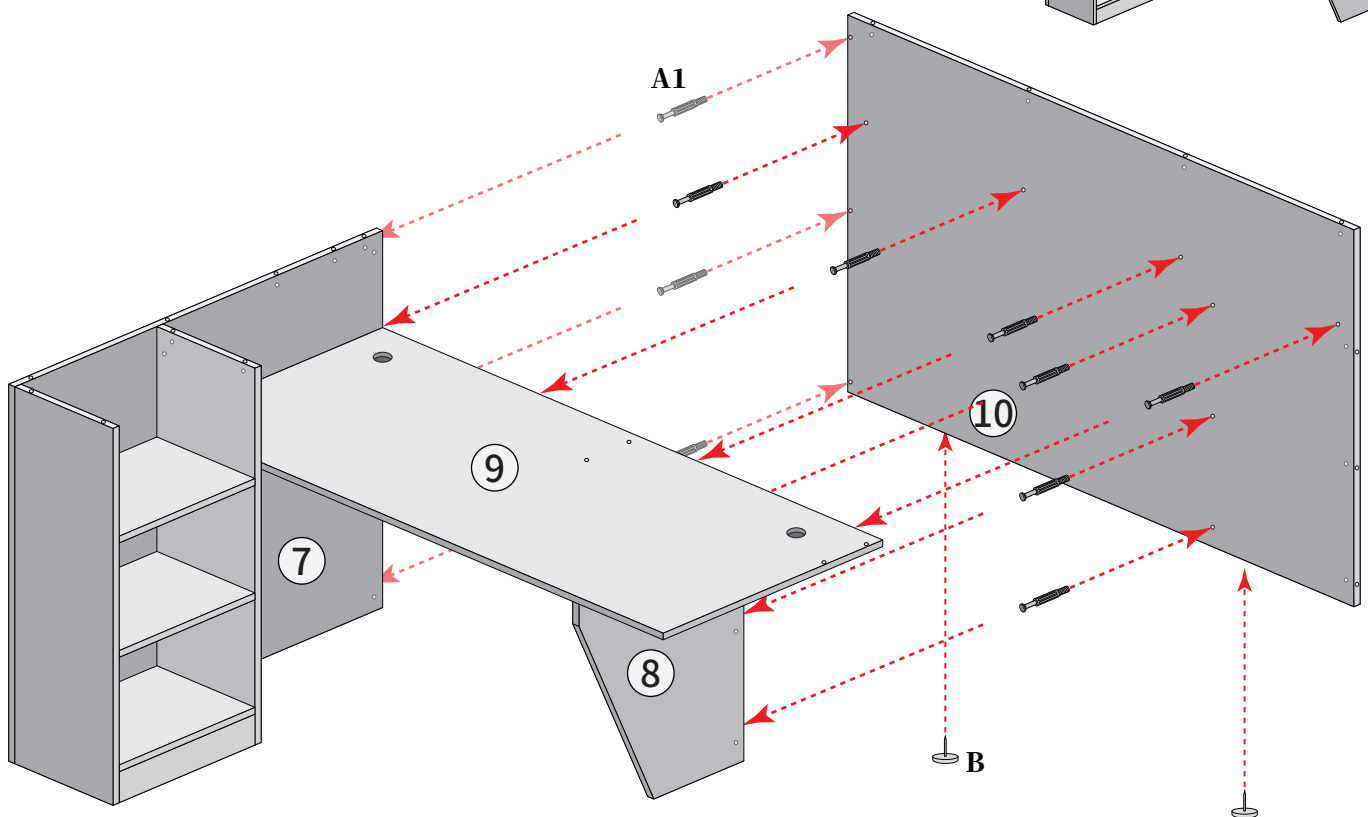
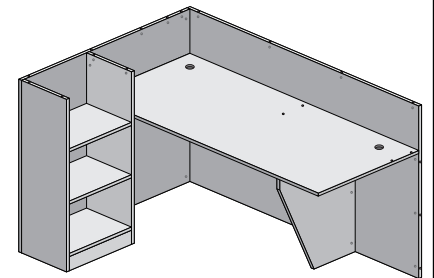
**STEP 6**

Install the #9 board onto the side of the #7 board.  
Use #A1 for connection and #A2 for fixation



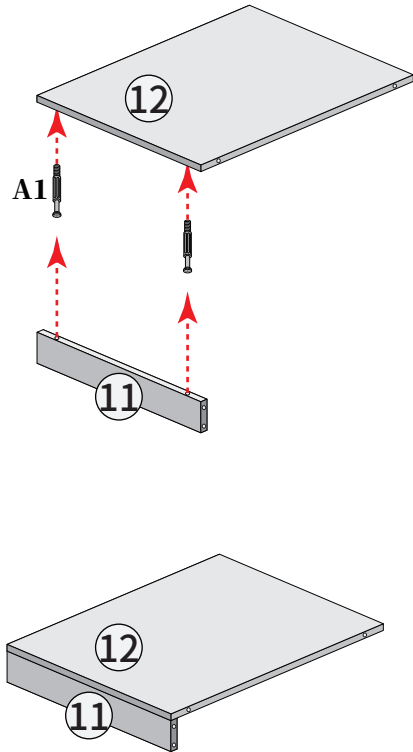
**STEP 7**

Install Board #10  
Use #A1 for connection and #A2 for fixation

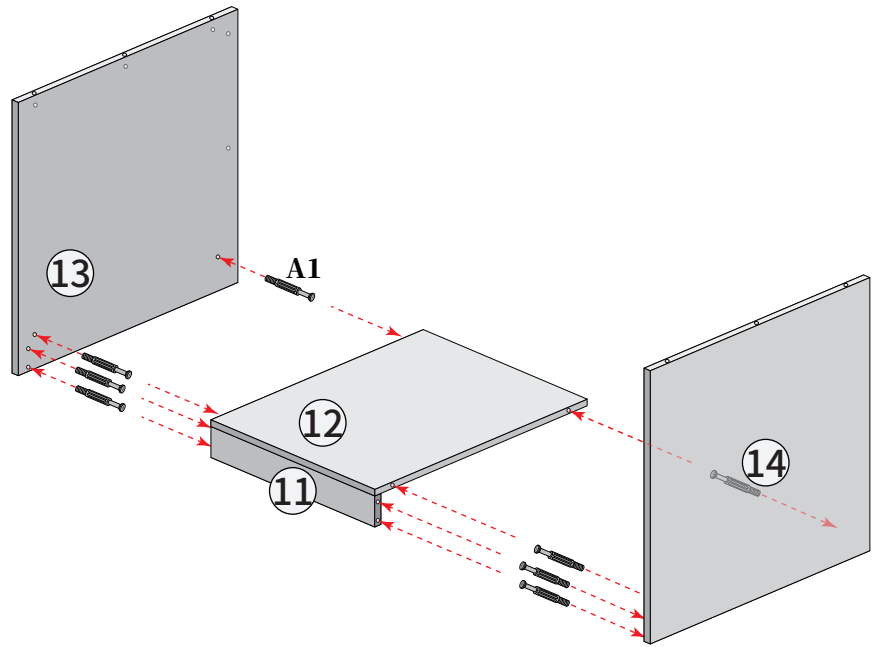


**STEP 8**

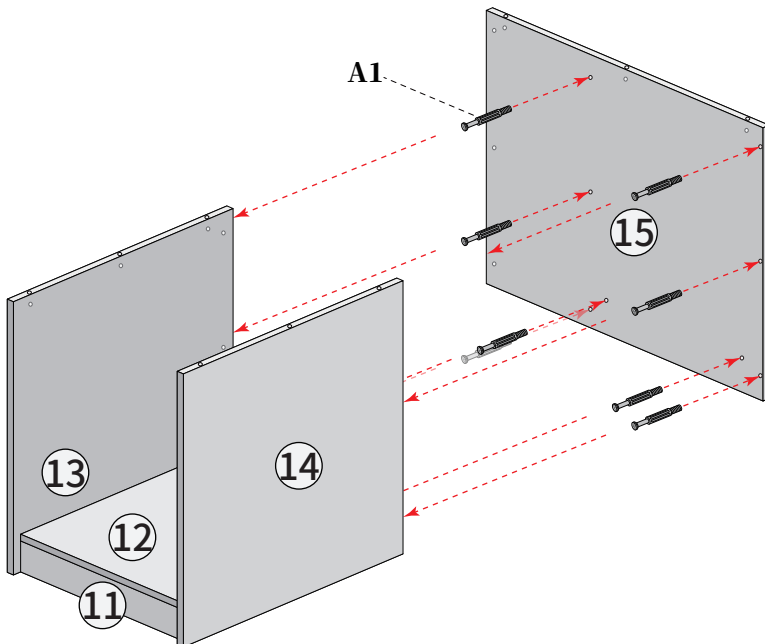
Assemble the #11 board and the #12 board together  
Use #A1 for connection and #A2 for fixation

**STEP 9**

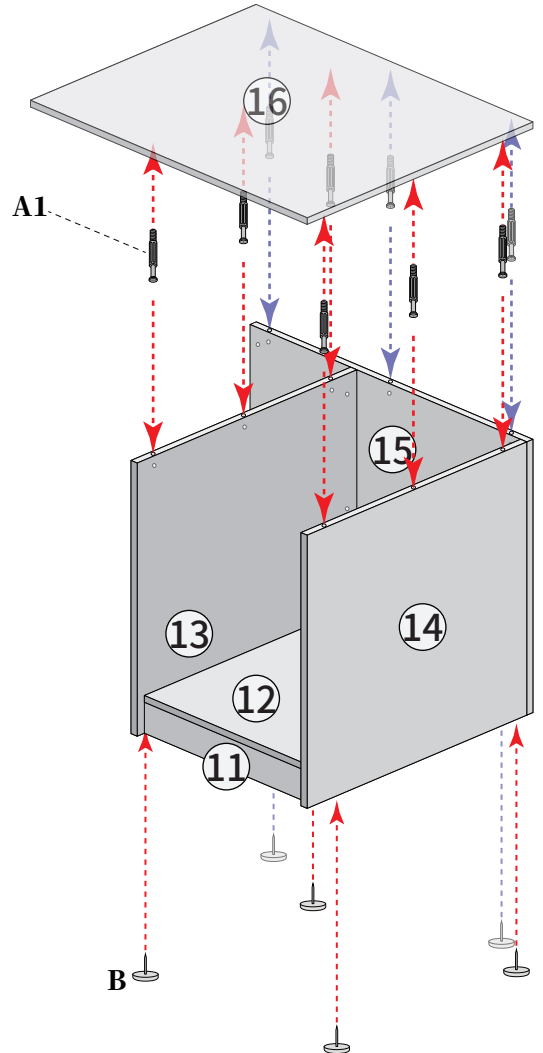
Install the #13 board and the #14 board to the sides of them.  
Use #A1 for connection and #A2 for fixation

**STEP 10**

Install the #15 board behind them.  
Use #A1 for connection and #A2 for fixation

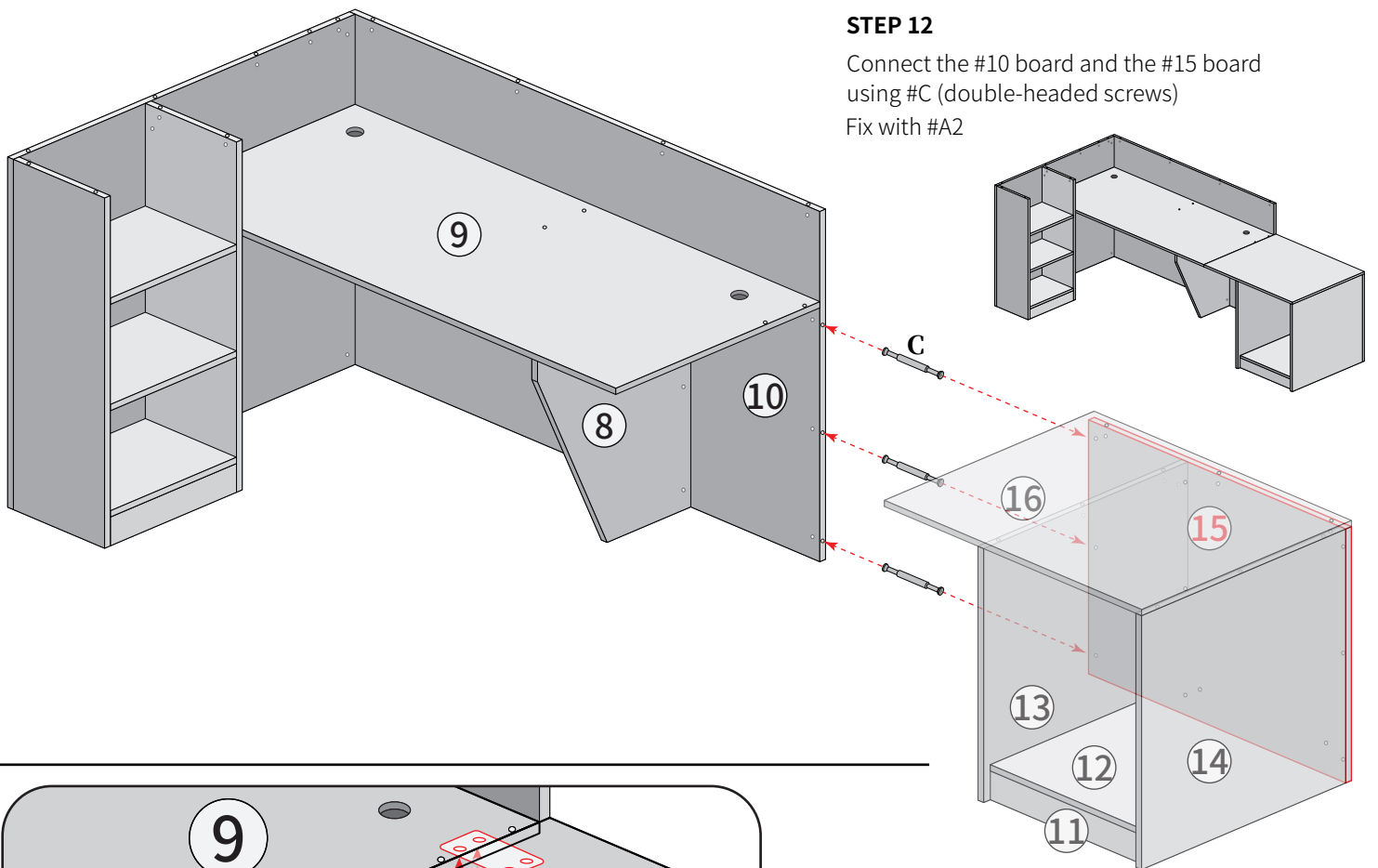
**STEP 11**

Install #B (anti-slip nails) at the bottom of them.  
Install the #16 board on top of them.  
Use #A1 for connection and #A2 for fixation



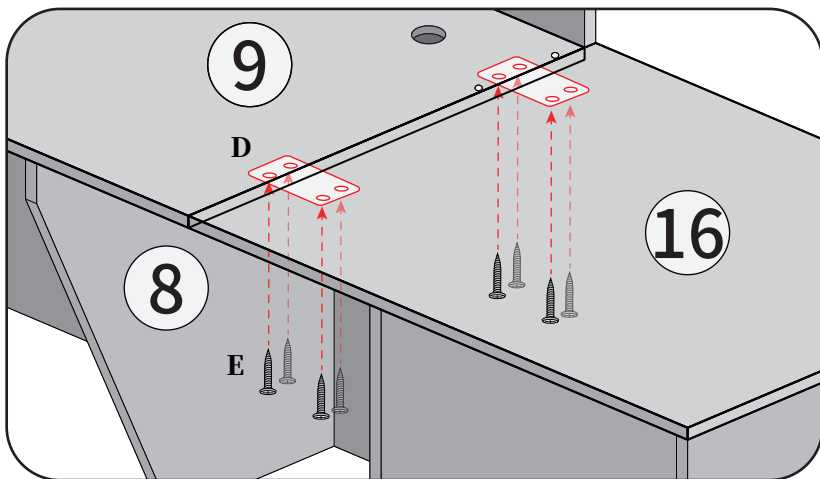
**STEP 12**

Connect the #10 board and the #15 board using #C (double-headed screws)  
Fix with #A2



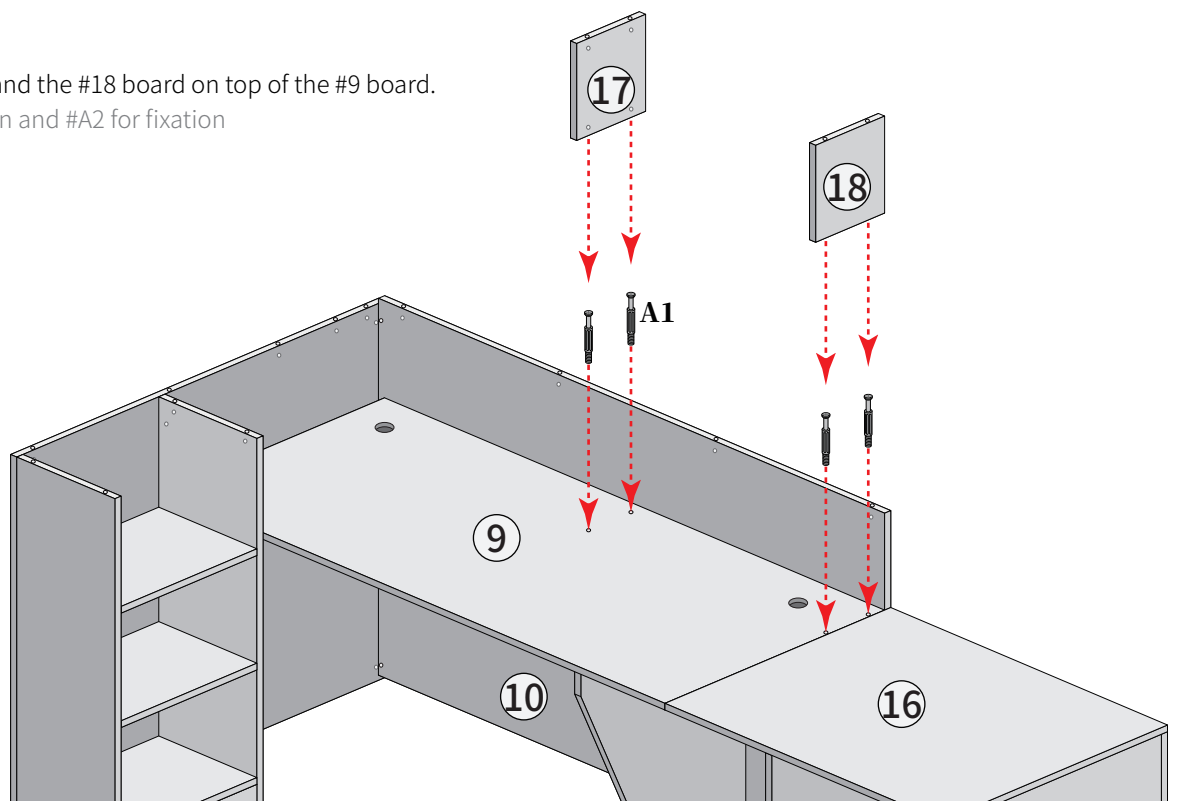
**STEP 13**

Install #D (dual-ended connector) at the bottom of the connection between #9 board and #16 board, and fix #D with #E (self-tapping screws).



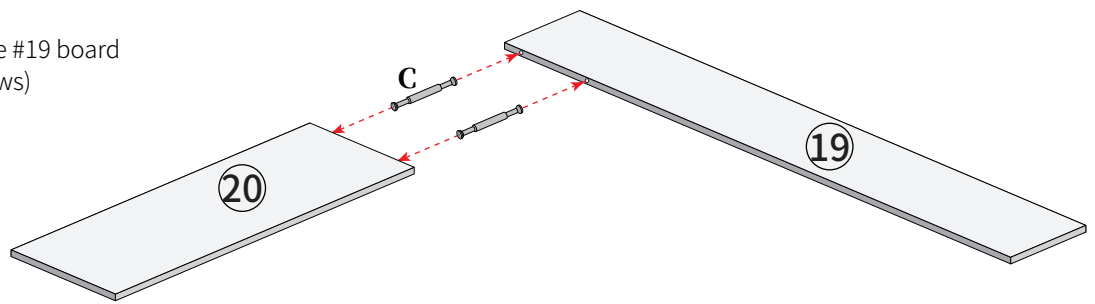
**STEP 14**

Install the #17 board and the #18 board on top of the #9 board.  
Use #A1 for connection and #A2 for fixation



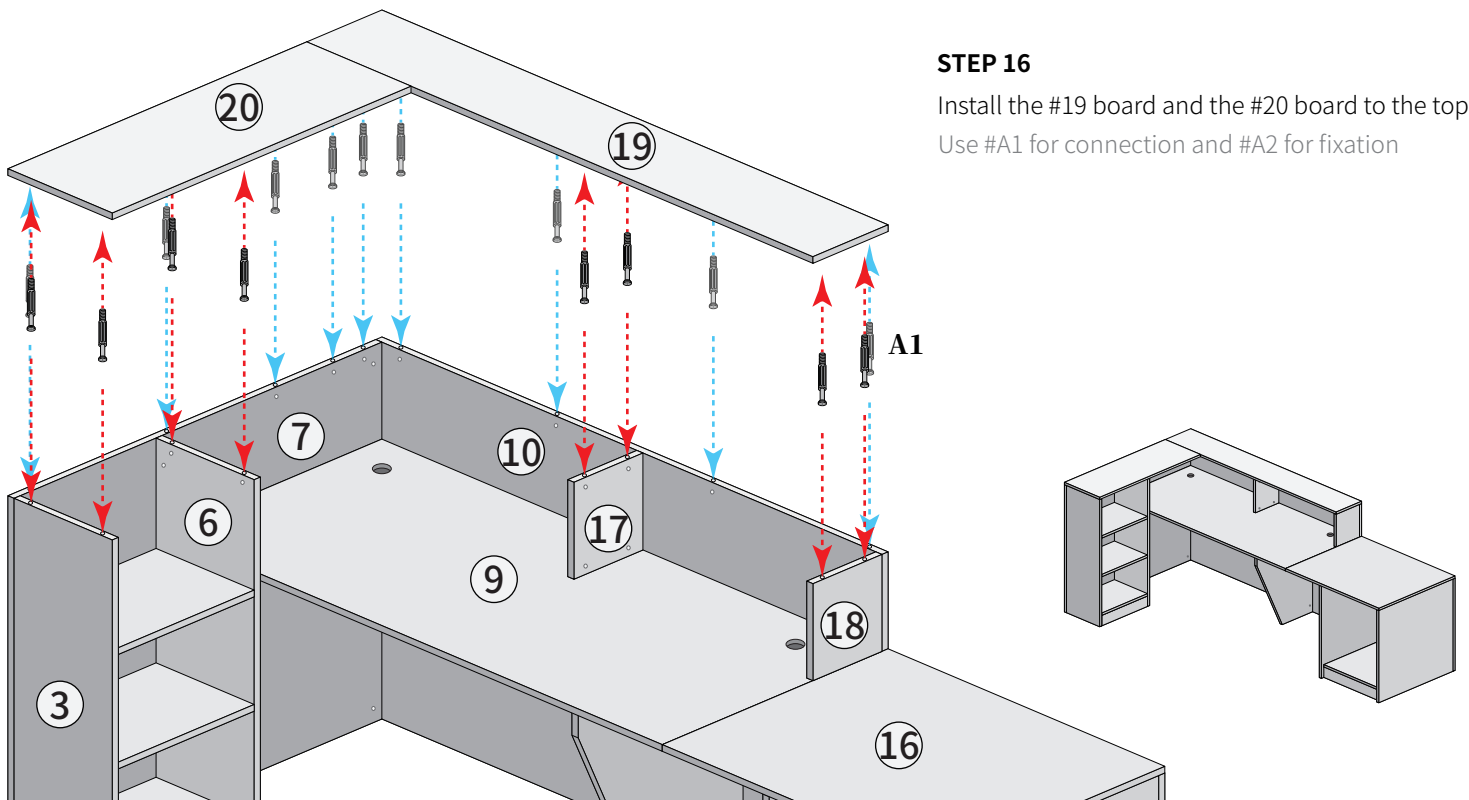
### STEP 15

Connect the #20 board and the #19 board using #C (double-headed screws)  
Fix with #A2



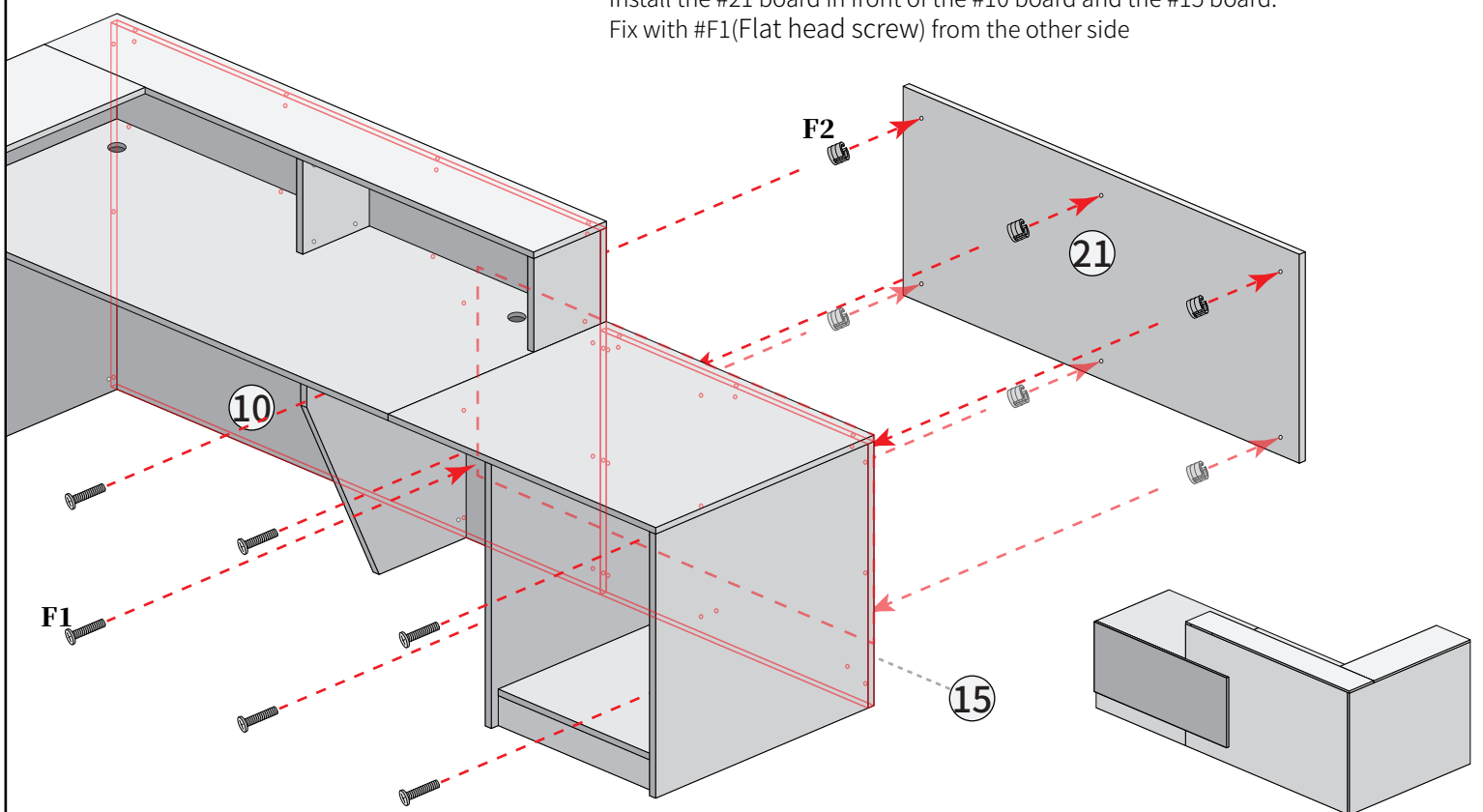
### STEP 16

Install the #19 board and the #20 board to the top.  
Use #A1 for connection and #A2 for fixation



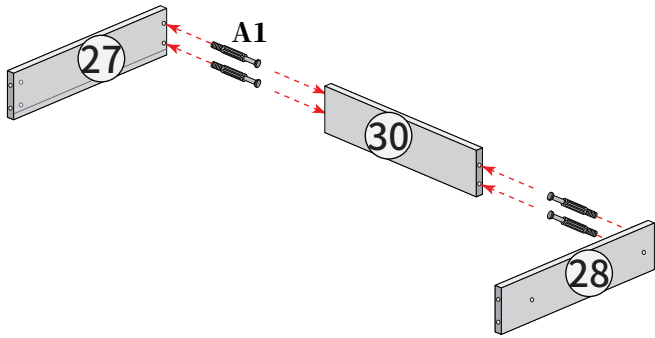
### STEP 17

Install #F2 (pre-buried parts) onto #21.  
Install the #21 board in front of the #10 board and the #15 board.  
Fix with #F1 (Flat head screw) from the other side

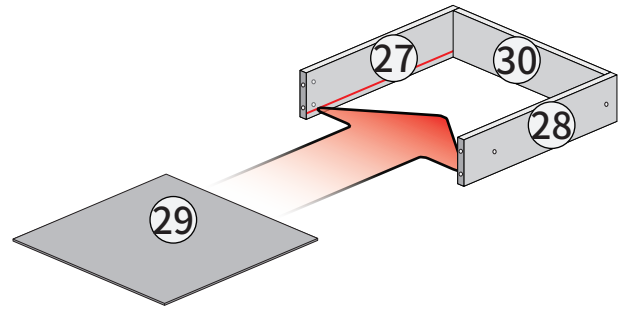


### STEP 18

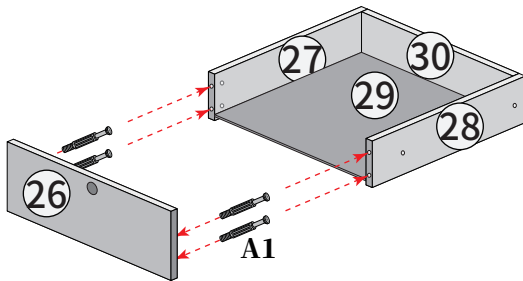
Assemble the #27 board, the #28 board and the #30 board together.  
Use #A1 for connection and #A2 for fixation



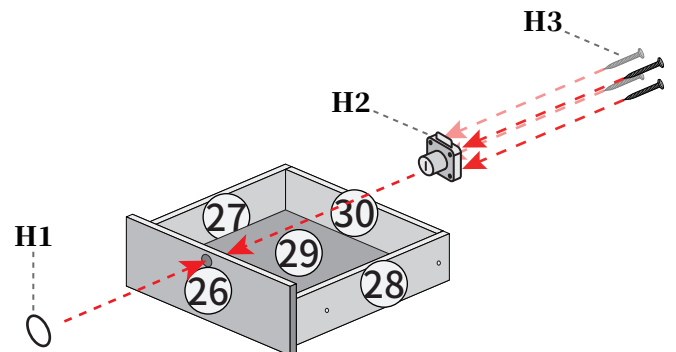
Insert the #29 board into the grooves of the #27 and #28 boards.



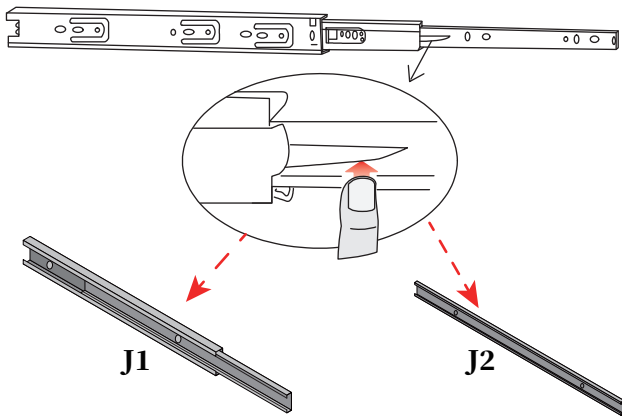
Install the #26 board onto the #27 board and the #28 board.  
Use #A1 for connection and #A2 for fixation



Install #H2(Drawer lock) into the hole on #26 board,  
then fix it with #H3. Install #H1(Lock cover) on the other side.

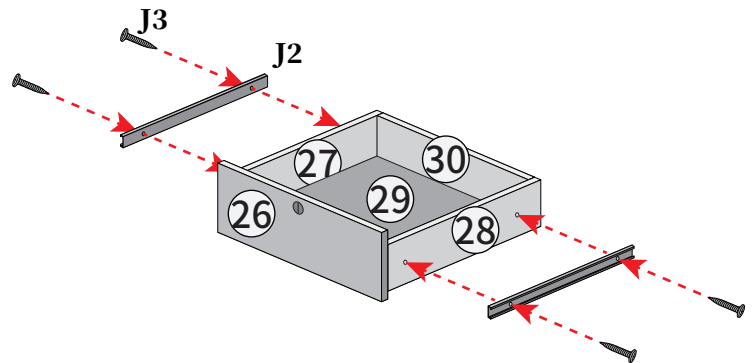


Split the guide rail into #J1 and #J2

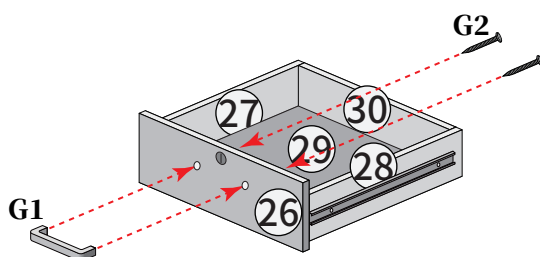


Install #J2 on both sides of the drawer and fix it with #J3.

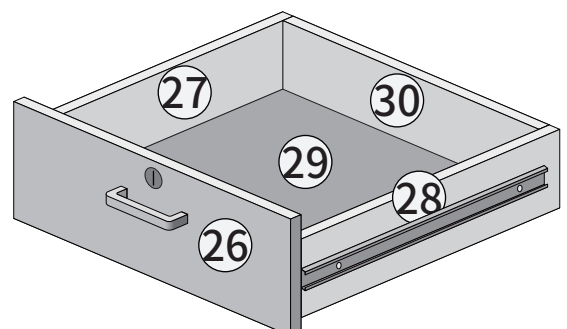
All the guide rails need to be installed using 0.55" long #J3 (self-tapping screws)



Install #G1 (Pull handle) onto #26 board and secure it with #G2.



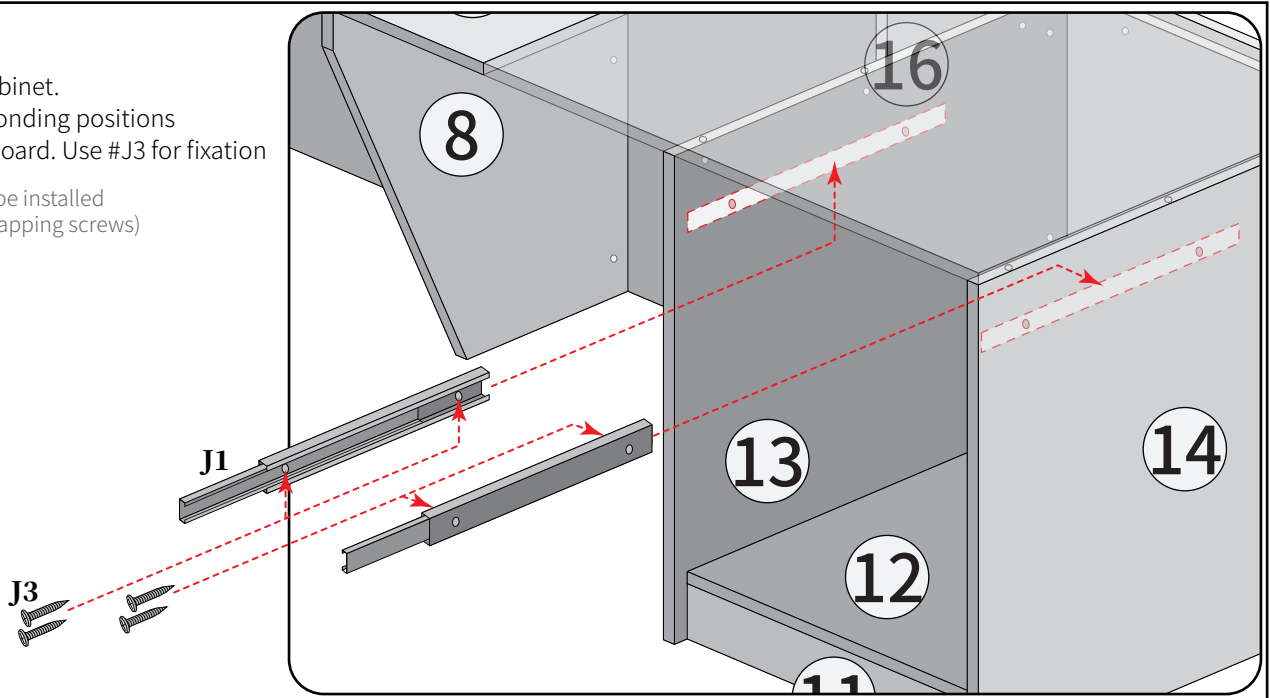
The drawer has been installed successfully.



**STEP 19**

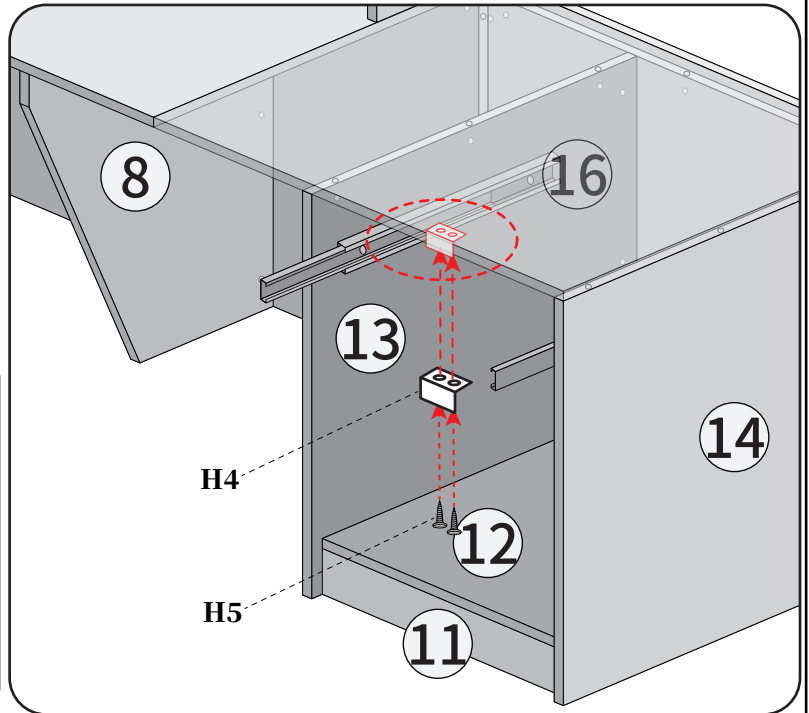
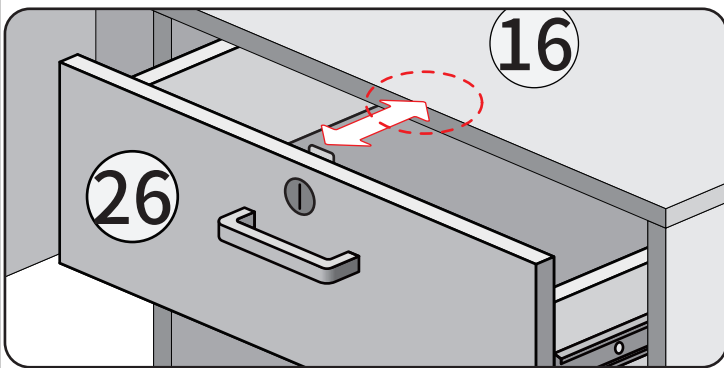
Install #J1 inside the cabinet.  
 Installed at the corresponding positions  
 on #13 board and #14 board. Use #J3 for fixation

All the guide rails need to be installed  
 using 0.55" long #J3 (self-tapping screws)

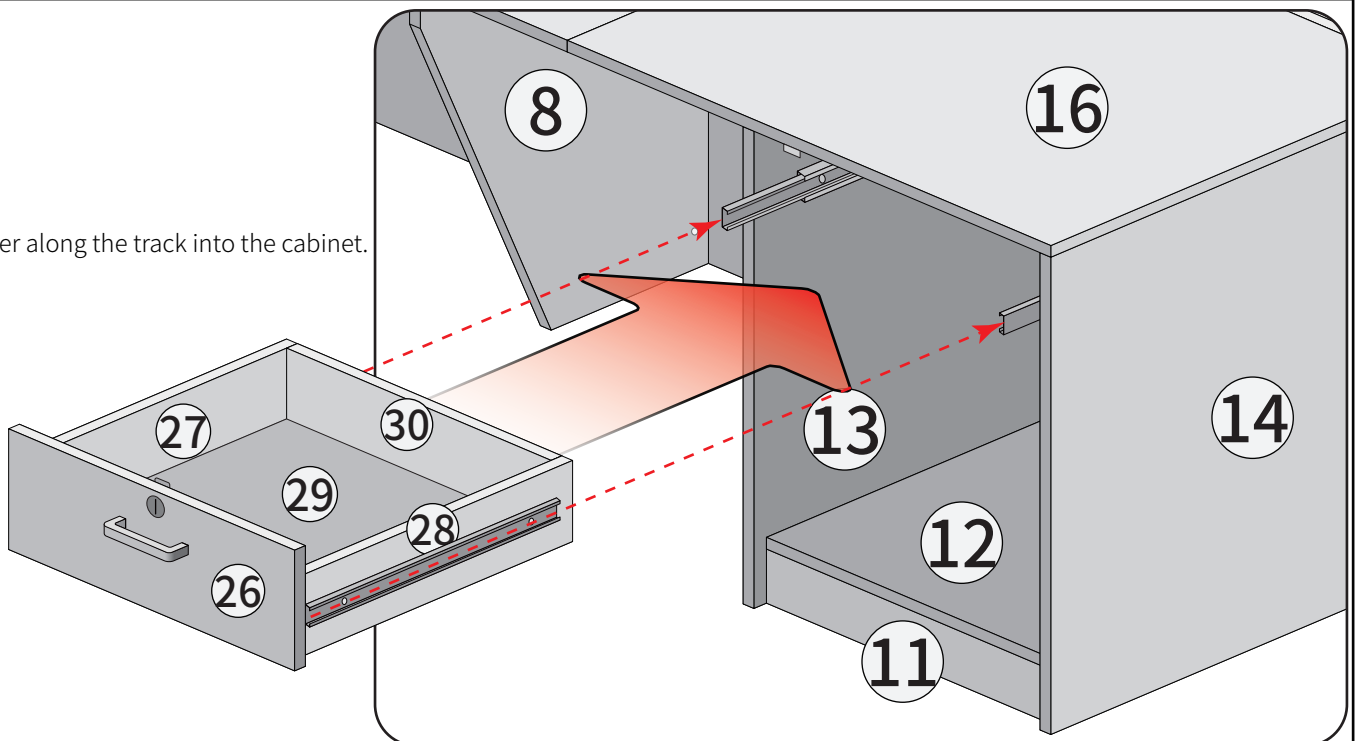
**STEP 20**

Place the drawer into the cabinet, check the corresponding  
 position of the drawer lock and the tabletop, and make a mark.

Install #H4 (the lock piece) beneath #16 board (the corresponding  
 position for the drawer lock), and secure it with #H5.

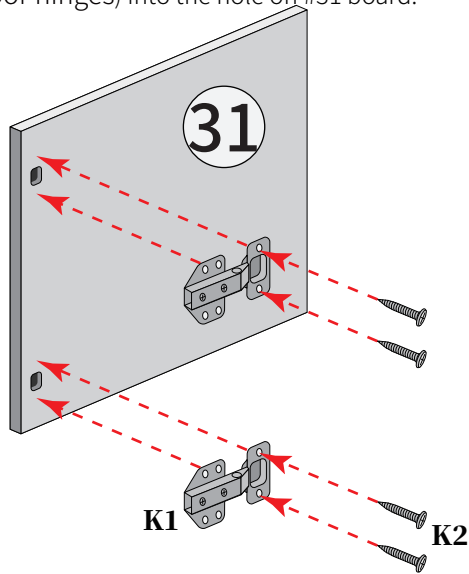
**STEP 21**

Install the drawer along the track into the cabinet.



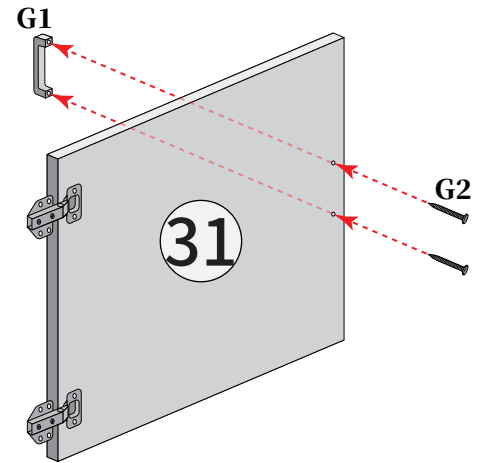
**STEP 22**

Install #K1(Cabinet door hinges) into the hole on #31 board.  
Use #K2 for fixation



**STEP 23**

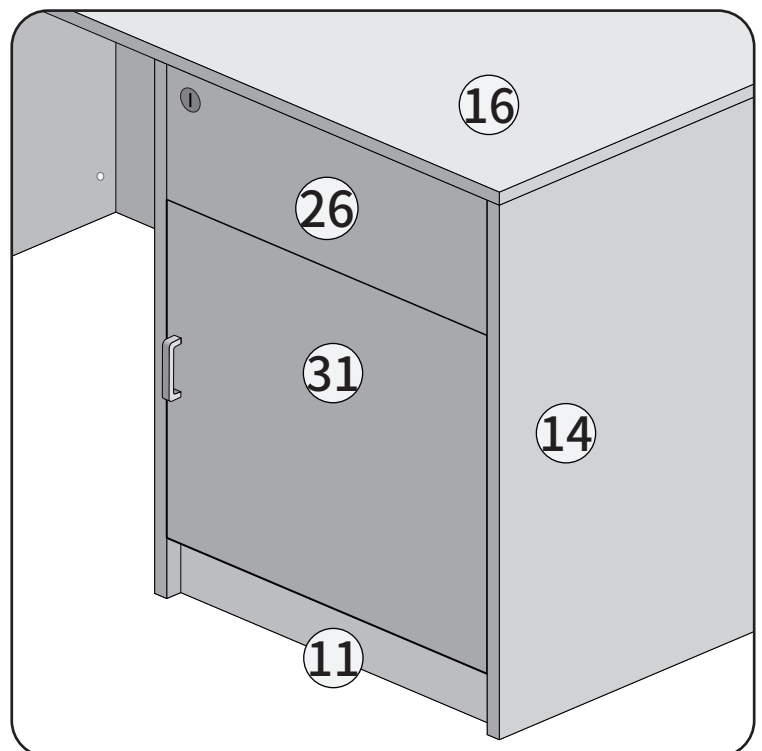
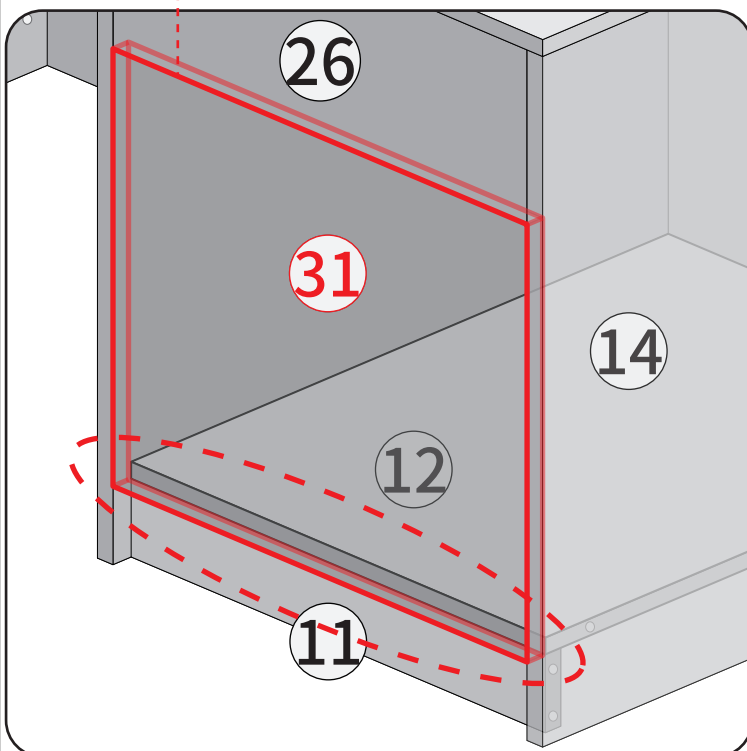
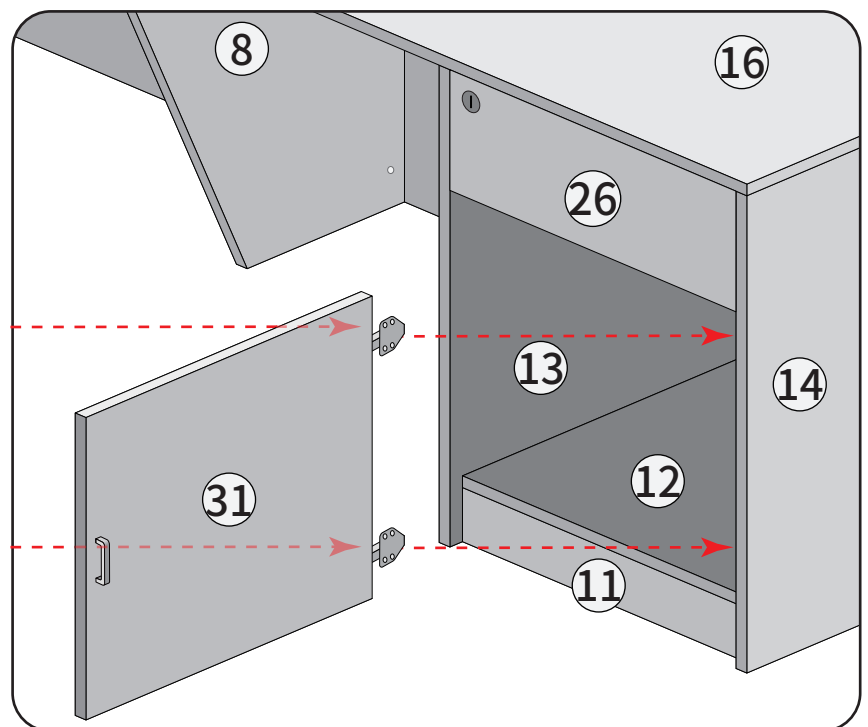
Install #G1(Pull handle) at the corresponding position on #31 board  
and fix it with #G2.



**STEP 24**

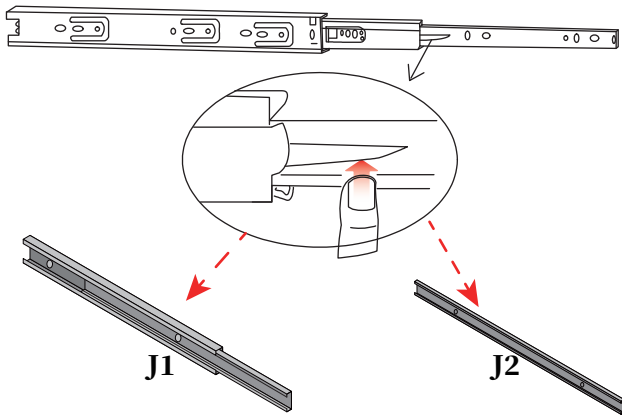
Install the #31 board through #K1 (the cabinet door hinge)  
onto the #14 board, and fix it with #K2.

#31 board(cabinet door) needs to cover #12 board



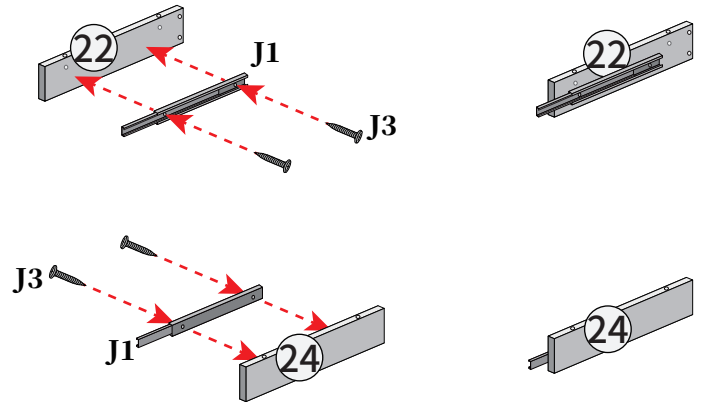
### STEP 25

Split the guide rail into #J1 and #J2



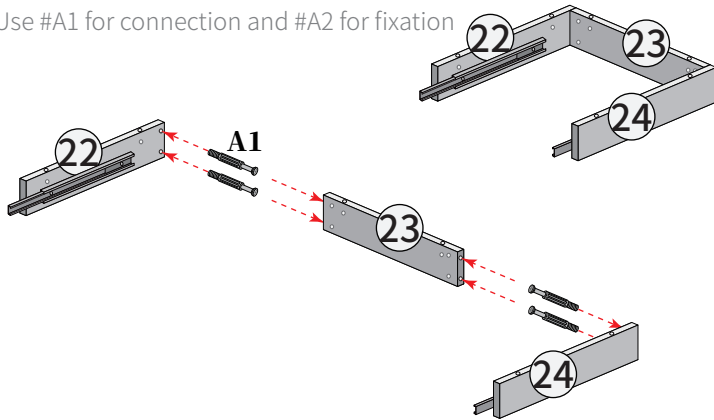
Install #J1 in the corresponding positions on #22 board and #24 board, and fix it with #J3.

All the guide rails need to be installed using 0.55" long #J3 (self-tapping screws)



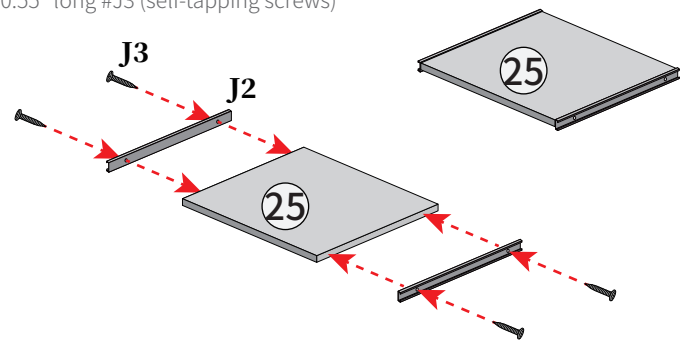
Assemble the #22 board, the #23 board and the #24 board together.

Use #A1 for connection and #A2 for fixation



Install #J2 on the corresponding positions on both sides of #25 board, and fix it with #J3.

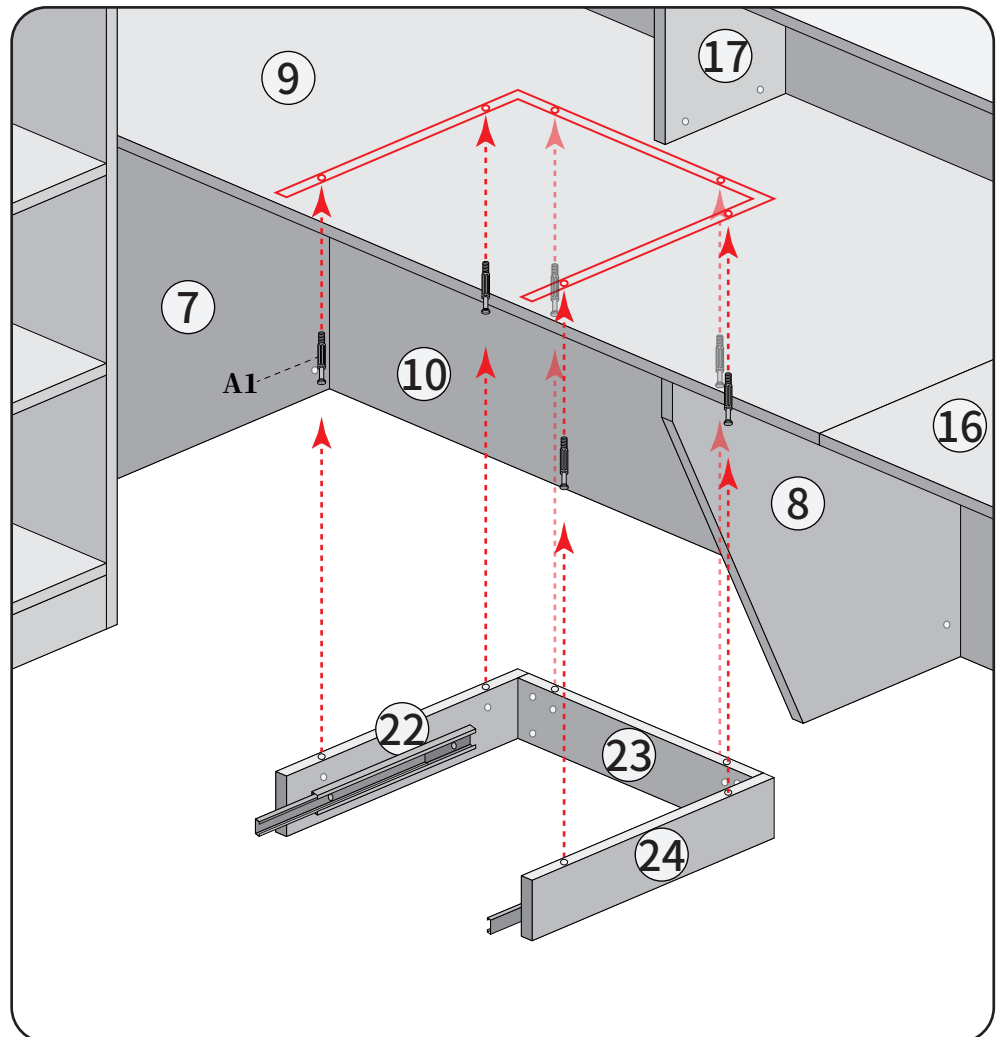
All the guide rails need to be installed using 0.55" long #J3 (self-tapping screws)



### STEP 26

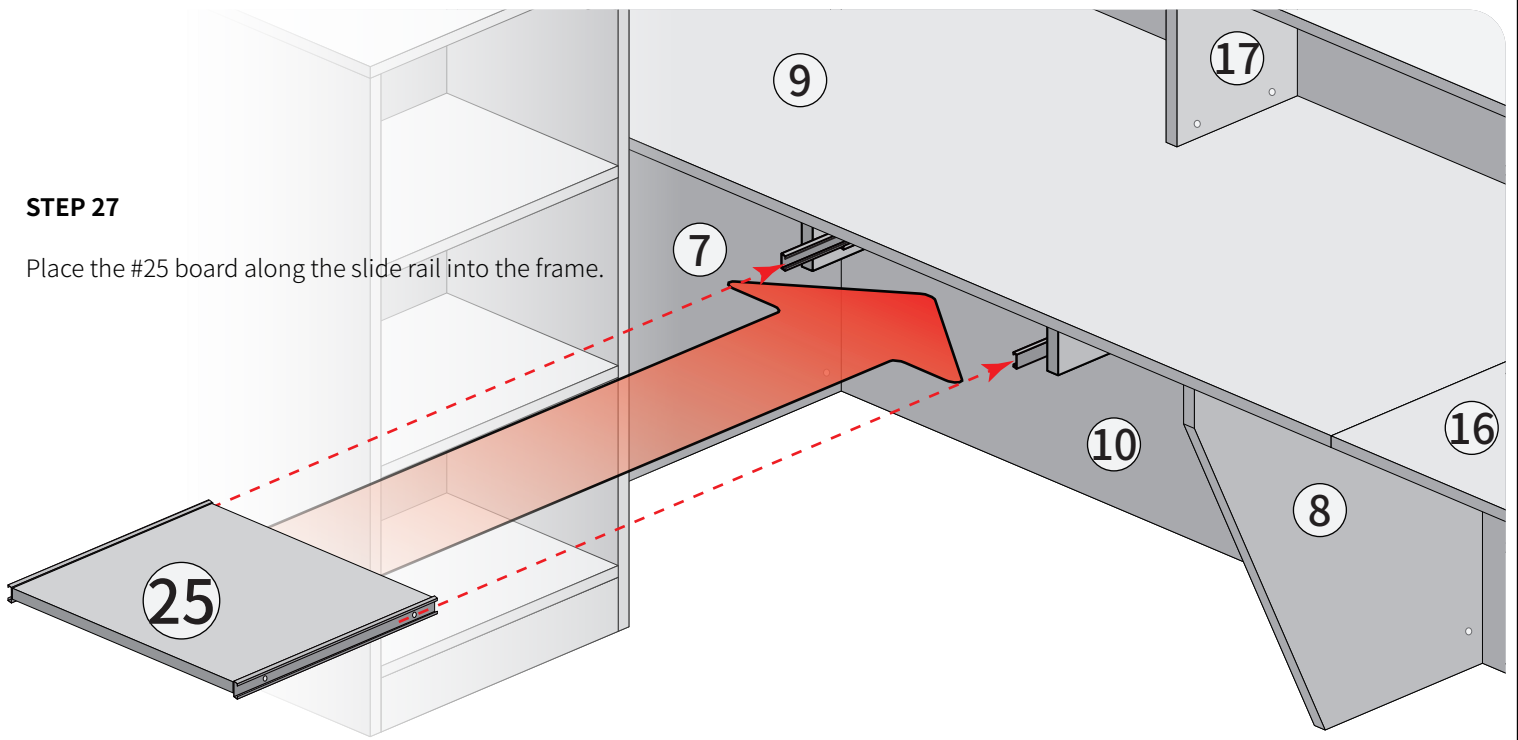
Install the assembled frame under the #9 board (table top)

Use #A1 for connection and #A2 for fixation



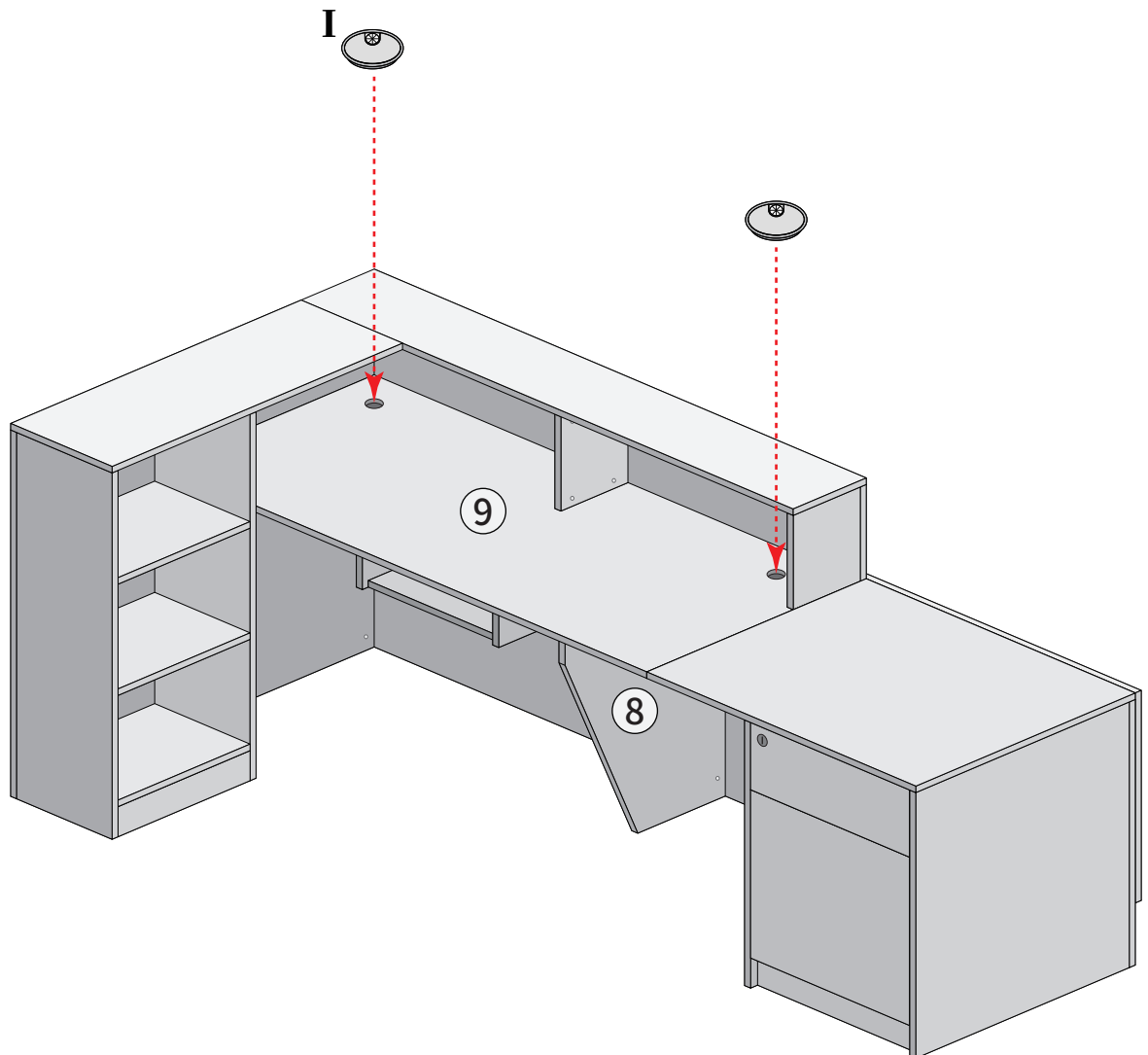
**STEP 27**

Place the #25 board along the slide rail into the frame.



**STEP 28**

Install #I (cable holes) into the corresponding holes



INSTALLATION COMPLETED

