












# Assembly Instructions

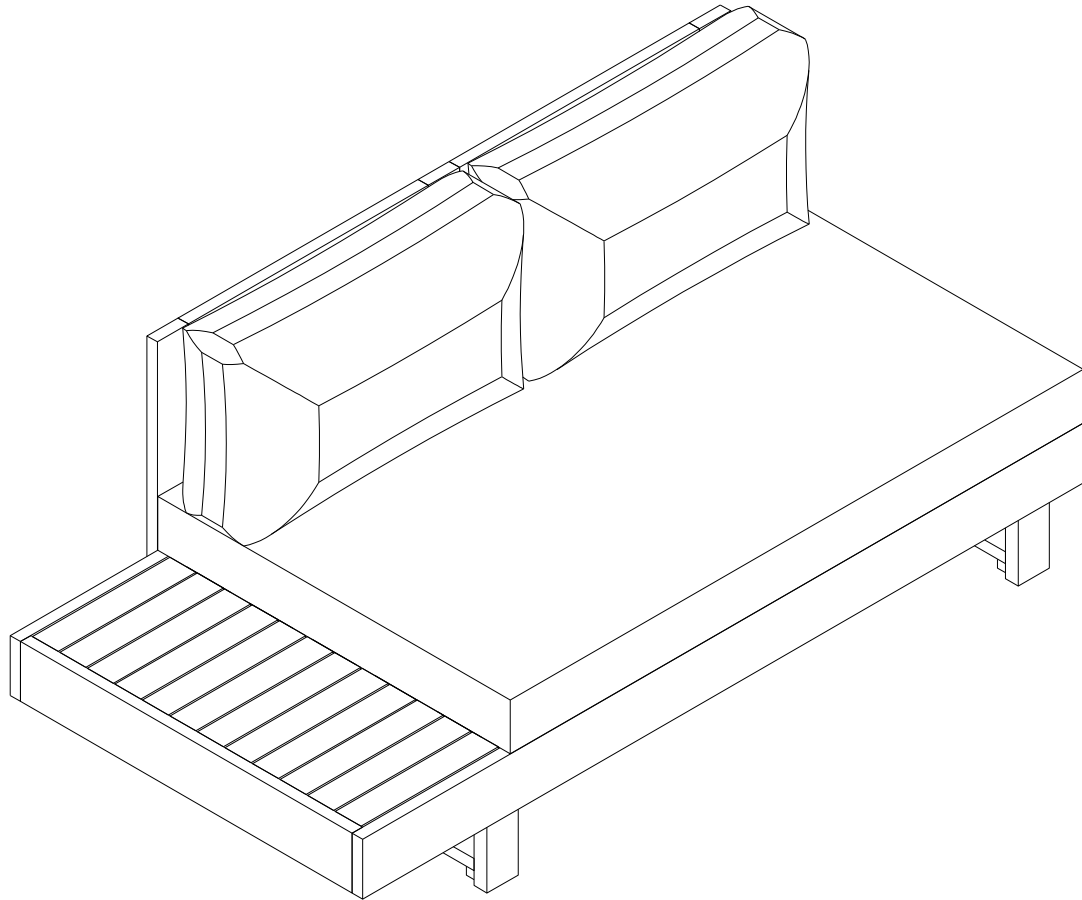
**Caution : You must read this before you proceed**

## Care & Maintenance

- ⊘  ● Not for commercial use. For residential use only.
- ⊘  ● Prolonged exposure to rain may cause rusting which can stain floors.
- ⊘  ● Do not put hot items directly on furniture surface.
- ⊘  ● Do not clean furniture with harsh cleansers or polish.
- ✓  ● To obtain the longest lifespan of your outdoor products, minimizing exposure to direct sunlight is recommended.
- ⊘  ● Children should not climb or jump on the furniture.
- ⊘  ● Do not write on furniture without a padded barrier to protect the surface.
- ✓  ● To obtain the longest lifespan of your outdoor products, avoid extended and lengthy exposure to rain, snow, and direct sunshine. Whenever possible cover the product and /or place under patio or awnings.
- ⊘  ● Stains may be removed with mild soap solution and damp cloth.
- ✓  ● Keep away from sources of ignition.
- ✓  ● Dust and pick-up spills using a clean, non-colored, lint-free cloth.

Please look into the Seat Panel for hardware packs

## LEFT BENCH

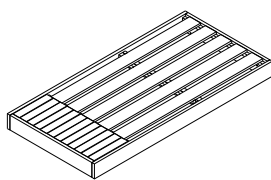
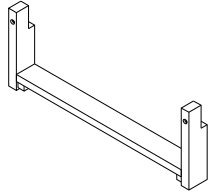
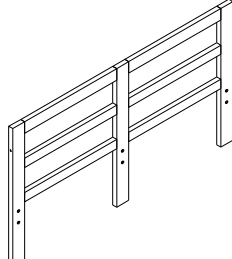
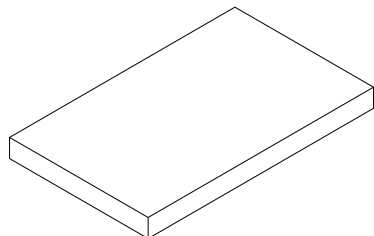
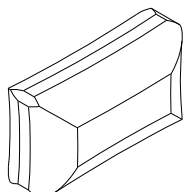


Caution: This Bench is NOT a TOY.

Keep your child/children at bay during the assembly process.

For turning the Bench and to prevent damage to the Bench , 02 persons may be needed to execute this action.

# Parts List

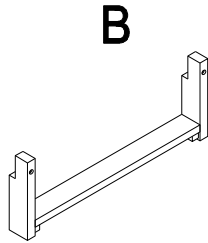
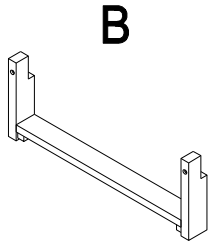
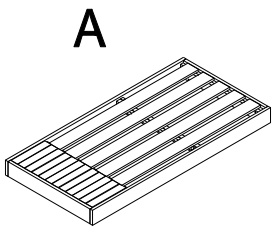
Label	Picture	Description	QTY
A	 A perspective drawing of a rectangular seat panel with a series of parallel slats across its surface.	Seat Panel	1
B	 A perspective drawing of a horizontal leg panel with a vertical flange at each end.	Leg Panel	2
C	 A perspective drawing of a backrest panel with three horizontal slats and a vertical support on the right side.	Backrest Panel	1
D	 A perspective drawing of a rectangular seat cushion.	Seat Cushion	1
E	 A perspective drawing of a rectangular back cushion with a slightly curved top edge.	Back Cushion	2

## Hardware List

Label	Picture	Description	QTY
①		Bolt (M6x35)	7
②		Bolt (M6x50)	5
③		Bolt (M6x80)	2
④		Allen Wrench (M4)	1

## Assembly Preparation

### Before Beginning Assembly

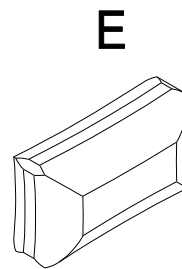
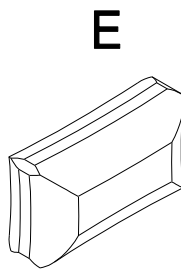
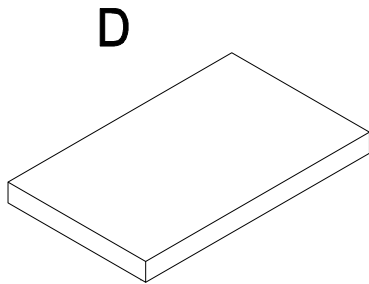
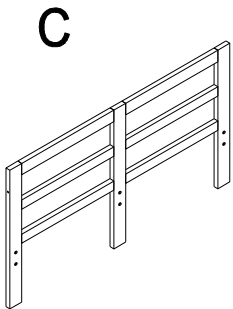


① x 7

② x 5

③ x 2

④ x 1





- Read instructions, cover to cover.



- Have 2 adults on hand for assembly.



- Do not assemble on flooring or carpet.



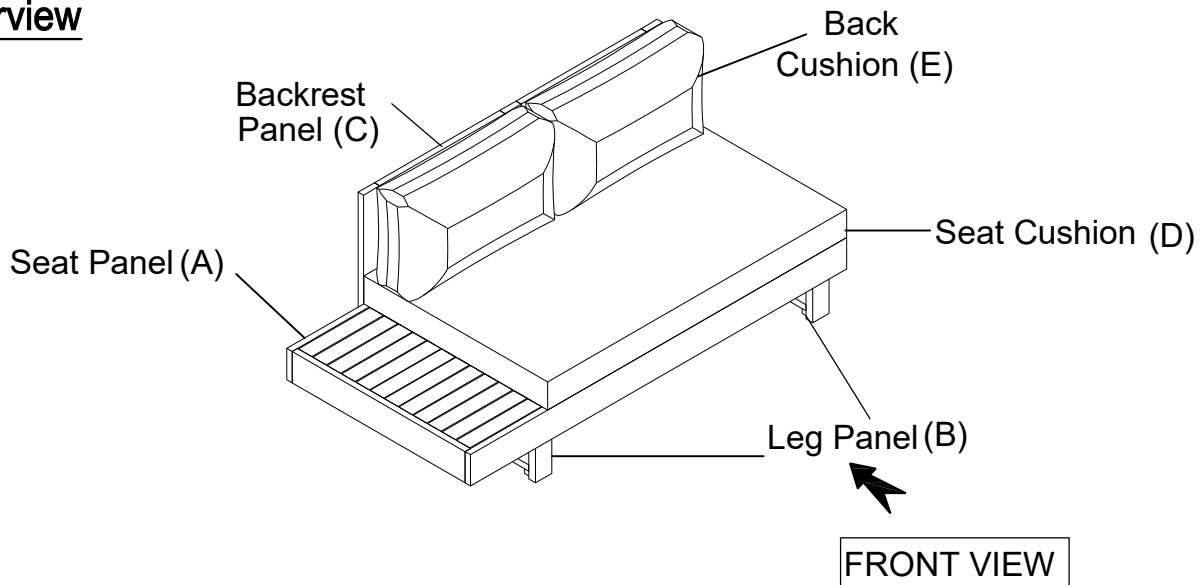
- Assemble on a clean non-marring surface (packing foam ).



- Save all packaging until finished.

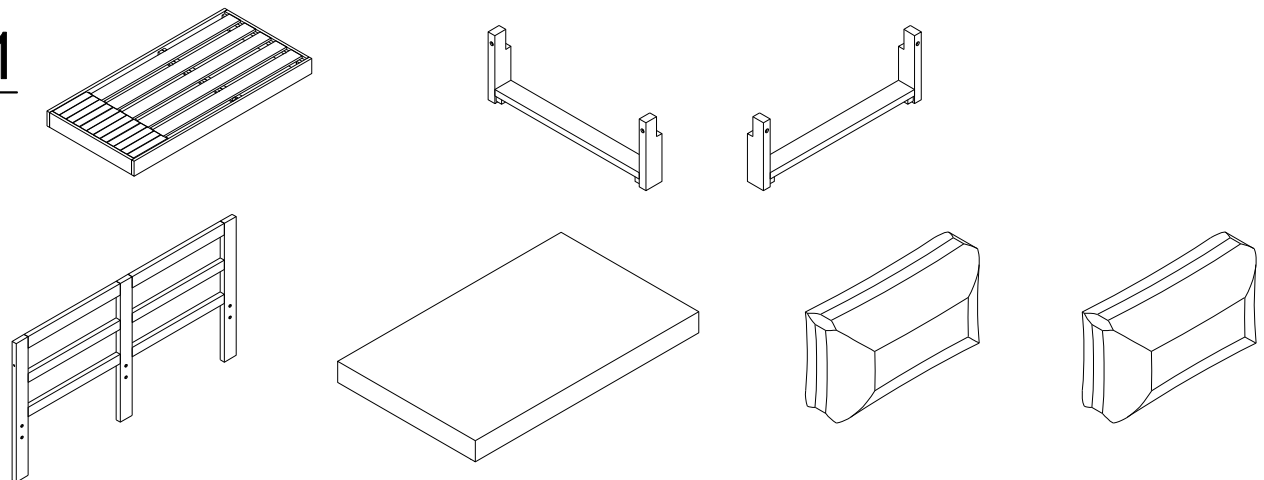
## Assembly Preparation

### Overview



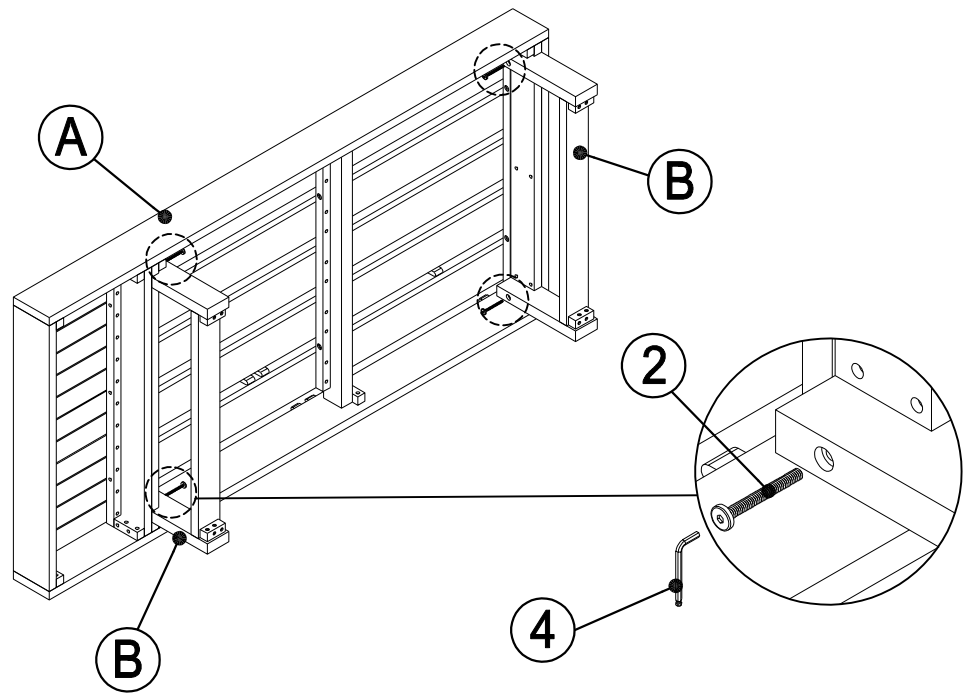
This Bench has multiple parts and may require up to some 30 minutes to assemble. To give you an overview of the Bench, the above picture is to help you put the various parts into perspective. Please read through the instructions here below to familiarise the parts and steps before assembly.

### Step 1



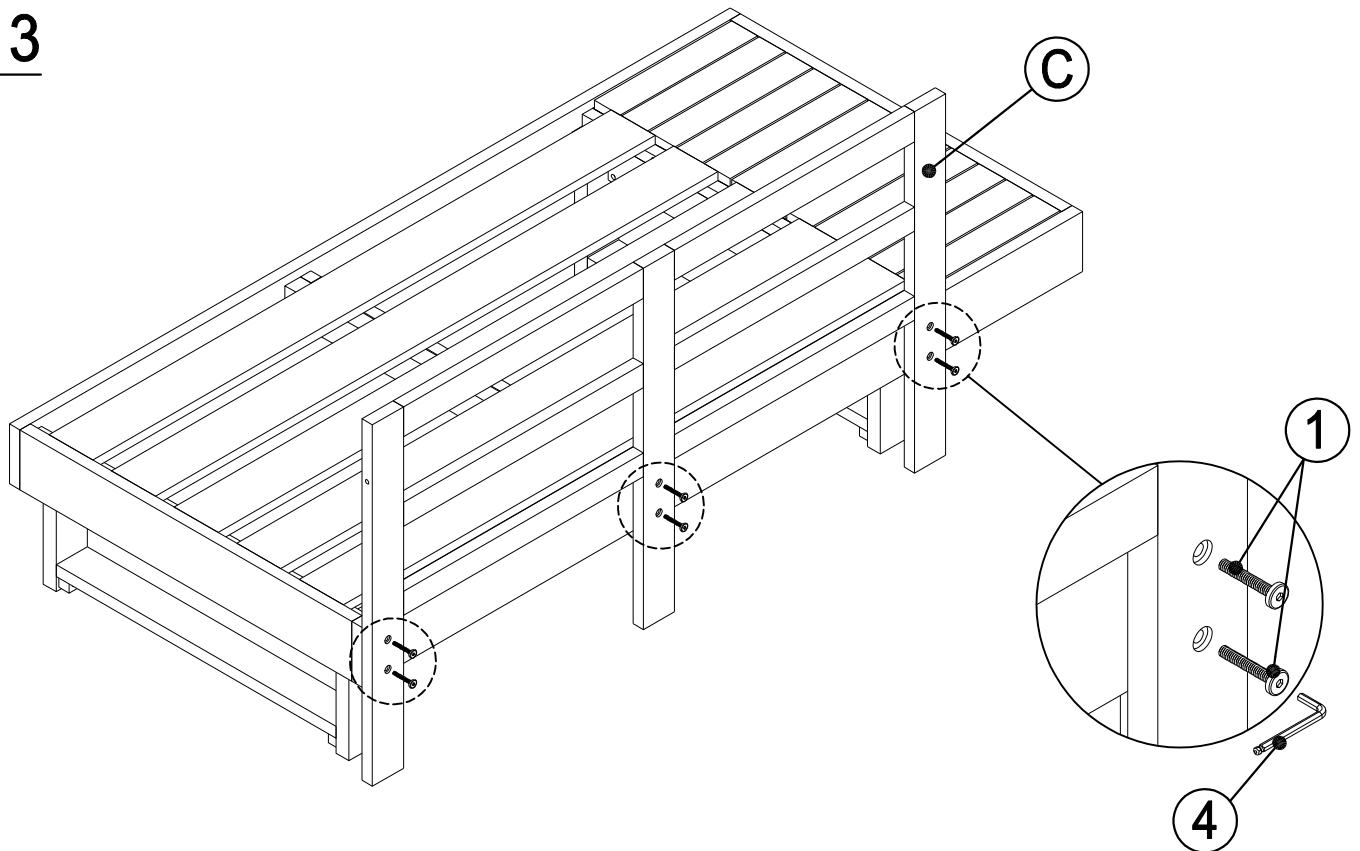
Unpack and place all parts on a clean, non-marring surface

## Step 2



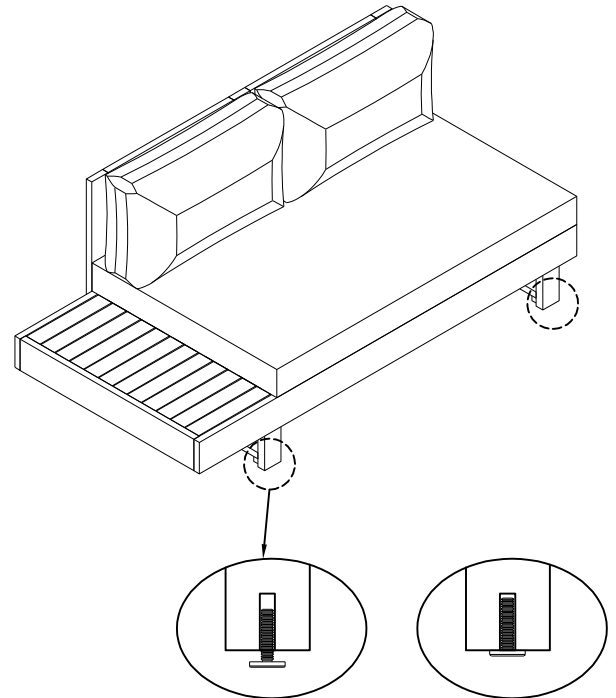
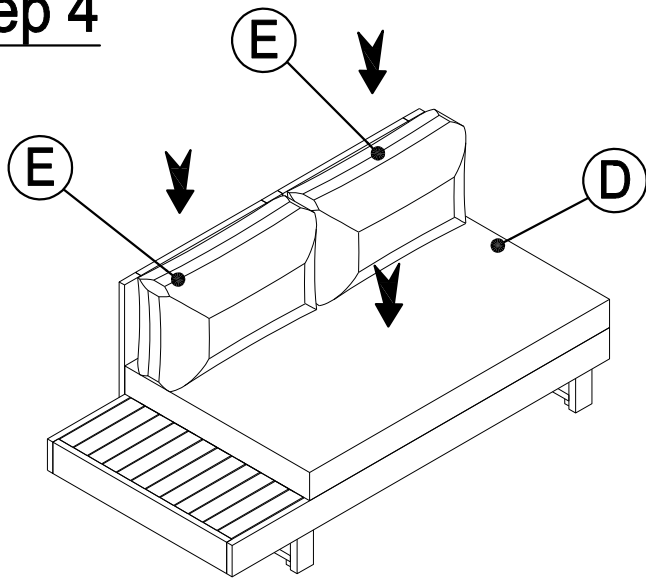
With assistance from your adult partner, place the seat Panel (A) onto a clean, non marring surface, attach the Leg Panel (B) to Seat Panel (A) by using Screws (②), with Allen Wrench (④) as shown above  
**DO NOT fully tighten the Bolts.**

## Step 3



With assistance from your adult partner, attach the Backrest Panel (C) to Seat Panel (A) by using Bolts (①), with Allen Wrench (④) as shown above  
**Do not fully tighten the Bolts.**

## Step 4



Twist and Adjust height for balance Adjust low for balance

Adjust Pre-installed Levellers height for balance

With assistance from your adult partners, turn the Bench back to normal flat ground.

Place the Seat Cushion (D) & Back Cushion (E) onto the Bench as shown above.

Place the Bench on a LEVEL surface.

Inspect it and make sure all parts are adequately connected.

Gently and gracefully, sit onto the Bench. This pressure will help to align all the parts at all joint areas.

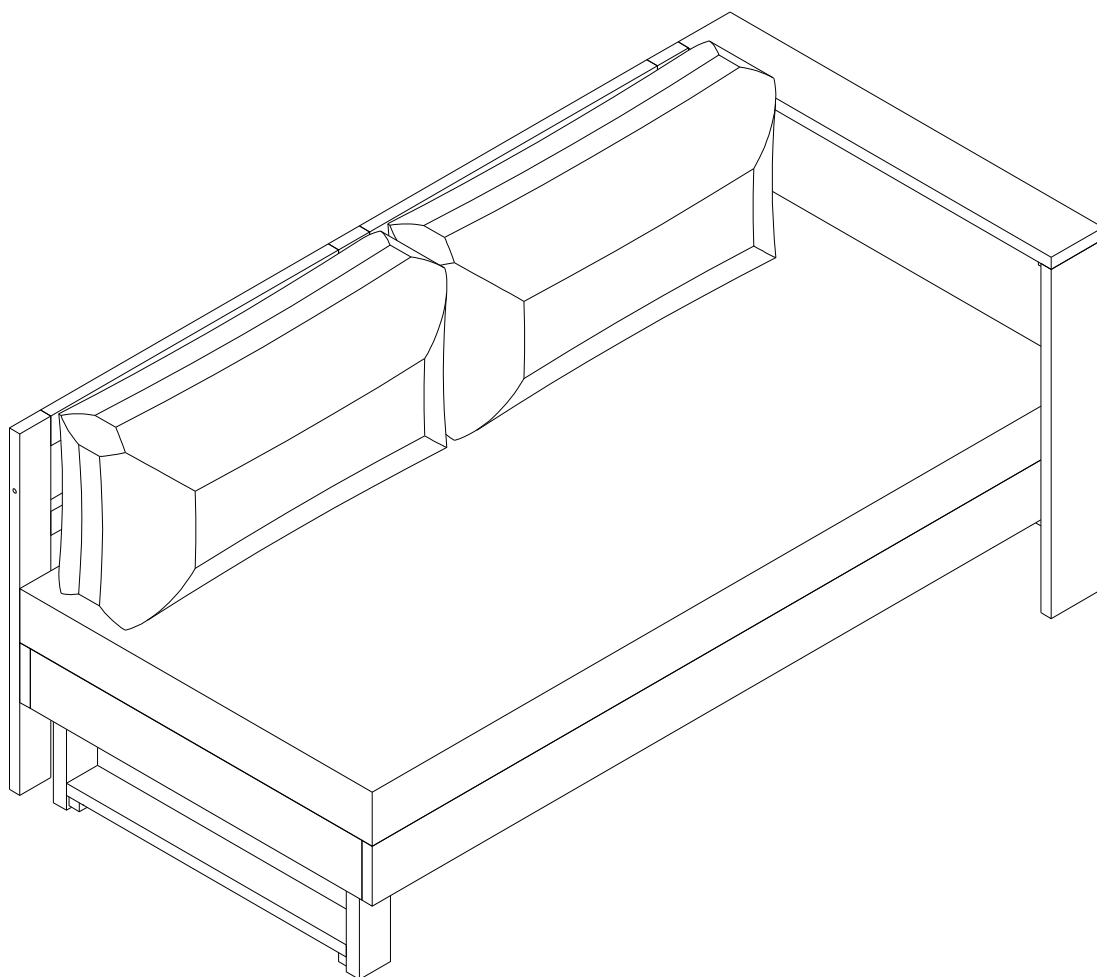
Check for wobbles on a LEVEL surface. If no wobbles are found, proceed to tighten the Bolts in a sequential manner, until evenly secured.

Adjust the Levelers until the Bench is level with the ground.

To adjust the Levelers, get assistance from an adult partner to lift/lean and hold the Bench while you are working.

Please look into the Seat Panel for hardware packs

## RIGHT BENCH

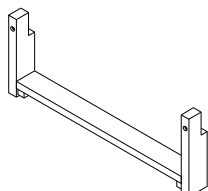
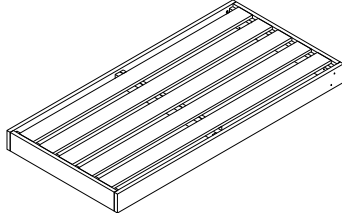
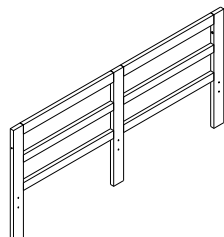
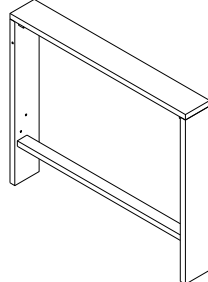
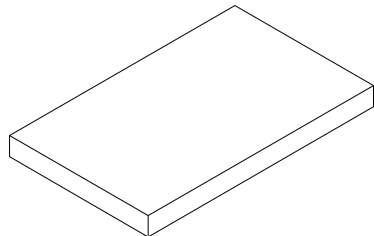
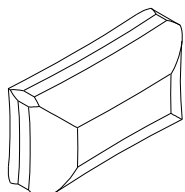


Caution: This Bench is NOT a TOY.

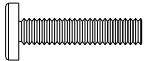



Keep your child/children at bay during the assembly process.

For turning the Bench and to prevent damage to the Bench, 02 persons may be needed to execute this action.

# Parts List

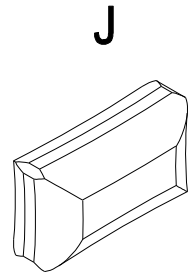
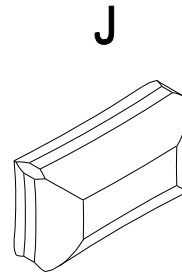
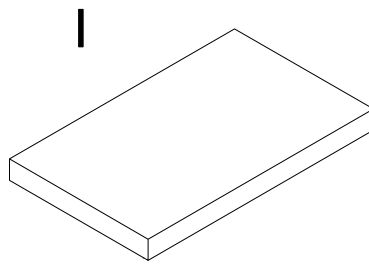
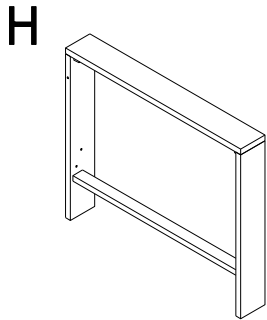
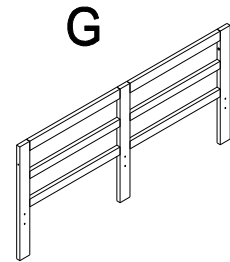
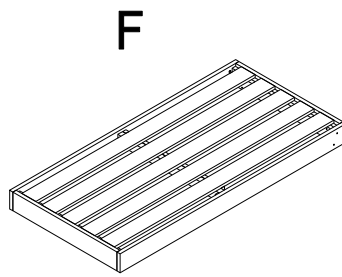
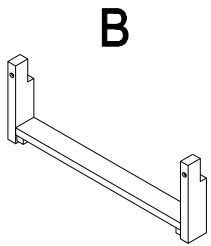
Label	Picture	Description	QTY
B	 A line drawing of a rectangular panel with a vertical lip on the left side and a vertical post on the right side.	Left Leg Panel	1
F	 A line drawing of a rectangular panel with several parallel slats across its width.	Seat Panel	1
G	 A line drawing of a rectangular panel with three horizontal slats and a vertical post on the right side.	Backrest Panel	1
H	 A line drawing of a rectangular panel with a vertical lip on the left side and a vertical post on the right side.	Right Leg Panel	1
I	 A line drawing of a rectangular cushion with a slightly raised edge.	Seat Cushion	1
J	 A line drawing of a rectangular cushion with a slightly raised edge and a curved back.	Back Cushion	2

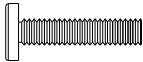



## Hardware List

Label	Picture	Description	QTY
①		Bolt (M6x35)	11
②		Bolt (M6x50)	3
③		Bolt (M6x80)	3
④		Allen Wrench (M4)	1

## Assembly Preparation

### Before Beginning Assembly



①		x11
②		x3
③		x3
④		x1



- Read instructions, cover to cover.



- Have 2 adults on hand for assembly.



- Do not assemble on flooring or carpet.



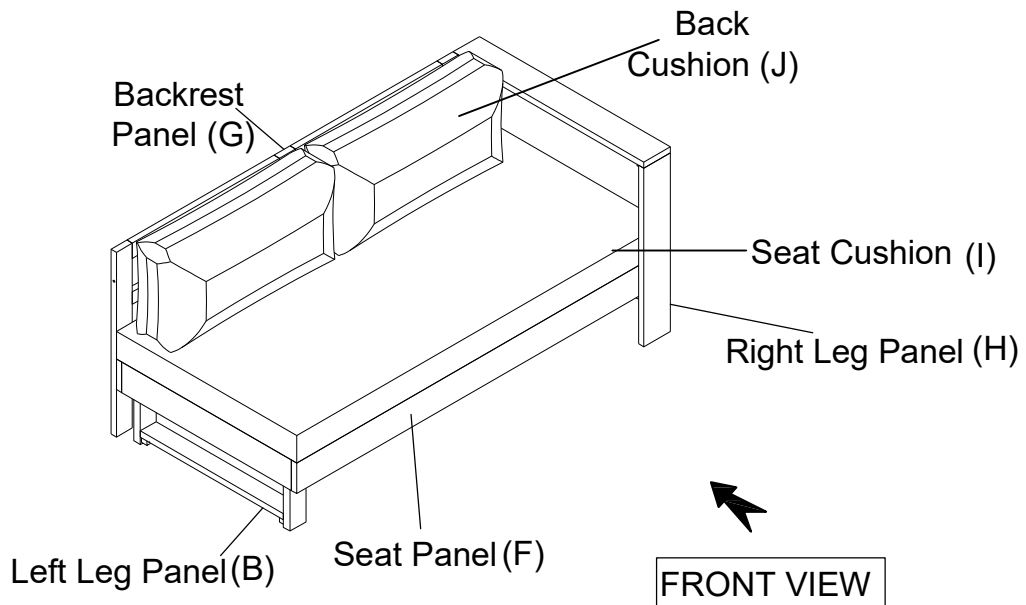
- Assemble on a clean non-marring surface (packing foam ).



- Save all packaging until finished.

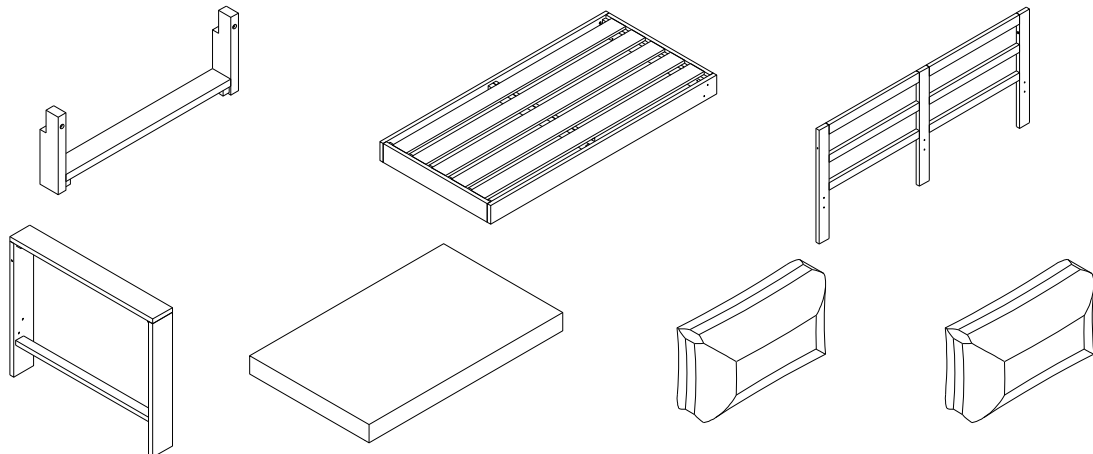
## Assembly Preparation

### Overview



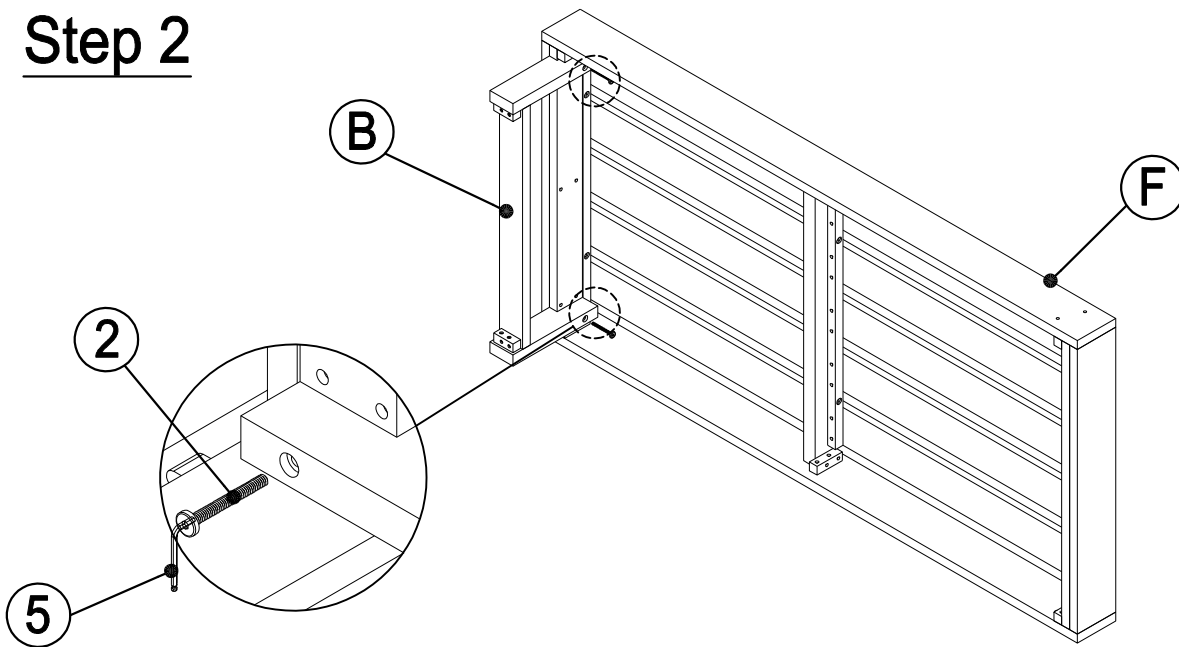
This Bench has multiple parts and may require up to some 30 minutes to assemble. To give you an overview of the Bench, the above picture is to help you put the various parts into perspective. Please read through the instructions here below to familiarise the parts and steps before assembly.

### Step 1



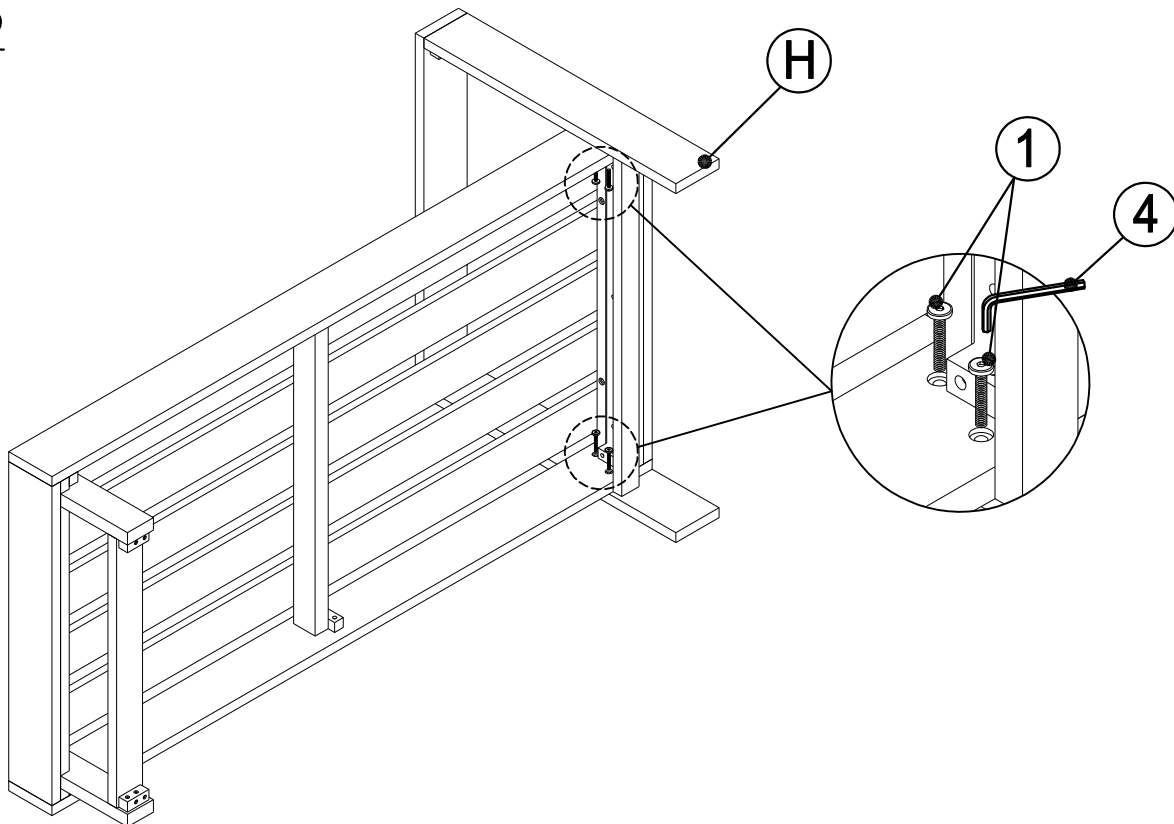
Unpack and place all parts on a clean, non-marring surface

## Step 2



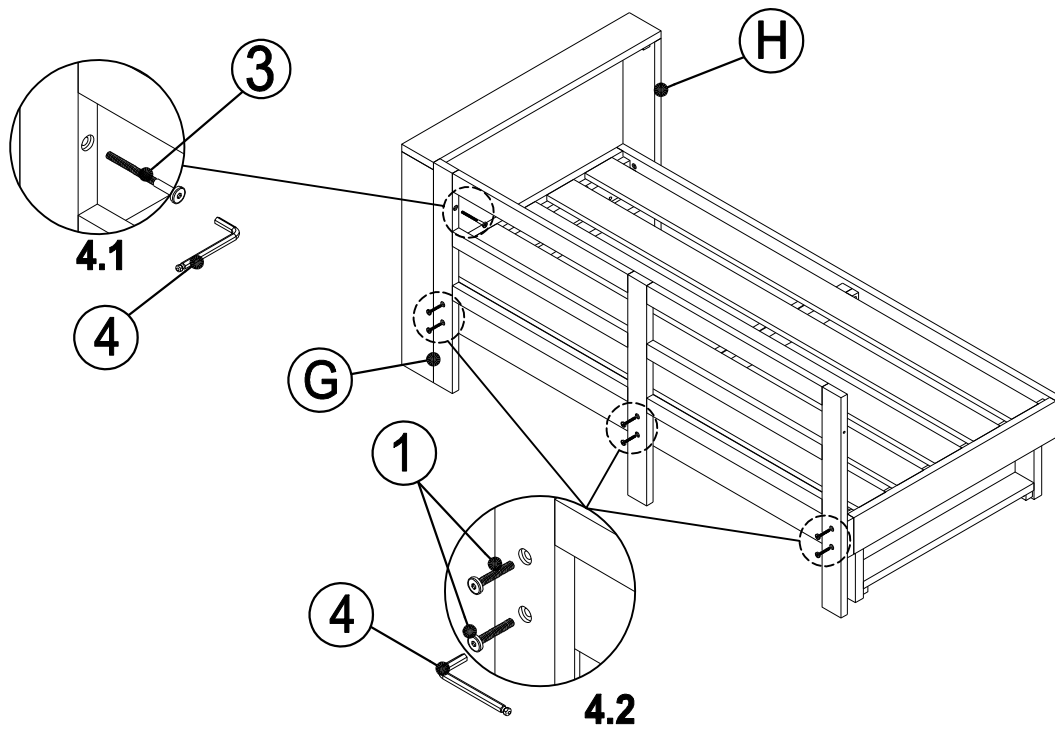
With assistance from your adult partner, place the seat Panel (F) onto a clean, non marring surface, attach the Left Leg Panel (B) to seat Panel (F) by using Bolts (②), with Allen Wrench (④) as shown above.  
**DO NOT fully tighten the Bolts.**

## Step 3



With assistance from your adult partner, attach the Right Leg Panel (H) to Seat Panel (F) by using Bolts (①), with Allen Wrench (④) as shown above.  
**Do not fully tighten the Bolts.**

## Step 4



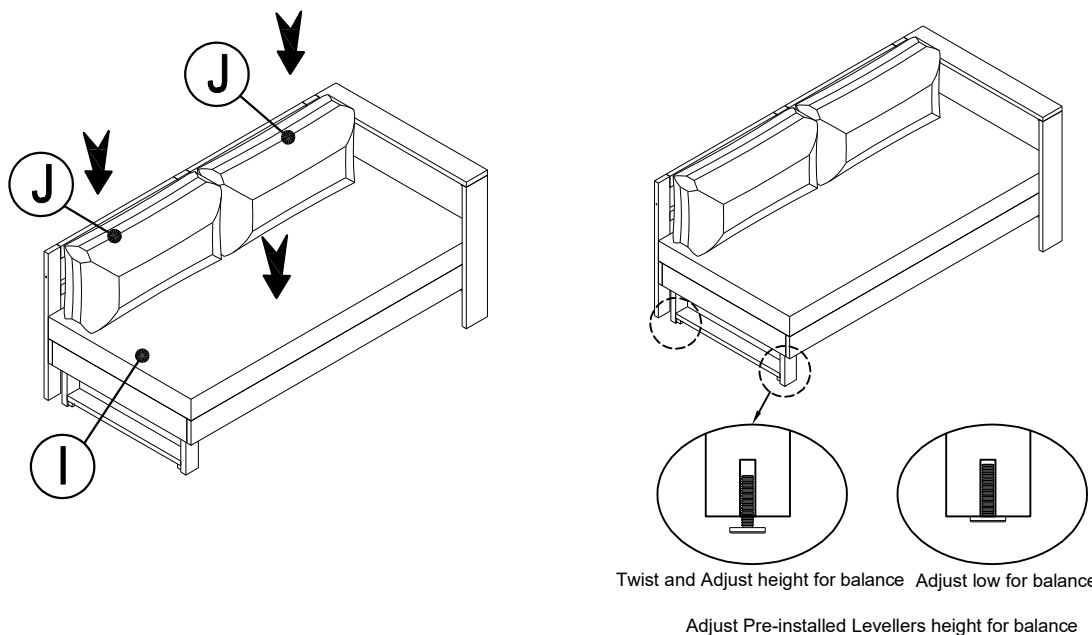
With assistance from your adult partner, attach the Backrest Panel (G) to Seat Panel (F) and Right Leg Panel (H) then:

4.1: secure Backrest Panel (G) with Right Leg Panel (H) by using Bolts (3), with Allen Wrench (4) as shown above.

4.2: secure Backrest Panel (G) with Seat Panel (F) by using Bolts (1), with Allen Wrench (4) as shown above

**Do not fully tighten the Bolts.**

## Step 5



With assistance from your adult partners, turn the Bench back to normal flat ground.

Place the Seat Cushion (I) & Back Cushion (J) onto the Bench as shown above.

Place the Bench on a LEVEL surface.

Inspect it and make sure all parts are adequately connected.

Gently and gracefully, sit onto the Bench. This pressure will help to align all the parts at all joint areas.

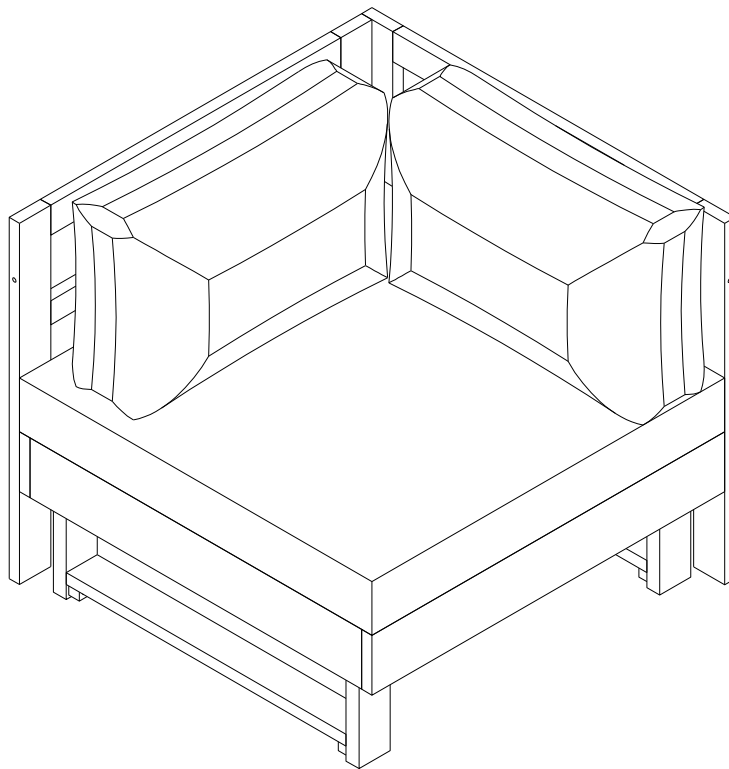
Check for wobbles on a LEVEL surface. If no wobbles are found, proceed to tighten the Bolts in a sequential manner, until evenly secured.

Adjust the Levelers until the Bench is level with the ground.

To adjust the Levelers, get assistance from an adult partner to lift/lean and hold the Bench while you are working.

Please look into the Seat Panel for hardware packs

## Corner Armchair

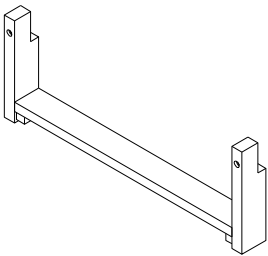
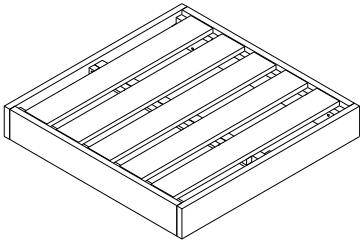
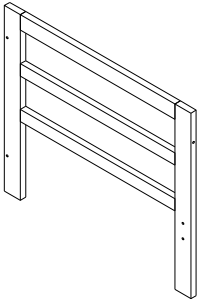
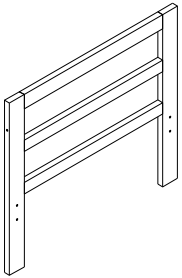
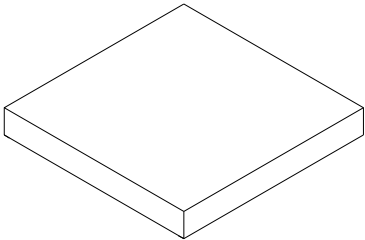
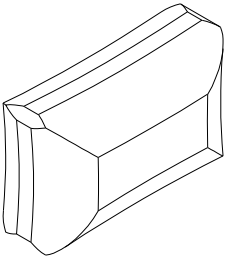


Caution: This Chair is NOT a TOY.

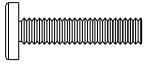


Keep your child/children at bay during the assembly process.

Whenever lifting or moving the Chair and to prevent damage to the chair, two adult may be needed to execute these actions.

# Parts List

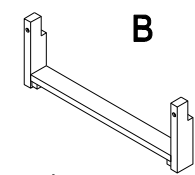
Label	Picture	Description	QTY
B		Leg Panel	2
K		Seat Panel	1
L		Right Leg Panel	1
M		Left Leg Panel	1
N		Seat Cushion	1
O		Back Cushion	2

# Parts List

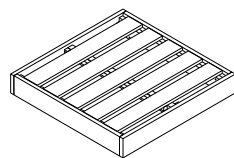
Label	Picture	Description	QTY
①		Bolt (M6x35)	9
②		Bolt (M6x50)	5
④		Allen Wrench (M4)	1

## Assembly Preparation

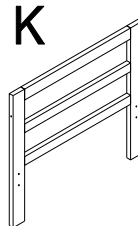
### Before Beginning Assembly



B



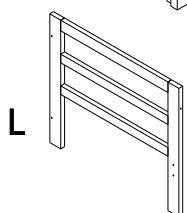
J



K

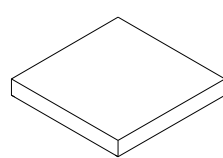
①  x 9

②  x 5

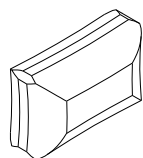


L

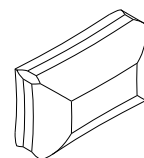
M



N



N



④  x 1



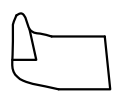
- Read instructions, cover to cover.



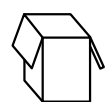
- Have 2 adults on hand for assembly.



- Do not assemble on flooring or carpet.



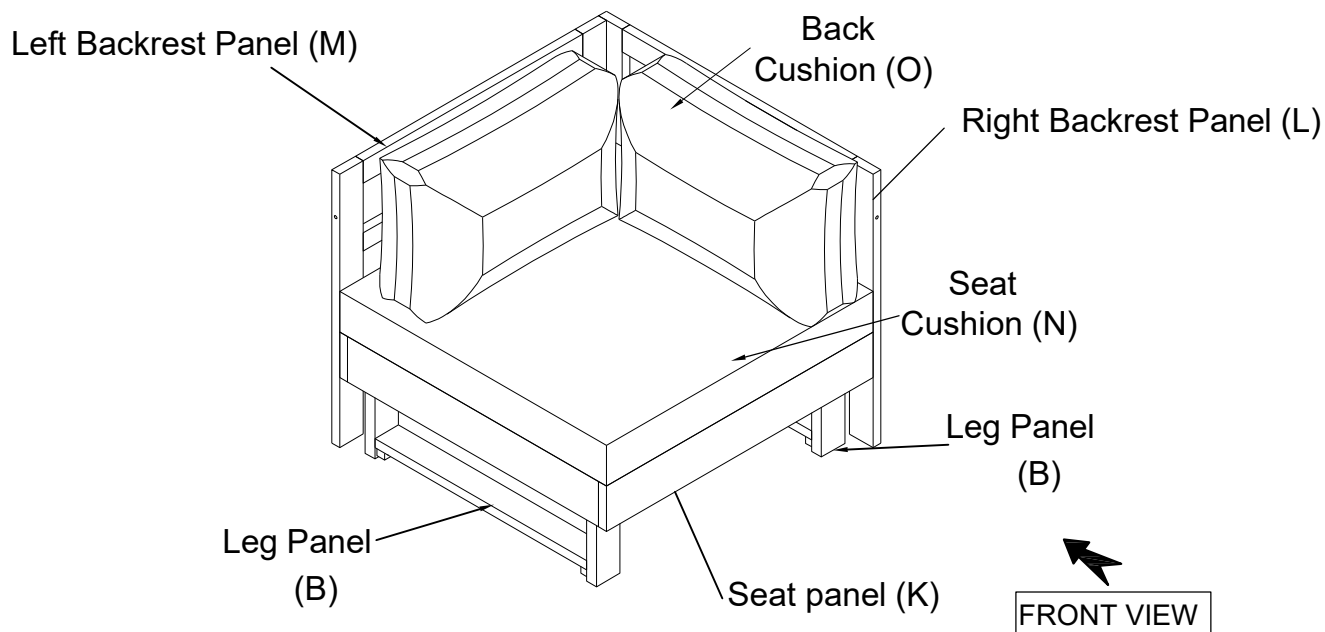
- Assemble on a clean non-marring surface (packing foam).



- Save all packaging until finished.

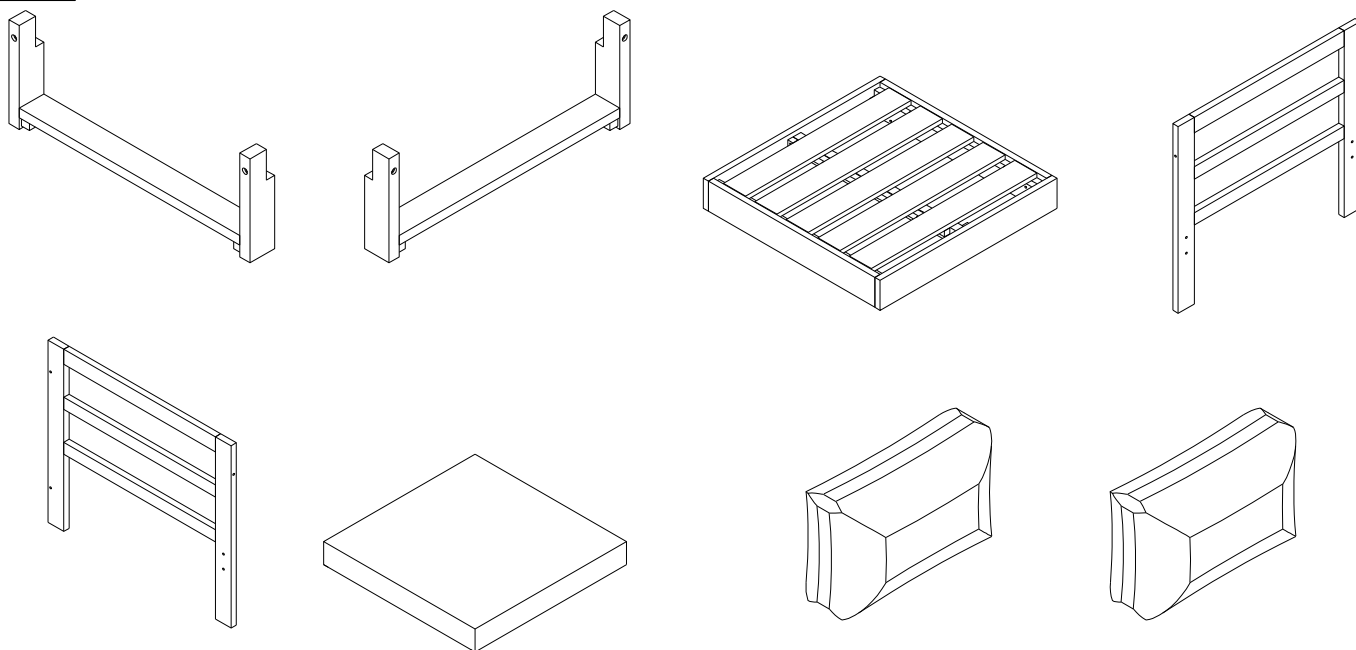
# Assembly Preparation

## Overview



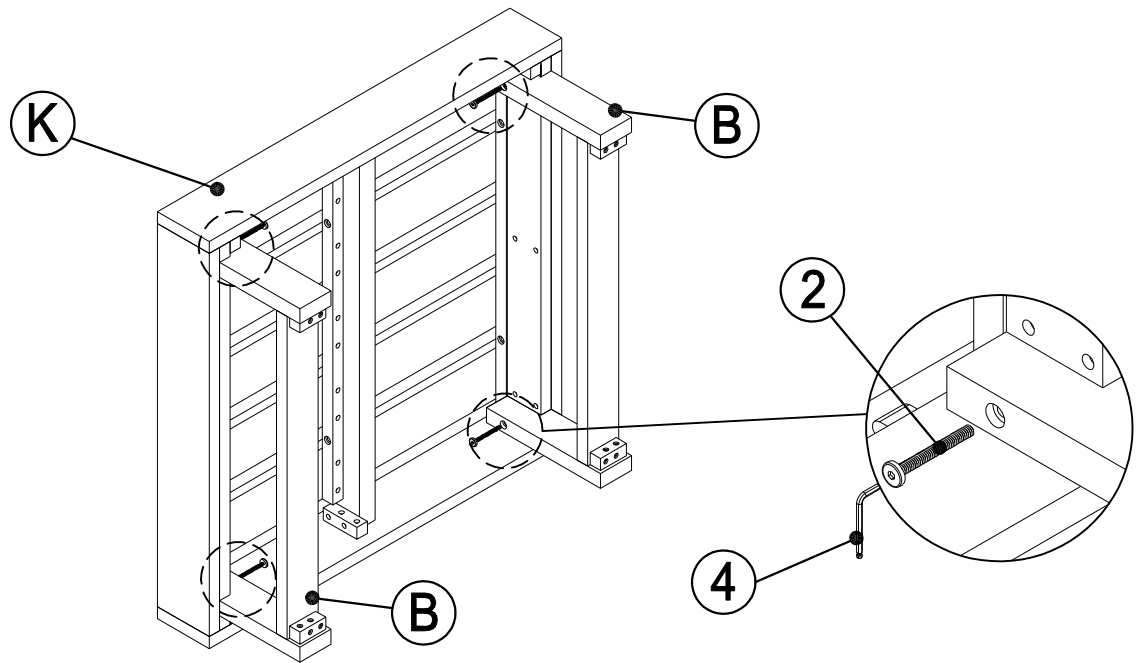
This Chair has multiple parts and may require up to some 30 minutes to assemble. To give you an overview of the Chair, the above picture is to help you put the various parts into perspective. Please read through the instructions here below to familiarise the parts and steps before assembly.

## Step 1



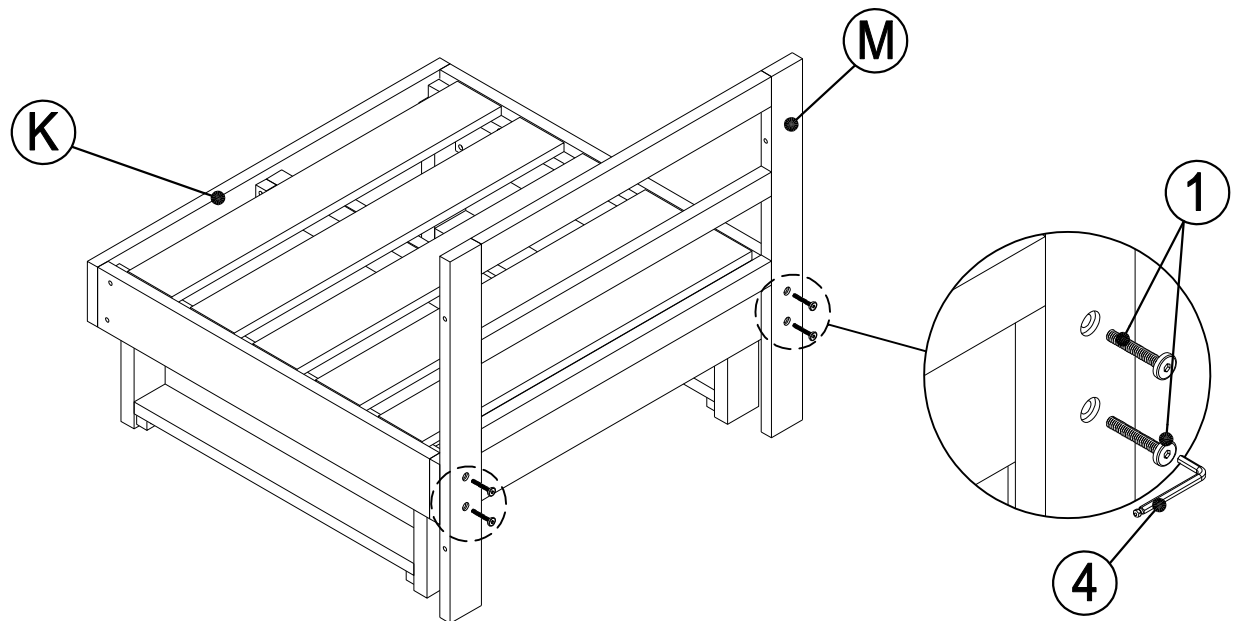
Unpack and place all parts on a clean, non-marring surface

## Step 2



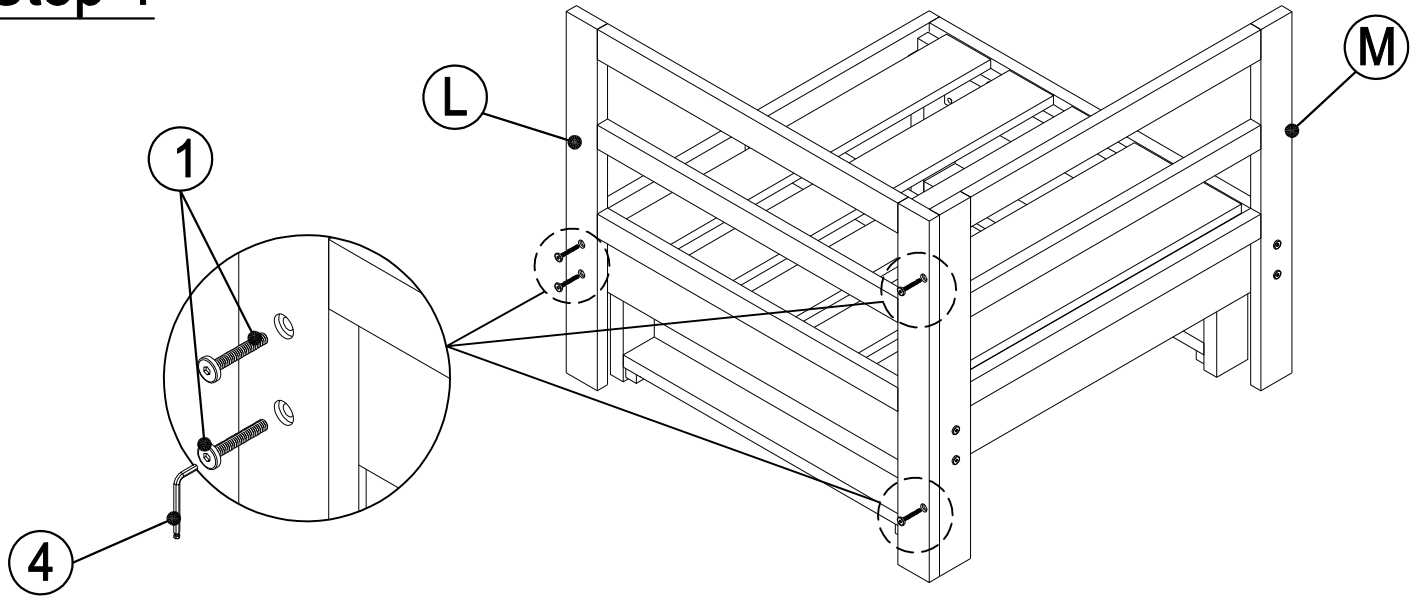
With assistance from your adult partner, place the seat Panel (K) onto a clean, non marring surface, attach the Leg Panel (B) to Seat Panel (K) by using Bolts (②), with Allen Wrench (④) as shown above  
**DO NOT fully tighten the Bolts.**

## Step 3



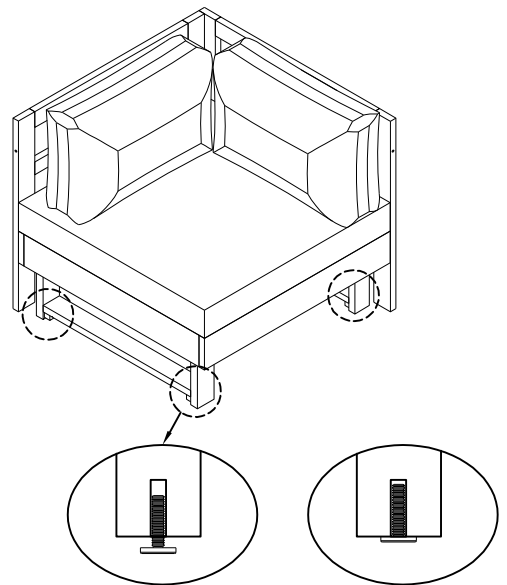
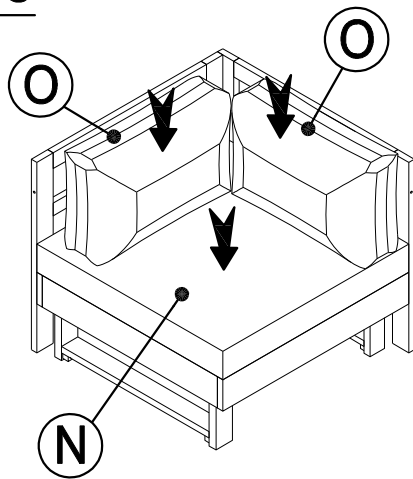
With assistance from your adult partner, attach the Left Leg Panel (M) to Seat Panel (K) by using Bolts (①), with Allen Wrench (④) as shown above  
**Do not fully tighten the Bolts.**

## Step 4



With assistance from your adult partner, attach the Right Leg Panel(L) to Seat Panel (K) by using Bolts (1), with Allen Wrench (4) as shown above  
**Do not fully tighten the Bolts.**

## Step 5



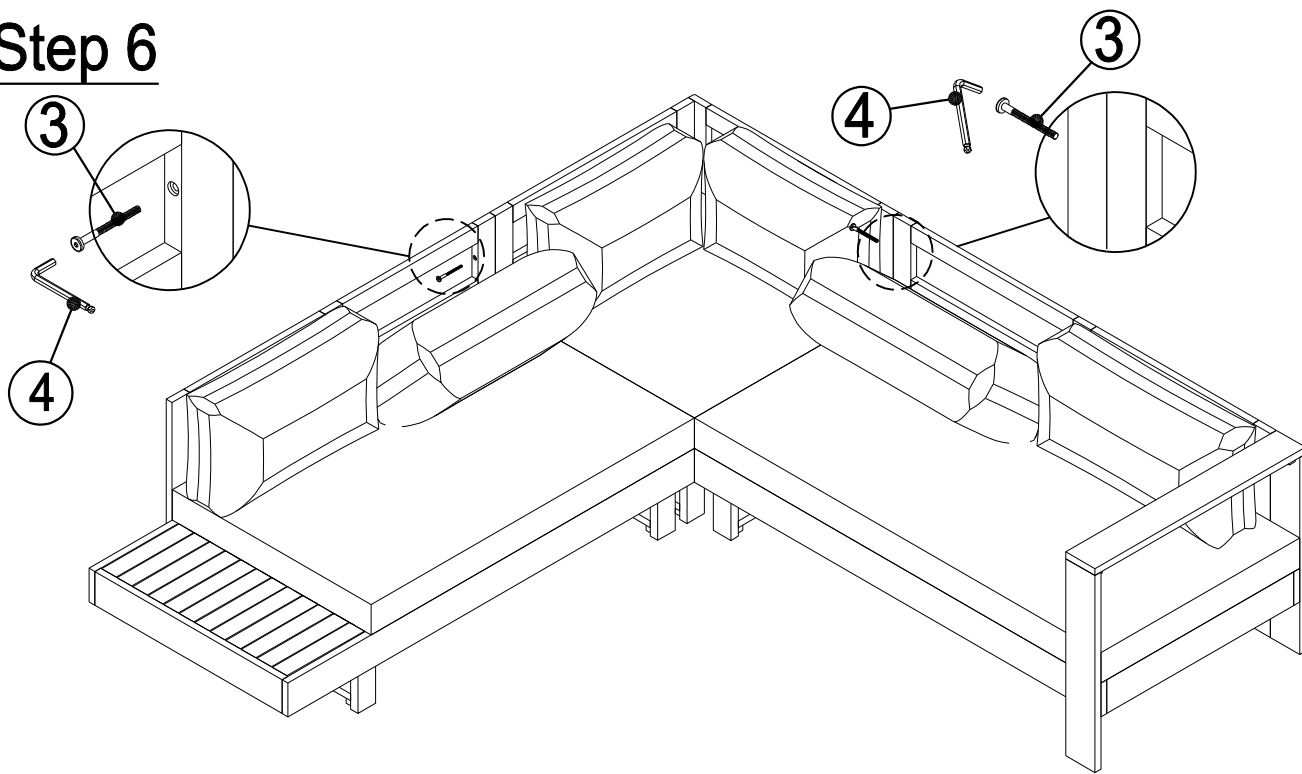
Twist and Adjust height for balance Adjust low for balance

Adjust Pre-installed Levellers height for balance

Next, install the Seat Cushion (N) & Back Cushion (O) into the Chair.  
Your Chair is ready for use.

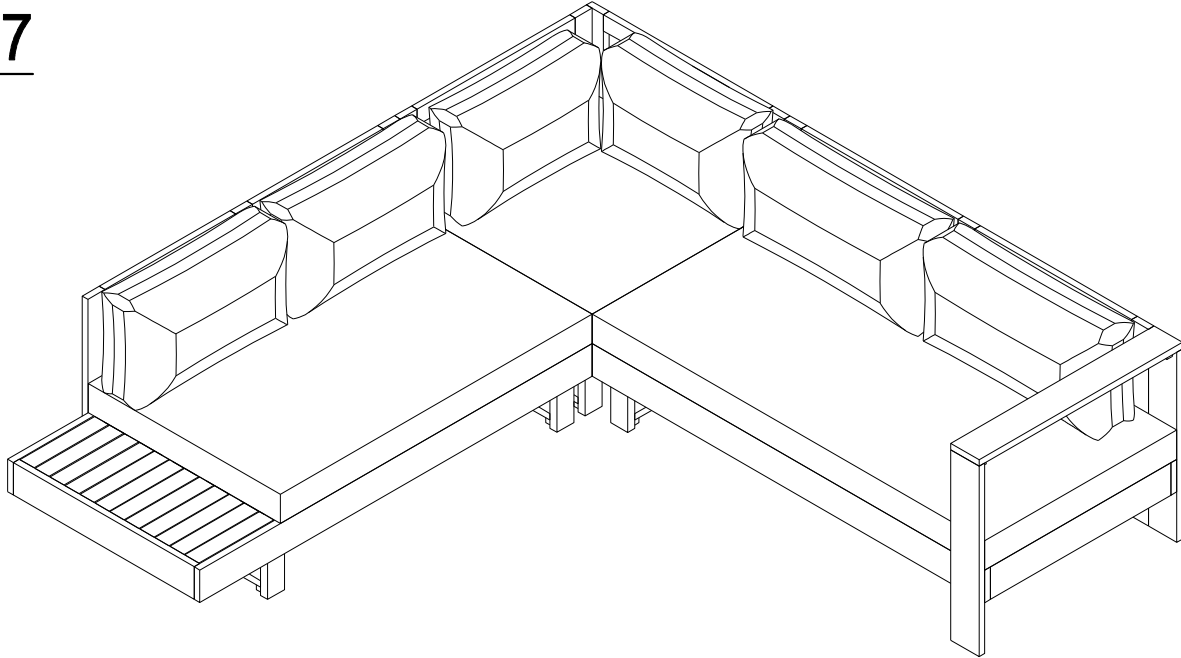
**This chair can only be used on flat, level surface.**

## Step 6



With assistance from your adult partner, attach LEFT BENCH & RIGHT BENCH with Conner Arm chair by using Bolts (③), with Allen Wrench (④) as shown above  
**Do not fully tighten the Bolts.**

## Step 7

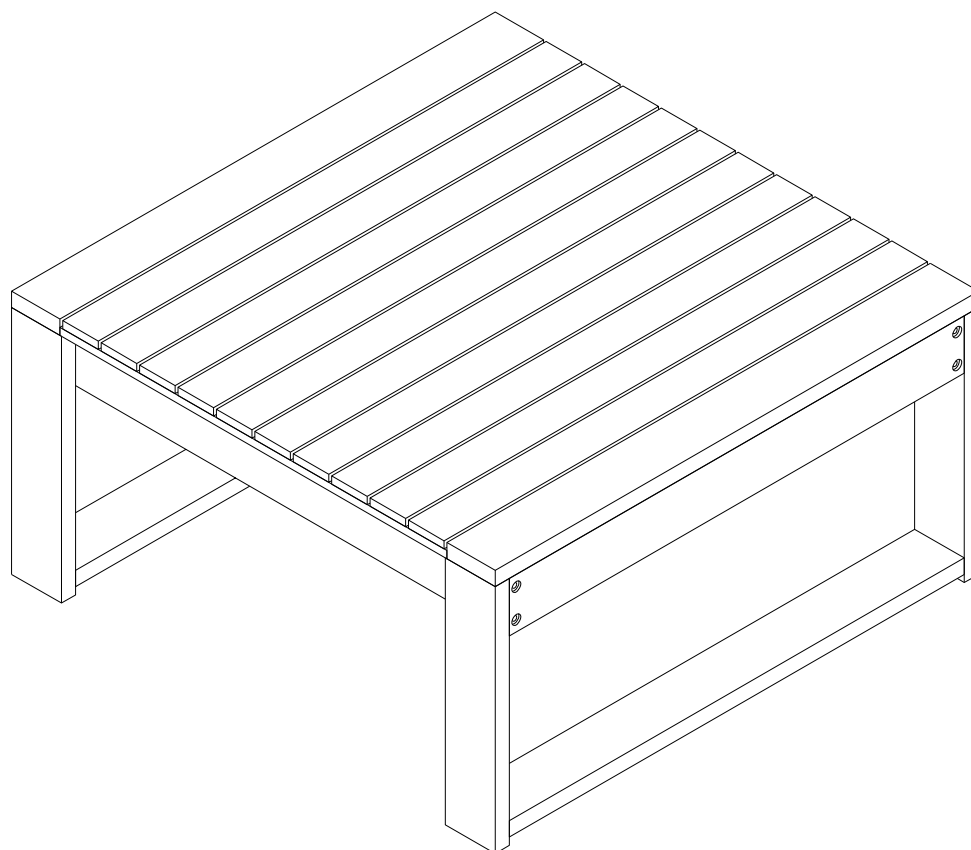


The Finish.

**This Bench and Conner Arm Chair can only be used on flat, level surface.**

Please look into the Seat Panel for hardware packs

## COFFEE TABLE

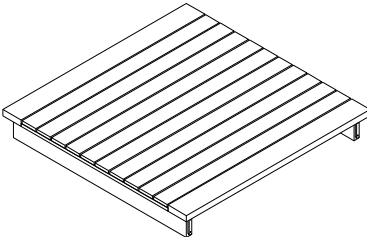
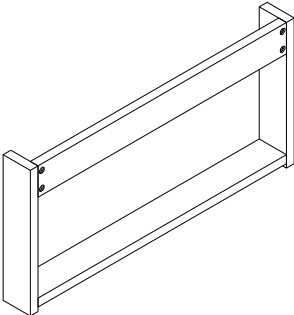


Caution: This Table is NOT a TOY.


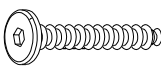
Keep your child/children at bay during the assembly process.

Whenever lifting or moving the Table and to prevent damage to the chair, two adults may be needed to execute these actions.

## Parts List

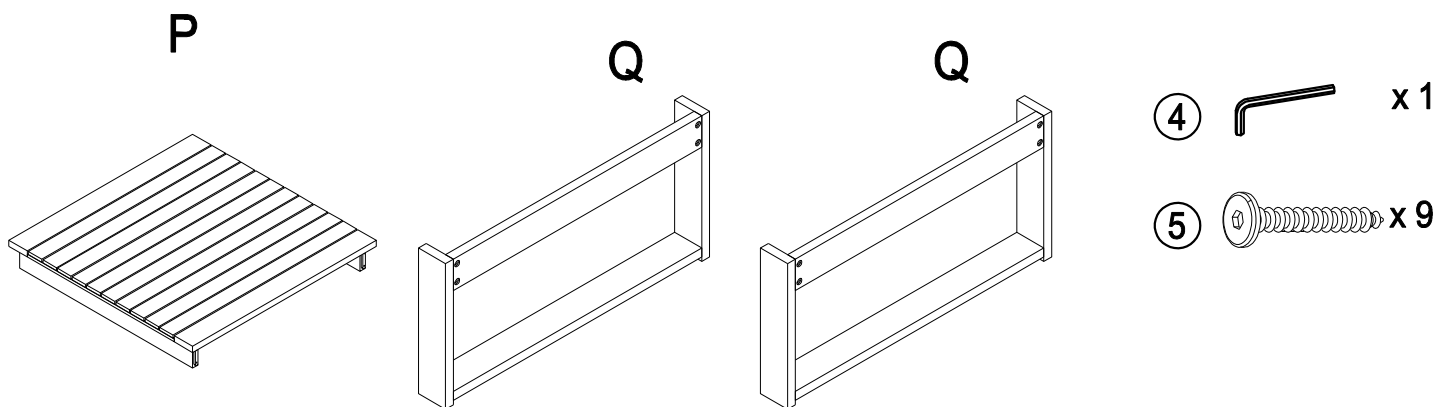
Label	Picture	Description	QTY
P		Table Top	1
Q		Table Leg	2

## Parts List

Label	Picture	Description	QTY
④		Allen Wrench (M4)	1
⑤		Screw (M6x50)	9

## Assembly Preparation

Before Beginning Assembly





- Read instructions, cover to cover.



- Have 2 adults on hand for assembly.



- Do not assemble on flooring or carpet.



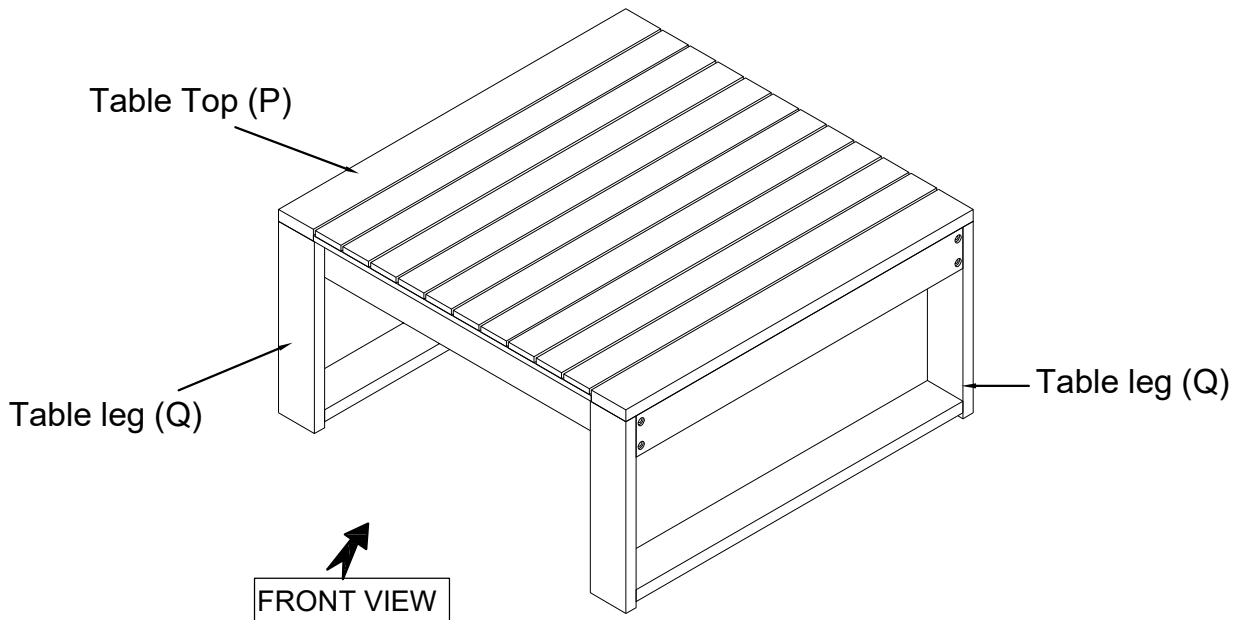
- Assemble on a clean non-marring surface (packing foam ).



- Save all packaging until finished.

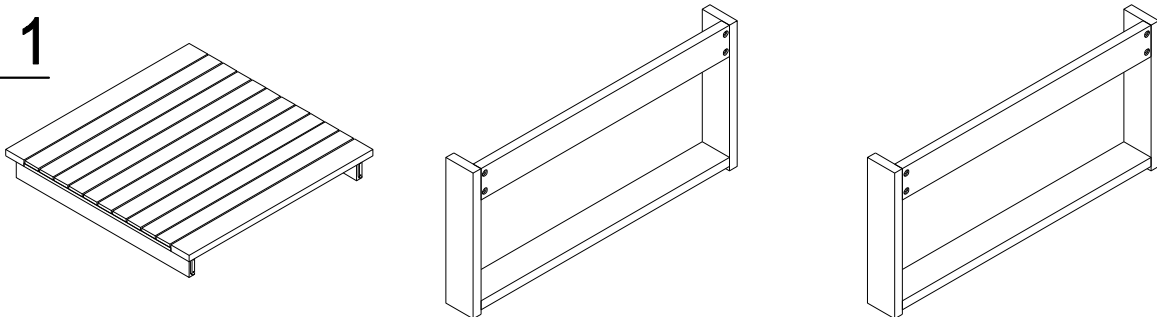
## Assembly Preparation

### Overview



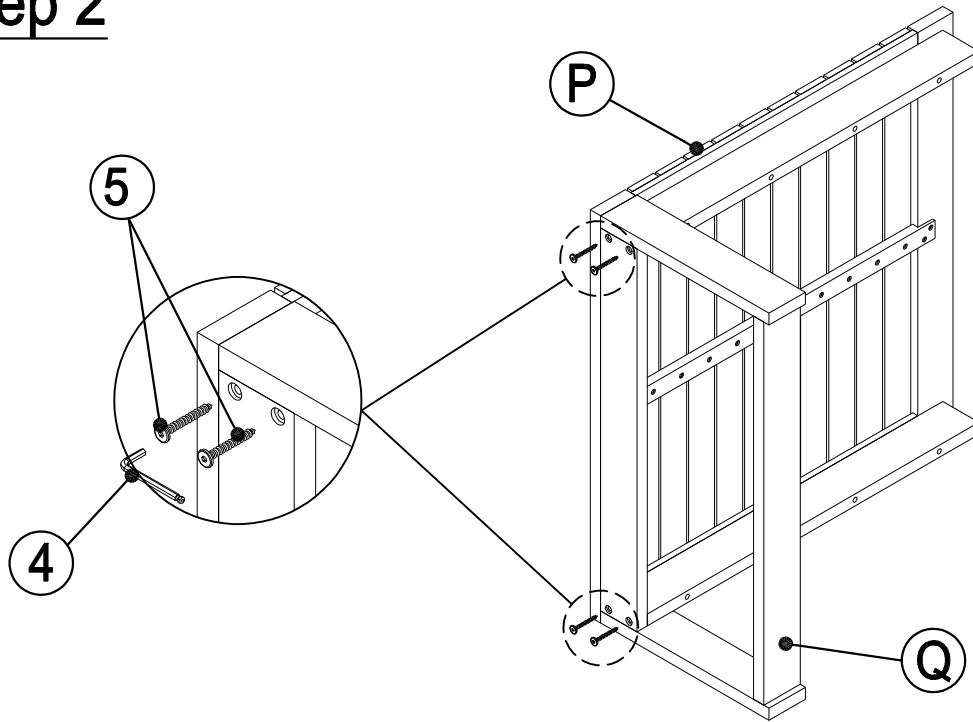
This Table has multiple parts and may require up to some 30 minutes to assemble. To give you an overview of the Table, the above picture is to help you put the various parts into perspective. Please read through the instructions here below to familiarise the parts and steps before assembly.

### Step 1



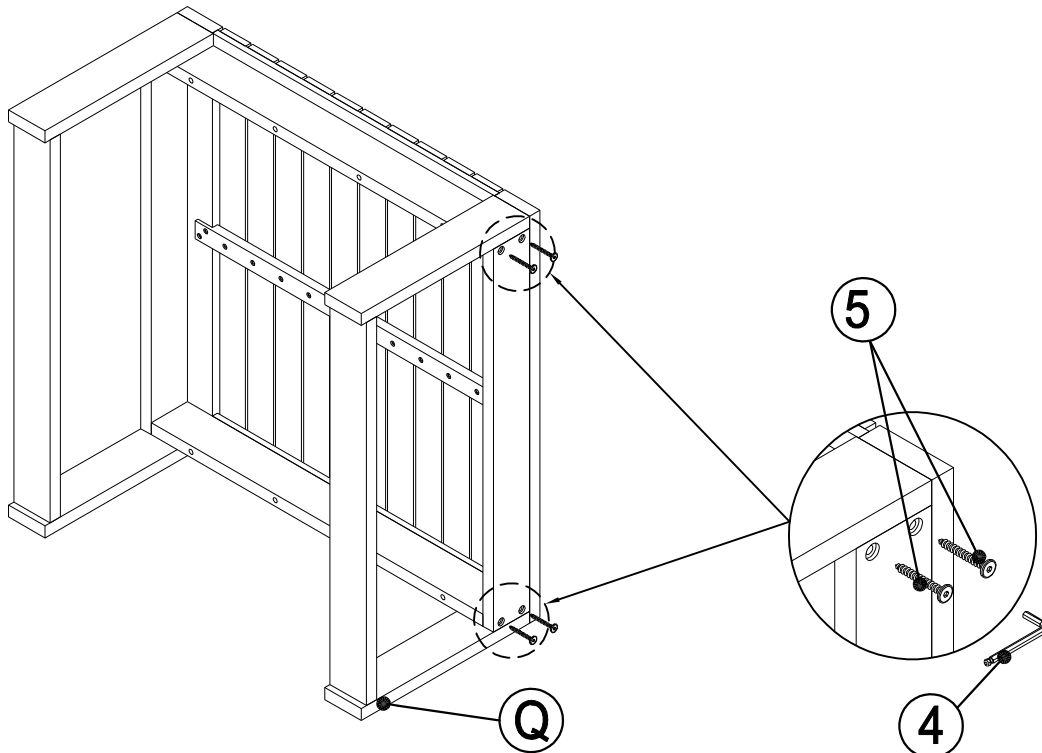
Unpack and place all parts on a clean, non-marring surface

## Step 2



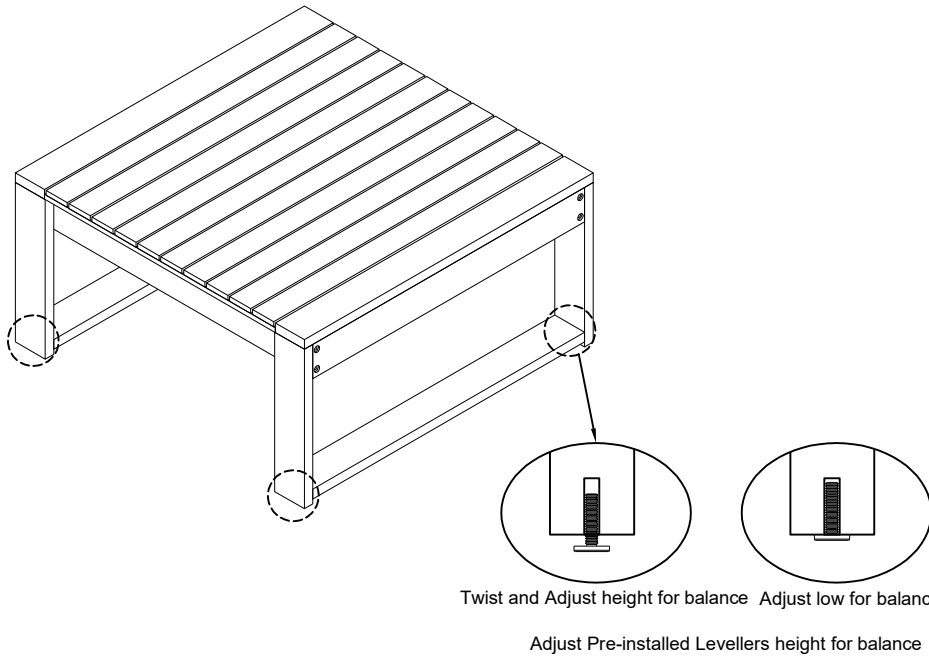
With assistance from your adult partner, attach the Table Leg (Q) to Table Top (P) by using Screw (5), with Allen Wrench (4) as shown above  
**Do not fully tighten the Screws.**

## Step 3



With assistance from your adult partner, attach the remain Table Leg (Q) to Table Top (P) by using Screw (5), with Allen Wrench (4) as shown above.  
**Do not fully tighten the Screws.**

## Step 4



### **Turn the Table right side up.**

Place the table onto a flat level surface.

Then Exert pressure onto the table with both hands follow floorwards, this pressure will help to align all the parts at all joint areas.

Check for wobbles on a Level surface.

If no wobbles are found, in a sequential manner, gradually tighten all Bolts at all joints until evenly secured.

Inspect the table and make sure all parts areadequately connected.

Your table is ready for use.

This table can only used on a flat, level surface.