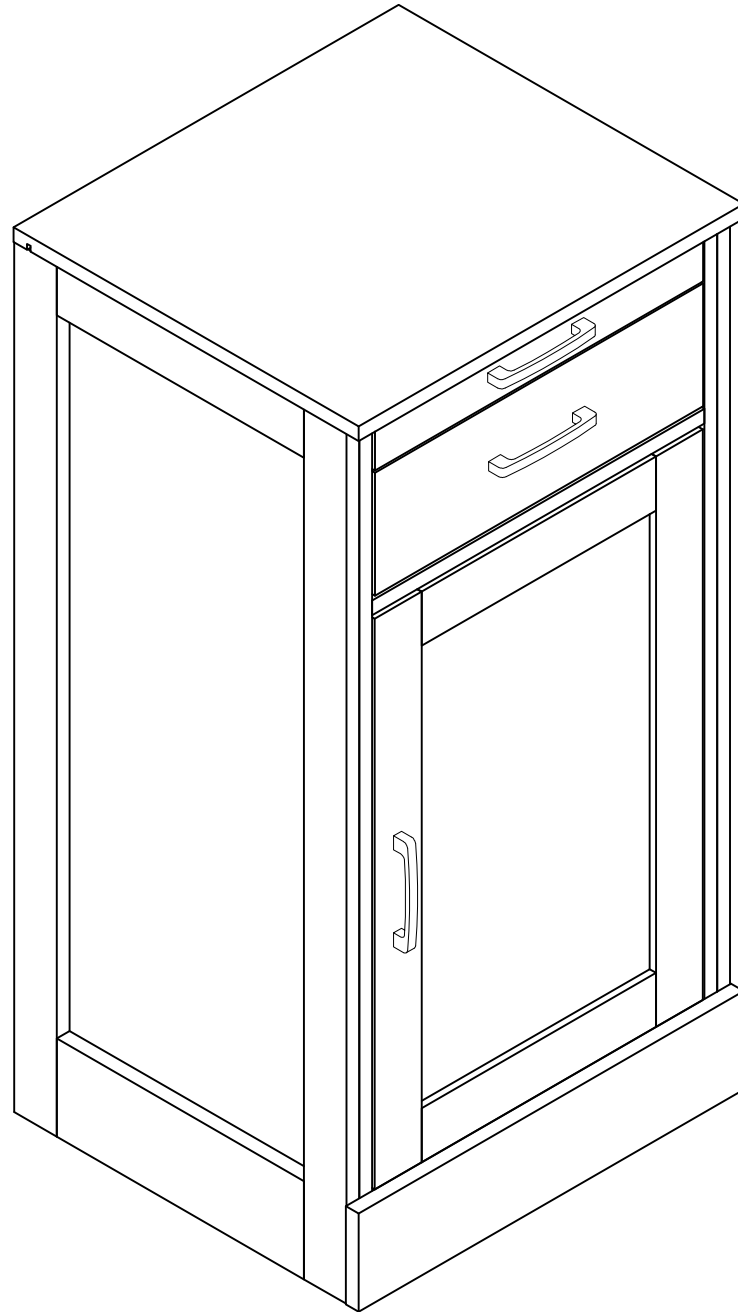
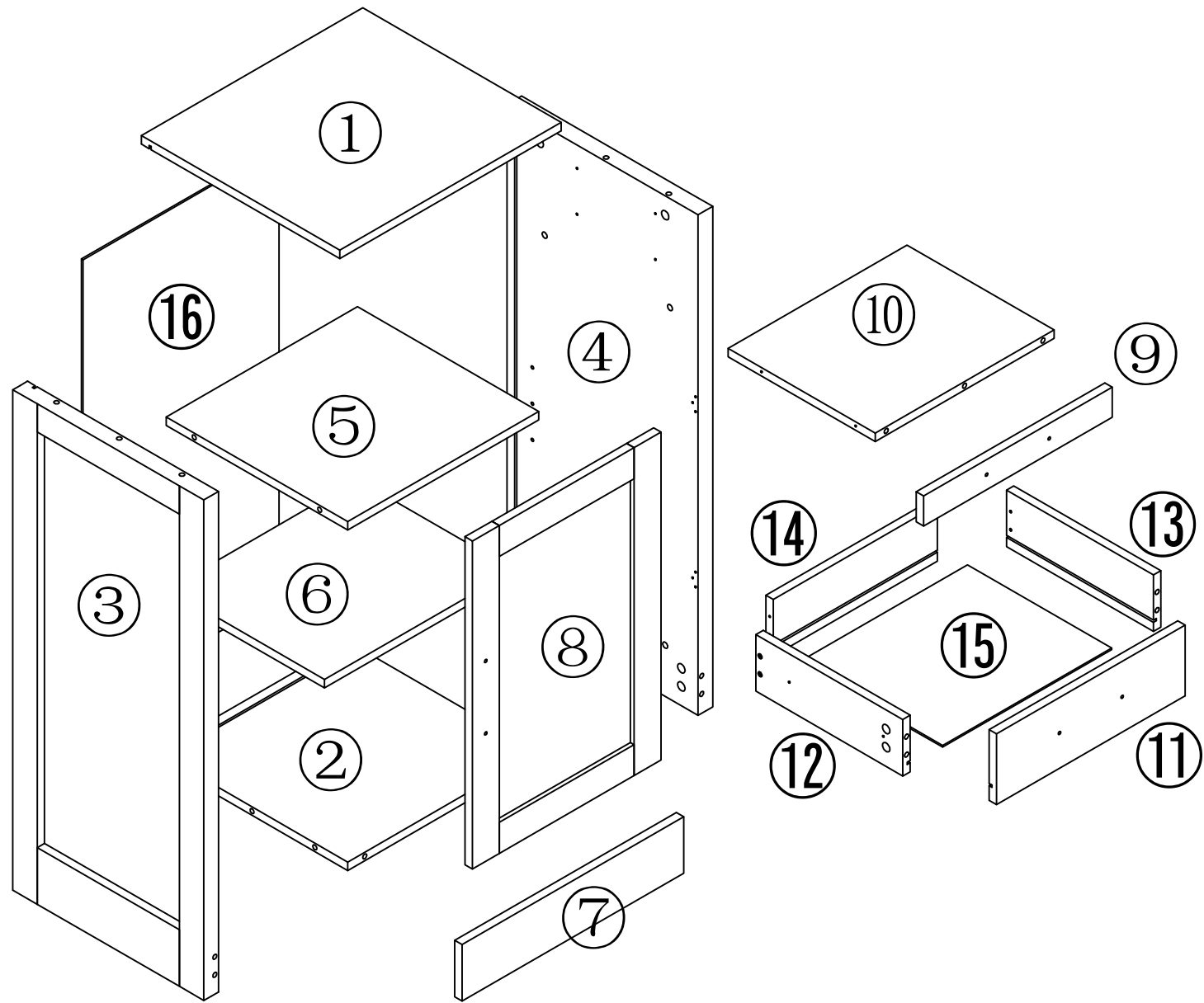



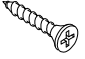
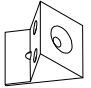
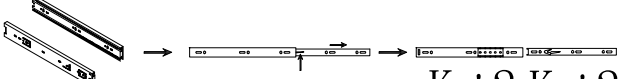


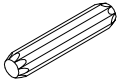
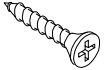

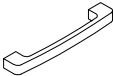

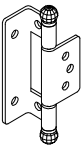

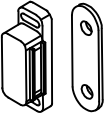


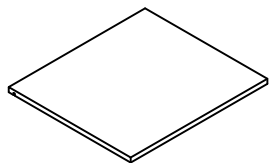
# Installation & Assembly





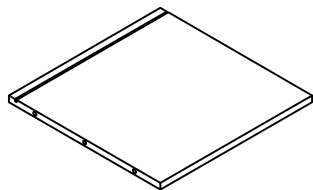
<p>O 4*50</p>  <p>2PCS</p>	<p>P 8*40</p>  <p>2PCS</p>	
<p>L</p>  <p>2PCS</p>	<p>M 3*12</p>  <p>4PCS</p>	<p>N</p>  <p>4PCS</p>
<p>K</p>  <p><math>K_1*2</math> <math>K_2*2</math></p> <p>2PCS</p> <p>300mm</p>		
<p>A</p>  <p>25PCS</p>	<p>B</p>  <p>25PCS</p>	<p>C 8*40</p>  <p>4PCS</p>
<p>D 3.5*14</p>  <p>38PCS</p>	<p>E 3.5*35</p>  <p>4PCS</p>	<p>F</p>  <p>3PCS</p>
<p>G 4*18</p>  <p>6PCS</p>	<p>H</p>  <p>2PCS</p>	<p>I</p>  <p>4PCS</p>
<p>J</p>  <p>1PCS</p>		

1



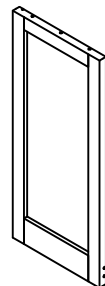
452\*405 1PCS

2



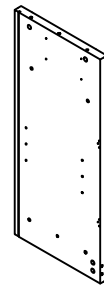
390\*390 1PCS

3



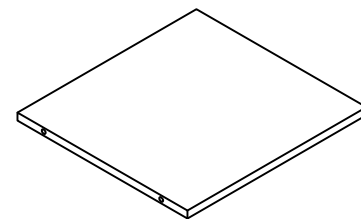
885\*390 1PCS

4



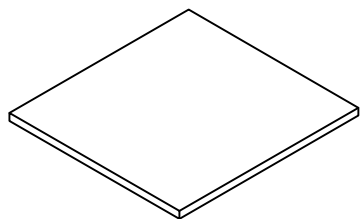
885\*390 1PCS

5



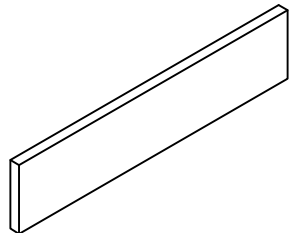
390\*370 1PCS

6



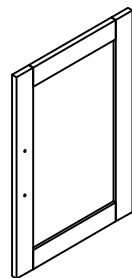
387\*320 1PCS

7



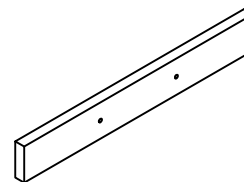
452\*100 1PCS

8



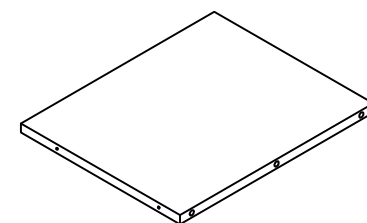
580\*385 1PCS

9



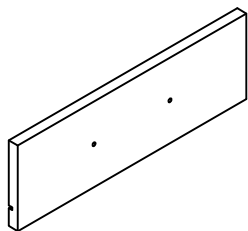
385\*53 1PCS

10



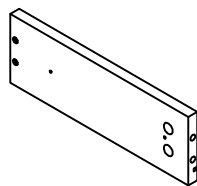
365\*300 1PCS

11



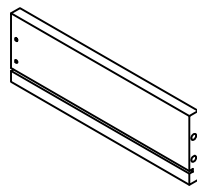
385\*125 1PCS

12



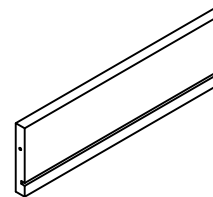
300\*100 1PCS

13



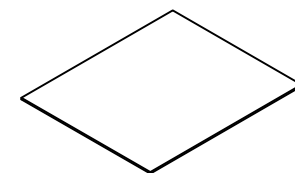
300\*100 1PCS

14



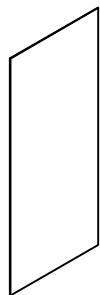
335\*100 1PCS

15



345\*294 1PCS

16



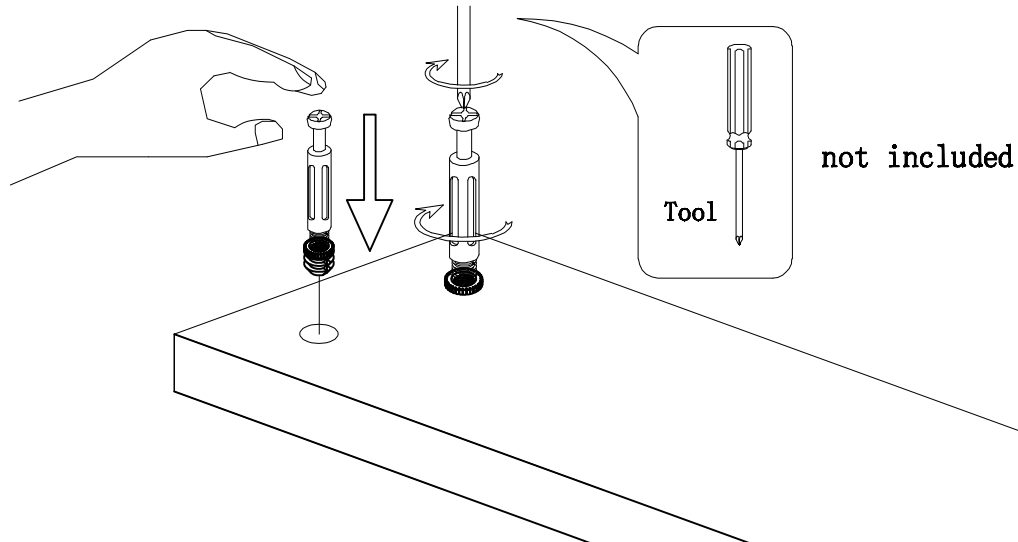
879\*400 1PCS



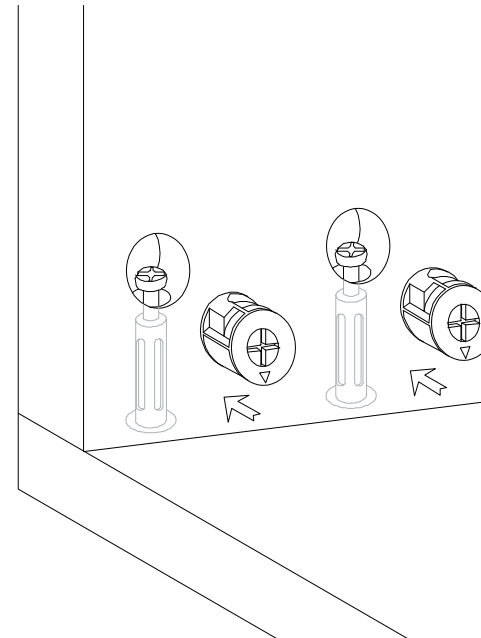
# Hardware installation demonstration

NOTE: Please make sure "A" hardware tightened and can't be pulled out!

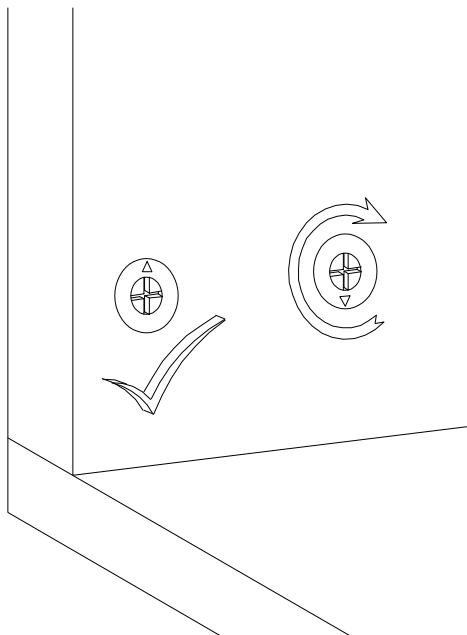
I



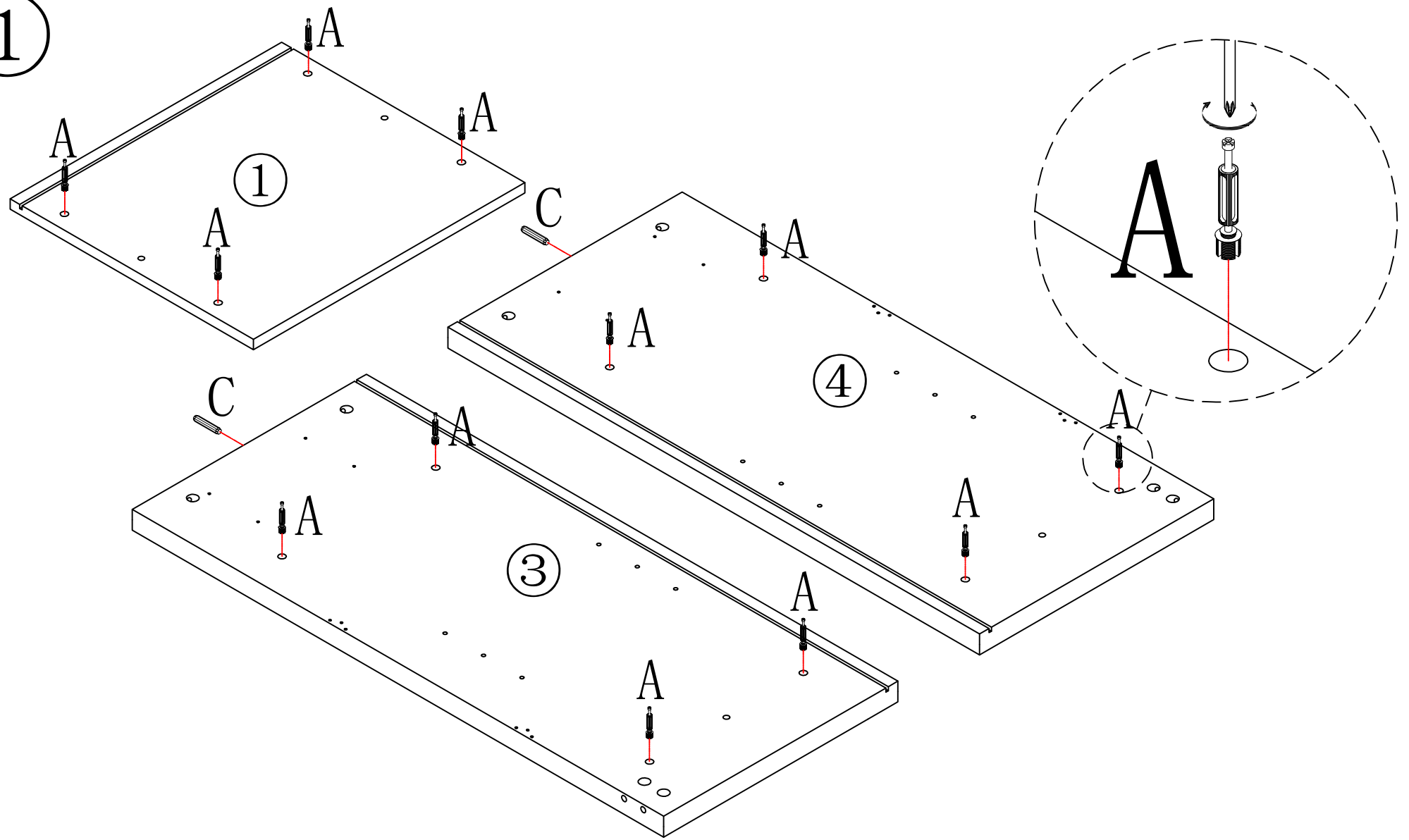
II


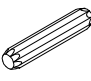


III



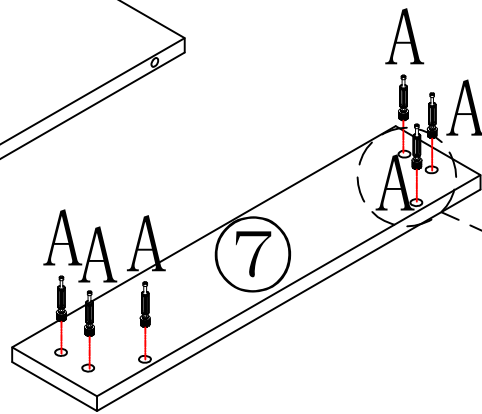
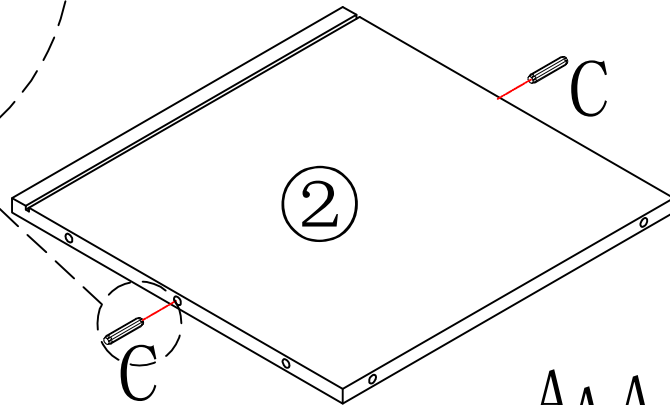
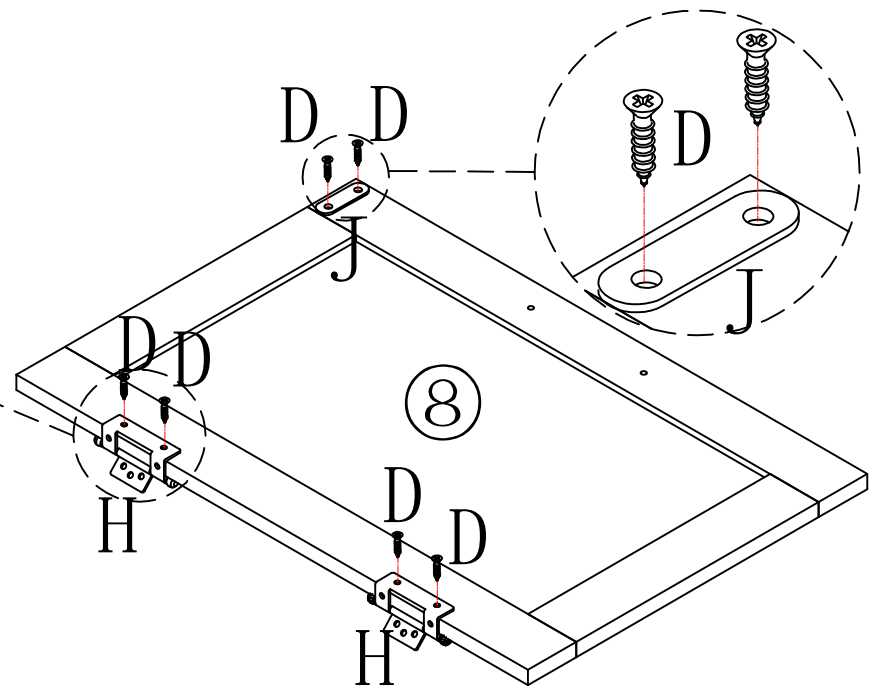
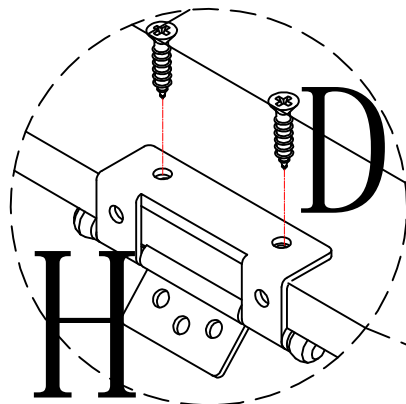
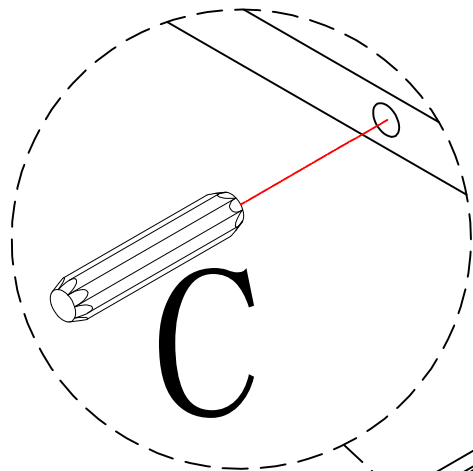
①



	A*12
	C*2

put A on board ① ③ ④  
 put C on board ③ ④

2

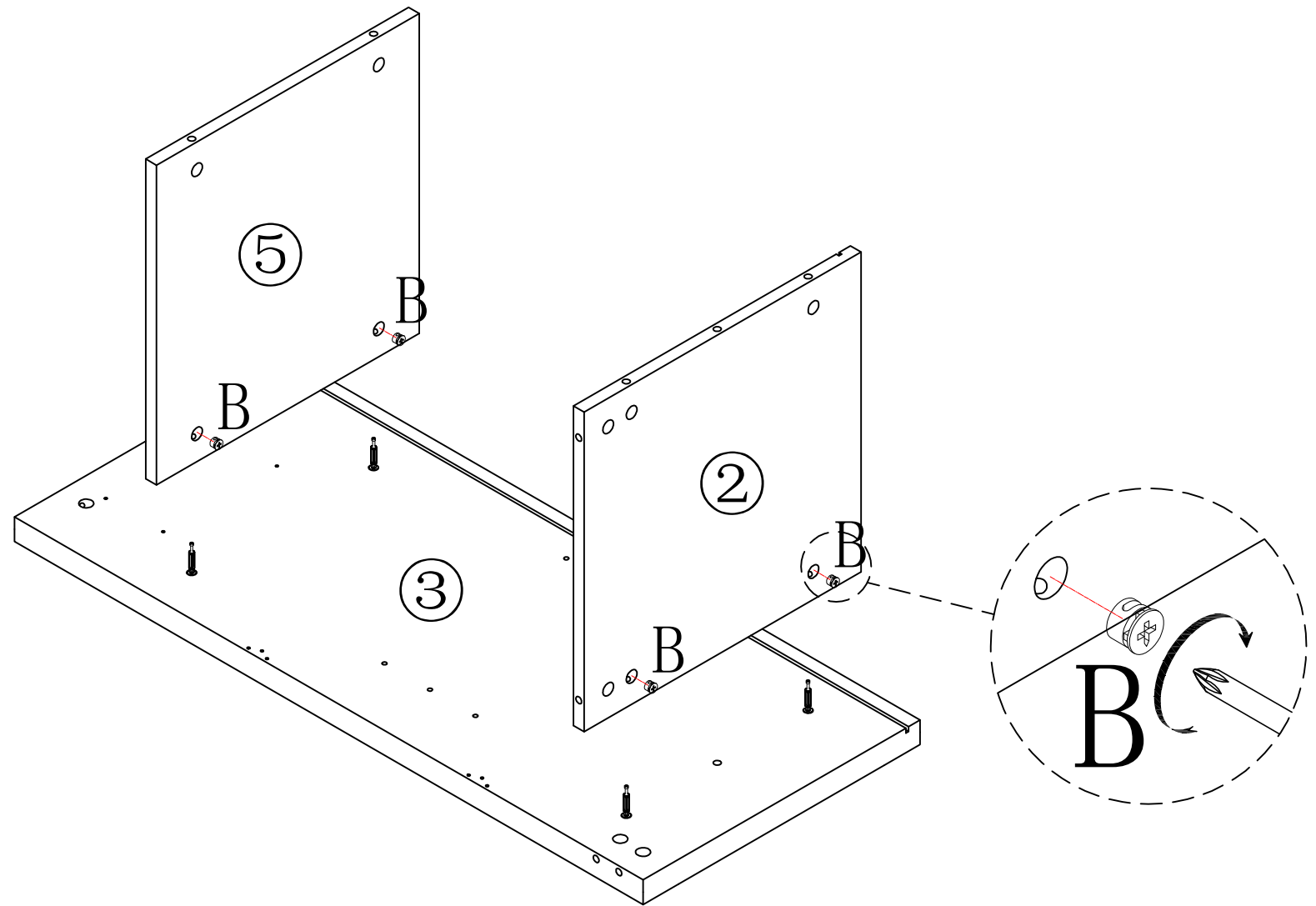


	A*6
	C*2
	D*6
	H*2
	J*1

put A on board ⑦

put C on board ②

③



Make sure the arrow on the screw align to the hole on the side.

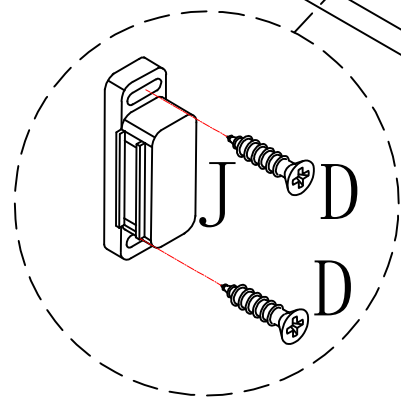
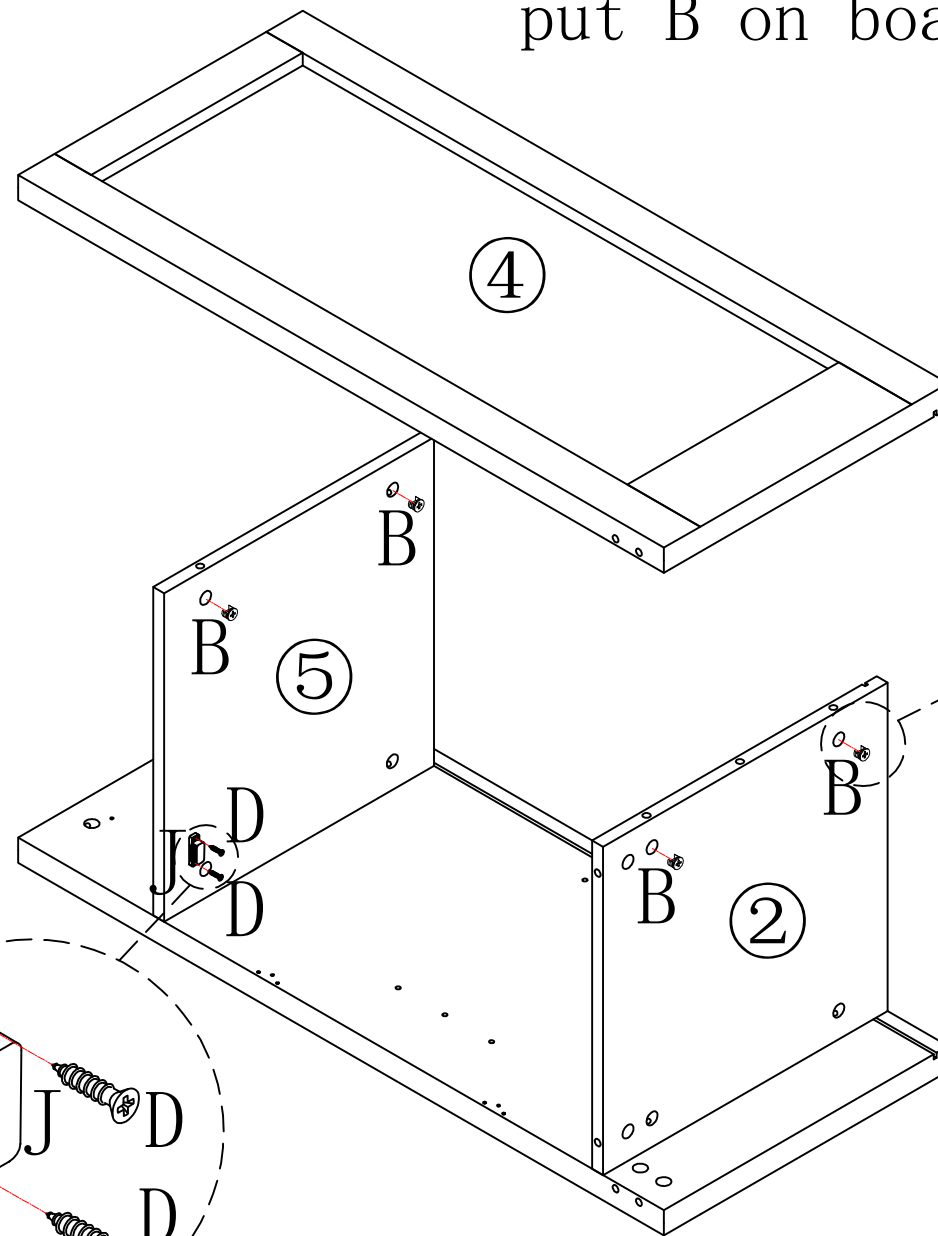
put B on board ② ⑤


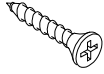



B\*4

4

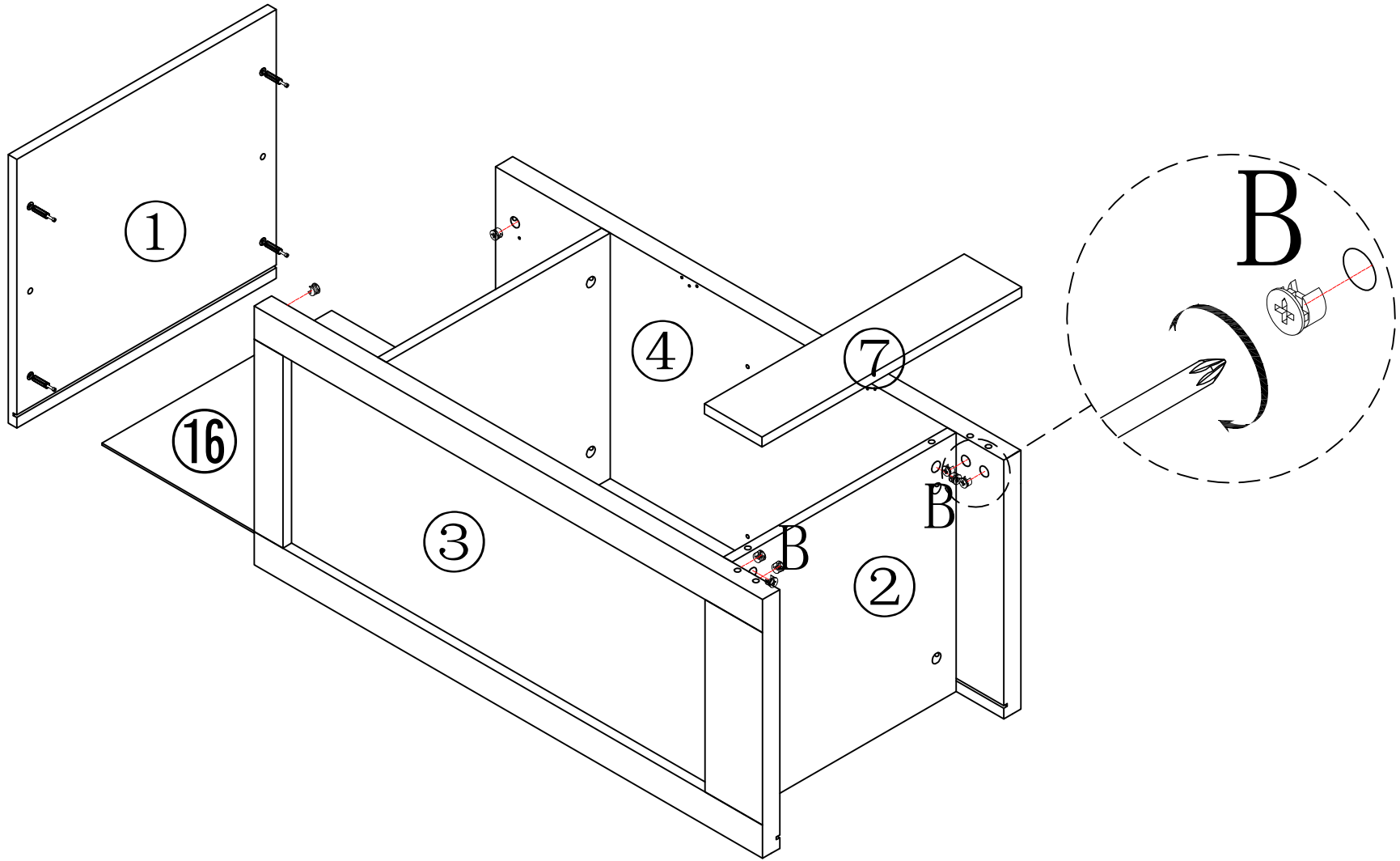
put B on board ② ⑤



	B*4
	D*2
	J*1

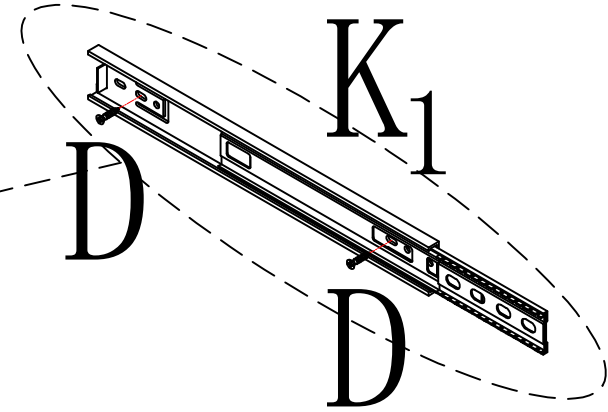
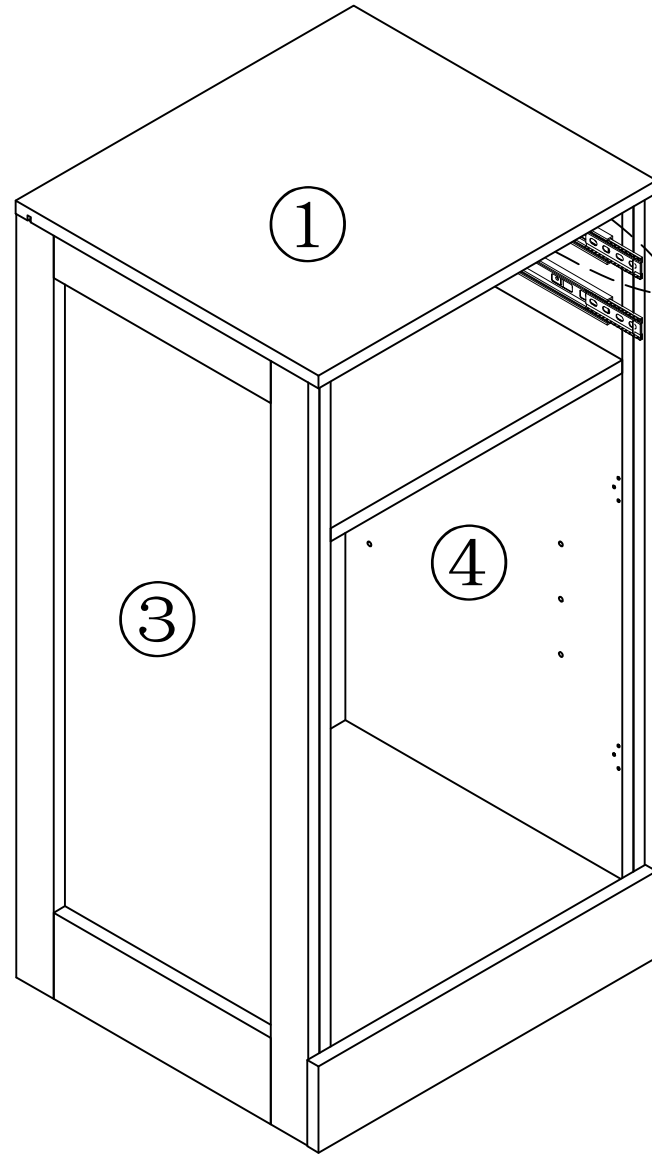
5

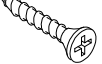

put B on board ② ③ ④



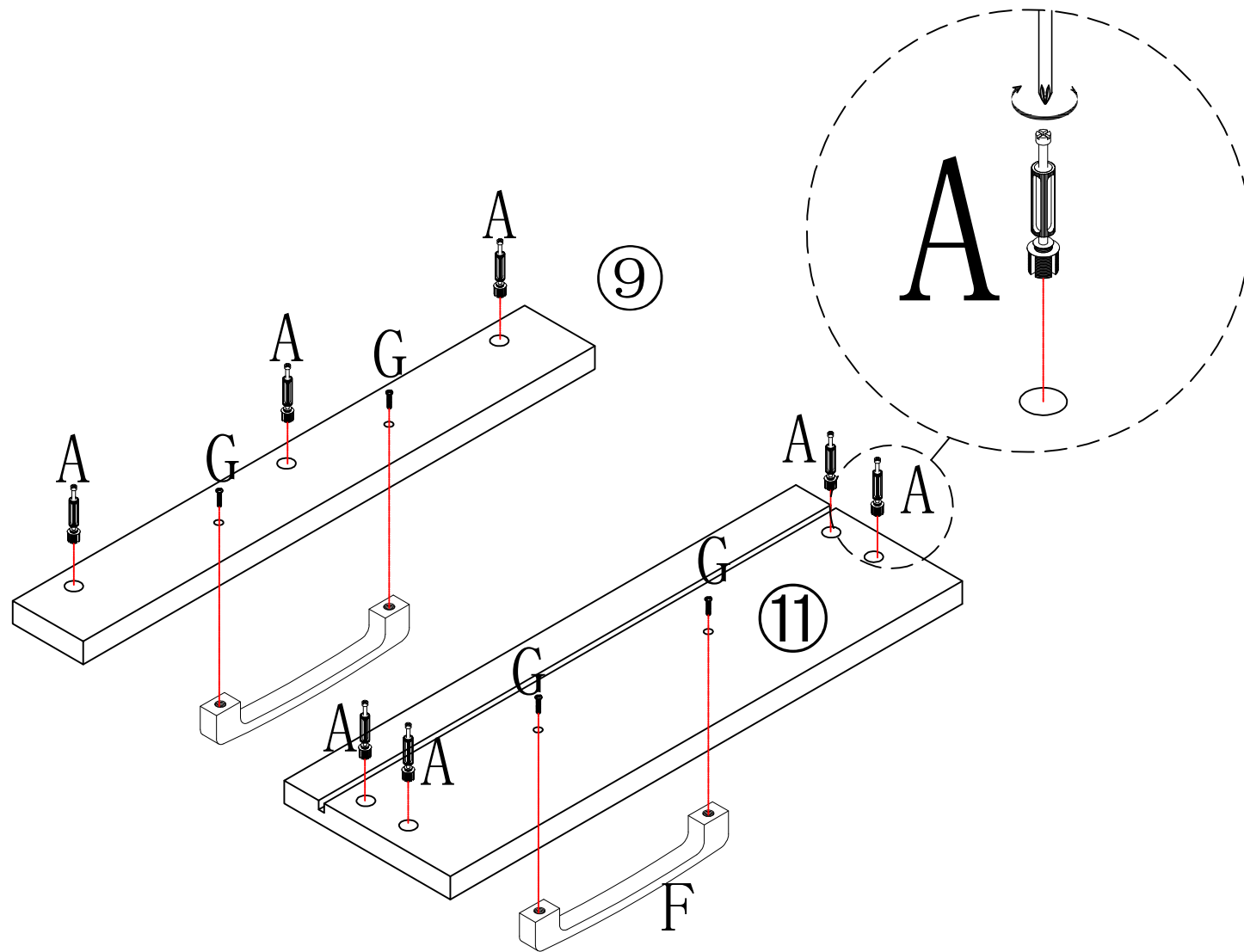
B\*10


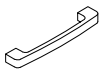

⑥



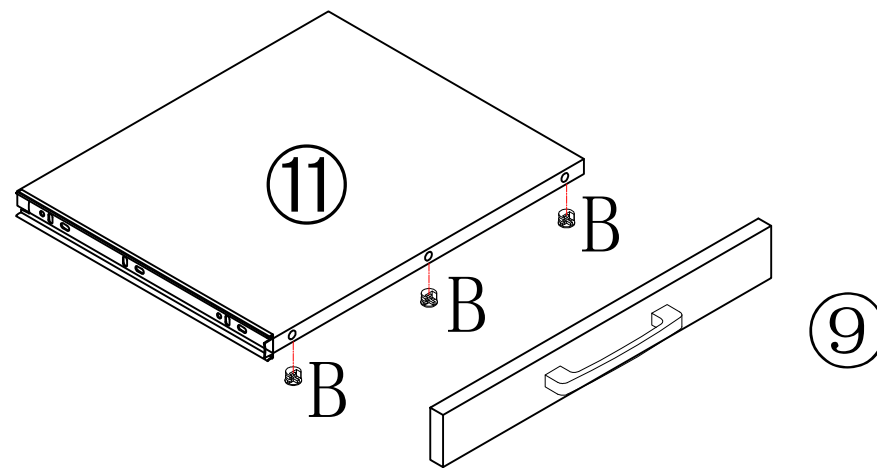
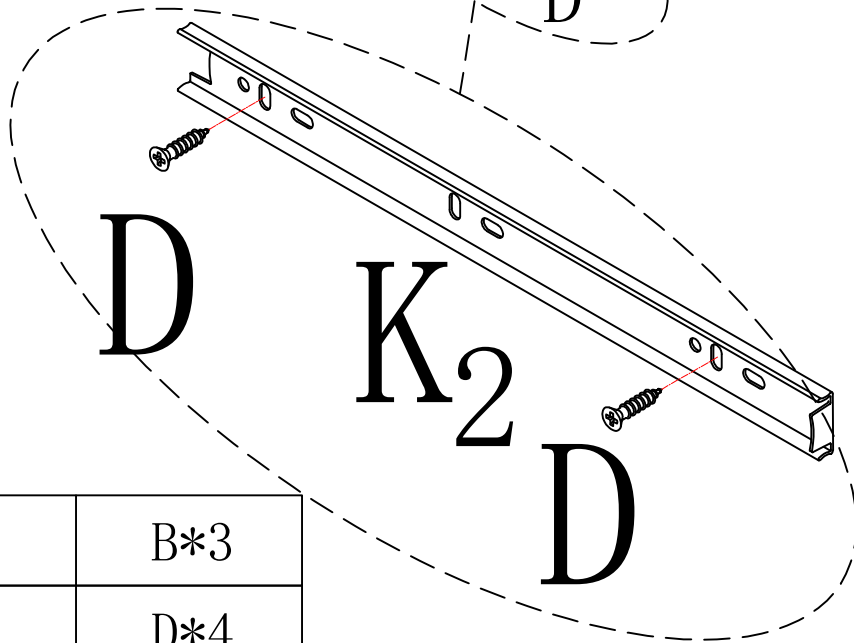
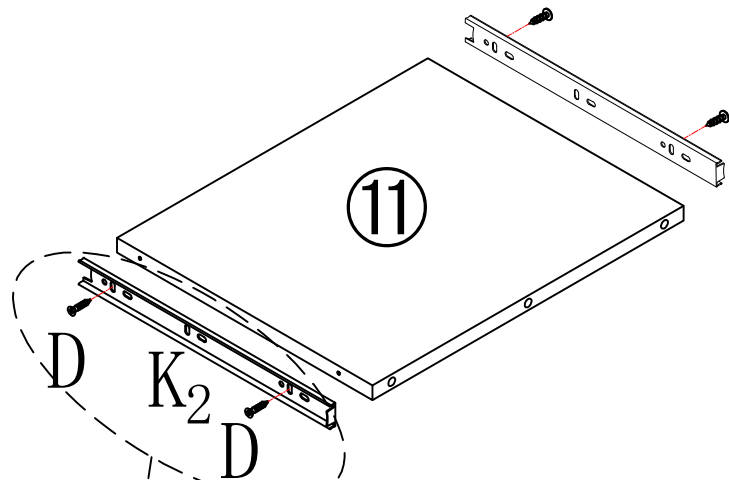
	D*8
	K <sub>1</sub> *4

7






	A*7
	F*2
	G*4

8

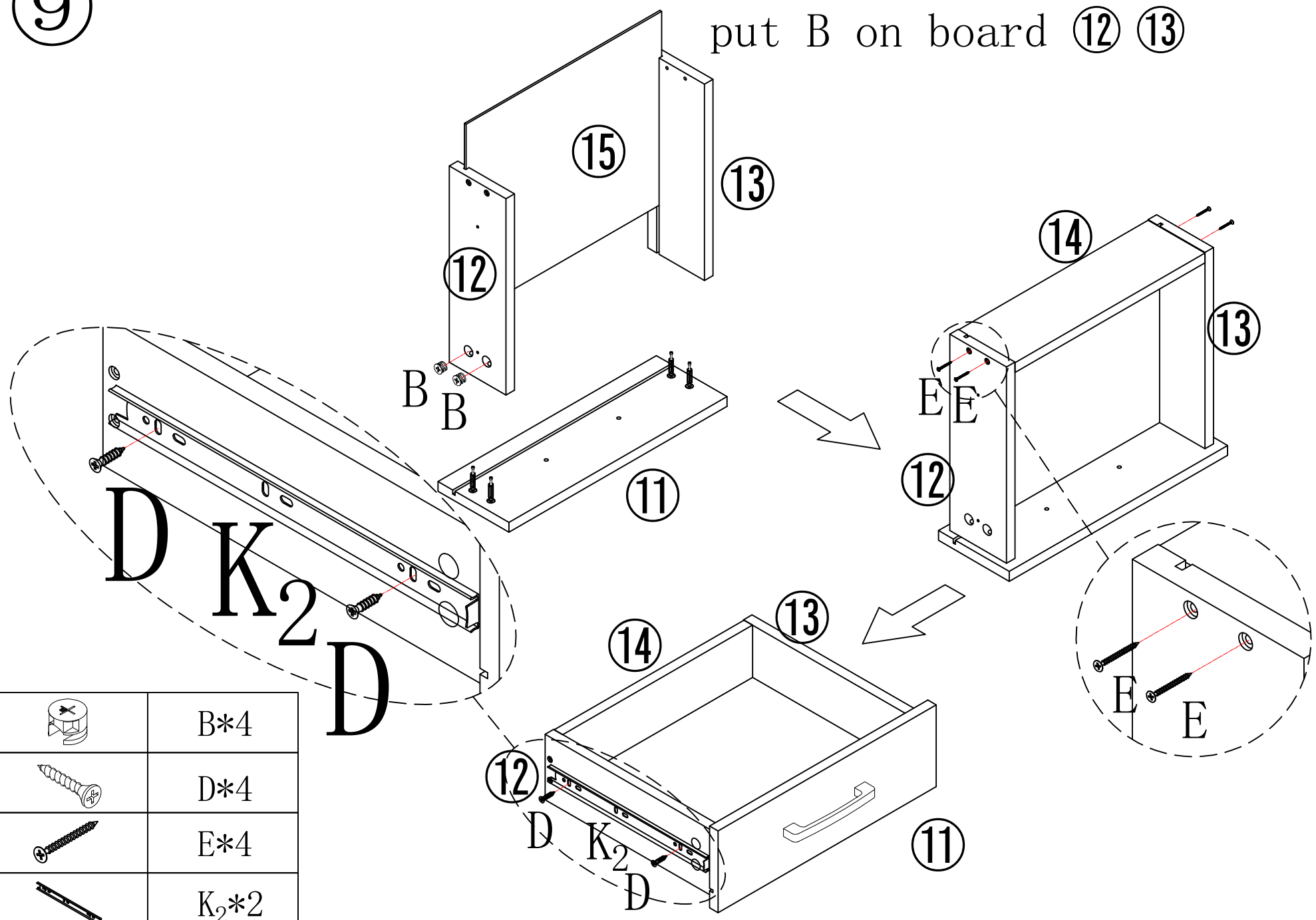



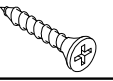
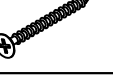

put B on board 11

	B*3
	D*4
	K <sub>2</sub> *2

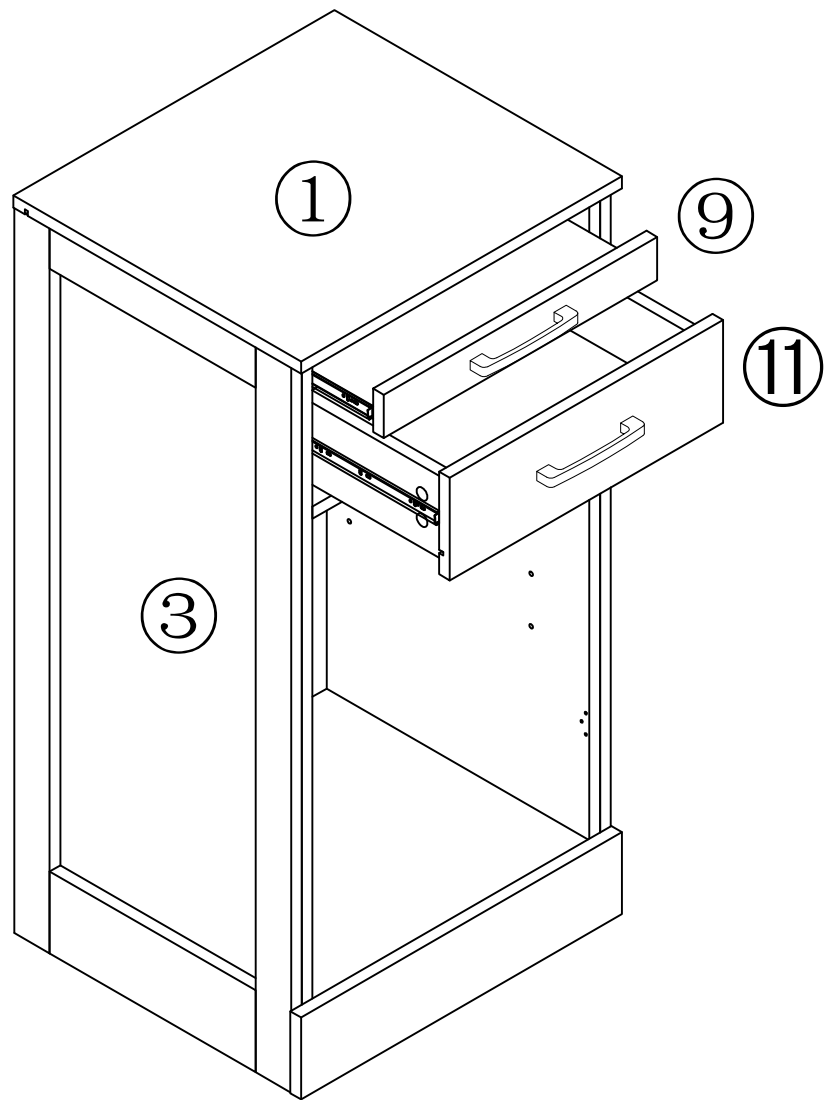
9

put B on board 12 13

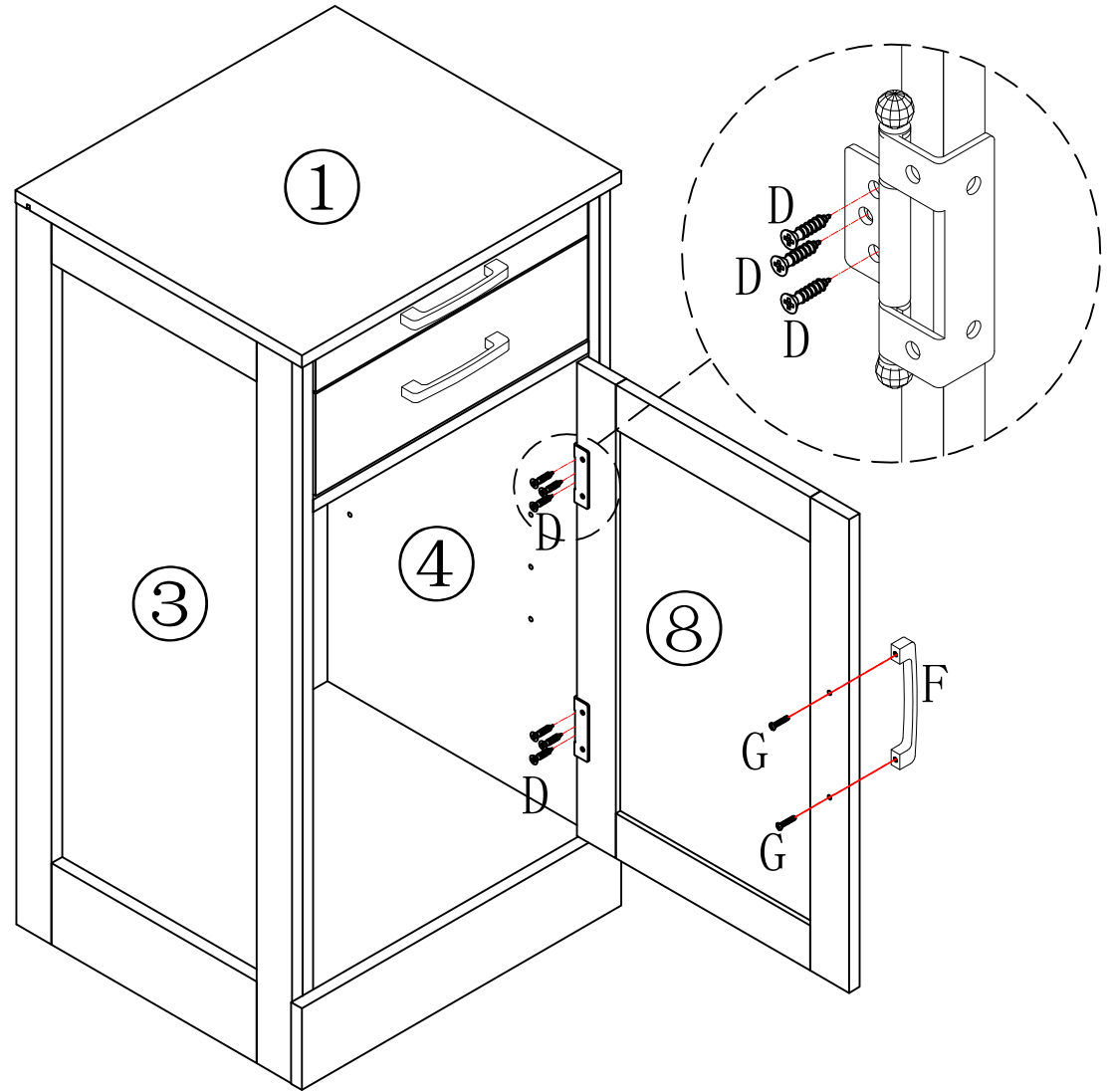



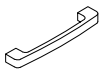

	B*4
	D*4
	E*4
	K <sub>2</sub> *2

10

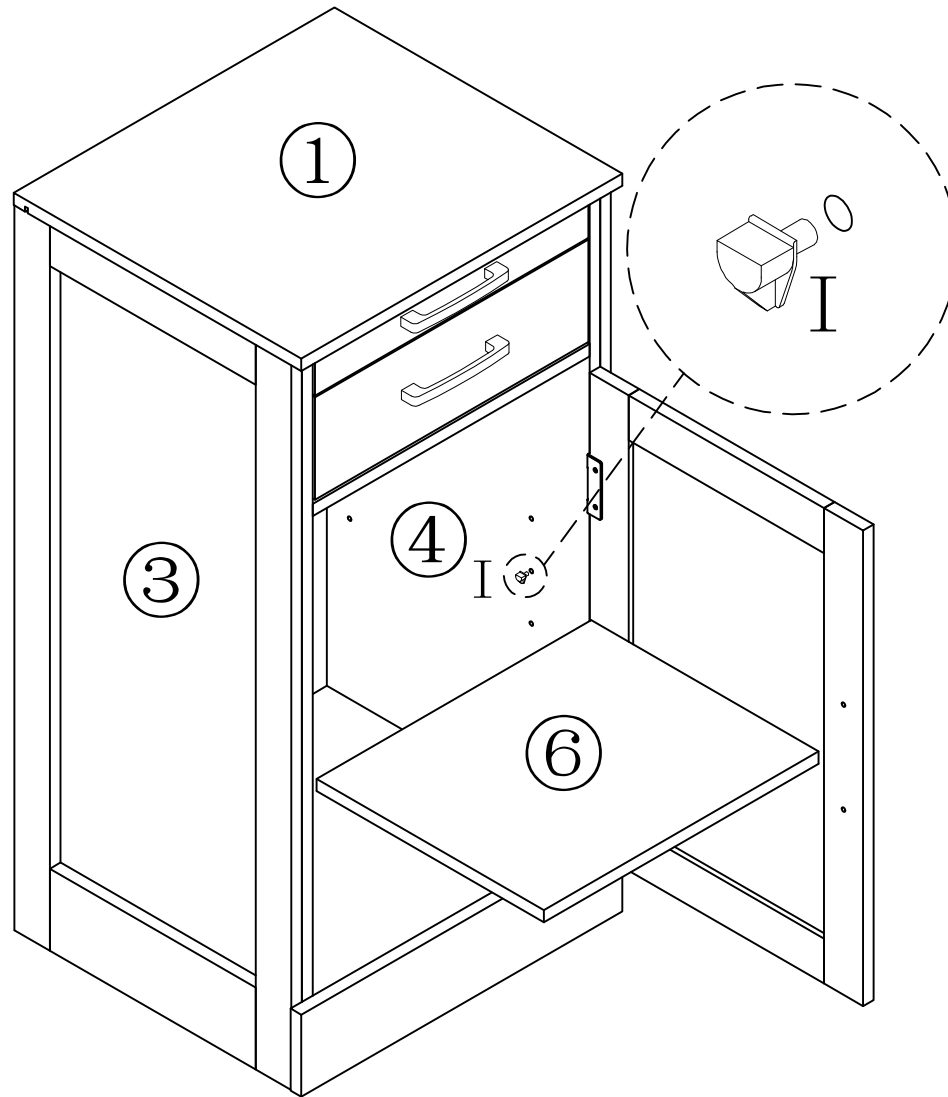


11



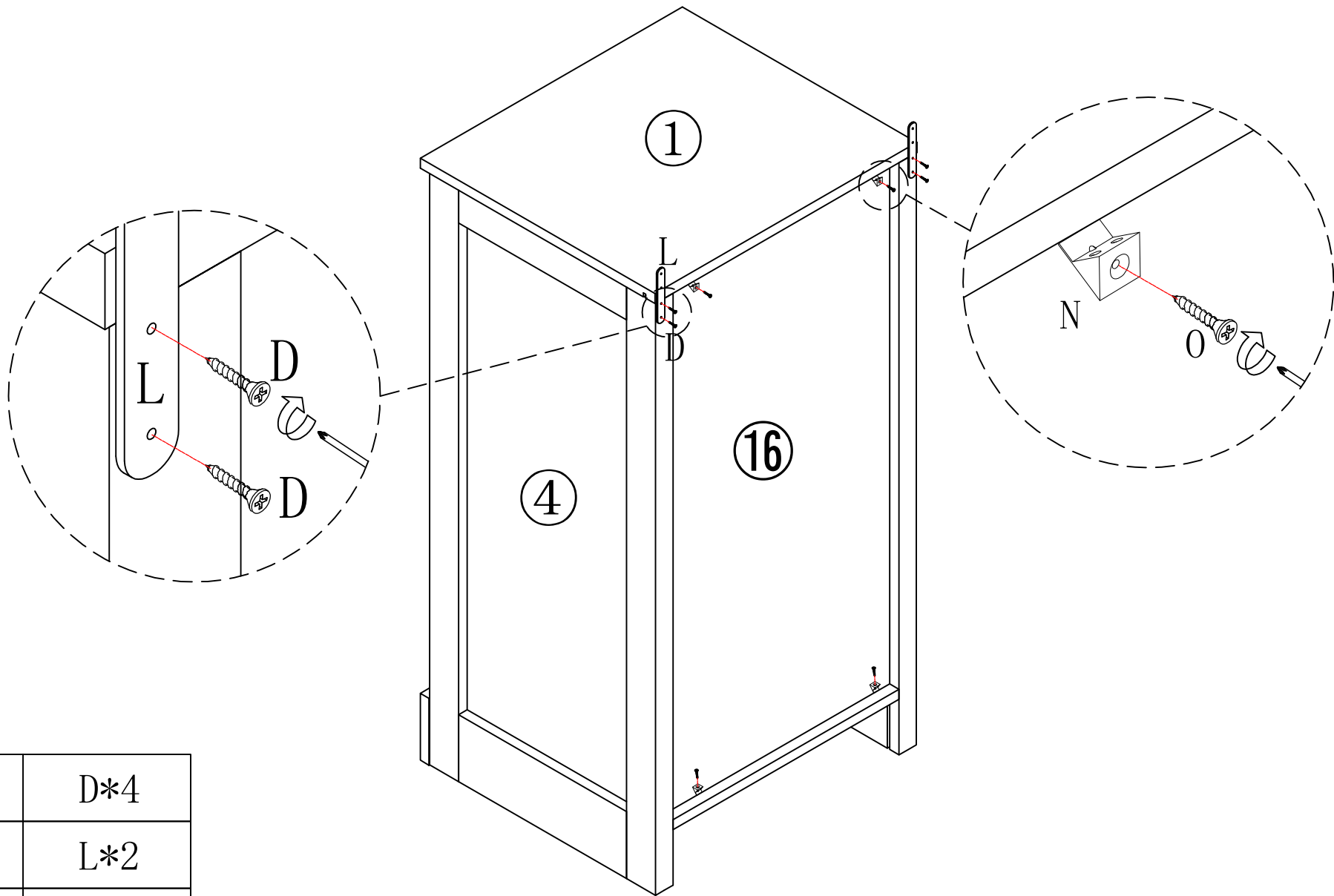
	D*6
	F*1
	G*2




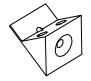
12



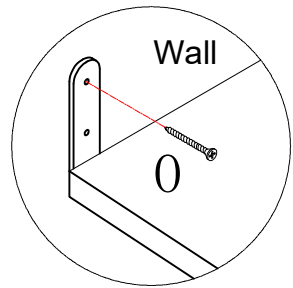
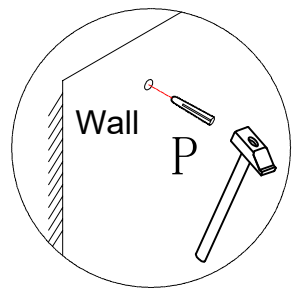
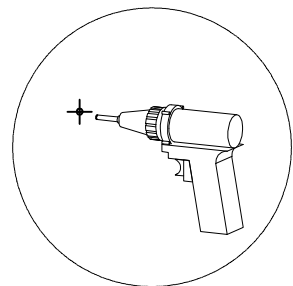
I\*4



13



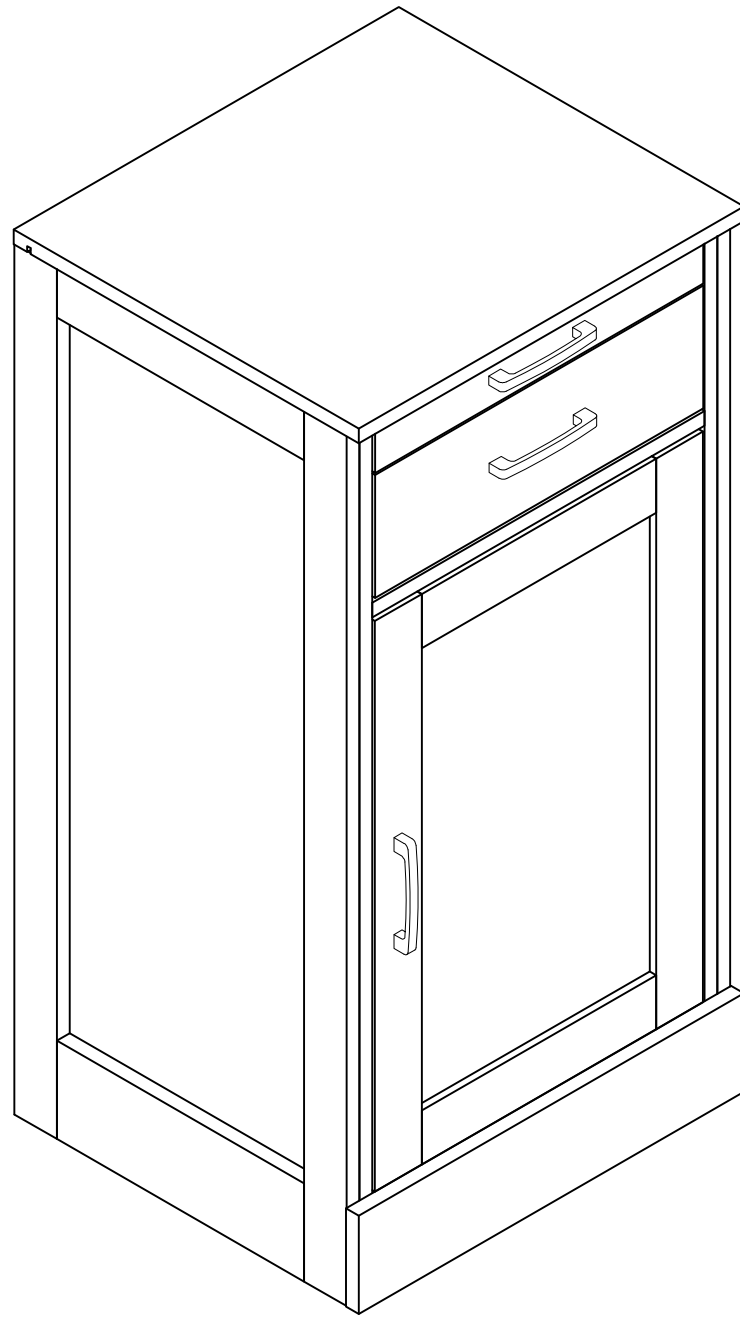
	D*4
	L*2
	M*4
	N*4

14

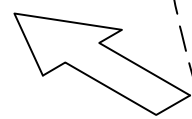
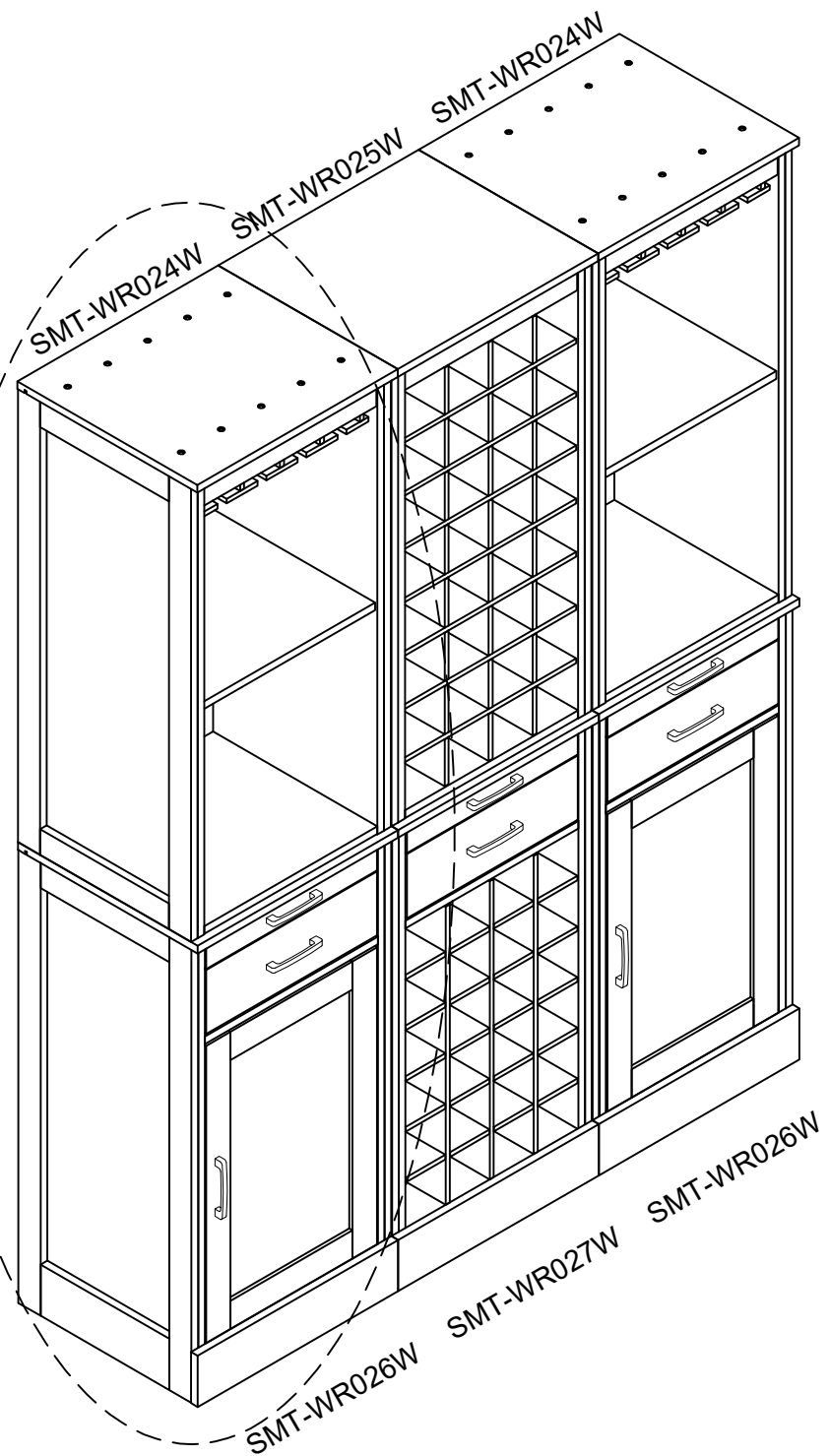
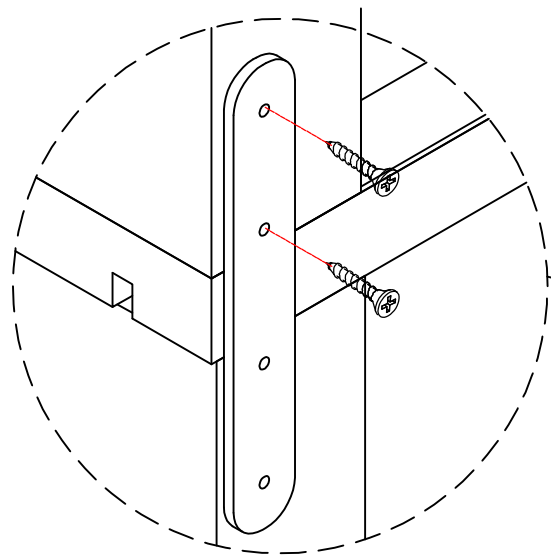
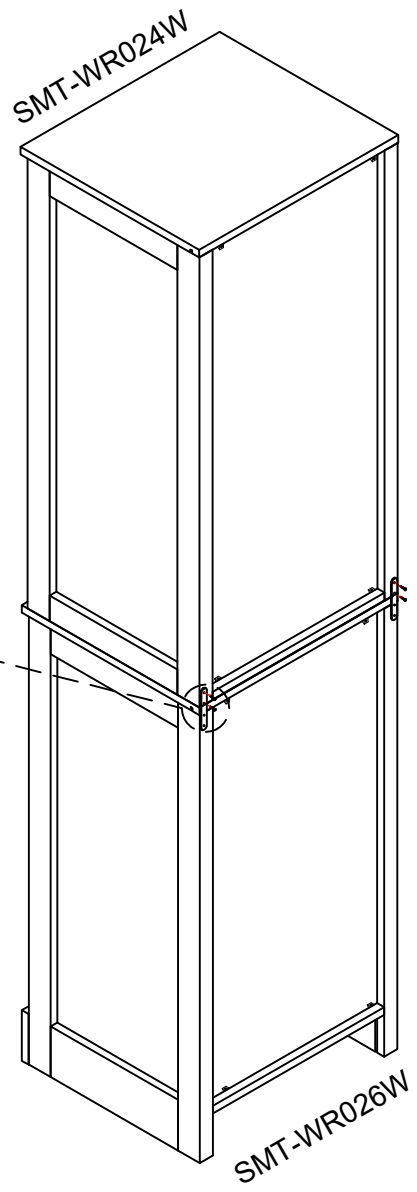



	0*2
	P*2

Please install tip-proof fitting.



END



	D*4
---	-----