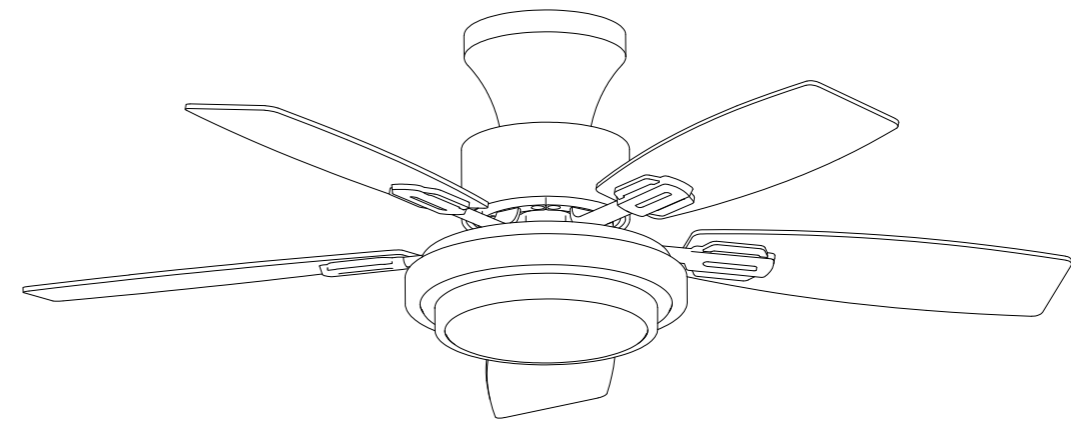


INSTALLATION MANUAL

CEILING FAN WITH LIGHT

Model No.: LL-8866X-42-03

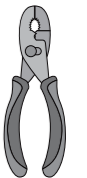


APP Control Applicable

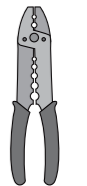
TOOLS REQUIRED



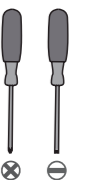
Ladder



Pliers

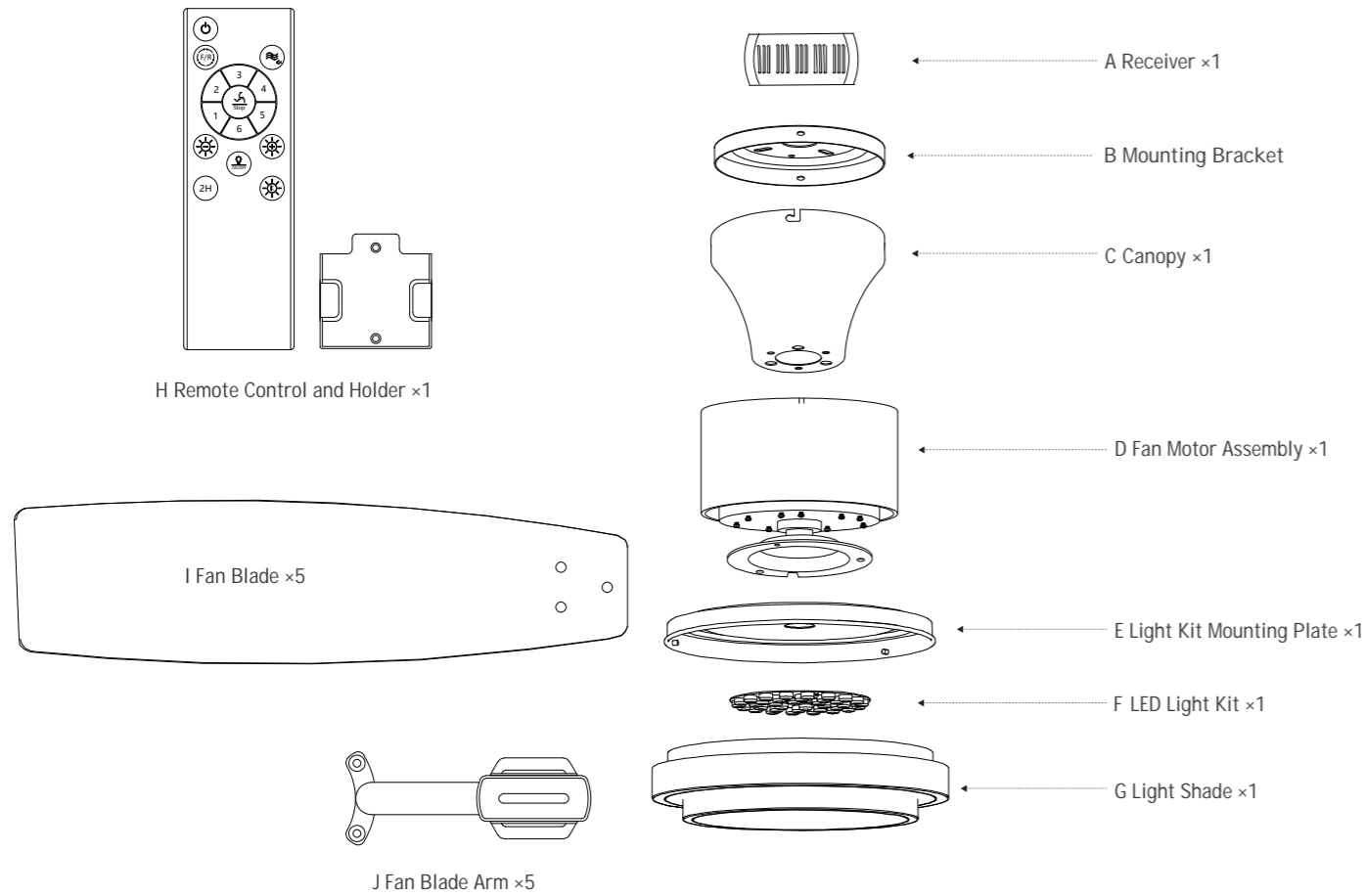


Wire
Strippers



Screwdrivers

PACKING LIST



INSTALLATION KIT

AA	3x	BB	15x	CC	1x
Wire Nut		Fan Blade Screw with Washer		Gloves	
DD	1x	EE	2x	FF	10x
"S" Hook		Outlet Box Screw With Washer		Fan Blade Arm Screw	

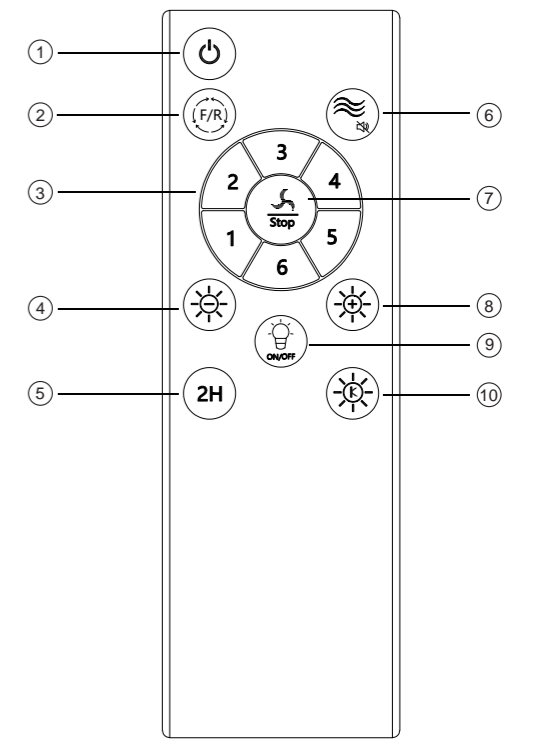
- NOTE:**
- Some extra hardware may be included. The quantity listed above is the number required for installation.
 - Parts "FF" have been installed with Fan Motor Assembly. They need to be disassembled before installation.

REMOTE CONTROL INSTRUCTIONS

REMOTE SIGNAL PAIRING:

If the remote control loses signal of the fan, press and hold the button ⑨ at the very beginning after it's turned on from wall switch. After the fan light flashes or beeps, it's done.

- ①: Turn off power.
- ②: Fan moves forwards & reversely.
- ③: Turn on the fan on 1/2/3/4/5/6 speed.
- ④: Reduce the brightness of the light.
- ⑤: 2H for timing the fan.
(Long press to turn on/off the mute mode.)
- ⑥: Natural wind, fan speed will change automatically with this function.
- ⑦: Turn off the fan.
- ⑧: Increase the brightness of the light.
- ⑨: Turn on / off the light.
- ⑩: Adjust the light color temperature.

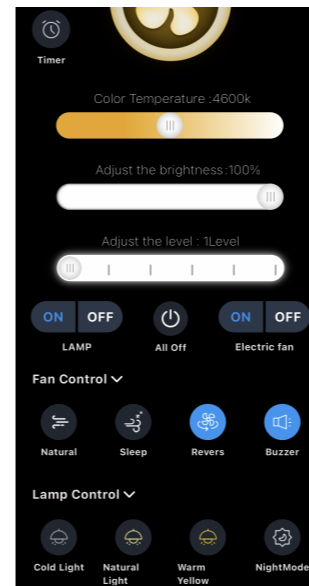


APP CONTROL INSTRUCTIONS



Note: Install the "Tiny Smart" app from Google Play, Apple App Store, or other app stores by scanning the QR code or searching for the app name. Ensure that your phone is connected to the internet and Bluetooth enabled.

Pairing: Add device → Follow the APP operation to turn off the wall switch, and turn it on after 5 seconds. The device will automatically connect to the Ceiling Fan.

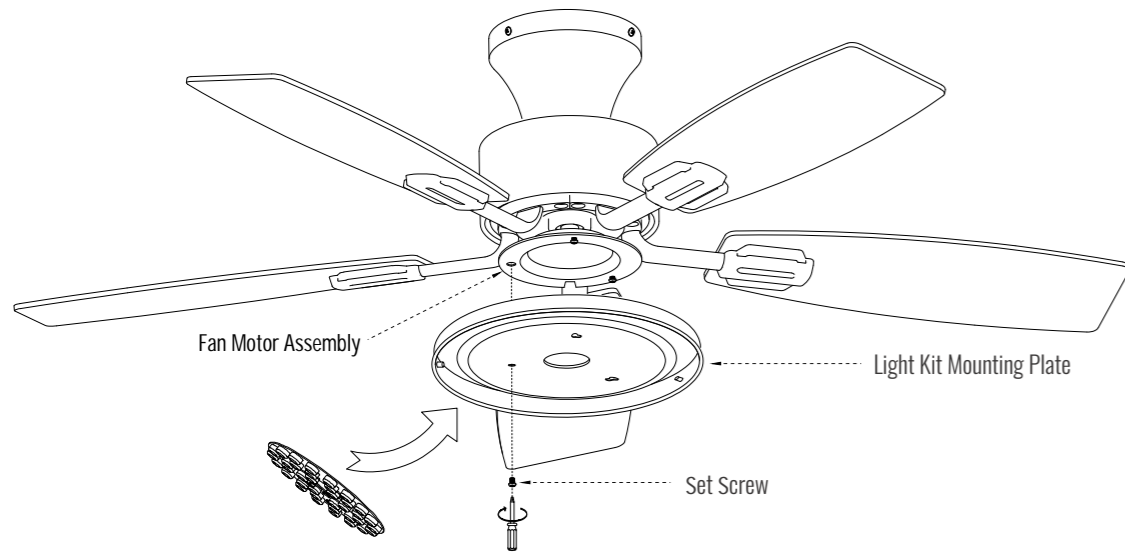


	Slide to adjust the Fan Speed.		Slide to adjust the Light Color.
	Turn on/off the light.		Slide to adjust the Brightness of the Light.
	Turn on/off the fan.		Quickly change Light Color " White, Yellow, Natural ".
	Turn off the fan and light.		Switch to night light mode.
	1H-8H for timing the fan.		Sleeping wind (Not applicable on this fan).
	Fan forward & Fan reverse.		Turn on/off the mute mode .
	Natural Wind: Simulate natural wind and automatically adjust the wind speed.		

7. Install the Light Kit Mounting Plate

Step 1. Take off the set screws from Fan Motor Assembly.

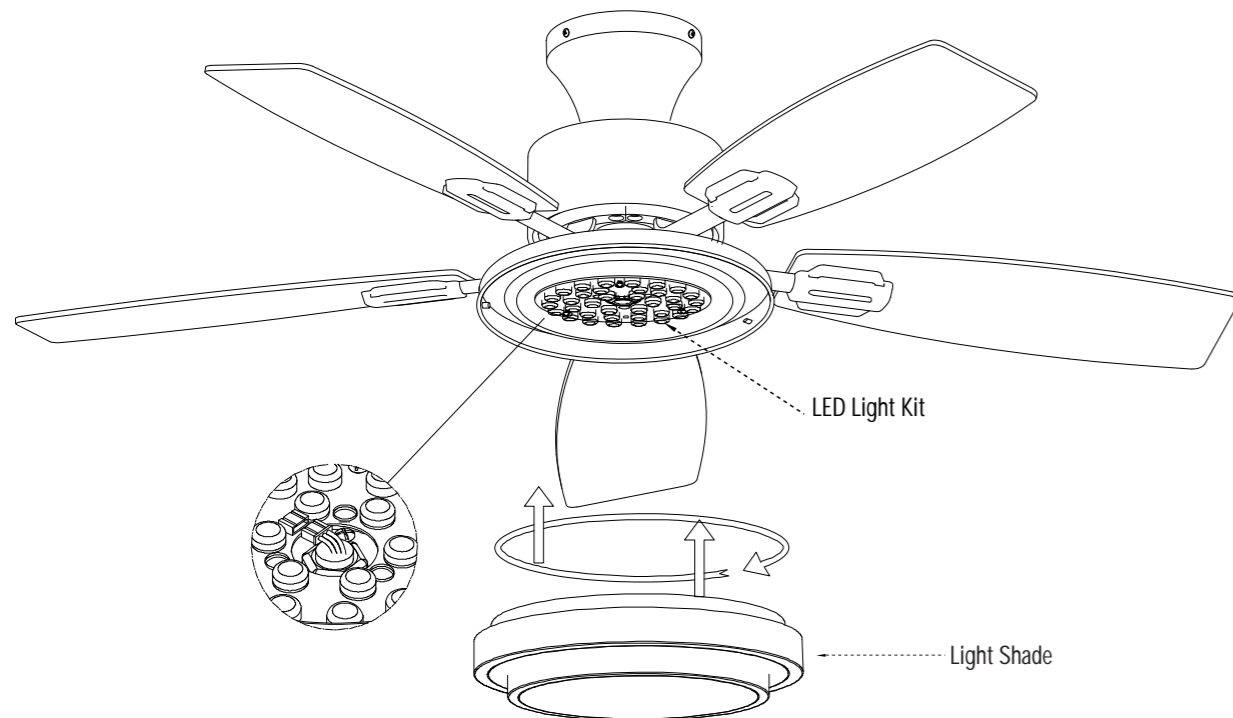
Step 2. Secure the Light Kit Mounting Plate onto the Fan Motor Assembly with screws taken off.



8. Install the Light and Light Shade

Step 1. Connect the wire terminal to the interface on the LED Light Kit.

Step 2. Rotate the Light Shade clockwise to secure it to the Light Kit Mounting Plate.

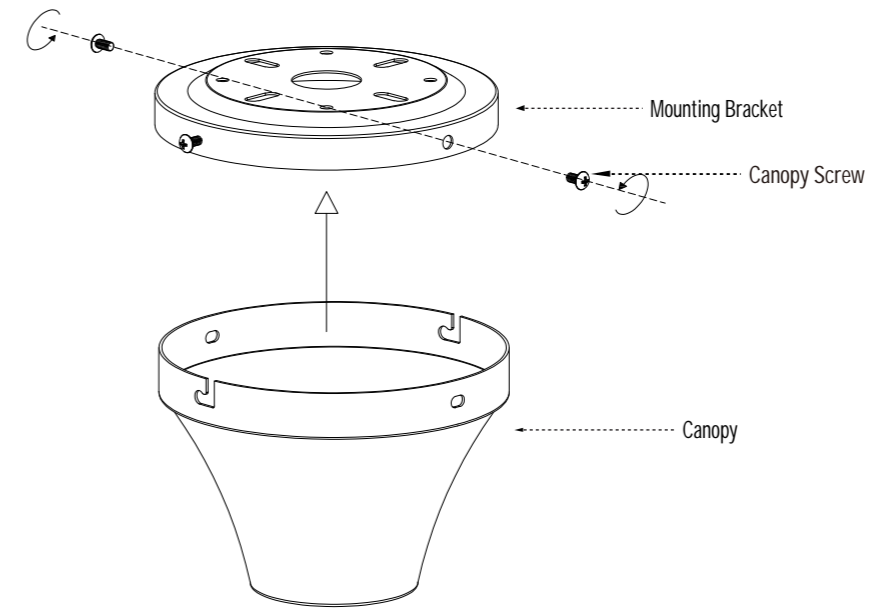


INSTALLATION

1. Remove the Mounting Bracket

Step 1. Loosen and remove the Canopy Screws from the round holes, and loosen the canopy screws in the 'L' holes but do not remove them.

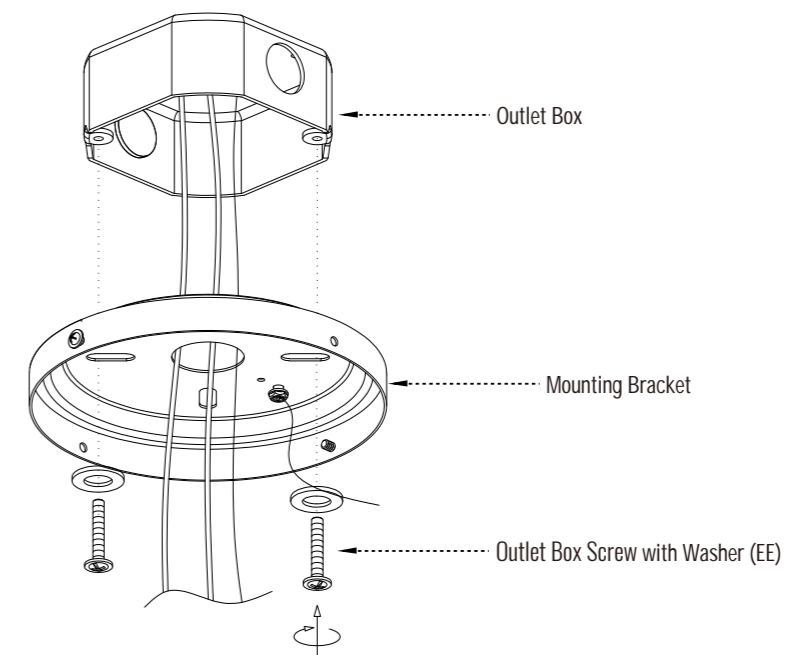
Step 2. Take out the Mounting Bracket from the canopy.



2. Install the Mounting Bracket

Step 1. Take off the screws from outlet box.

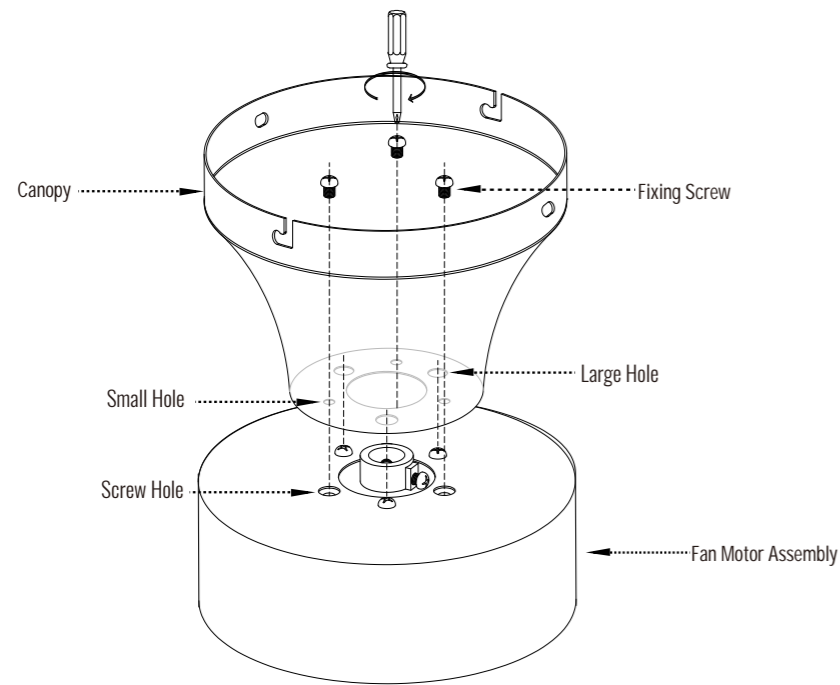
Step 2. Secure the Mounting Bracket onto the outlet box with screws taken off or Outlet Box Screw with Washer (EE) provided.



3. Assembling the Canopy

Step 1. Take off three Fixing Screws on the Fan Motor Assembly as shown in the diagram, then thread the Main Wire through the Canopy.

Step 2. Align the Small Holes on the Canopy with the Screw Holes on the Fan Motor Assembly (the other screws which were not taken off were threaded through the Large Holes on the Canopy), and secure the Canopy to the Fan Motor Assembly with Screws taken off.

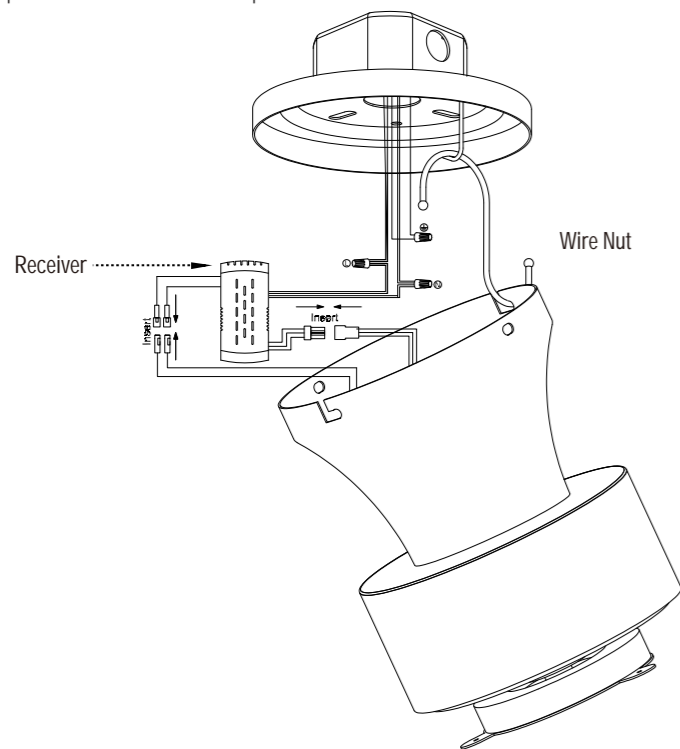


4. Wiring

Step 1. Hang the Fan Assembly onto the Mounting Bracket with "S" Hook (EE) provided.

Step 2. Connect the wires from the fixture to the house supply wires with wire nuts (AA), ground wire (green, green/yellow, or bare copper) to ground wire, neutral wire (white or blue) to neutral wire, and hot wire (black or brown) to the hot wire.

Step 3. Wrap the connection with electrical tape.



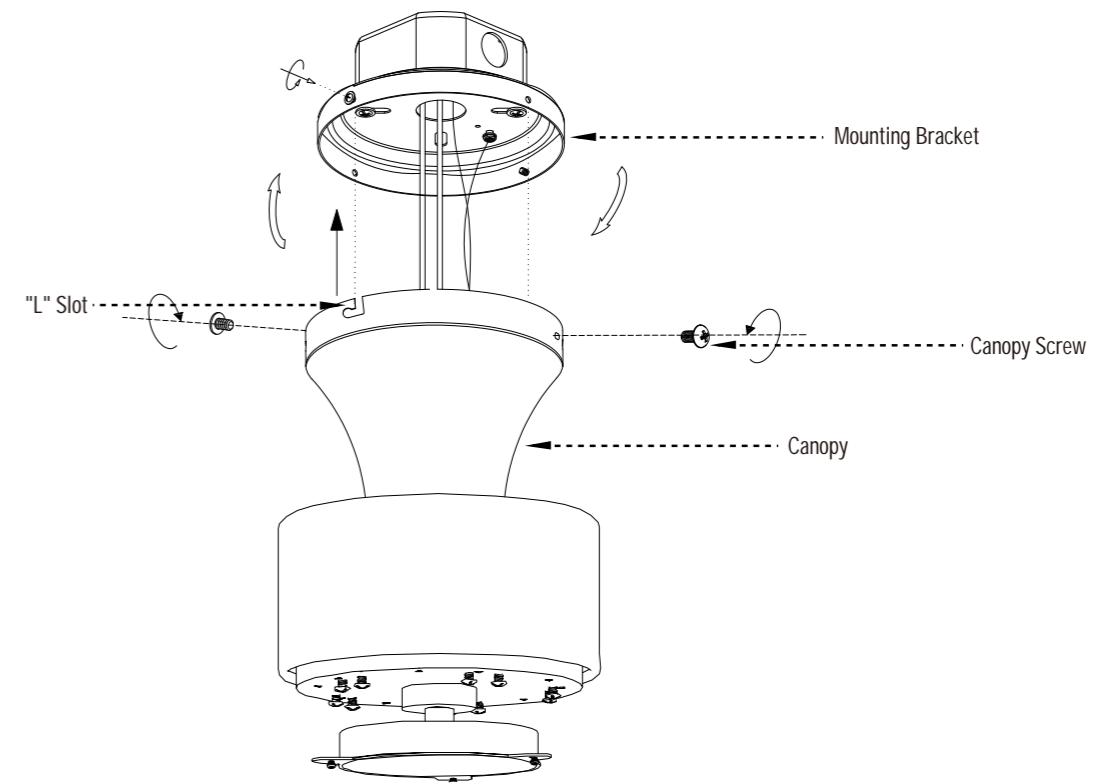
Note:

- ① This fan only needs one set of input wires (black, white, and ground wire). Both of the fan and lights will be controlled by the remote control.
- ② This fan can only be connected to an on/off switch if you have one, not a dimmer switch.

5. Hanging

Step 1. Align the "L" slots from the Canopy to the Canopy Screws on the Mounting Bracket, rotate the Canopy to lock it onto the Mounting Bracket.

Step 2. Tighten the Canopy Screws to secure the Fan Assembly.

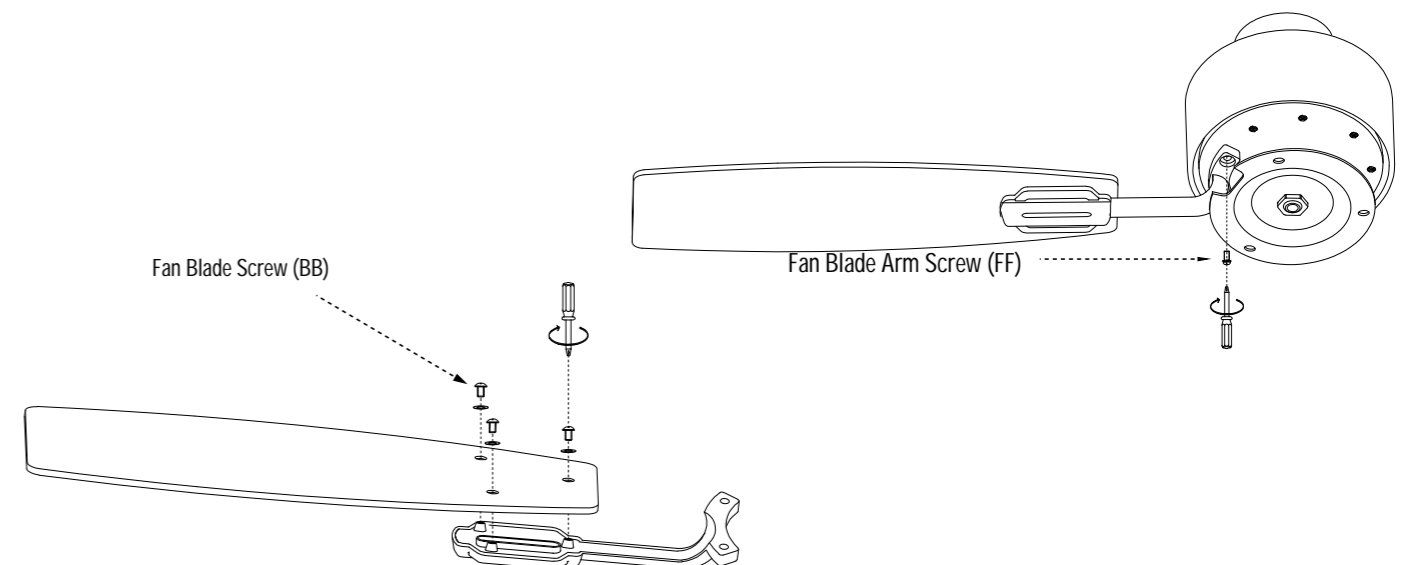


6. Installing the Fan Blade and Blade Arm

Step 1. Attach fan blade onto the blade arms with Fan Blade Screws with Washer (BB) provided.

Step 2. Take off Fan Blade Arm Screws (FF) from the Fan Motor Assembly.

Step 3. Attach the Fan Blade Arm onto the motor with the Fan Blade Arm Screws taken off.



Note:

- ① Make sure to assemble the blades in sequence and fasten the screws with equal force.