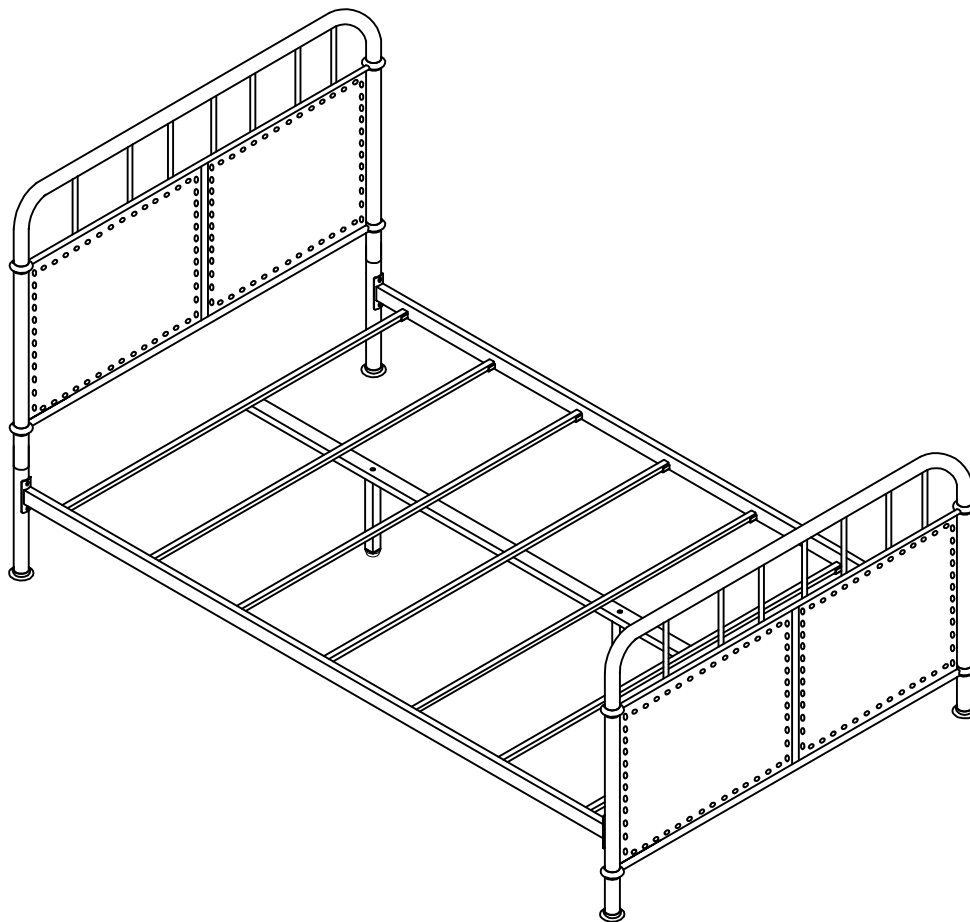


# ASSEMBLY INSTRUCTIONS

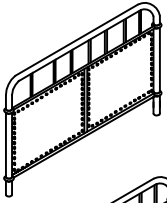
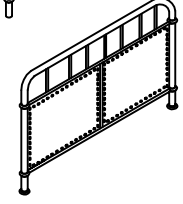
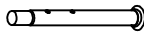
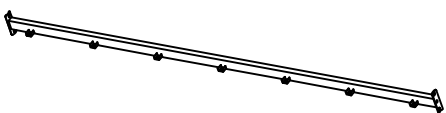


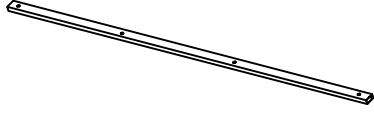

Style#BD7312/BD7313/BD7314



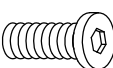
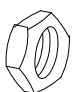
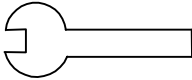

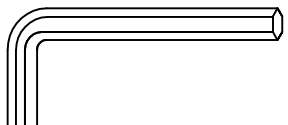
Metal Bed



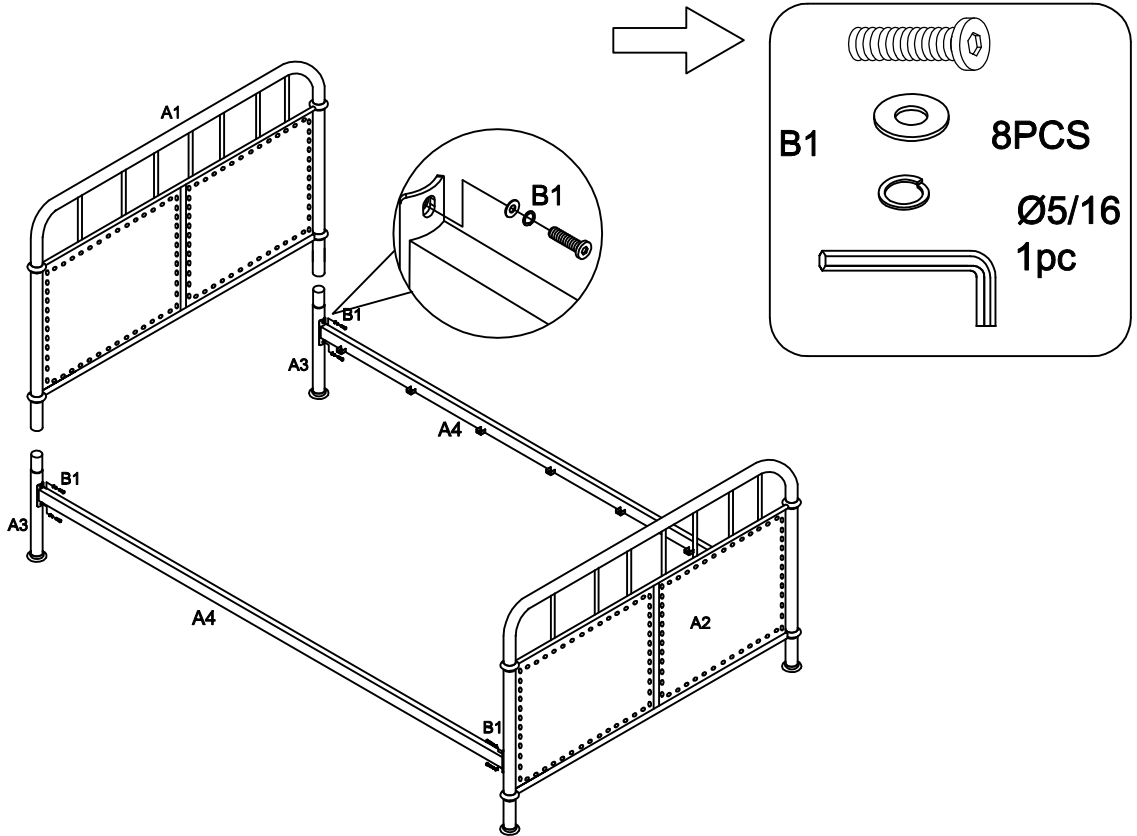
## **NOTE TO CUSTOMERS:**

- For ease and speed of assembly we recommend that before you commence each step of the assembly that you identify all the parts required to complete that step.
- We recommend that where possible you allow sufficient space to assemble the item as close as possible to the place where it will be once assembled.
- For the protection of your furniture we recommend that the product is placed on protected surfaces during assembly to prevent any damage.
- During assembly do not over tighten, as this may damage the product.
- Please ensure you retain all the product packaging until the item completely assembled.
- Please periodically check all fittings and re-tighten as necessary.
- It is recommended that this item should be assembled by two adults.

A1		HEADBOARD	1PC
A2		FOOTBOARD	1PC
A3		LEG	2PCS
A4		RAIL	2PCS
A5		SLAT	2PCS
A6		SLAT	5PCS
A7		SUPPORT RAIL	1PC
A8		SUPPORT LEG	2PCS

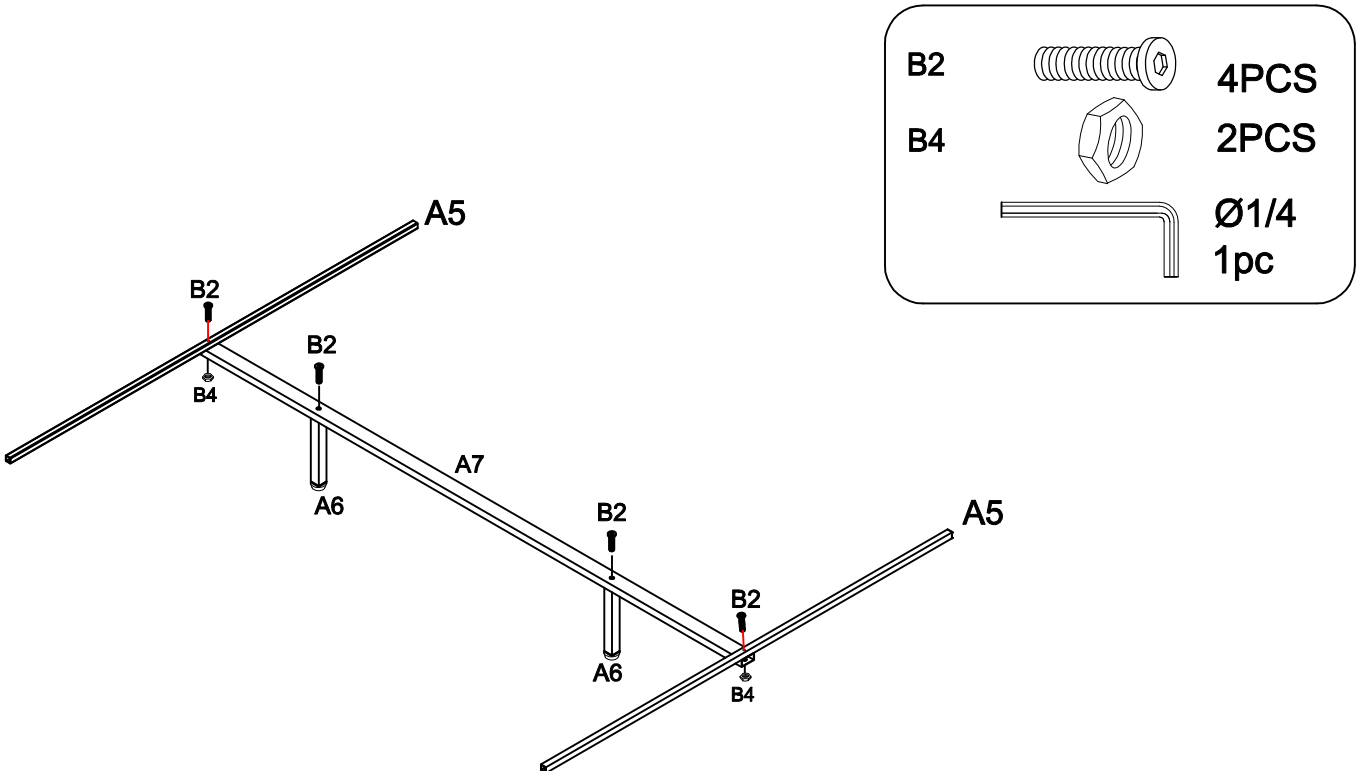
B1		BOLT(Ø5/16*1")&WASHER	8PCS
B2		BOLT(Ø1/4*1-3/4")&WASHER	4PCS
B3		BOLT(Ø1/4*1/2")	14PCS
B4		NUT	2PCS
		Open Spanner	1PC
		ALLEN WRENCH(Ø1/4")	1PC
		ALLEN WRENCH(Ø5/16")	1PC

## Step: 1

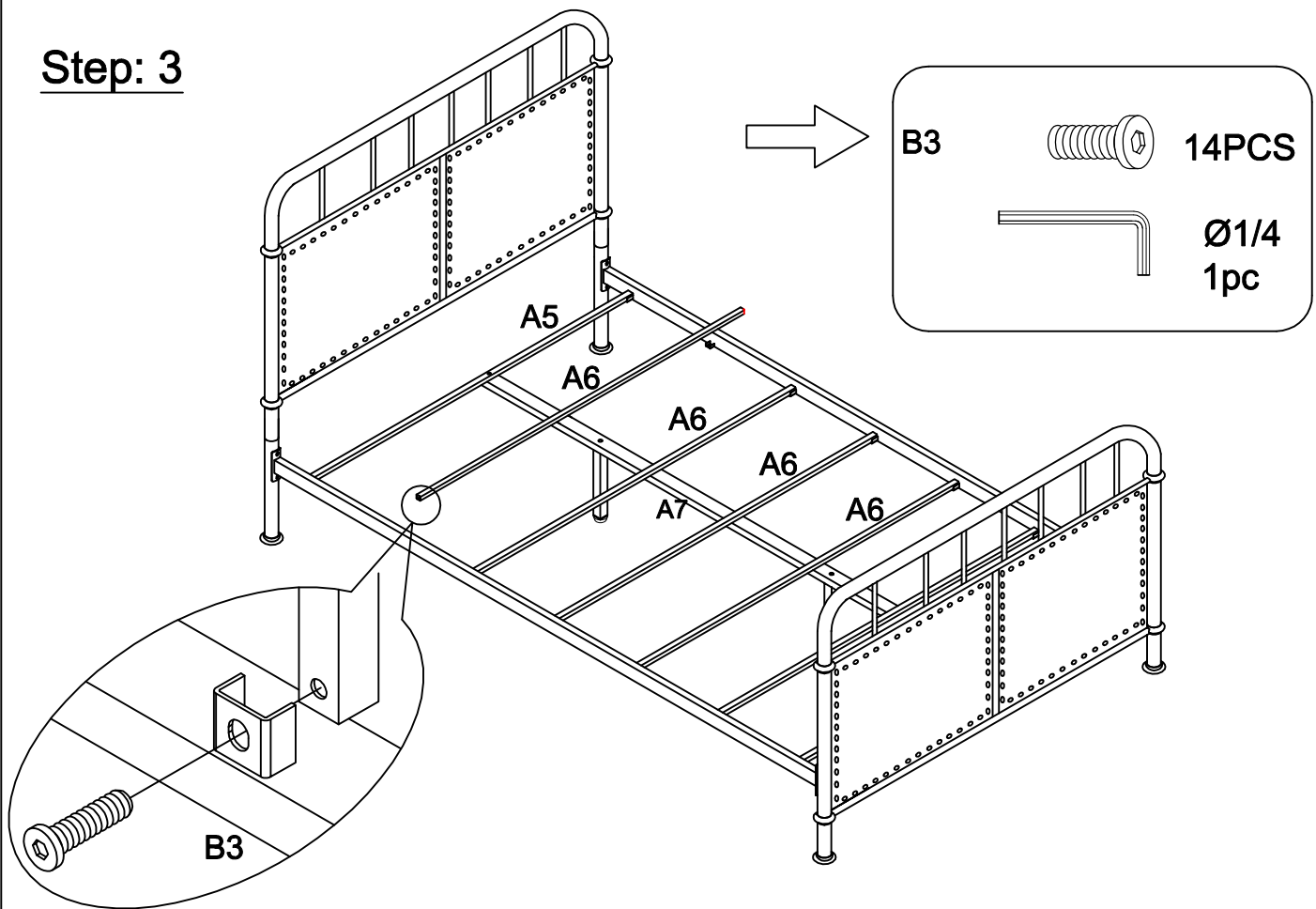


DO NOT TIGHTEN BOLTS UNTIL STEP 4

## Step: 2

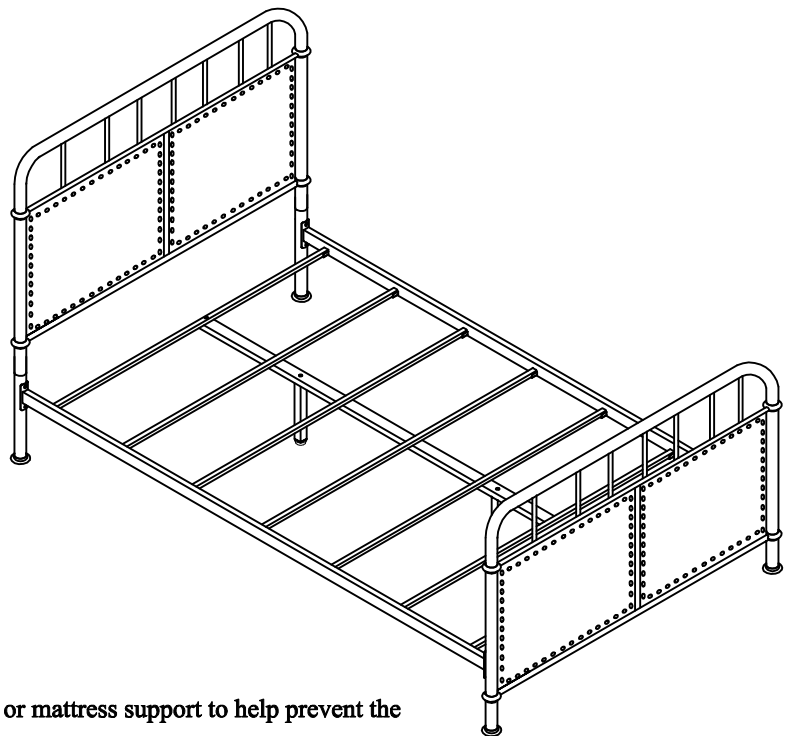


### Step: 3



**DO NOT TIGHTEN BOLTS UNTIL STEP 4**

### Step: 4



### **Warning:**

- 1). Always use the recommended size of mattress or mattress support to help prevent the likelihood of entrapment or falls.
- 2). For your safety do not jump on the bed.
- 3). The use of water or sleep flotation mattress on the bed is not recommended.
- 4). The weight load on the bed should never exceed 800lbs. Exceeding this weight limit may cause the bed to collapse, resulting in serious personal injury and property damage.

**PLEASE TIGHTEN ALL BOLTS AT THIS POINT.**