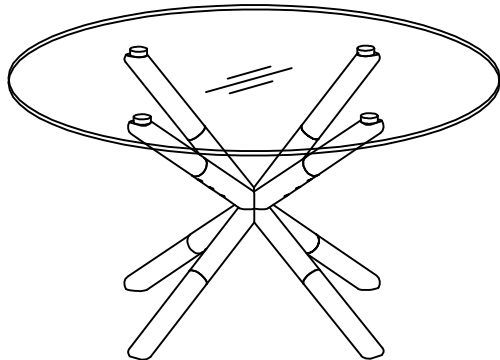


ASSEMBLY INSTRUCTIONS

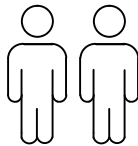
ROUND ACRYLIC DINING TABLE



+ Do Not Use PowerTools



+ Suggested Adults



NOTE:

- 1 Read instructions cover to cover.
- 2 Save all packaging until assembly is completed.

1 IMPORTANT SAFETY INFORMATION

Do not assemble the product if any of the following parts arrived damaged:

Part # -Table Top

Tempered Glass Warning: Should the tempered glass chip at ANY point throughout ownership, please immediately discontinue use of the table to avoid injury.

CAUTION : DO NOT place hot objects (100°F or more) directly on the glass surface.

2 IMPORTANT ASSEMBLY INFORMATION

Assembly Step Use Bolt A and Bolt B to connect Part 1 to Part 4.

+ Parts Included

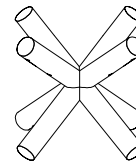
- ① Lower Leg
4PCS



- ② Upper Leg
4PCS



- ③ Connecting Rail
1PC



- ④ Glass Top
1PC



+ Hardware Included

- A Bolt(1/4"*1/2")
16 PCS



- B Bolt(1/4"*1-1/2")
4 PCS



- C Flat Washer(1/4")
20 PCS



- D Hex nut(1/4")
4 PCS



- E Allen wrench(4mm)
1 PC



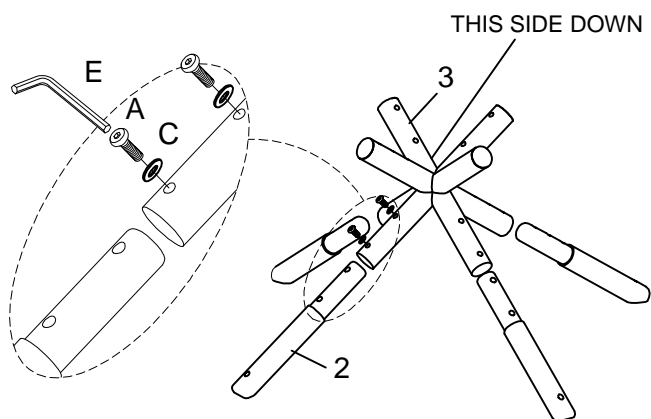
- F Socketspanner(10#)
1 PC



ASSEMBLY INSTRUCTIONS

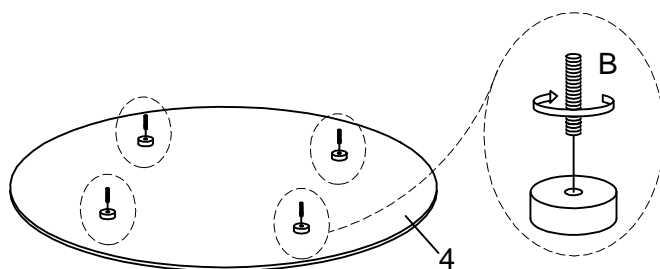
ROUND ACRYLIC DINING TABLE

①



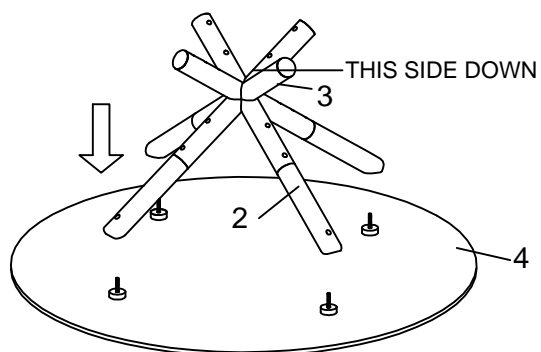
Note: Align the bolts with holes then tighten them at Step 5.

②



Note: At this stage, tighten all Bolts.

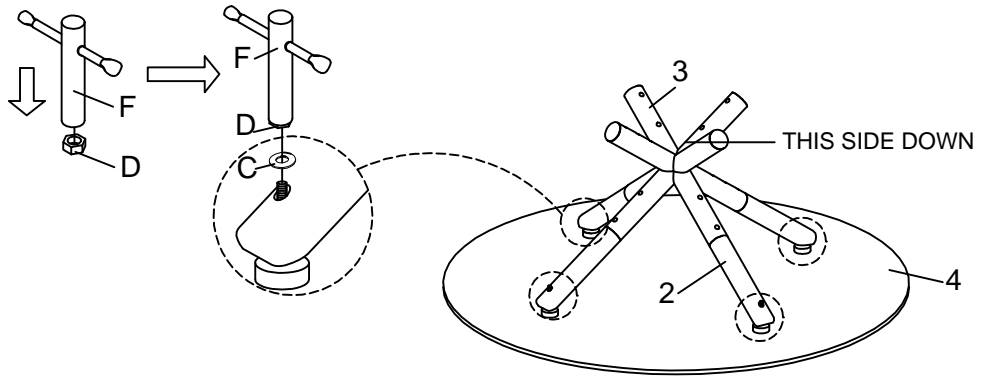
③



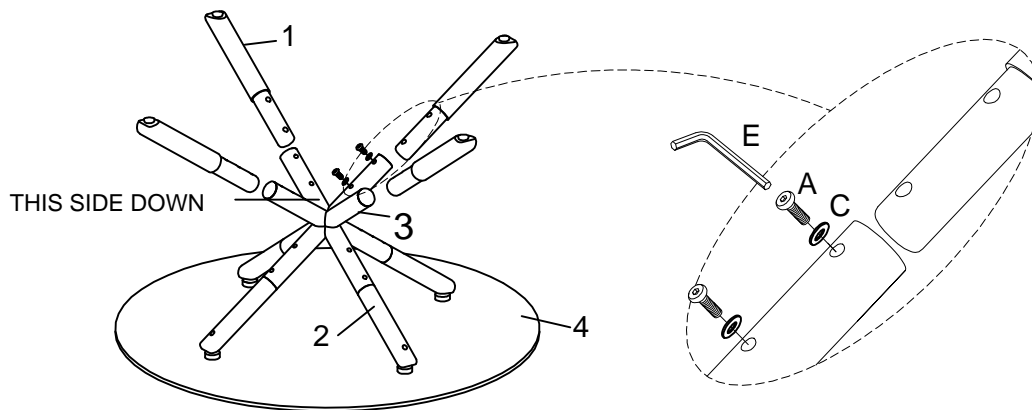
ASSEMBLY INSTRUCTIONS

ROUND ACRYLIC DINING TABLE

④



⑤



Note: At this stage, pls firstly tighten the screws at this step, then fully tighten all screws.

⑥

