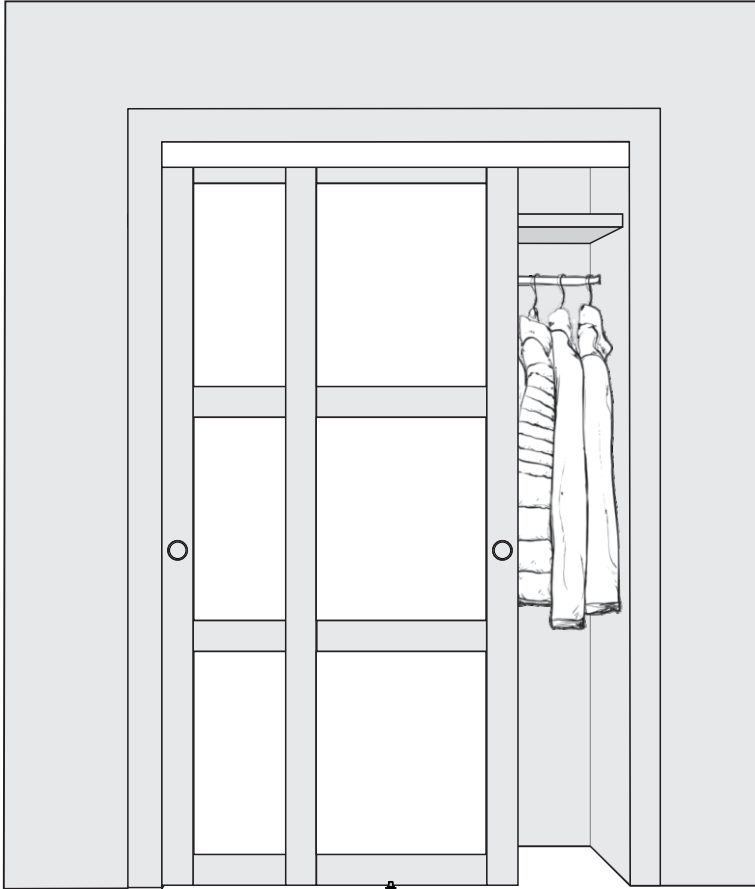


# Installation Manual



**For product assistance and warranty information, please contact us before return this product.**

**Customer Service:** [yoursupport@163.com](mailto:yoursupport@163.com)

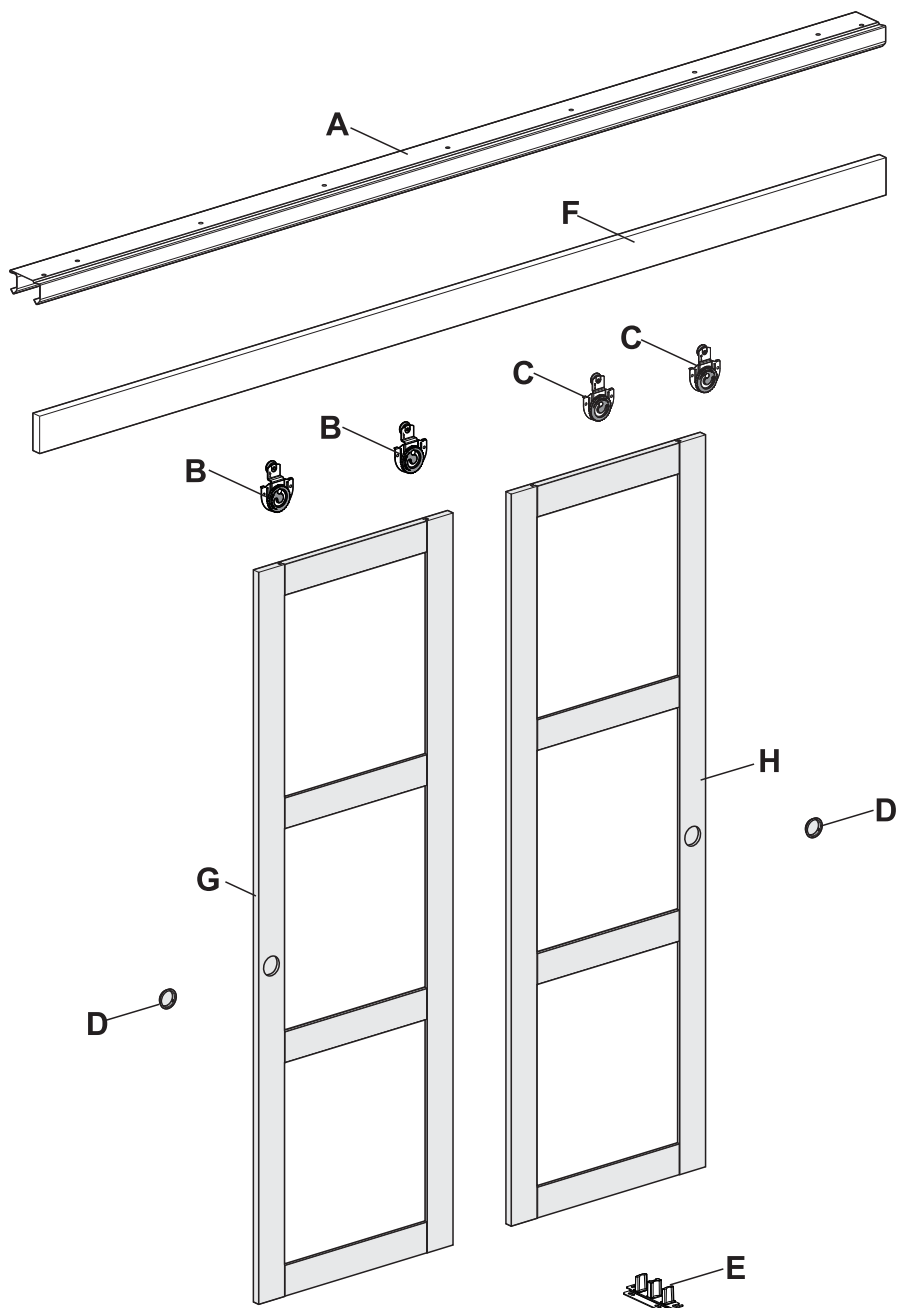
Please provide us with following information, so that it will be easier to resolve your problem smoothly.

**1. Order ID:**

**2. Pictures of Your Items Damage or Parts Missing:**

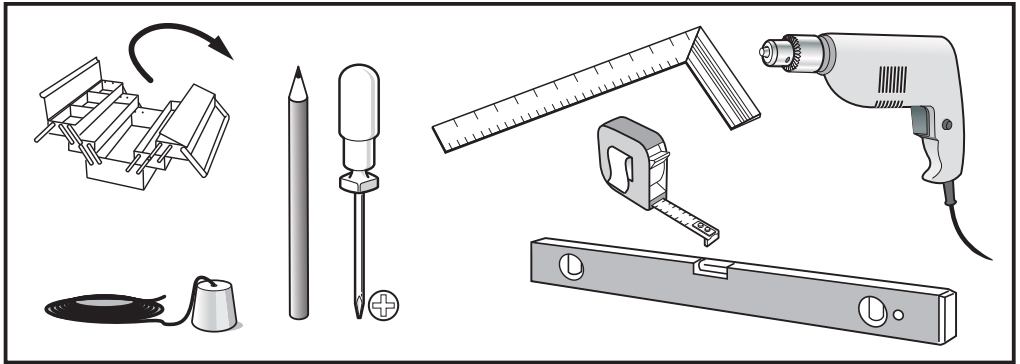
**3. Pictures of all the labels on the package.**

# Components list

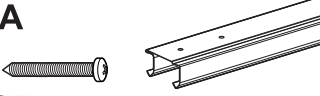
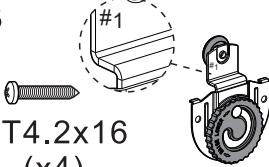
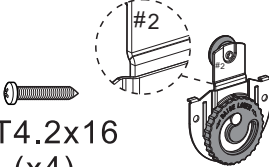

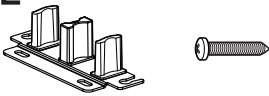
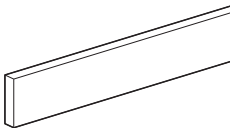


# Pre-installation

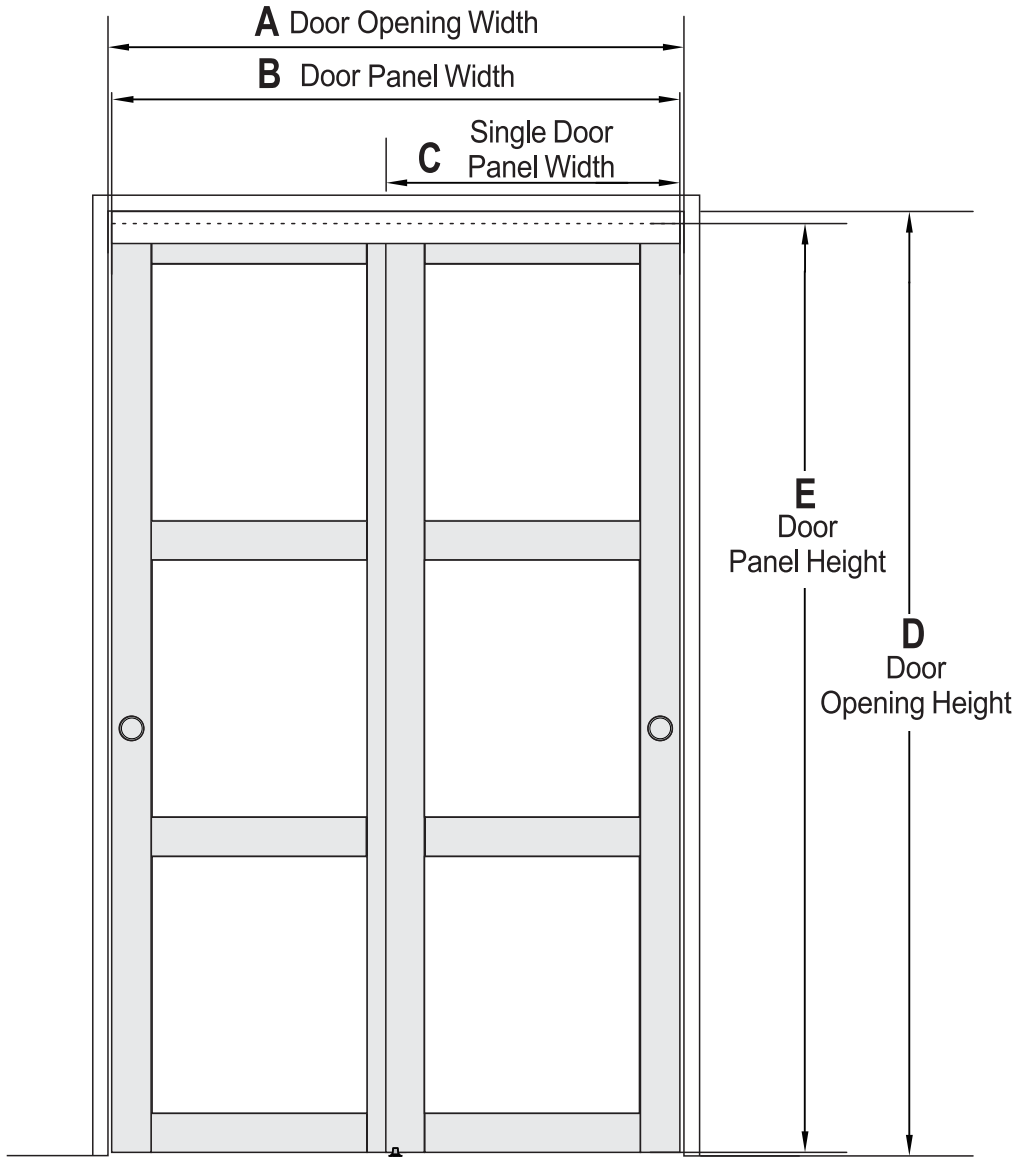
## TOOLS REQUIRED



## HARDWARE INCLUDED

<p><b>A</b></p>  <p>ST4.2x38 (x1)</p>	<p><b>B</b></p>  <p>ST4.2x16 (x4) (x2)</p>	<p><b>C</b></p>  <p>ST4.2x16 (x4) (x2)</p>												
<table border="1"> <thead> <tr> <th>Screw Quantity</th> <th>Track Length</th> </tr> </thead> <tbody> <tr> <td>(x9)</td> <td>48in</td> </tr> <tr> <td>(x10)</td> <td>56in</td> </tr> <tr> <td>(x11)</td> <td>60in</td> </tr> <tr> <td>(x11)</td> <td>64in</td> </tr> <tr> <td>(x13)</td> <td>72in</td> </tr> </tbody> </table>	Screw Quantity	Track Length	(x9)	48in	(x10)	56in	(x11)	60in	(x11)	64in	(x13)	72in	<p><b>D</b></p>  <p>(x2)</p>	<p><b>E</b></p>  <p>(x1) ST4.2x16 (x2)</p>
Screw Quantity	Track Length													
(x9)	48in													
(x10)	56in													
(x11)	60in													
(x11)	64in													
(x13)	72in													
<p><b>F</b></p>  <p>(x1)</p>														

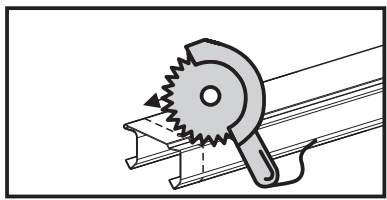
# Pre-installation



# Pre-installation

Option Size		48in * 78 <sup>3</sup> / <sub>4</sub> in	56in * 78 <sup>3</sup> / <sub>4</sub> in	60in * 78 <sup>3</sup> / <sub>4</sub> in	64in * 78 <sup>3</sup> / <sub>4</sub> in	72in * 78 <sup>3</sup> / <sub>4</sub> in
A	Door Opening Width	46in - 48in	54in - 56in	58in - 60in	62in - 64in	70in - 72in
B	Door Panel Width	48in	56in	60in	64in	72in
C	Single Door Panel Width	25in	29in	31in	33in	37in
D	Door Opening Height	80 <sup>5</sup> / <sub>8</sub> in ± 1/8in	80 <sup>5</sup> / <sub>8</sub> in ± 1/8in	80 <sup>5</sup> / <sub>8</sub> in ± 1/8in	80 <sup>5</sup> / <sub>8</sub> in ± 1/8in	80 <sup>5</sup> / <sub>8</sub> in ± 1/8in
E	Door Panel Height	78 <sup>3</sup> / <sub>4</sub> in	78 <sup>3</sup> / <sub>4</sub> in	78 <sup>3</sup> / <sub>4</sub> in	78 <sup>3</sup> / <sub>4</sub> in	78 <sup>3</sup> / <sub>4</sub> in

⚠ If the track is too long, you can cut it short.

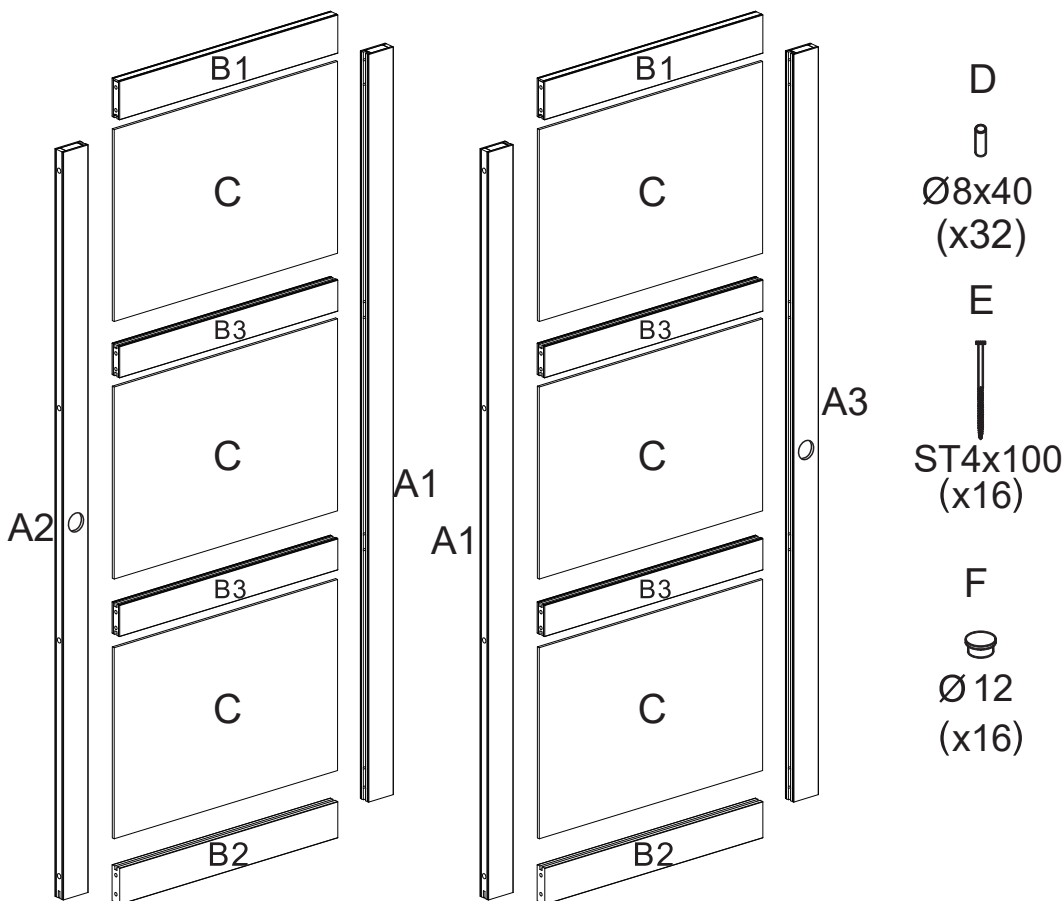


# Door panel installation

## Notice:

Some door panels of specific sizes come pre-installed. If your door arrives already assembled, skip the installation steps for the door panel.

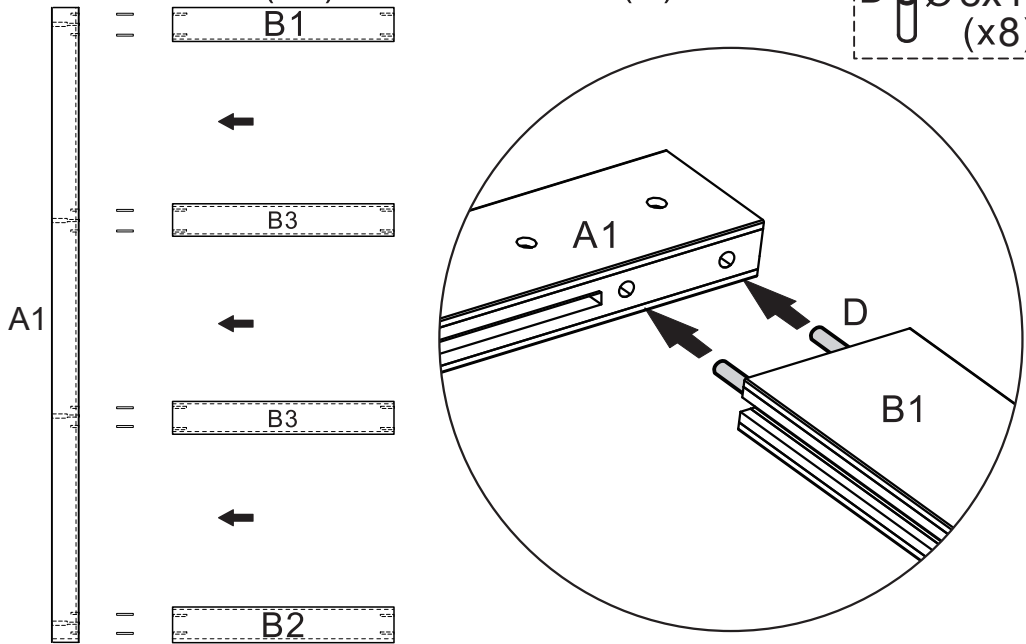
PARTS	QTY	PARTS	QTY
A1 Door Stile 1	2	B3 Middle Rail	4
A2 Door Stile 2	1	C Middle Panel	6
A3 Door Stile 3	1	D Corks	32
B1 Top Rail	2	E Screws	16
B2 Bottom Rail	2	F Plastic Plugs	16



# Step-1

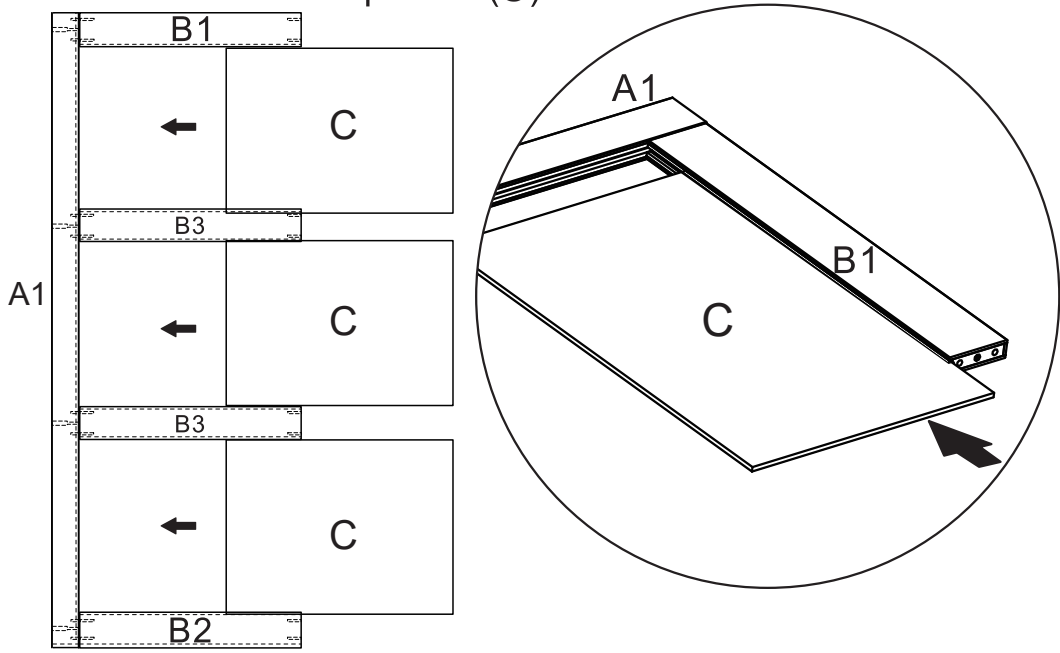
On the flat, lay out one side stile (A1) with the groove facing to the right. Assemble top rail (B1), middle rail (B3) and bottom rail (B2) to A1 with corks (D).

D  $\varnothing 8 \times 40$   
(x8)



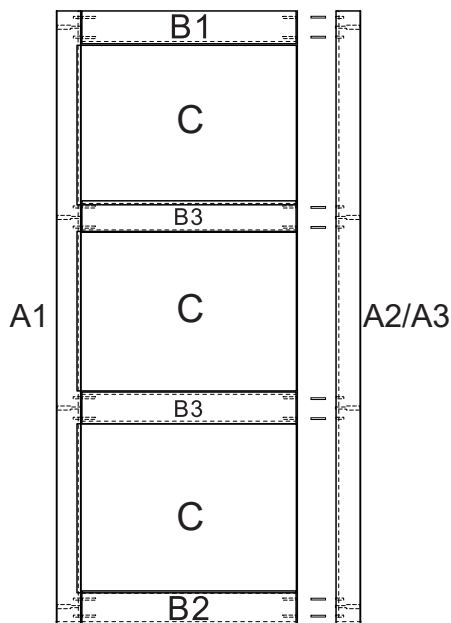
# Step-2

Assemble the middle panels (C).

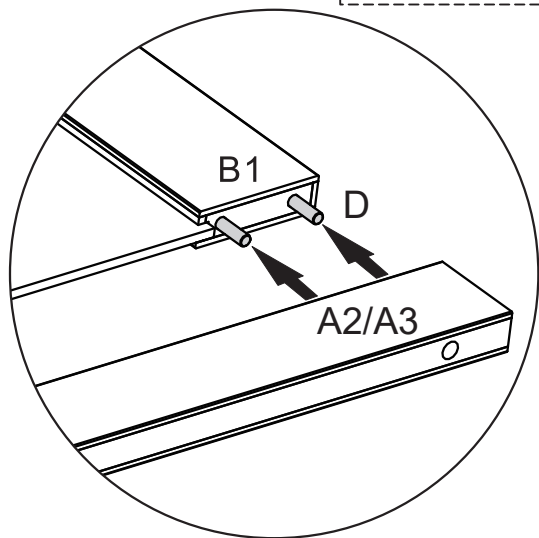


### Step-3

Assemble the right side stile (A2/A3) with corks (D) to cover the top and bottom rail and the edge of the slats assembled.



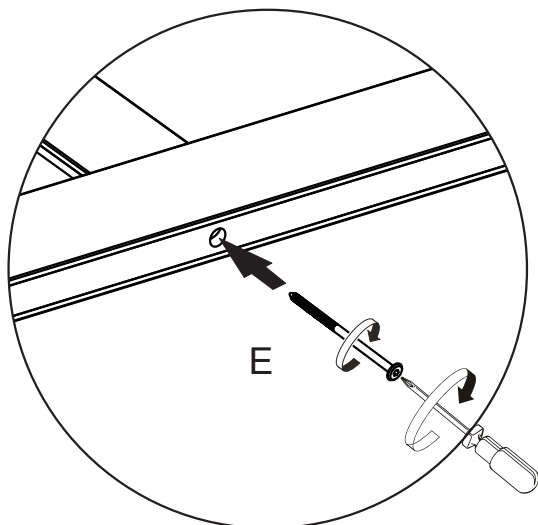
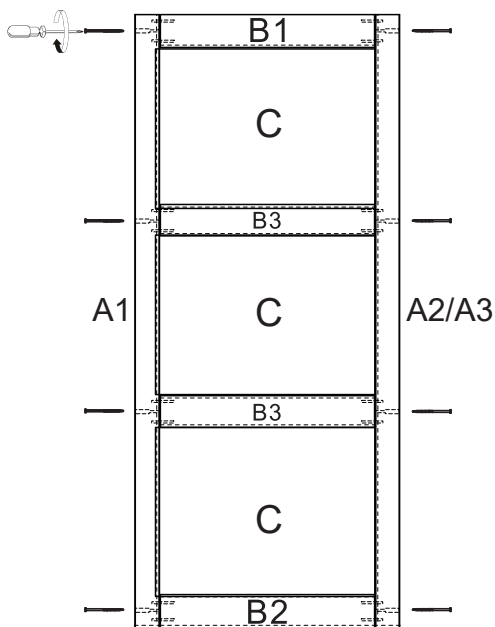
D  $\varnothing$  8x40  
(x8)



### Step-4


Lock screws (E) to side stile (A1 and A2/A3).

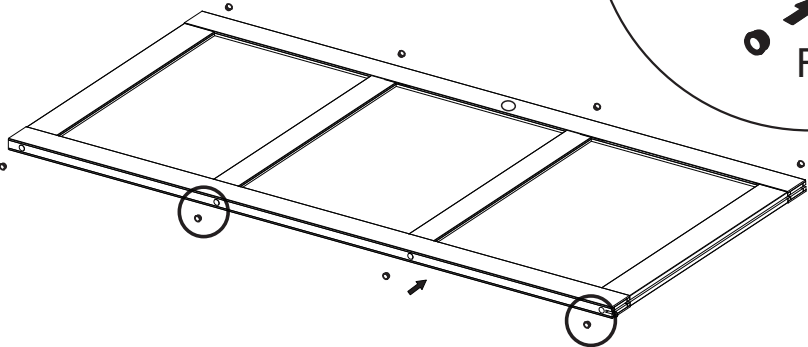
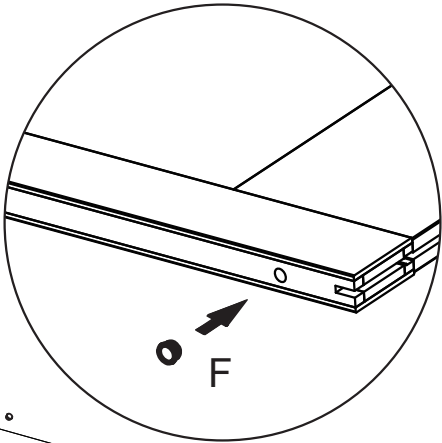
E  $\overline{\hspace{2cm}}$   
ST4x100  
(x8)



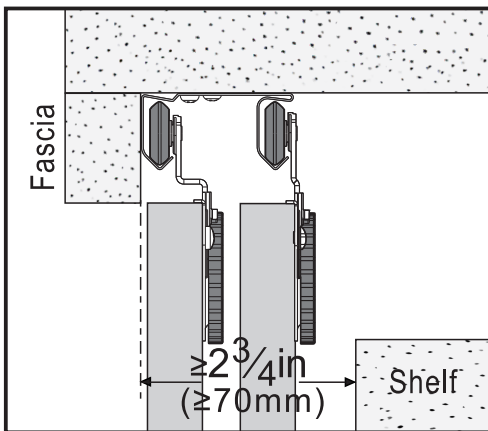
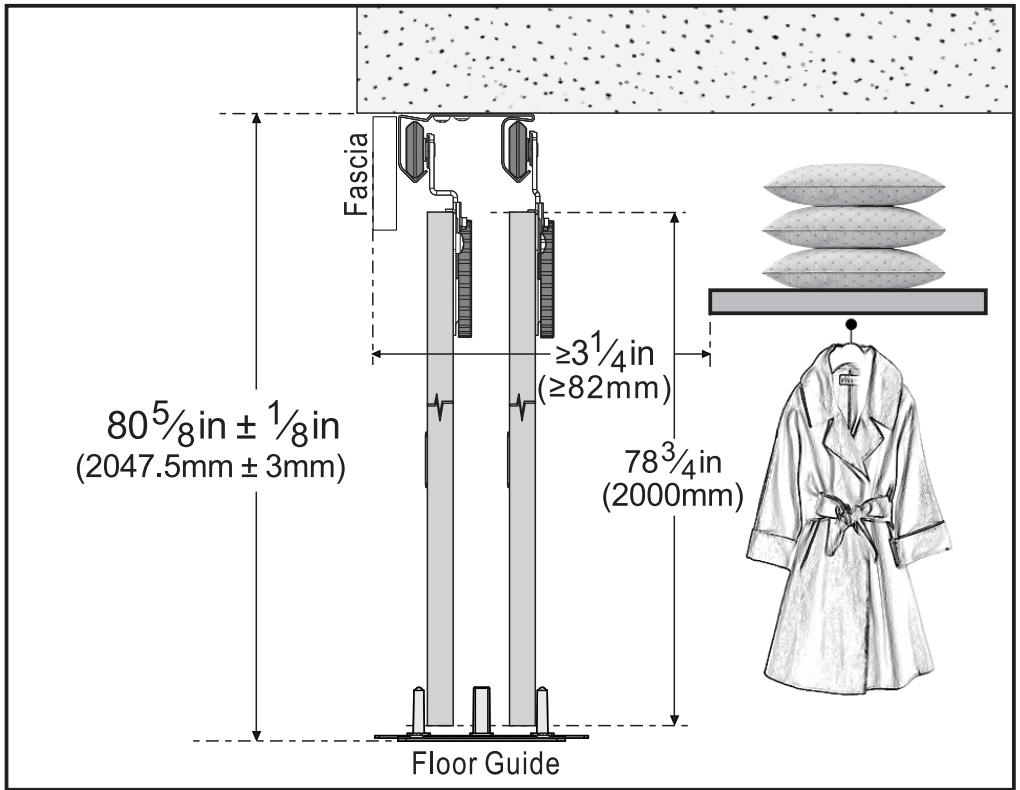
# Step-5

Cover the plastic plugs (F).

F   
Ø12  
(x8)

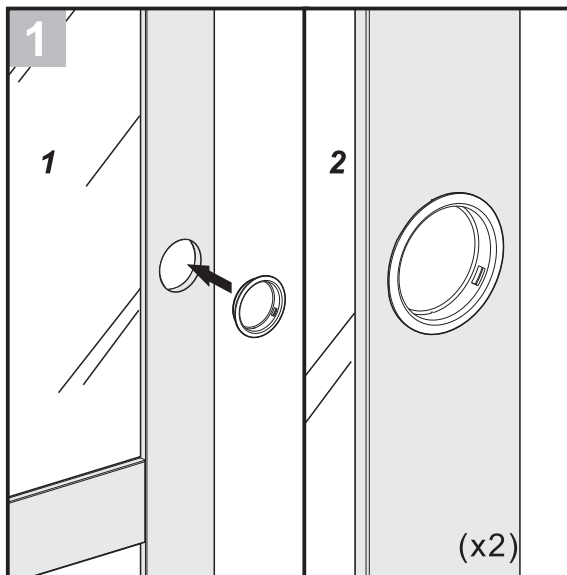


# Hardware installation



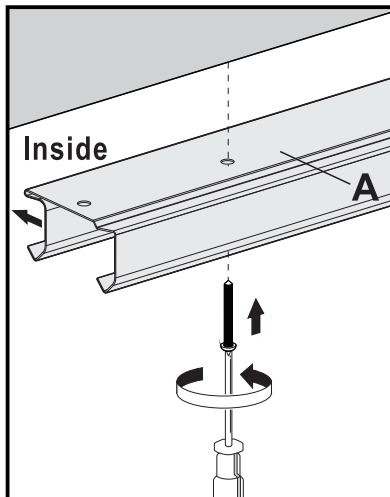
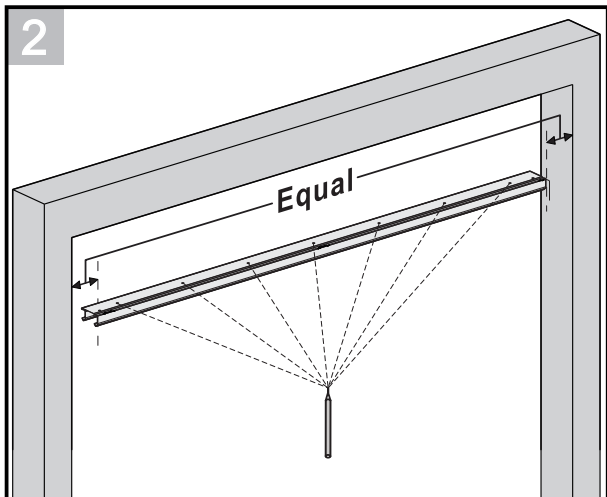
If there is a fascia in the wardrobe, the track can be installed directly next to the existing fascia.

# Hardware installation



## INSTALLATION OF DOOR PULLS

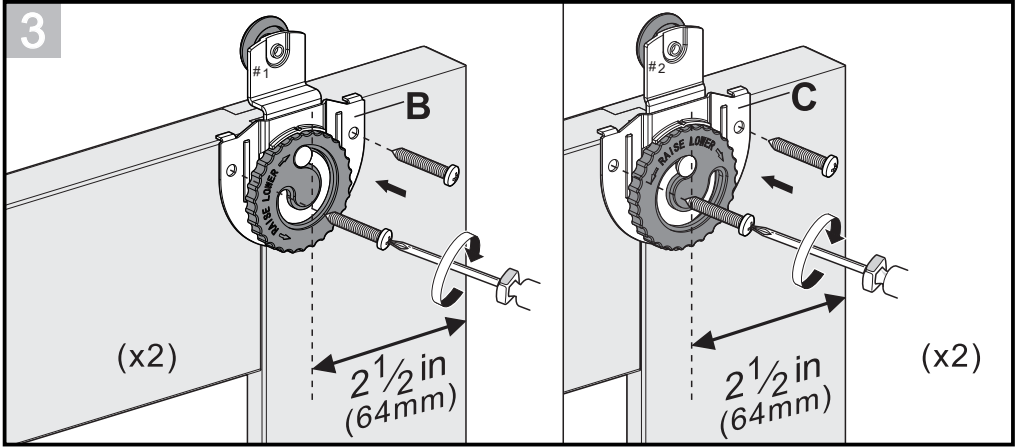
Insert door pull into each hole.



## INSTALL TRACK

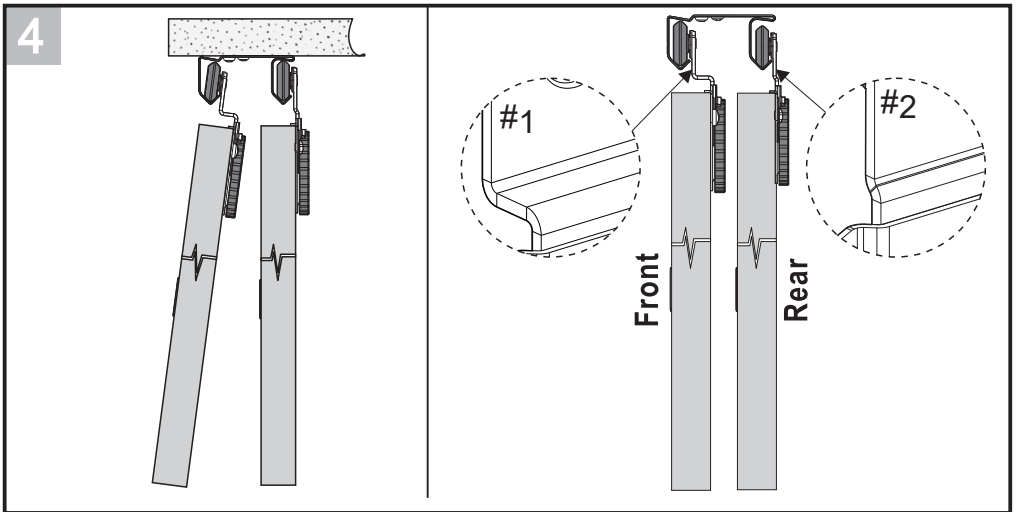
Place track on door header, centered between both door jambs. Make sure track openings are facing inside of closet. With track as template, mark location of screw holes. Drill  $3/32$  in pilot holes to approximate screw length. Using supplied #8 x 1-1/2 in screws, securely attach track to header.

# Hardware installation



## ATTACH DOOR HANGERS

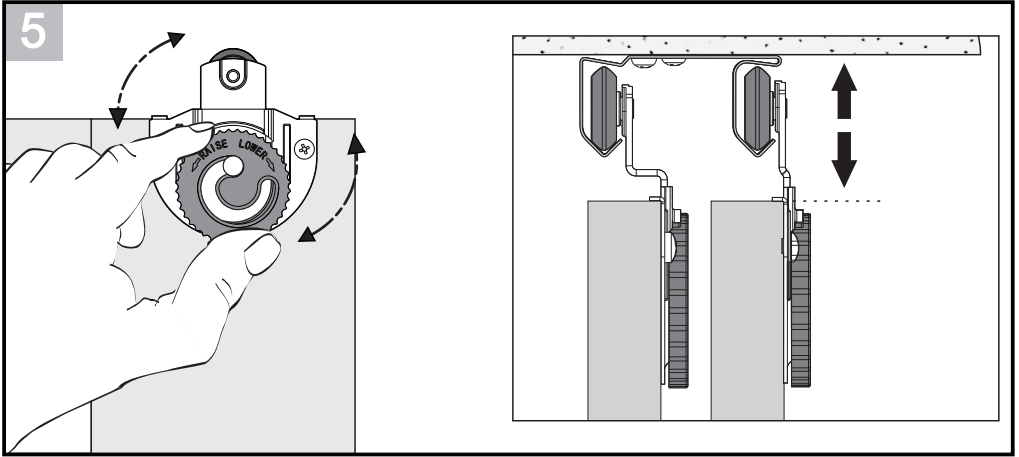
Fasten hangers to top/back of door panel, using supplied #8 x 5/8 in screws. Dial adjust hangers must be 2-1/2 in from edge of door. Using hanger as template, mark screw hole locations. Drill a 3/32 in pilot hole to approximate screw length. Securely attach hangers with supplied screws.



## INSTALL DOORS

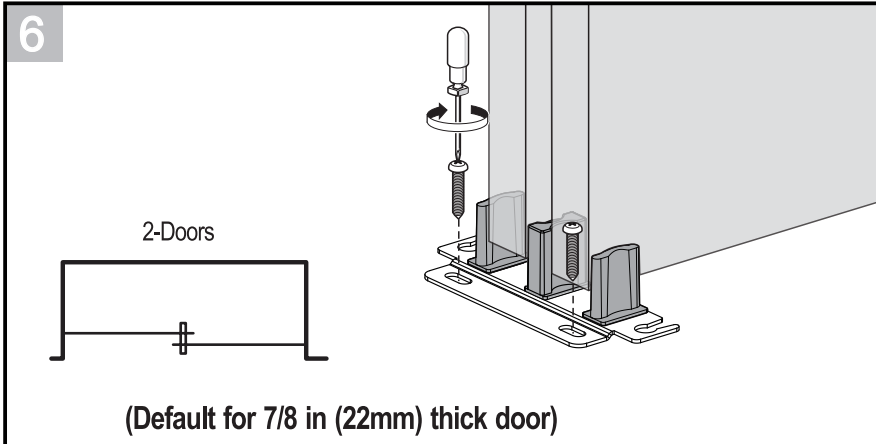
Hang doors on track. Start with inside (or rear) door first. Door must be positioned at an angle of approximately 15 degrees to engage track. Doors require the installation of panel with #2 hanger first.

# Hardware installation



## DOOR ADJUSTMENT/DIAL ADJUST

Align doors with frame by lifting one side of door, removing weight from hanger. Turn dial until doors are vertically aligned with frame. Release door so that it returns to original position.



## INSTALL DOOR GUIDE

Insert nylon post section into metal plate of door guide, according to thickness of door. Position the guide beneath overlap of doors, as shown. Using supplied #8 x 5/8 in screws, securely fasten guide to floor.

### NOTE:

To elevate guide, use a carpet riser as needed.

# Hardware installation

