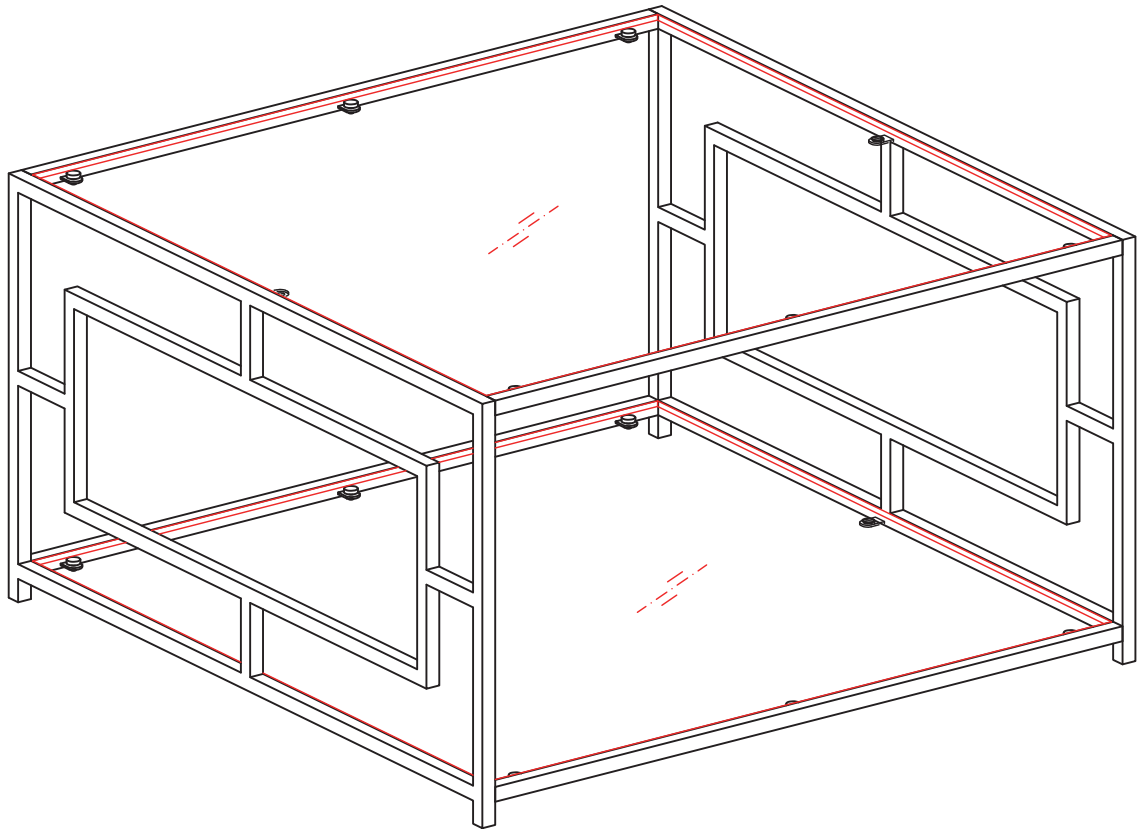


# SQUARE GLASS COFFEE TABLE



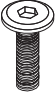



## ASSEMBLY INSTRUCTIONS

---

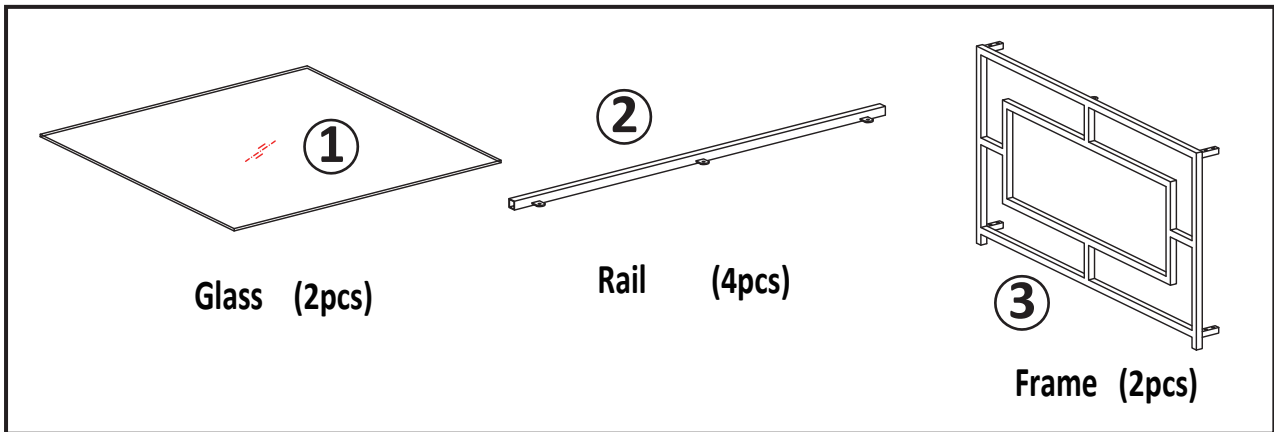
We have designed our furniture with you , the customer in mind . Our clear , easy to follow , step by step instructions will guide you through the project from start to finish .  
Feel confident that this will be a fun and rewarding project . The final product will be a quality piece of furniture that will go together smoothly and give years of enjoyment .

---

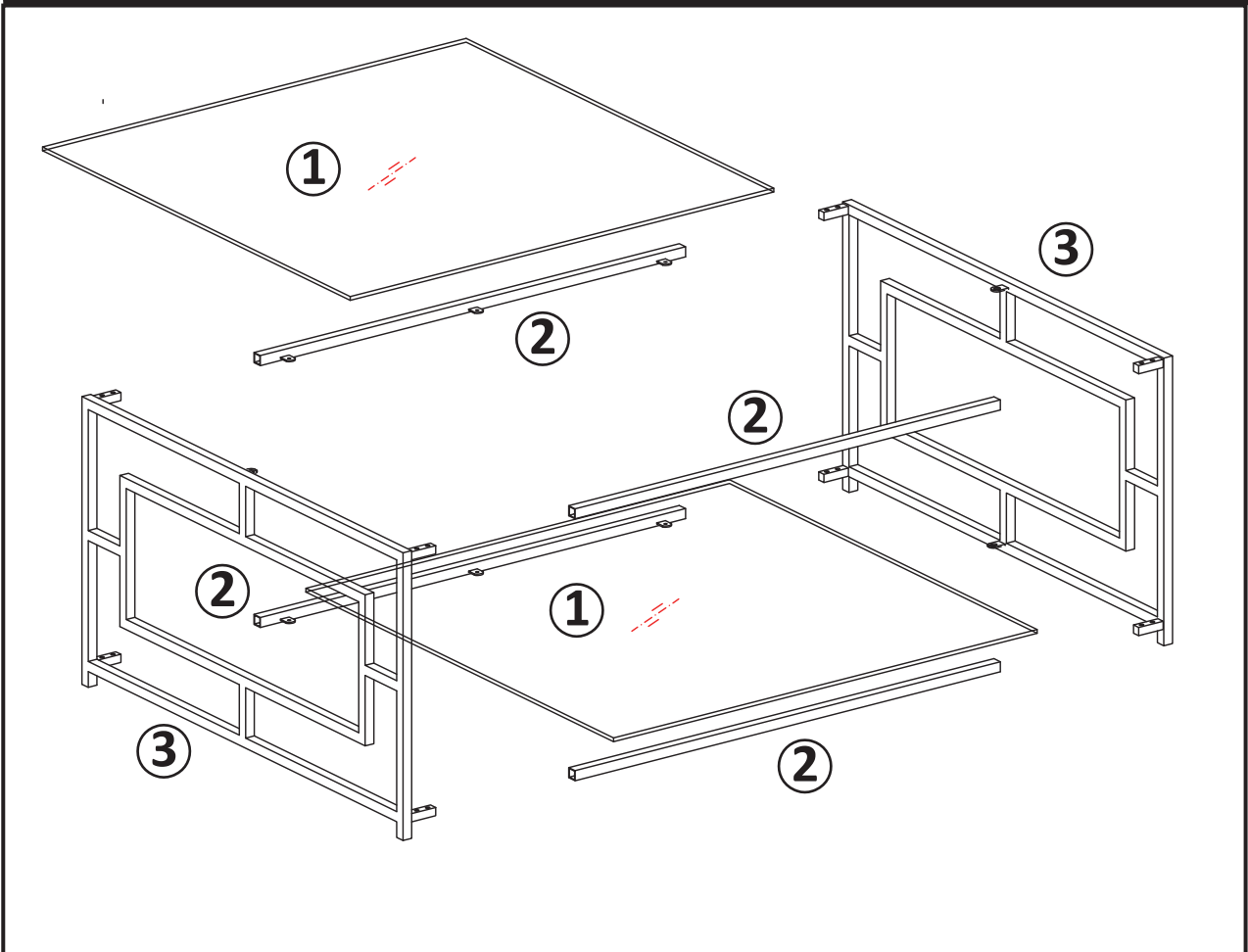
## Hardware List

<b>A</b> 	<b>B</b> 	<b>C</b> 	<b>D</b> 
Screw (16pcs)	Allen Wrench (1pc)	Non-slip disk (16pcs)	Polishing cloth (1pc)

## Panel List



## Exploded Views

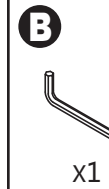
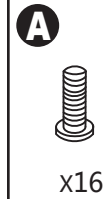
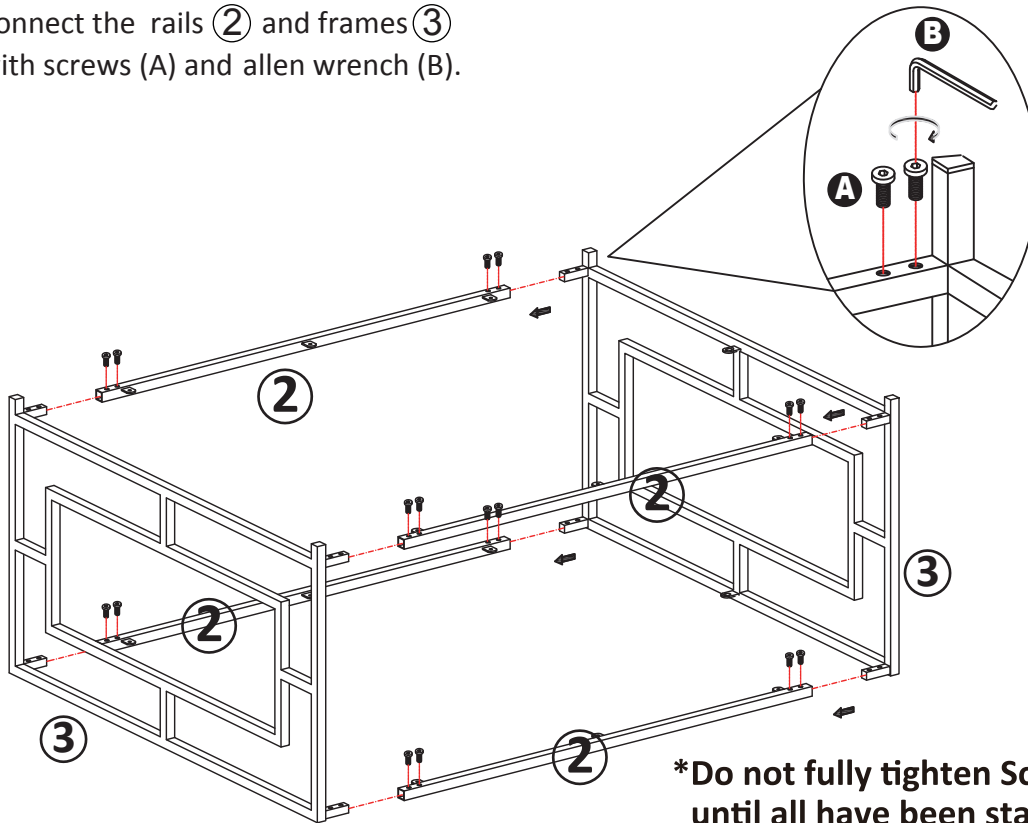


**\*Please count and verify all parts before assembly .\***

## Step 1

\*Assemble unit on carpet or flat surface.

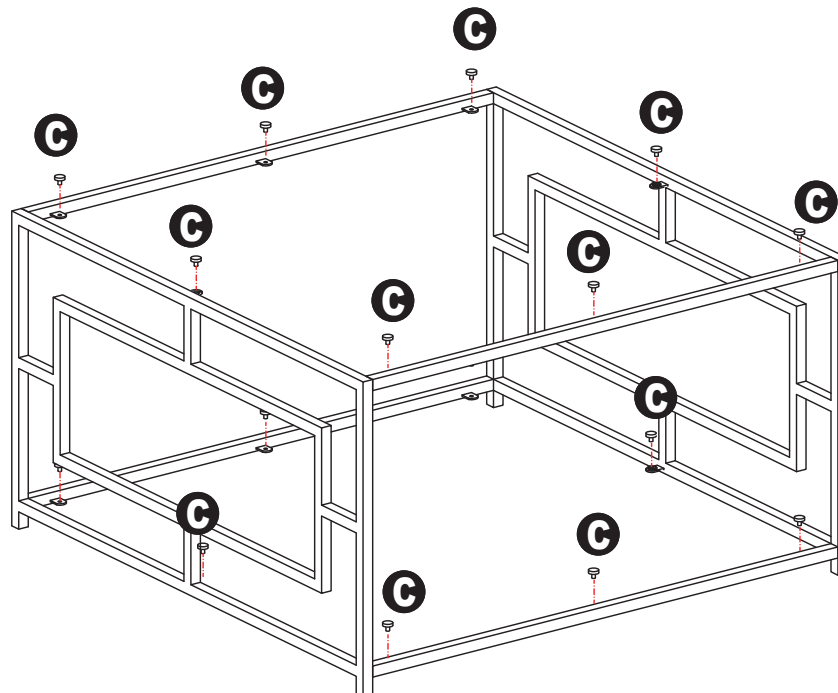
1. Connect the rails (2) and frames (3) with screws (A) and allen wrench (B).



\*Do not fully tighten Screws(A) until all have been started.

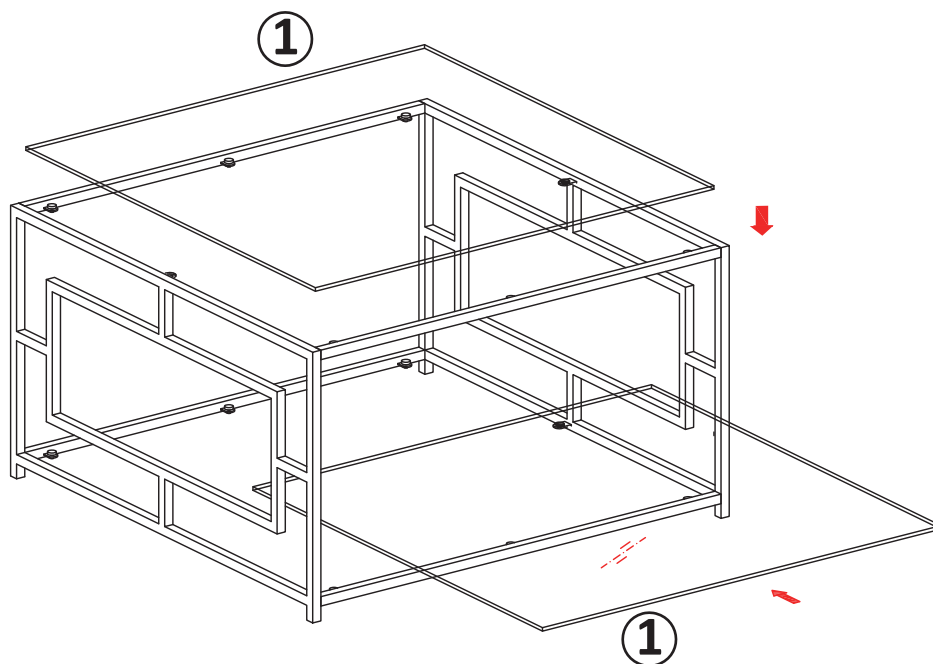
## Step 2

1. Place non-slip disks (C) into assembly as shown to support glass shelf.



### Step 3

1. Retighten all screws.
2. Using a slight angle, carefully insert glass panels ① into unit.



### Step 4

1. Enjoy!

