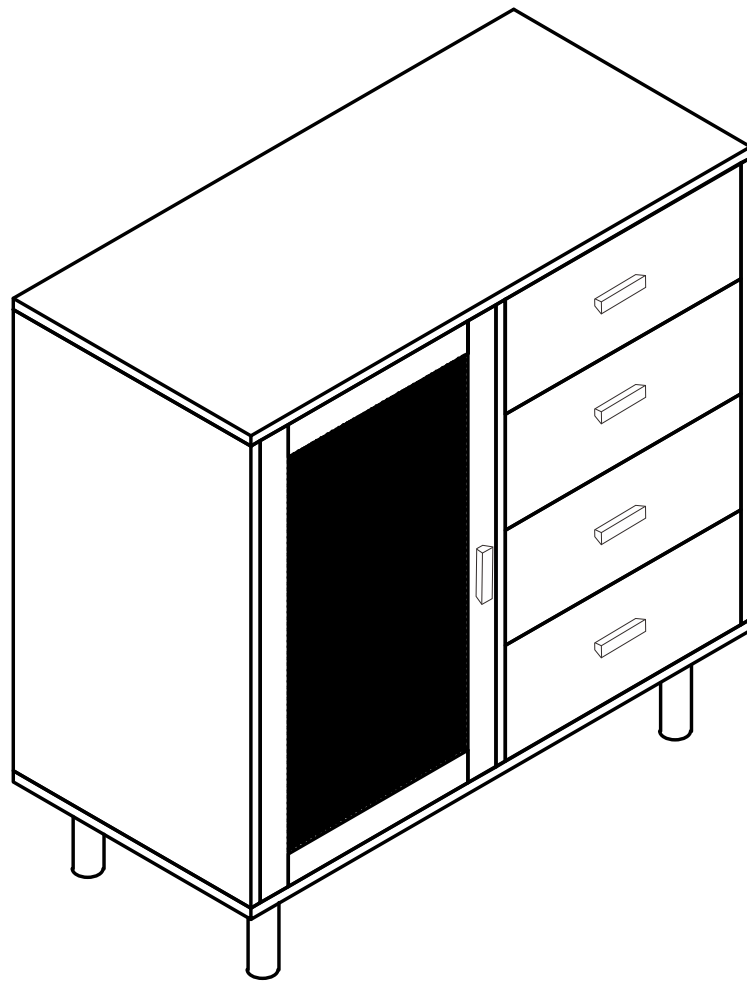
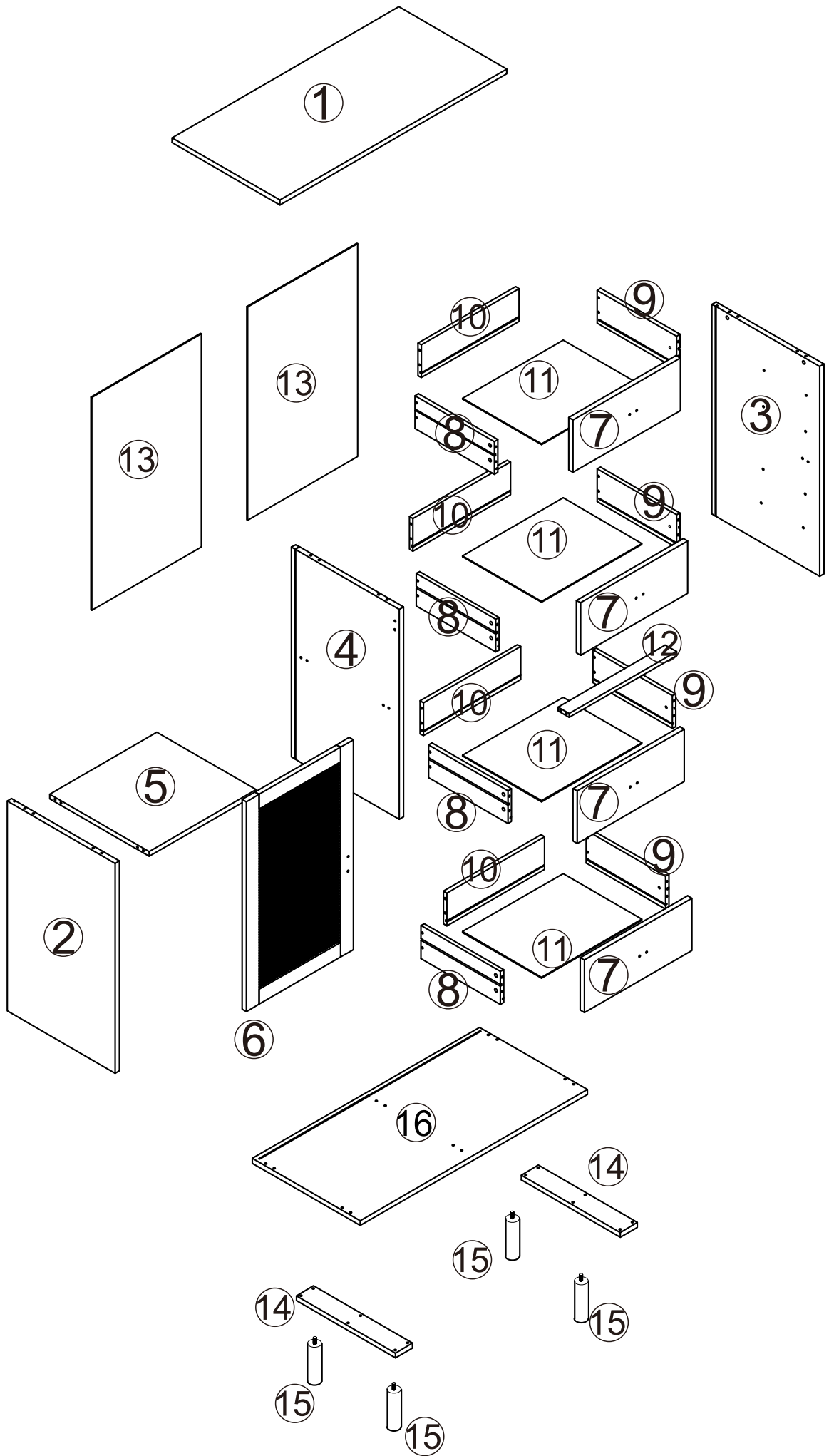


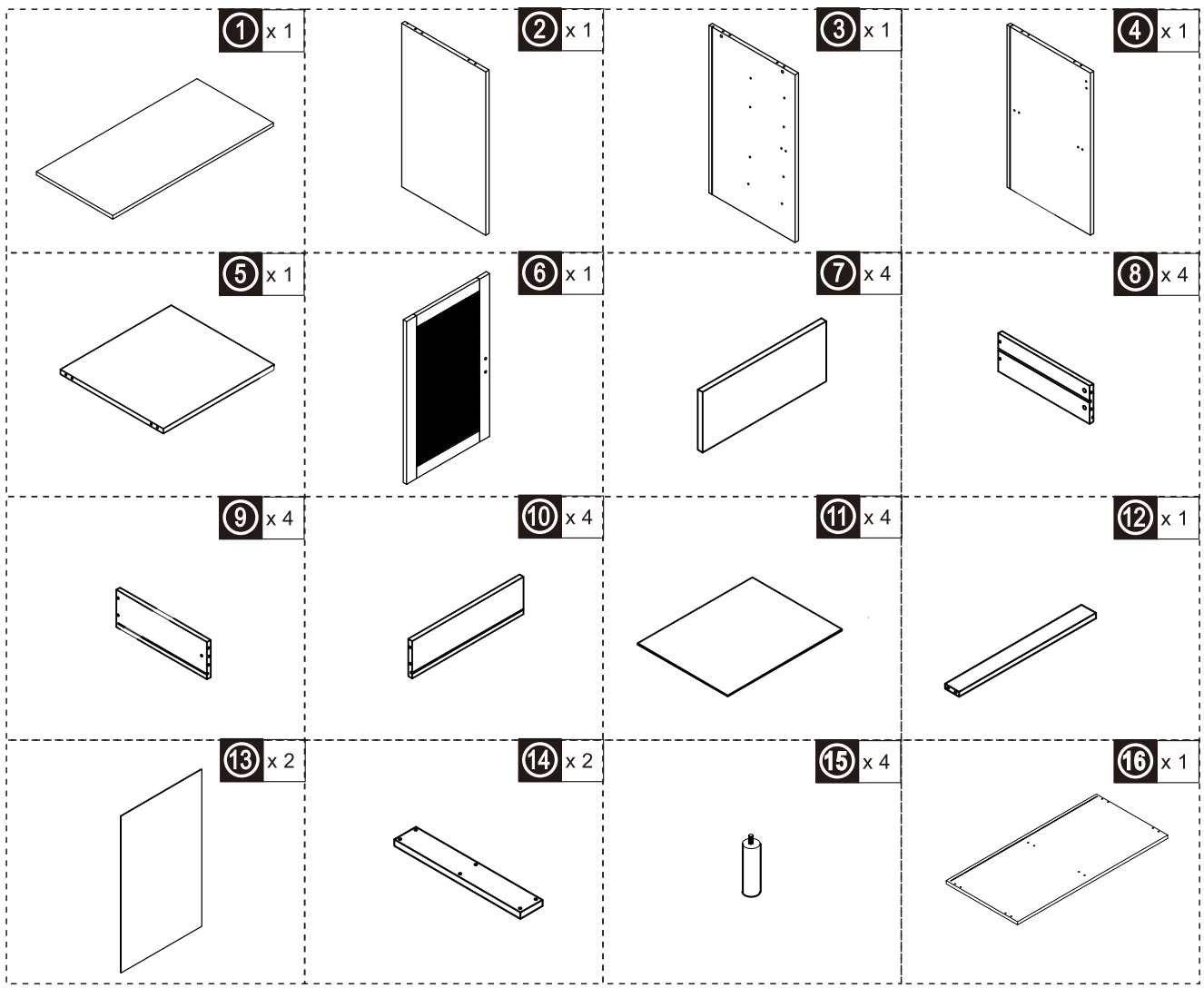
Installation & Assembly

Cabinets & Chests

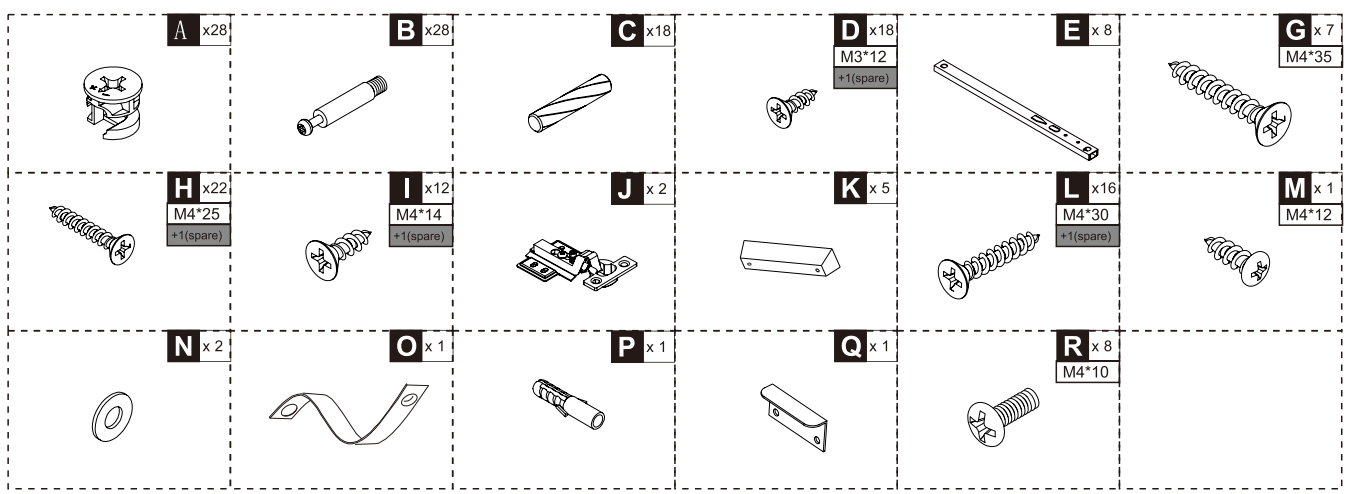




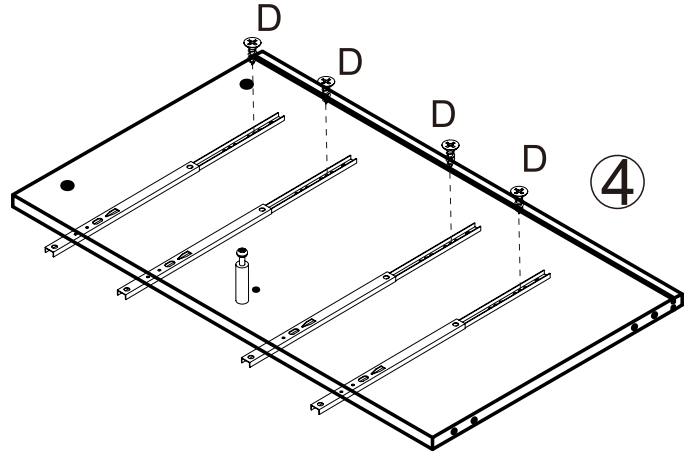
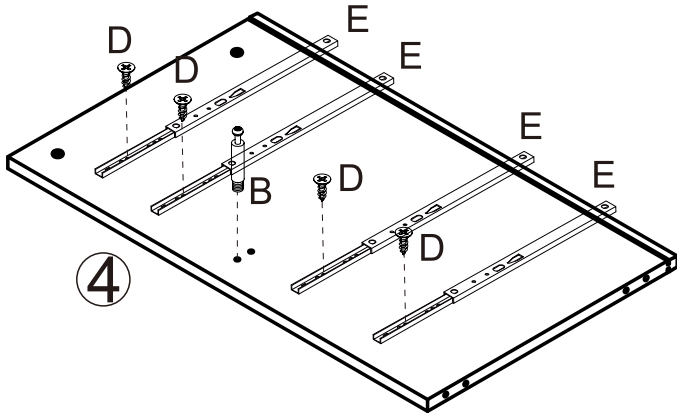
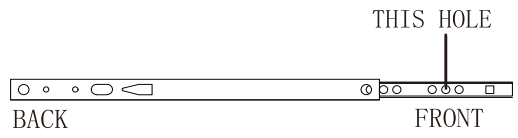
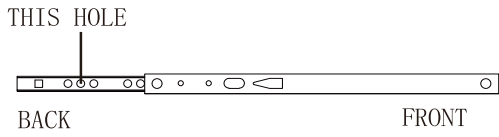
PARTS



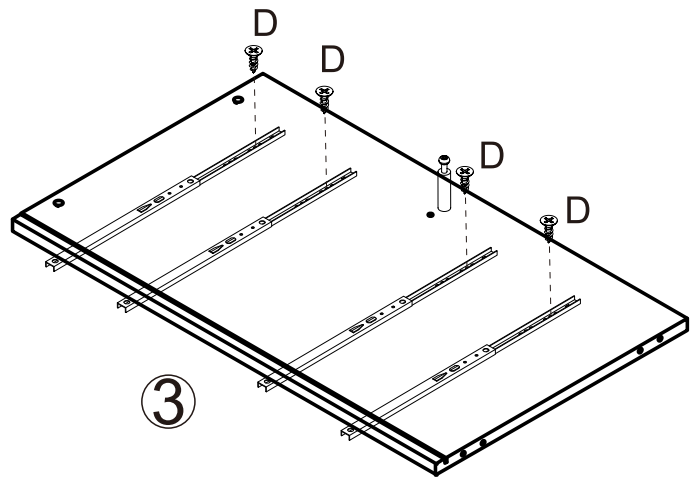
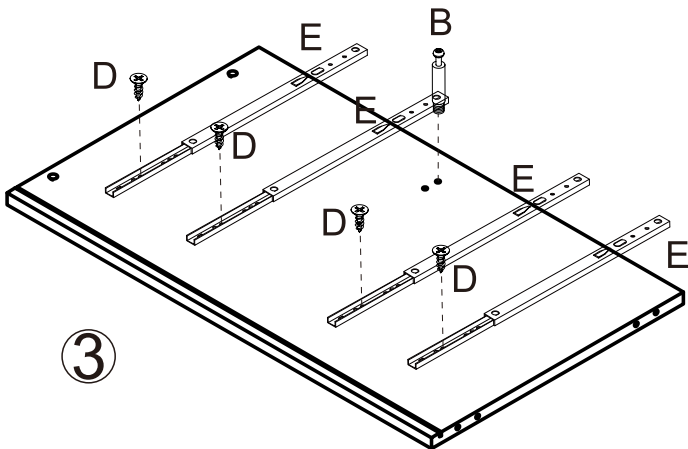
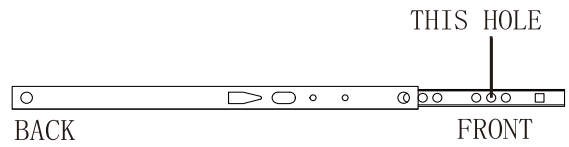
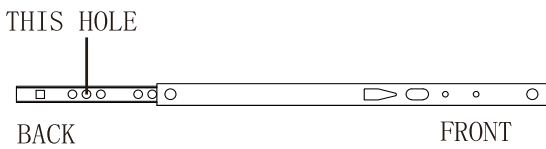
HARDWARE



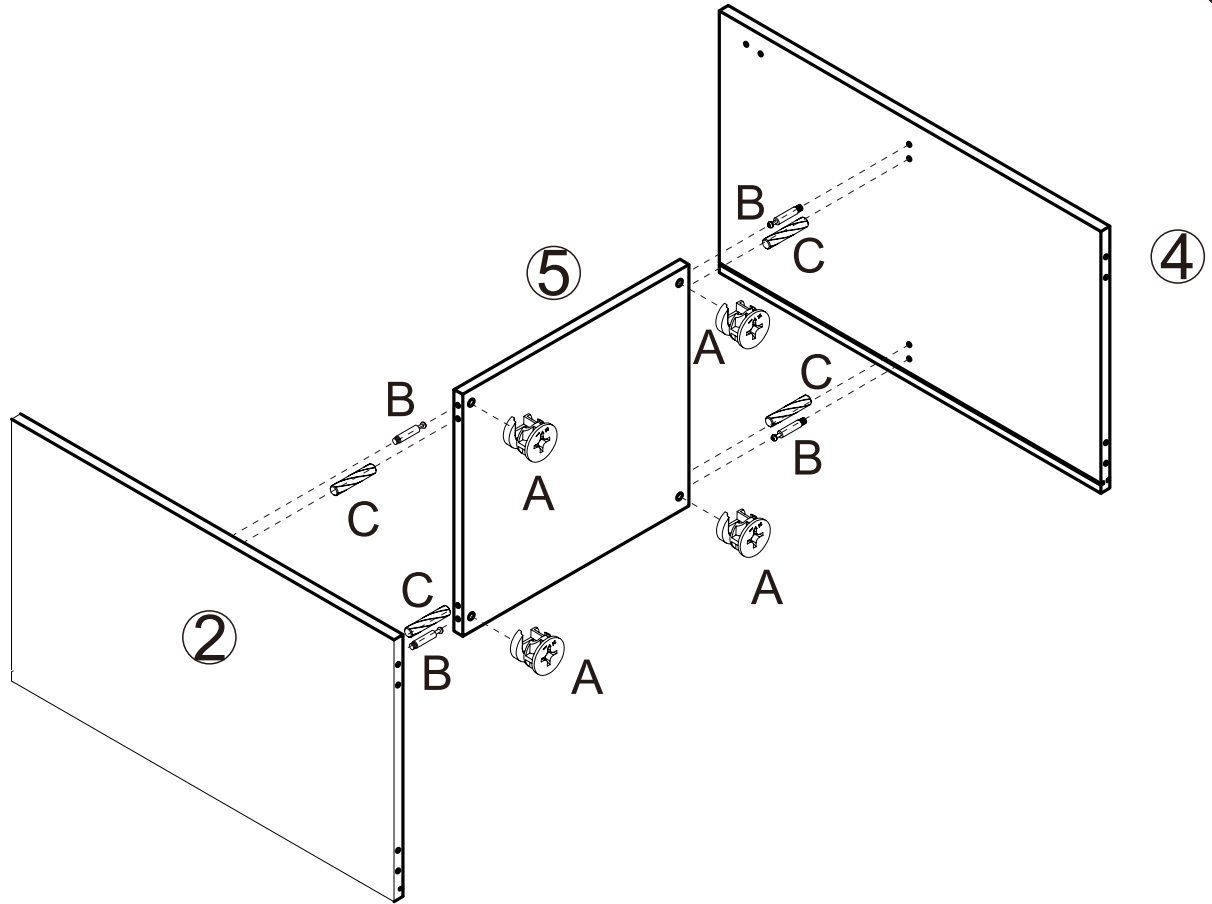
- B** x 1
- D** x 8
- E** x 4



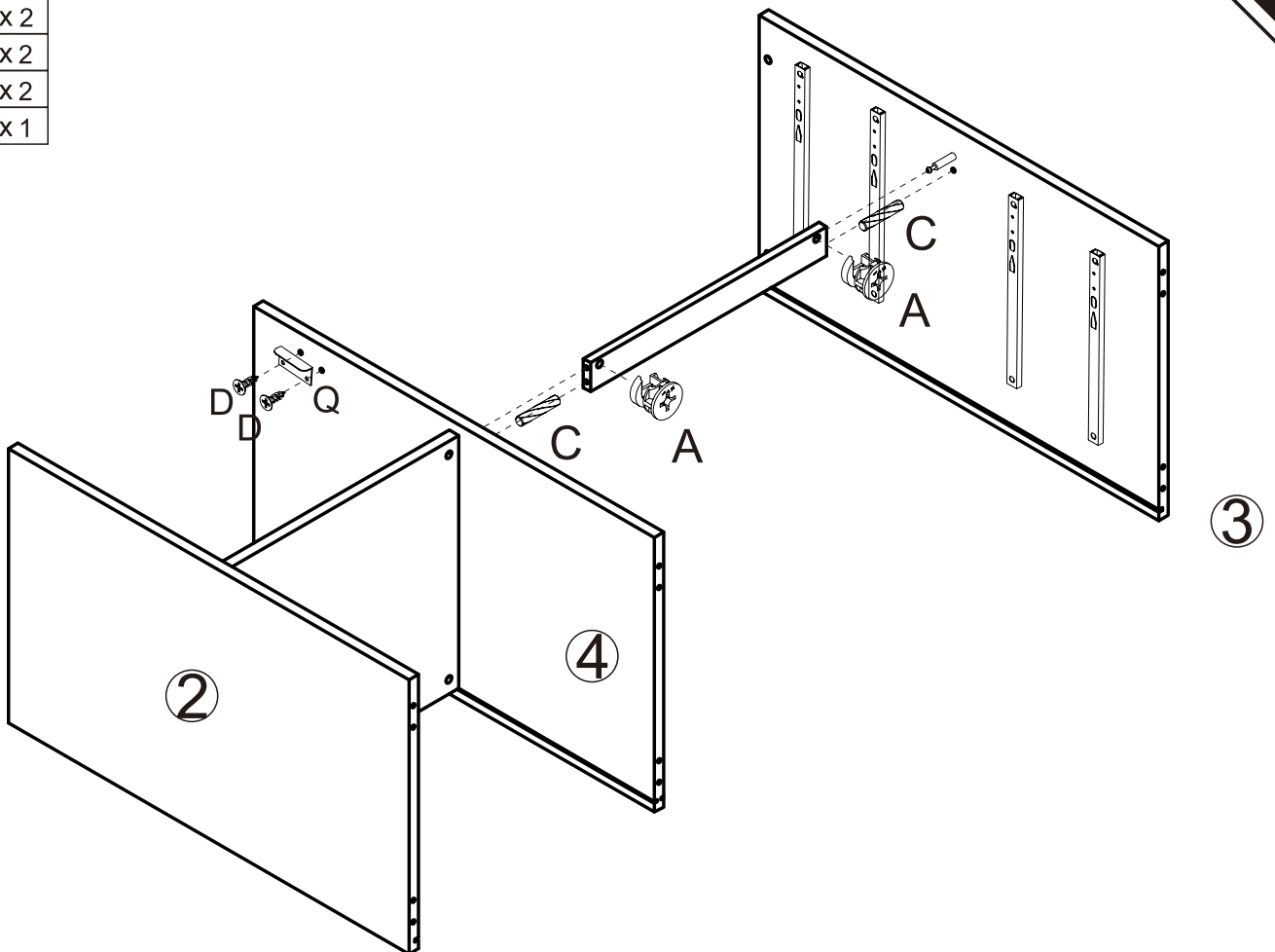
- B** x 1
- D** x 8
- E** x 4



- A x4
- B x4
- C x4

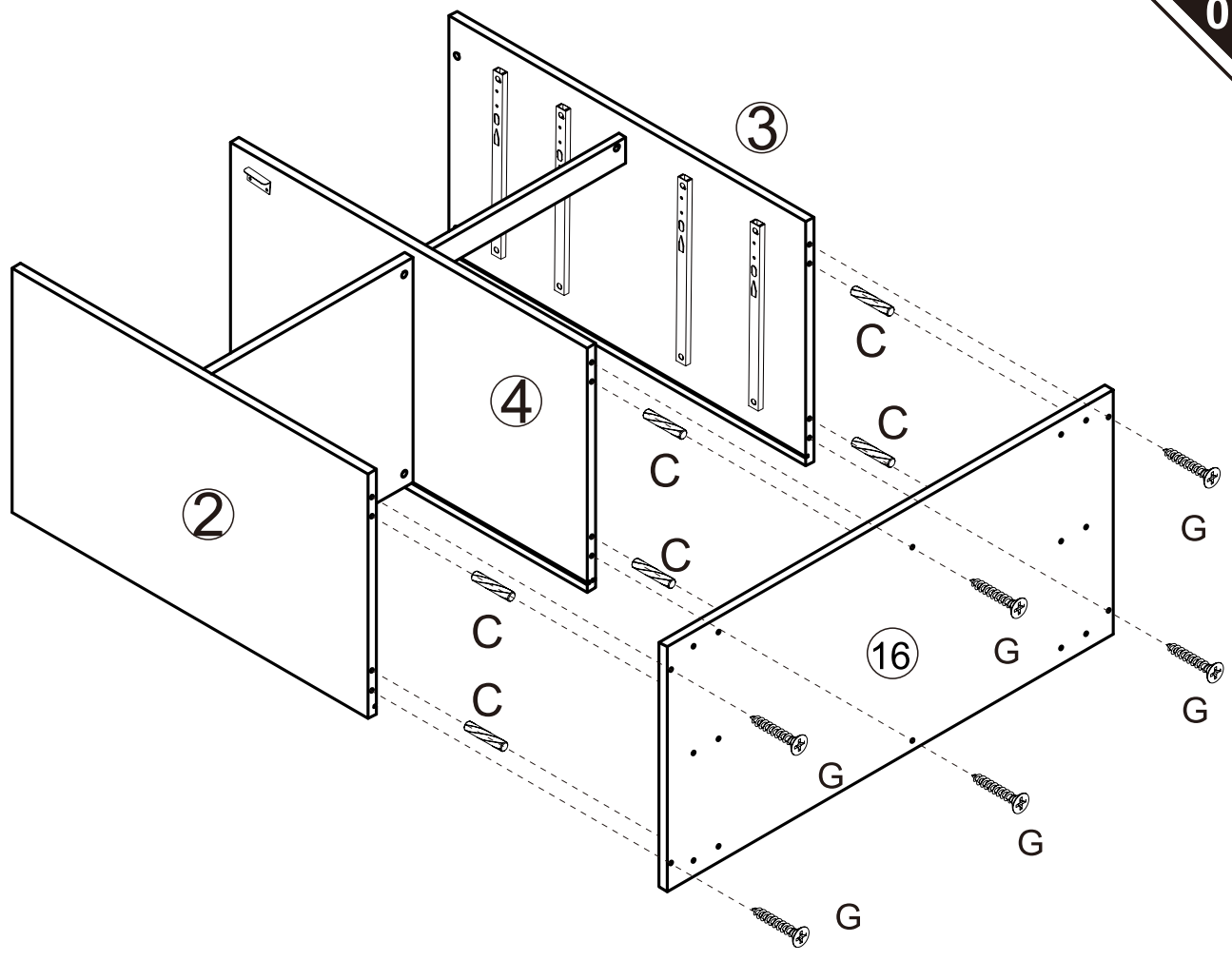


- A x2
- C x2
- D x2
- Q x1



C x6
G x6

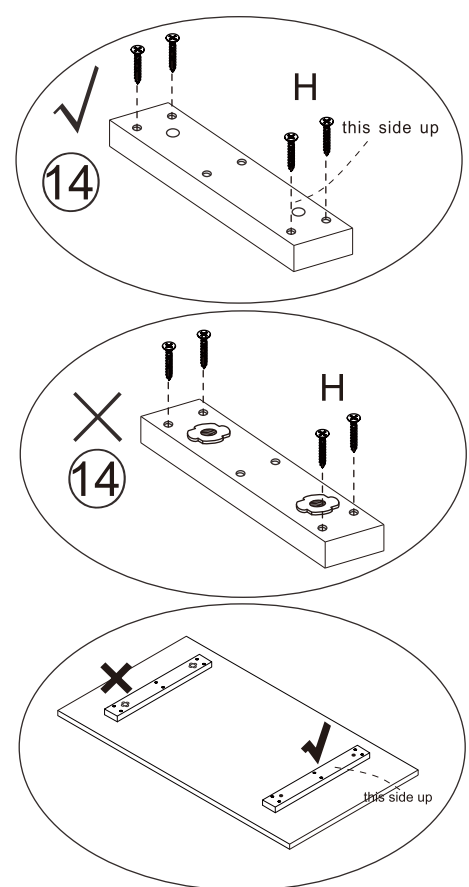
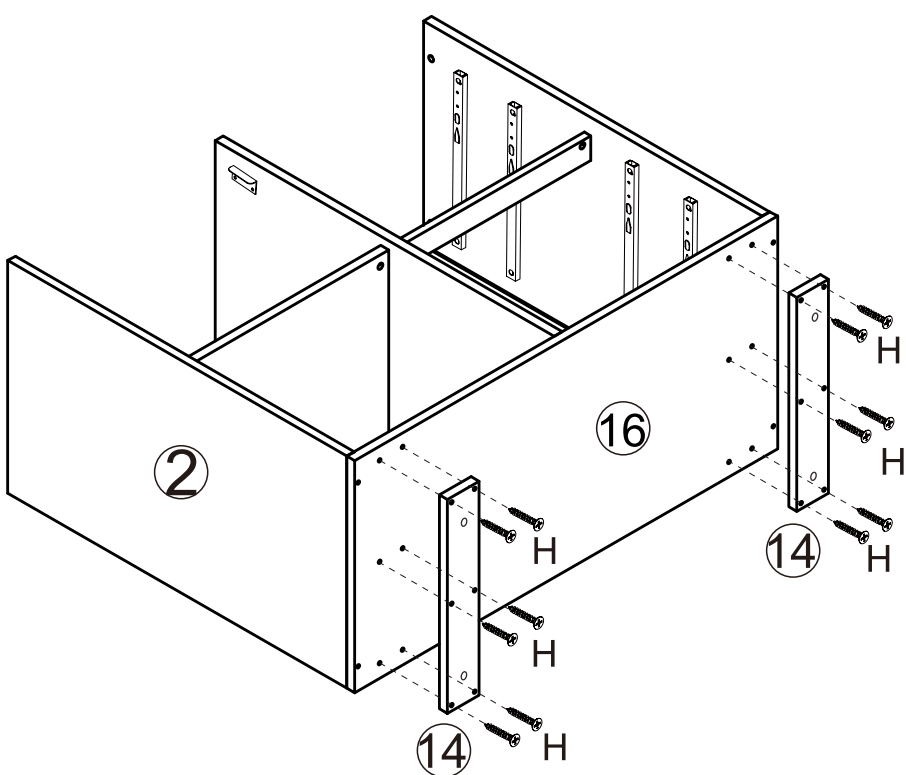
05

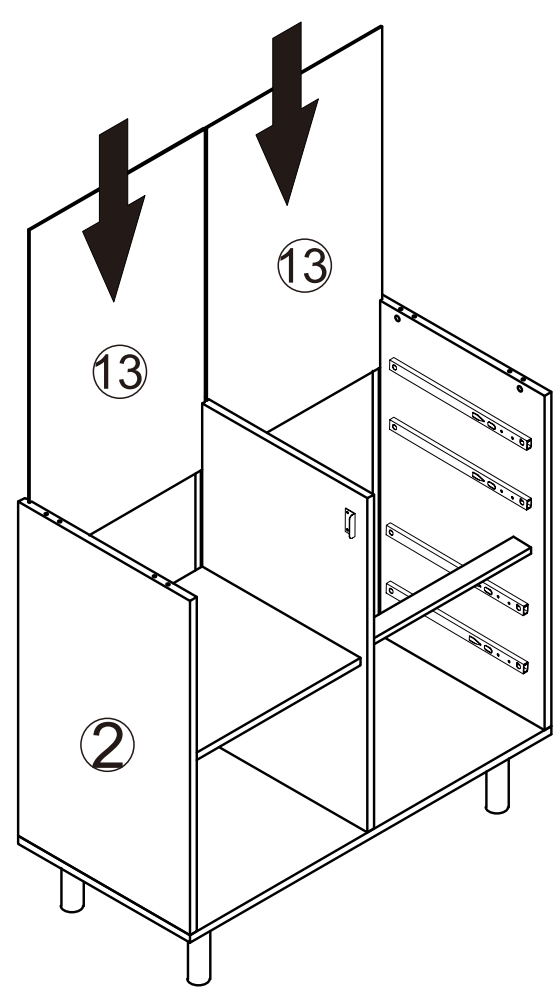
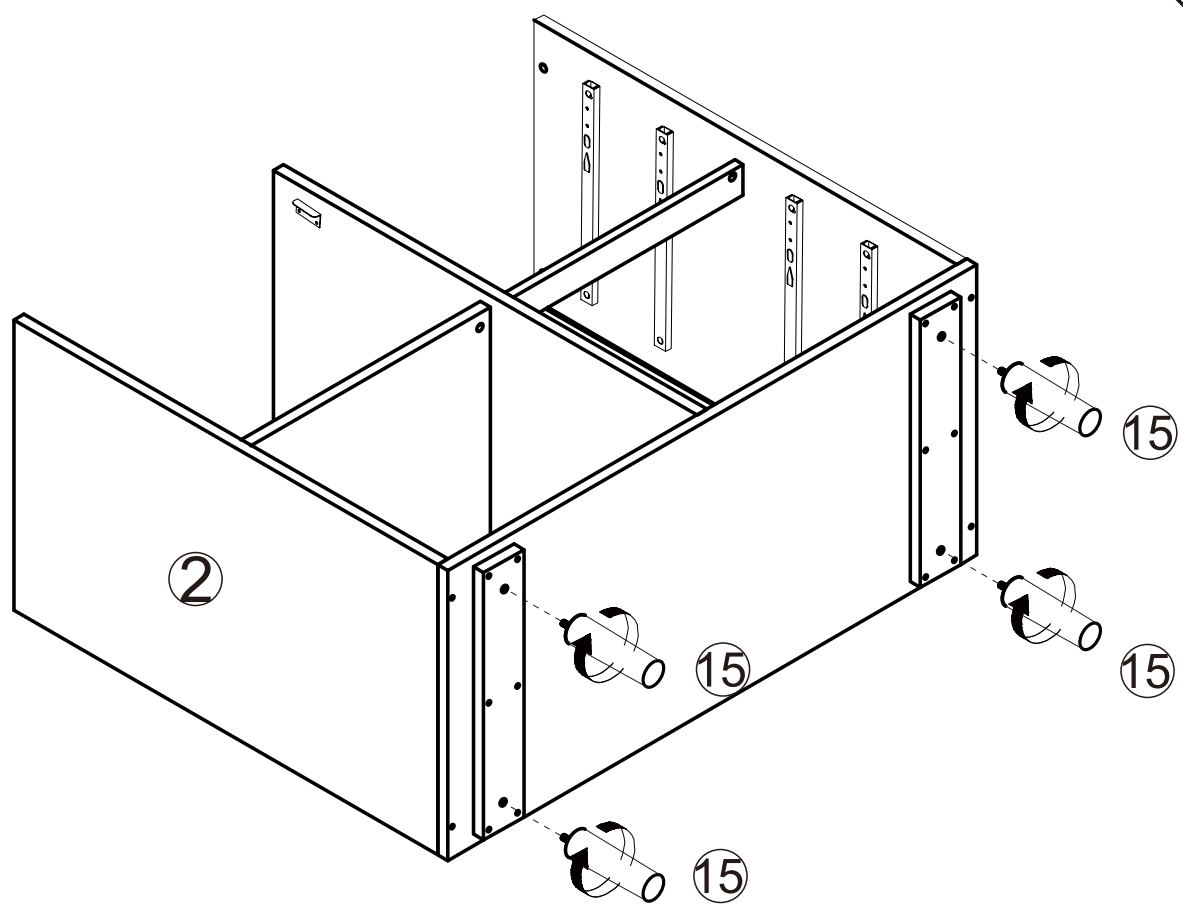


H x12

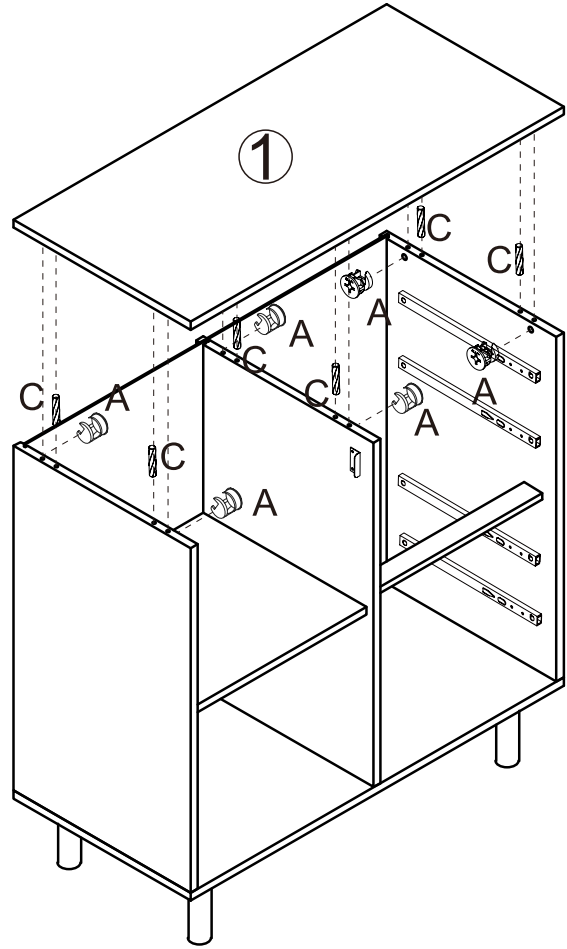
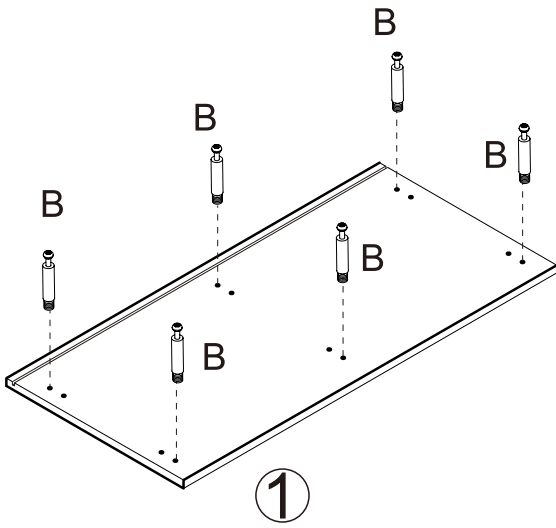
06

Please check the direction of the hole which to assemble the leg.

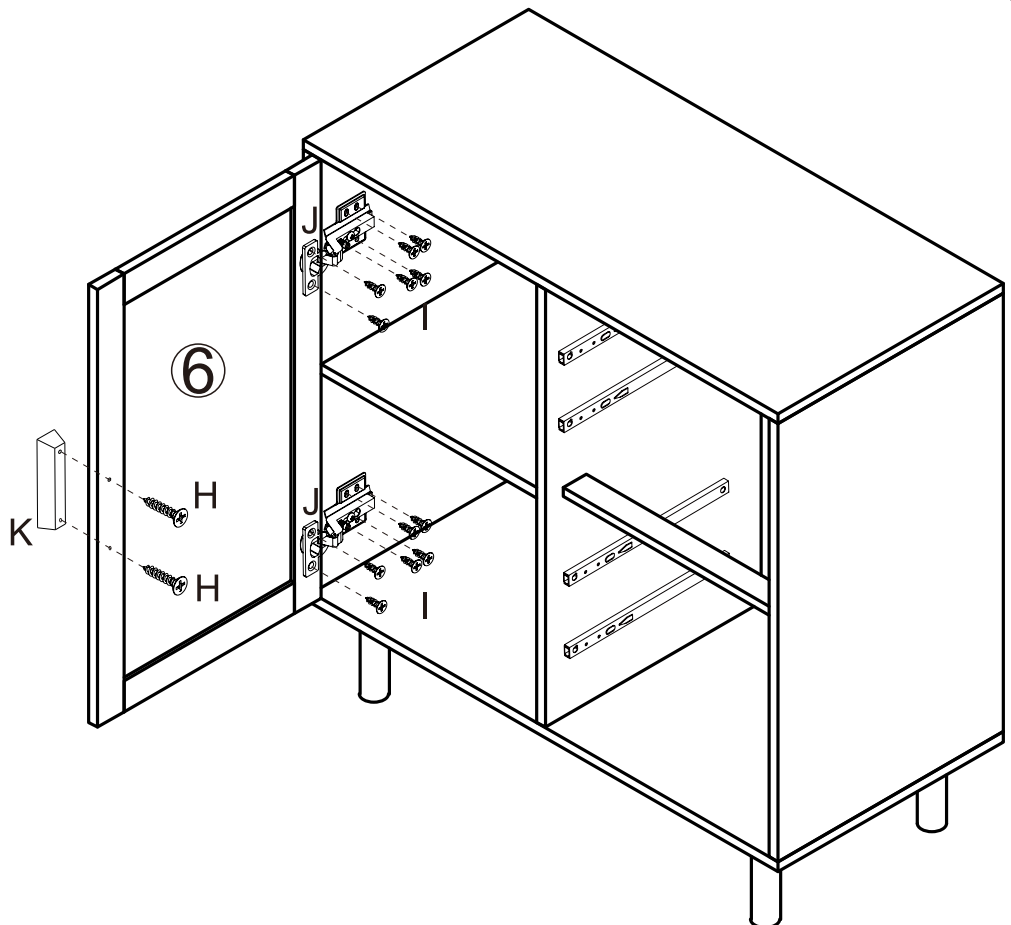
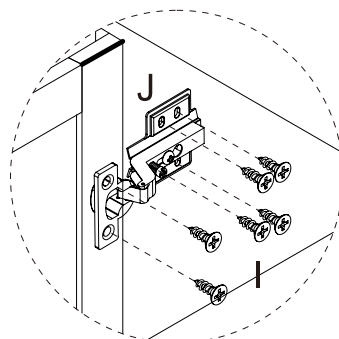
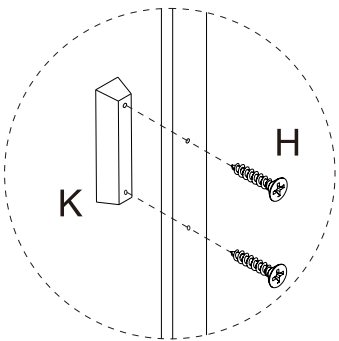




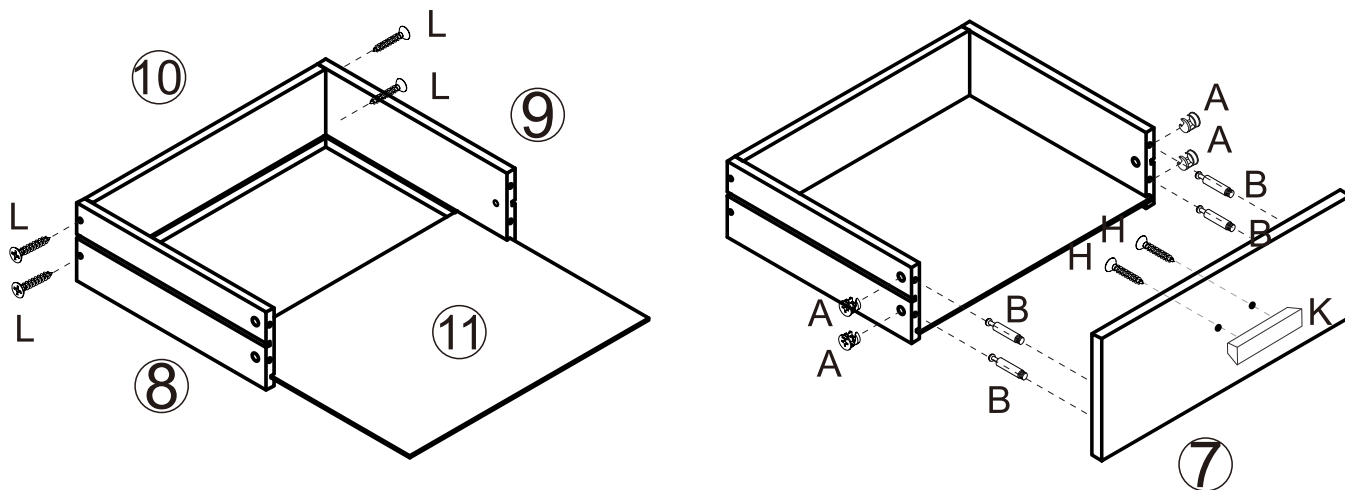
- A x6
- B x6
- C x6



- H x2
- I x12
- J x2
- K x1

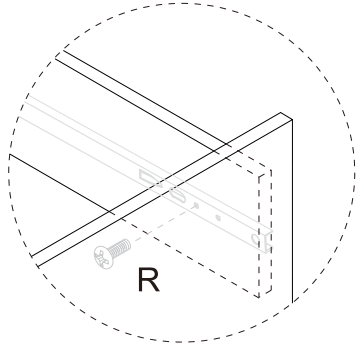
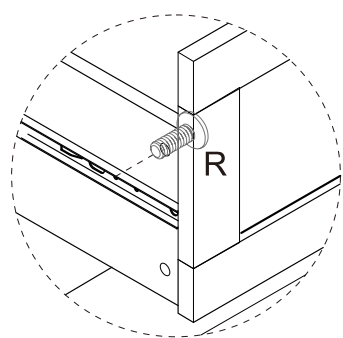
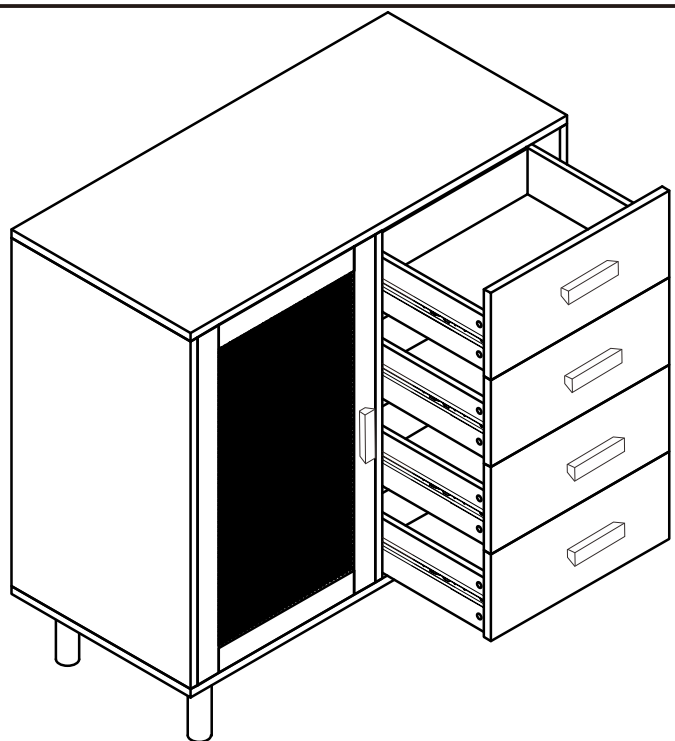


- A x16
- B x16
- H x8
- K x4
- L x16

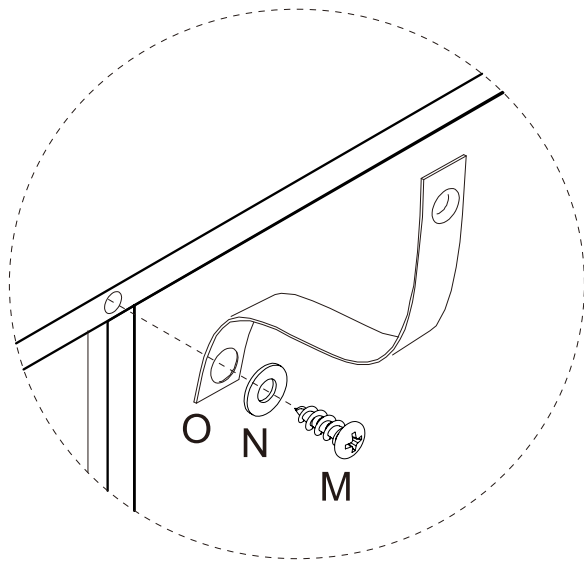
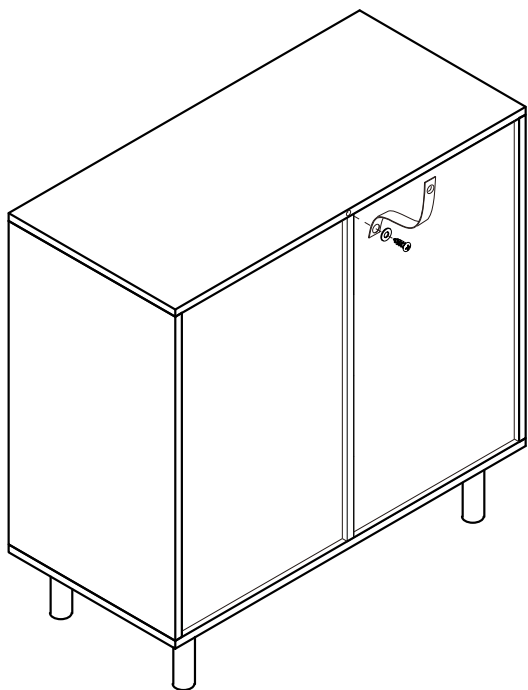


x4

- R x8



- M x1
- N x1
- O x1



- G x1
- N x1
- P x1

