

## TIER LADDER SHELVING UNIT

ITEM CODE: G-0518

### ASSEMBLY INSTRUCTION

**30 mins**

APPROXIMATE ASSEMBLY TIME

1 PEOPLE ASSEMBLY

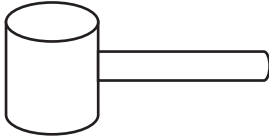


FLOOR AREA  
1MX1M

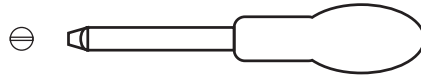


REQUIRED ASSEMBLY SPACE

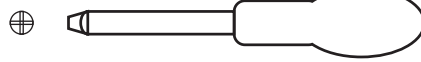
REQUIRED ASSEMBLY TOOLS



SOFT RUBBER HAMMER (Not Provided)



SLOTTED SCREWDRIVER (Not Provided)

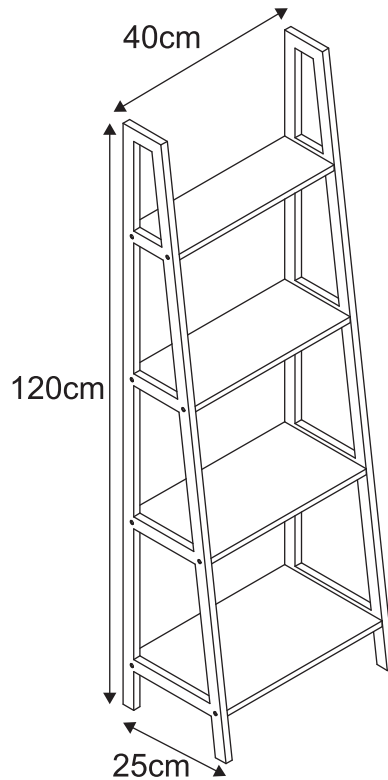


POZI SCREWDRIVER (Not Provided)



MEASURING TAPE (Not Provided)

ASSEMBLED DIMENSIONS



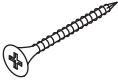


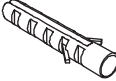
# TIER LADDER SHELVING UNIT

## ITEM CODE G-0518

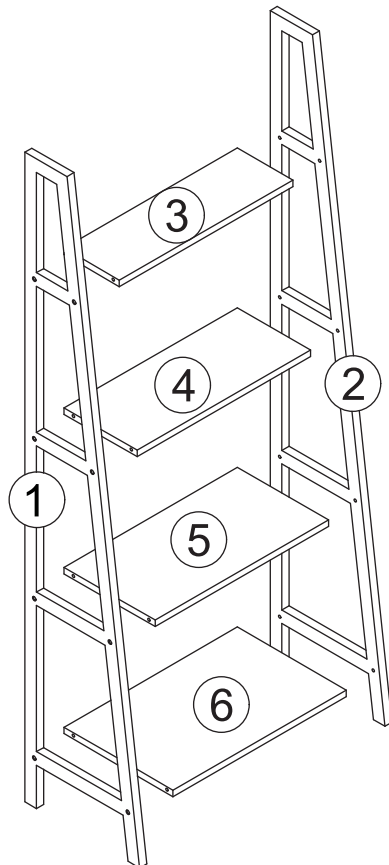
### ASSEMBLY INSTRUCTION

NO.	PART LIST	QTY	NO.	PART LIST	QTY
(1)	BAMBOO FRAME	1	(4)	SHELF	1
(2)	BAMBOO FRAME	1	(5)	SHELF	1
(3)	SHELF	1	(6)	SHELF	1

### HARDWARE LIST

A	× 17	B	× 1	C	× 1	D	× 1
							
SCREW		SCREW		ANTI-TIP STRAP		RAW PLUG	

### PART LIST



# TIER LADDER SHELVING UNIT

## ITEM CODE G-0518

### ASSEMBLY INSTRUCTION



#### Safety Advice and Care Advice

KEEP ALL THE SAFETY ADVICE AND INSTRUCTIONS IN A SAFE PLACE FOR FUTURE REFERENCE!

#### **⚠ WARNING! RISK OF LOSS OF LIFE OR ACCIDENT**

**TO INFANTS AND CHILDREN!** Never leave children unsupervised with the packaging materials. Danger of suffocation.

**⚠ CAUTION! RISK OF INJURY!** Make sure that all parts are undamaged and assembled correctly. Improper assembly carries a risk of injury. Damaged parts may affect the safety and function of the product.

- Make sure that this product is standing on a solid, level surface.

**⚠ CAUTION!** Do not leave children unsupervised! The product is not a climbing frame or a toy! Make sure that nobody, especially a child, climbs on or leans against the product.

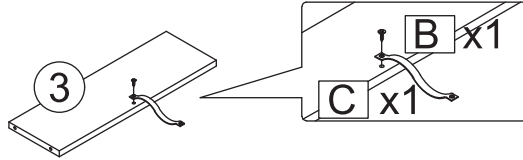
- Distribute weight evenly across the product so that it cannot overturn.
- Do not load more than a total of 15kg onto the product, otherwise there is a risk of injury and/or damage to the product.
- Check that the product is stable before using it.
- Do not lift or move the product when it is loaded.
- Keep away from fire and inflammable objects.
- **Wipe clean with a damp cloth.**
- Make sure that all screws and fixings are secure before use.
- Do not place very hot or very cold items on the surface(s) unless adequately thick table mats are used.
- Please periodically check all fittings and re-tighten as necessary.
- Domestic use only.

# TIER LADDER SHELVING UNIT

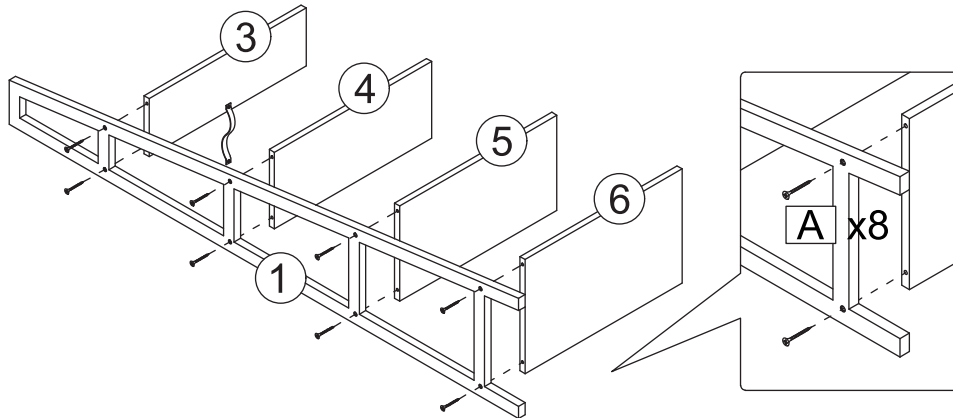
## ITEM CODE G-0518

### ASSEMBLY INSTRUCTION

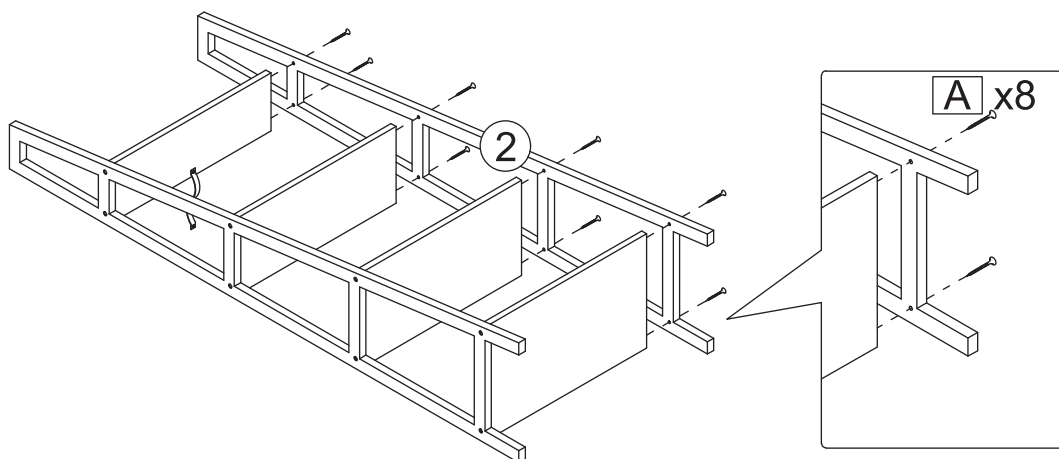
#### STEP 1



#### STEP 2

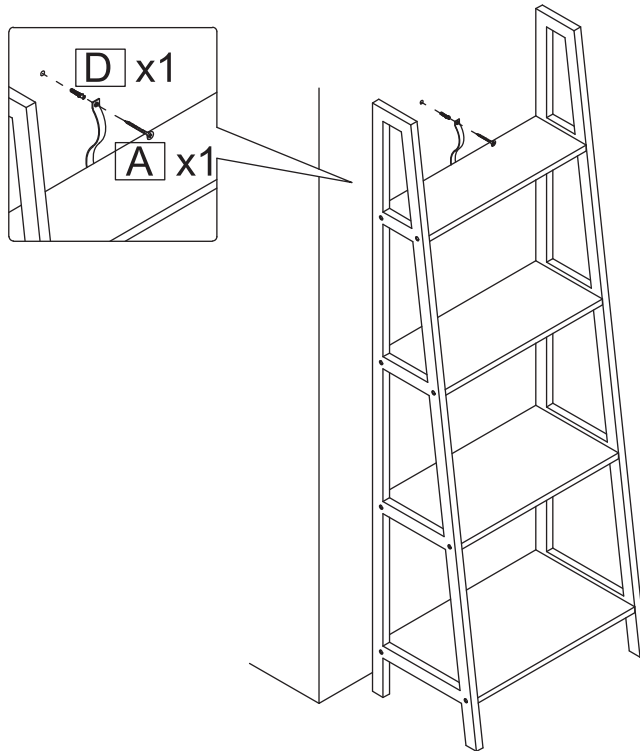


#### STEP 3

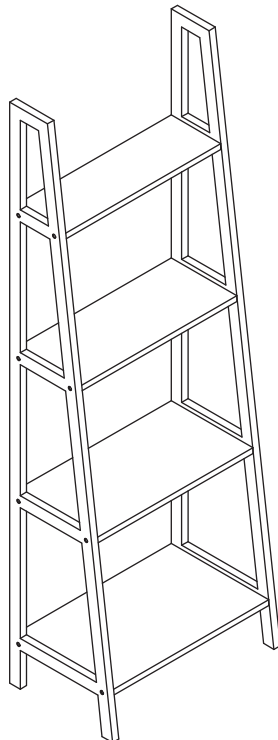


**TIER LADDER SHELVING UNIT**  
**ITEM CODE G-0518**  
**ASSEMBLY INSTRUCTION**

**STEP 4**



**STEP 5**



---

## **Guarantee**

This product is guaranteed for twelve months from the date of original purchase. If any defect should occur due to faulty materials or workmanship, the unit will either be replaced or refunded at our discretion.

You will need to have your receipt or proof of purchase.

**The following conditions apply:**

- The product must be returned to the retailer with original proof of purchase.
- It is only valid in the UK.
- It does not cover wear and tear, damage, misuse or consumable parts.
- The product must be correctly installed and operated in accordance with the instructions contained in the instruction manual.
- The product must be used solely for domestic purposes.
- The guarantee will be rendered invalid if the product is re-sold or has been damaged by inexpert repair.
- The guarantee is in addition to, and does not diminish your statutory or legal rights.

Manufactured for  
Gill HK Ltd BD4 9SW  
[www.gillhk.com](http://www.gillhk.com)

Made in China