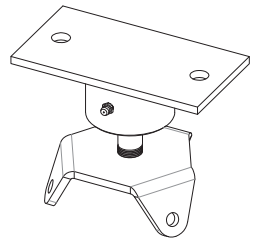


Installation Guide

Heavy Duty Tire Swivel (SSS-0086-P)

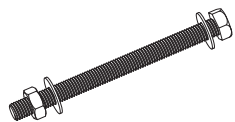
Part List



X 1

Recommended Accessories

Sold Separately



X 2

Tools



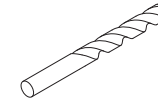
Gloves



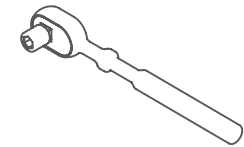
Safety Glasses



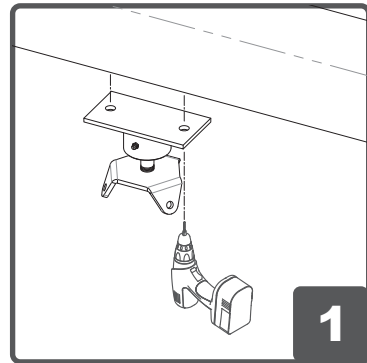
Electric Drill



Dia 12 mm Drill

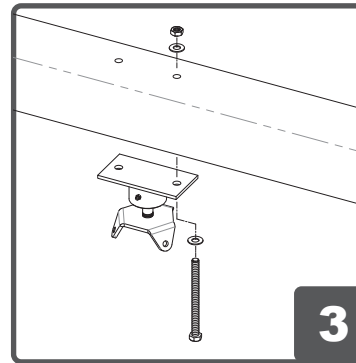


Ratchet



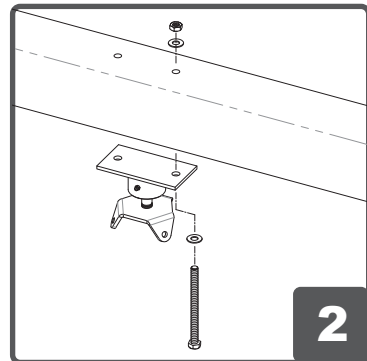
1

Place the Tire Swivel to the board, mark the holes for predrilling 2 holes through the board.



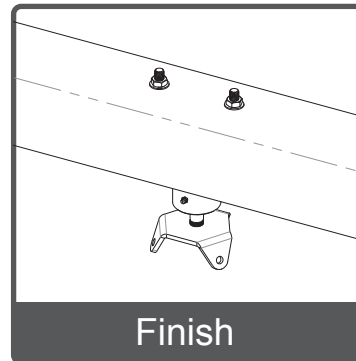
3

Repeat the step 2 to complete the whole assembly.

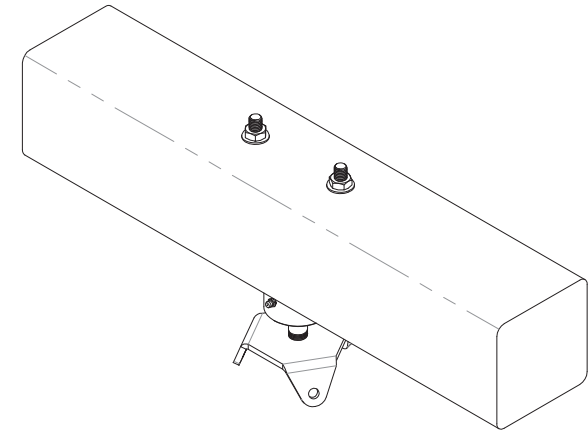


2

Put the screw through the hole and fasten it with washer and nut.



Finish



Finish

