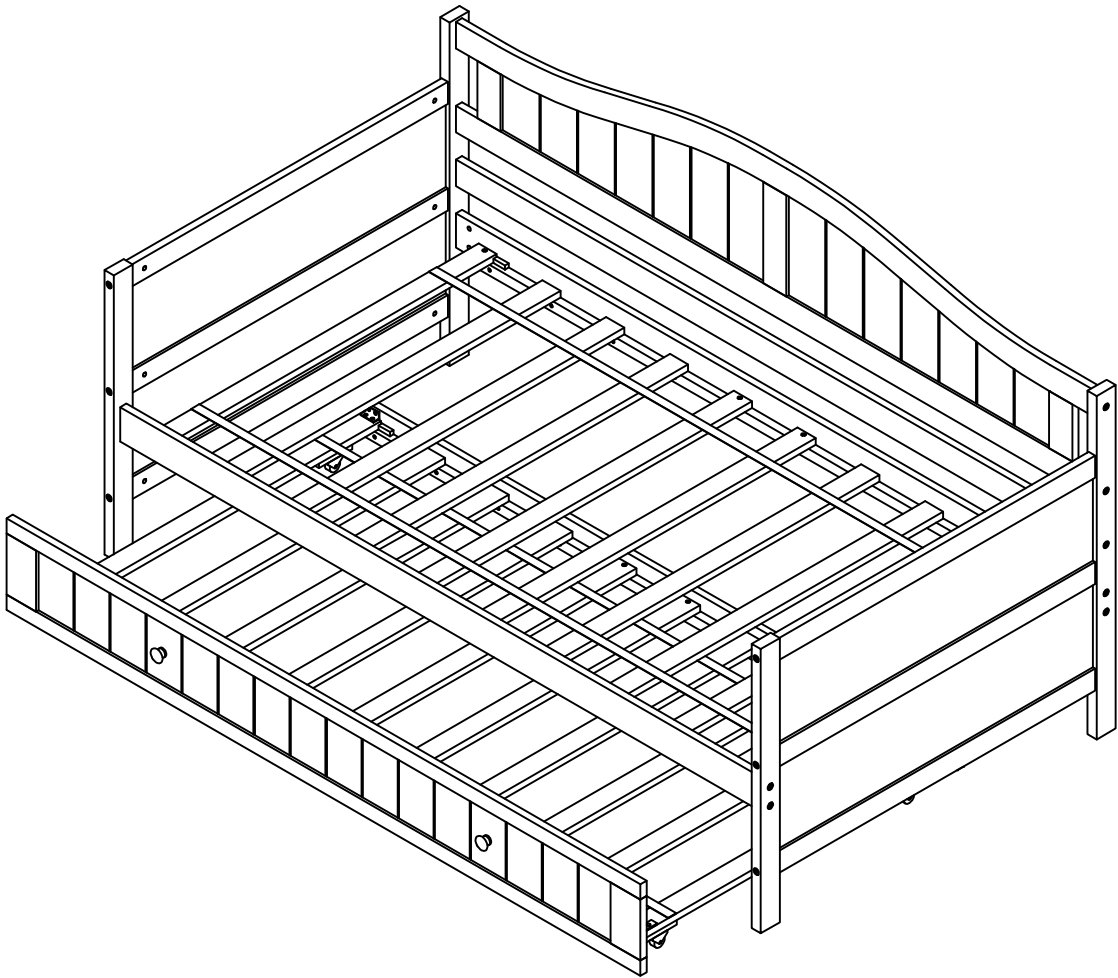
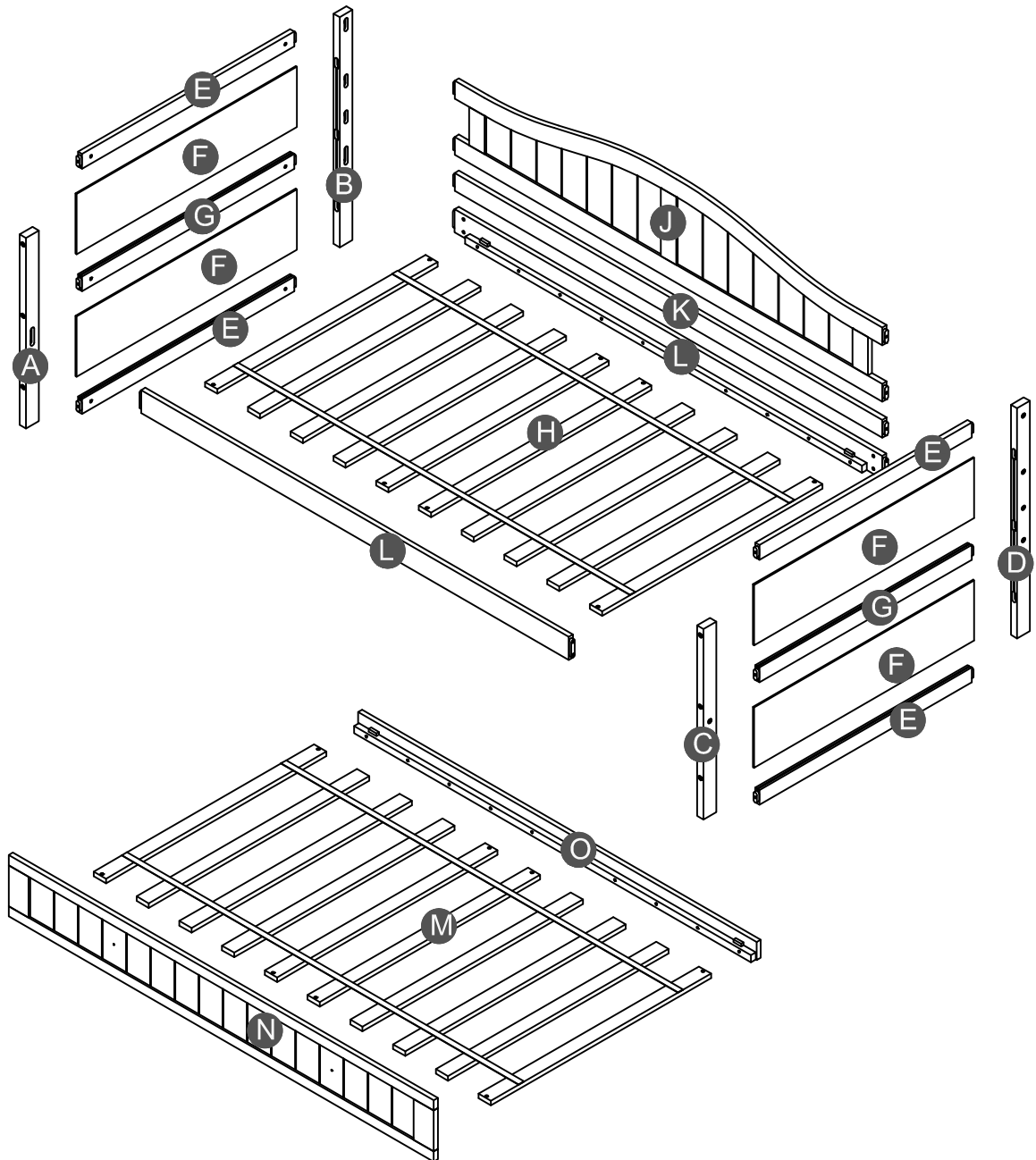


ASSEMBLY INSTRUCTIONS

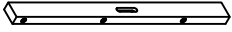

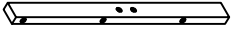

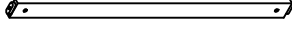


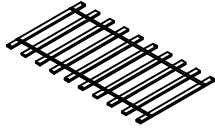
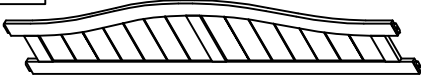
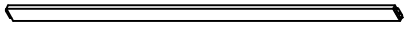
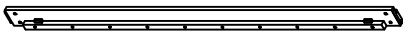
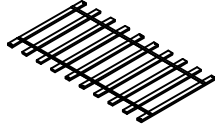


DAY BED WITH TRUNDLE



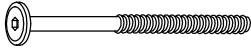
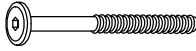

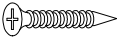
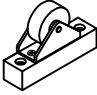
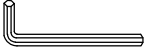
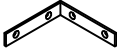

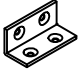
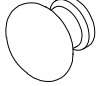

Detail View



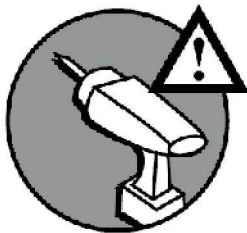
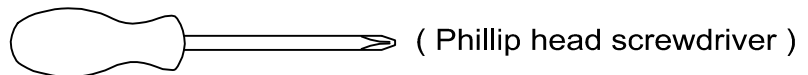
Part List

<p>A</p>  <p>Leg HB (Left)- 1pc</p>	<p>B</p>  <p>Leg HB (Right)- 1pc</p>	<p>C</p>  <p>Leg FB (Right)- 1pc</p>
<p>D</p>  <p>Leg FB (left)- 1pc</p>	<p>E</p>  <p>Horizontal bars HB&FB- 4pcs</p>	<p>F</p>  <p>Side panel (HB&FB) - 4pcs</p>
<p>G</p>  <p>Horizontal center HB&FB- 2pcs</p>	<p>H</p>  <p>Slat - 1set - (10pcs)</p>	<p>J</p>  <p>Guard rail (back)- 1pc</p>
<p>K</p>  <p>Horizontal(back)- 1pc</p>	<p>L</p>  <p>Side rail (Front & Back)- 2pcs</p>	<p>M</p>  <p>Trundle Slat - 1set - (10pcs)</p>
<p>N</p>  <p>Trundle front - 1pc</p>	<p>O</p>  <p>Trundle back panel - 1pc</p>	

Hardware List

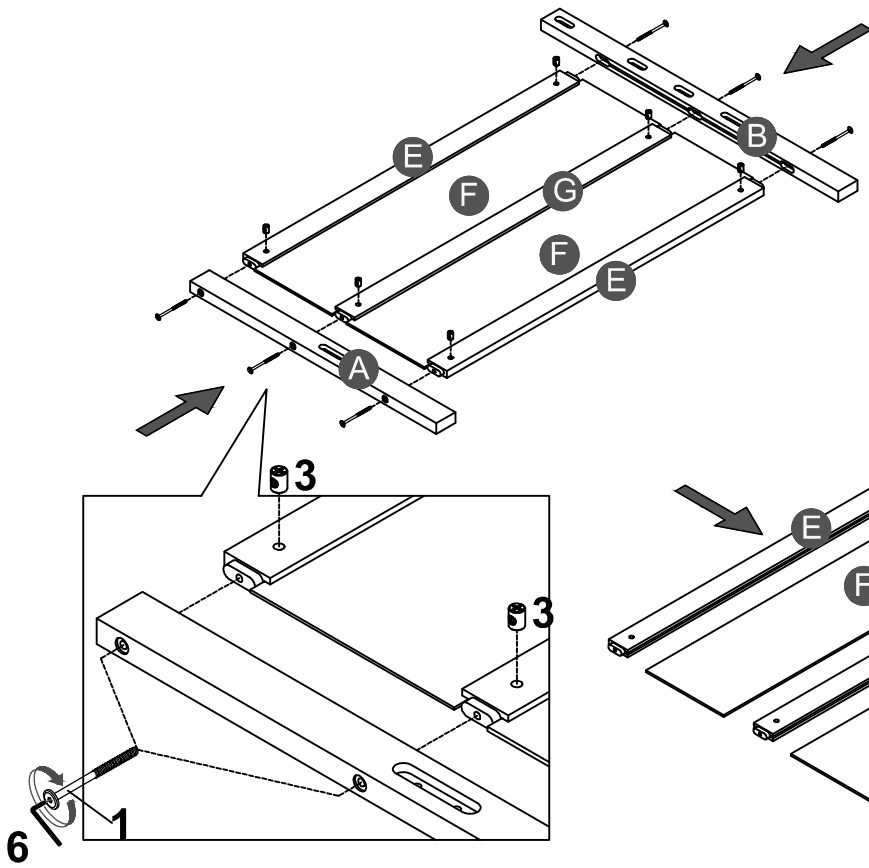
1  (Ø15)1/4"*100mm Hex-Head bolts (12pcs)	2  (Ø15)1/4"*80mm Hex-Head bolts (14pcs)	3  1/4"*15 (9.5mm) Horizontal-Hole bolts(26pcs)
4  Ø4*30mm Wood screws (24pcs)	5  100*65*20 mm Wheels (4pcs)	6  (1/4")4.5*58mm Allen key (1pc)
7  95*95*18*3mm Metal bracket (2pcs)	8  Ø3.5*15mm Wood screws (16pcs)	9  40*18*18*2mm Metal bracket (2pcs)
10  Ø38*31mm Pine Knob (2pcs)	11  3/16"*15mm Ph zinc(Knob) (2pcs)	



ASSEMBLY TOOLS REQUIRED (NOT INCLUDED)



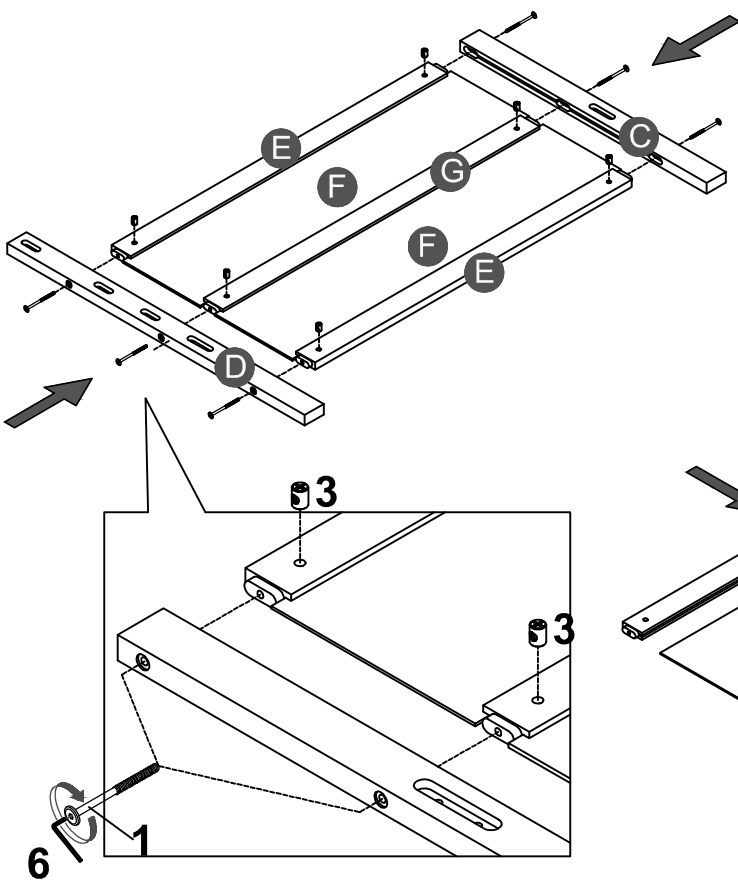
DO NOT USE POWER TOOLS TO ASSEMBLE THIS PRODUCT !



STEP 1:





1		3	
6PCS		6PCS	

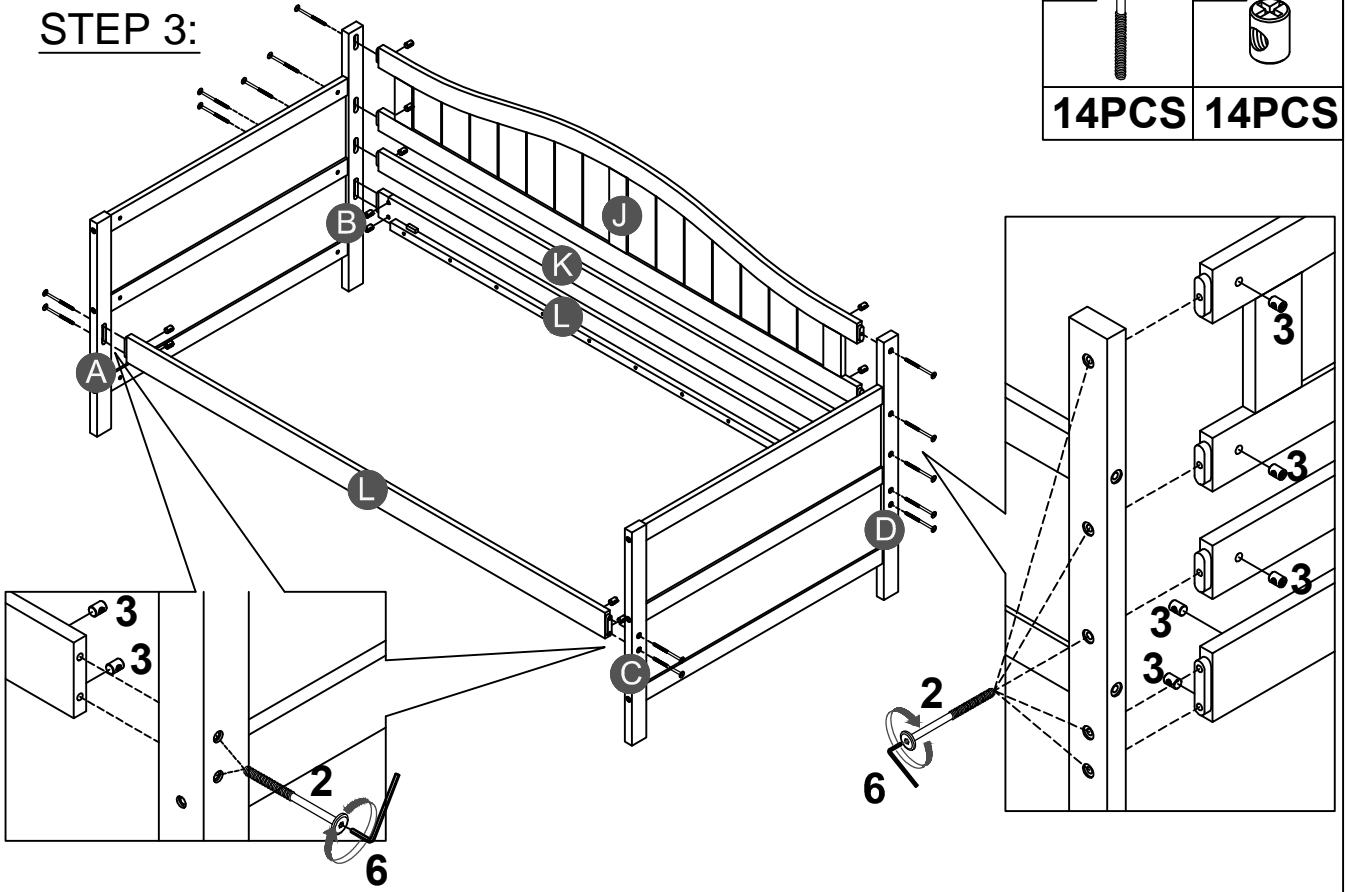
STEP 2:




1		3	
6PCS		6PCS	

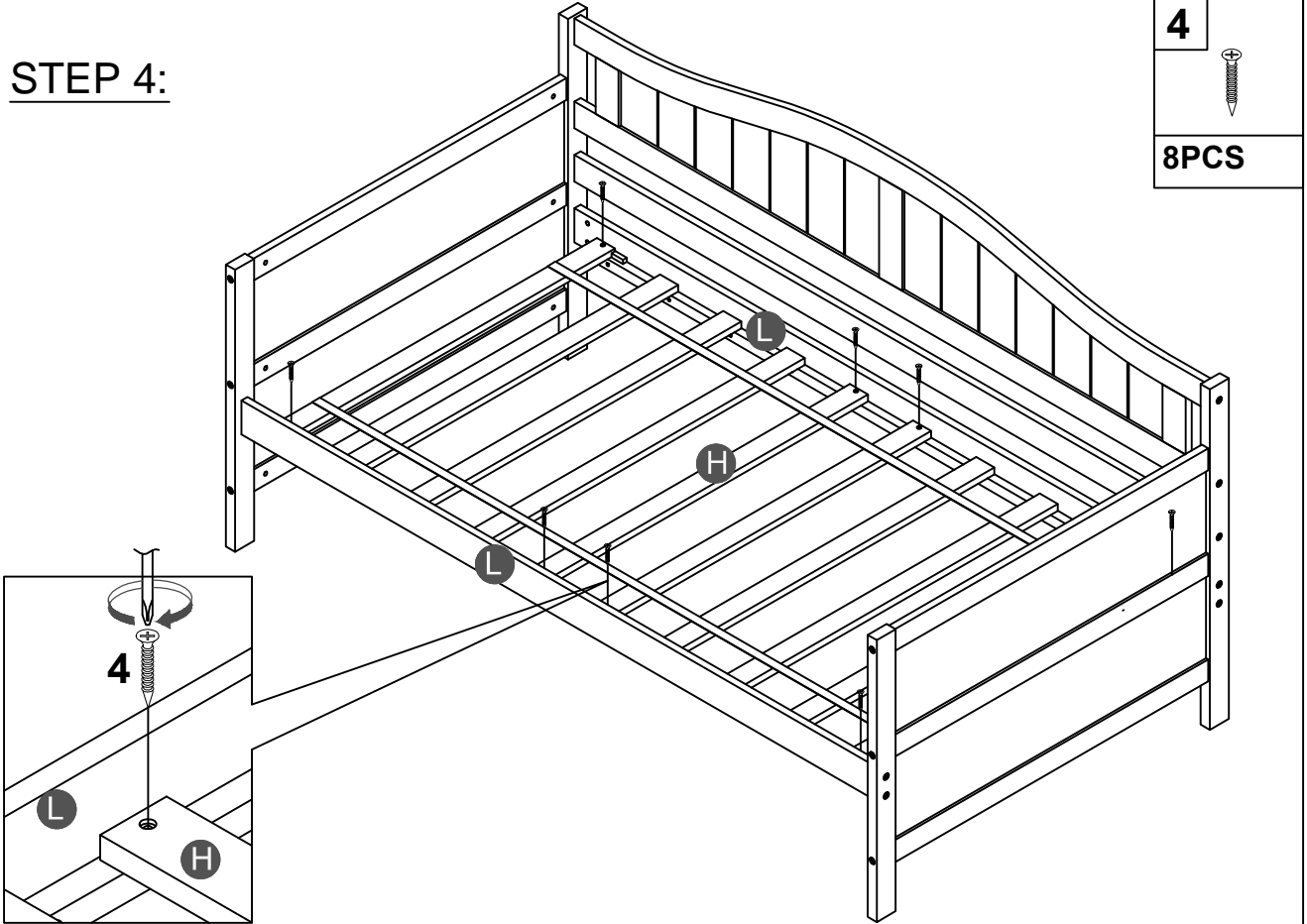
STEP 3:

2		3	
14PCS		14PCS	





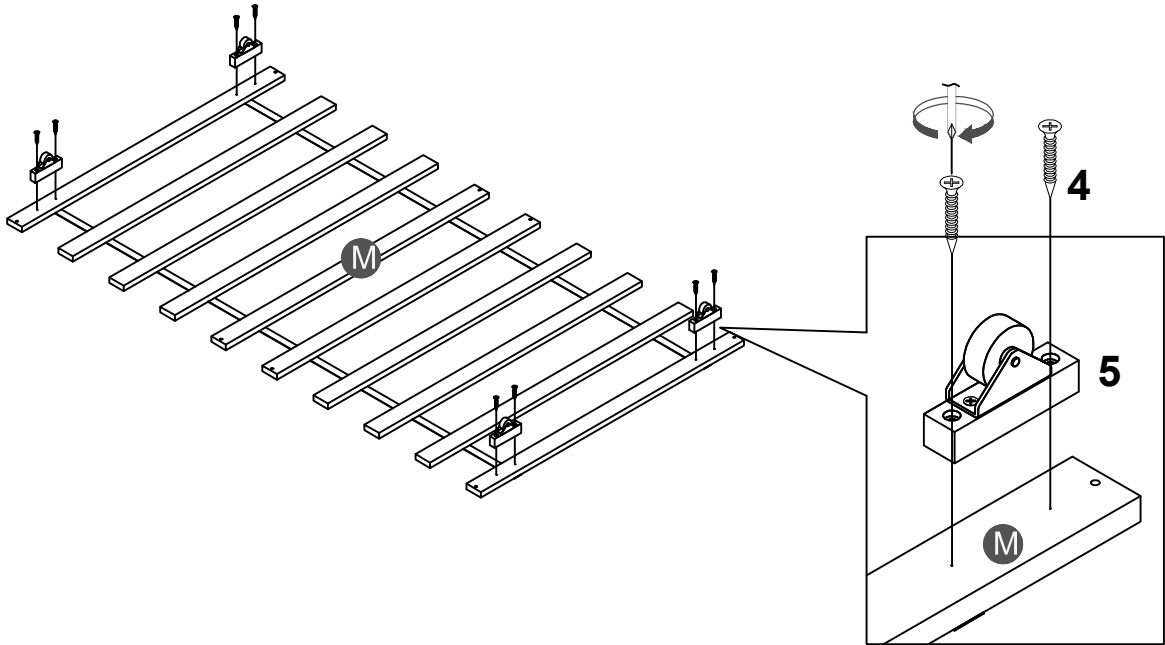
STEP 4:

4	
8PCS	




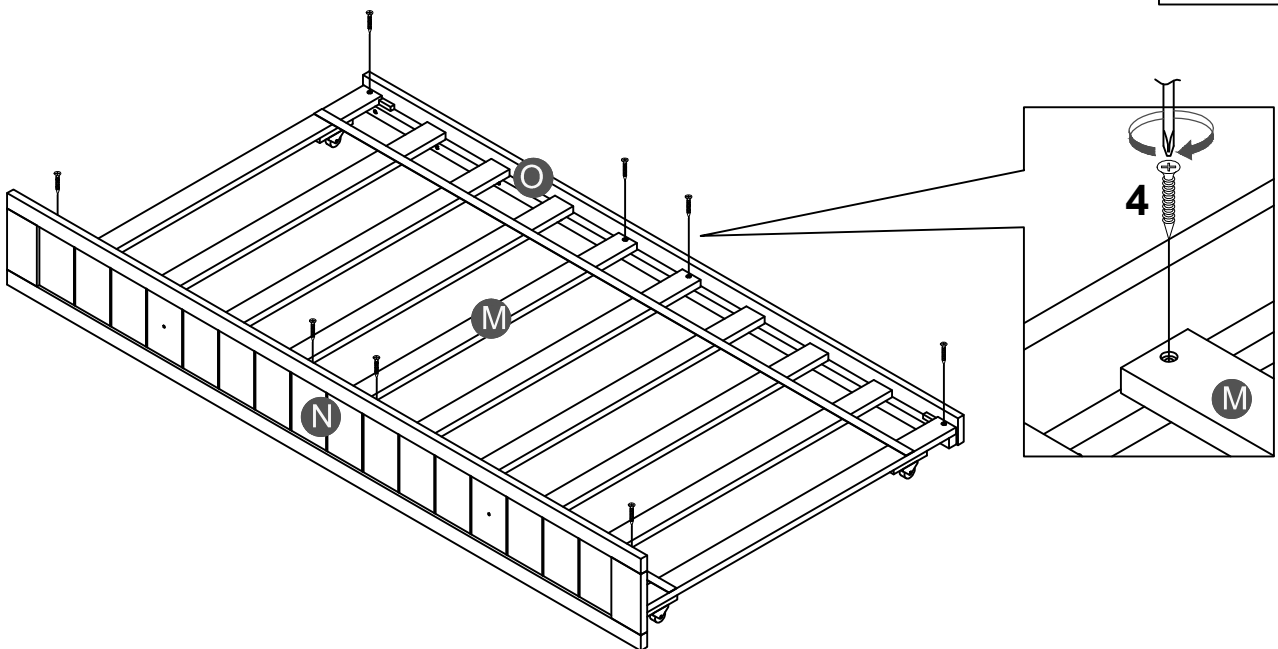
STEP 5:

5 	4 
4PCS	8PCS





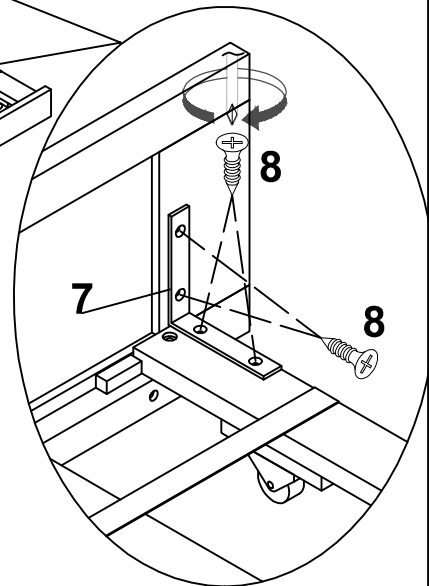
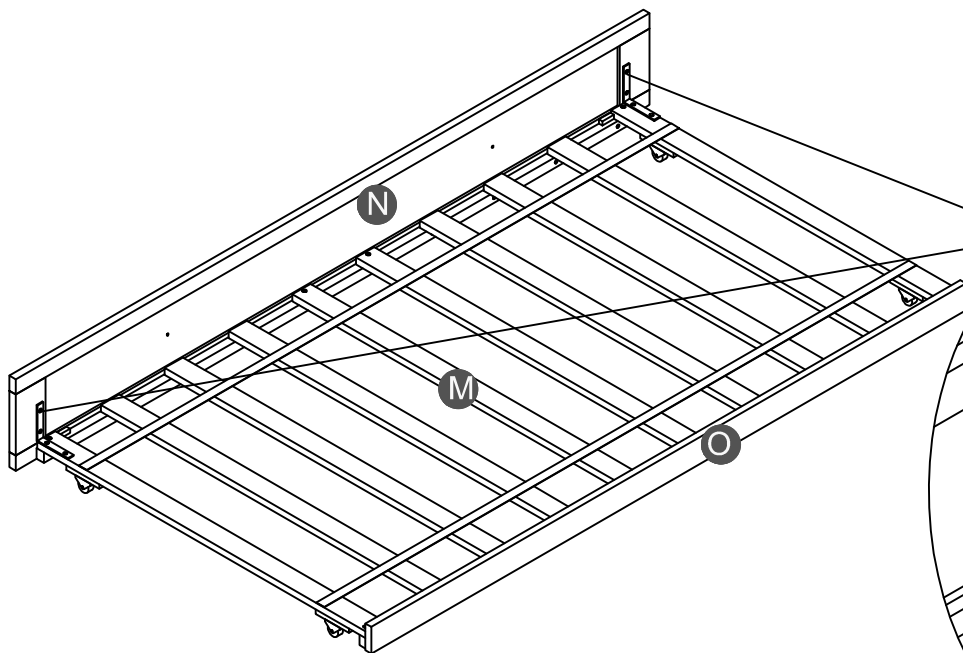
STEP 6:

4 
8PCS

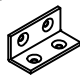



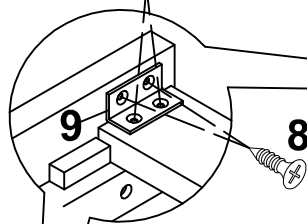
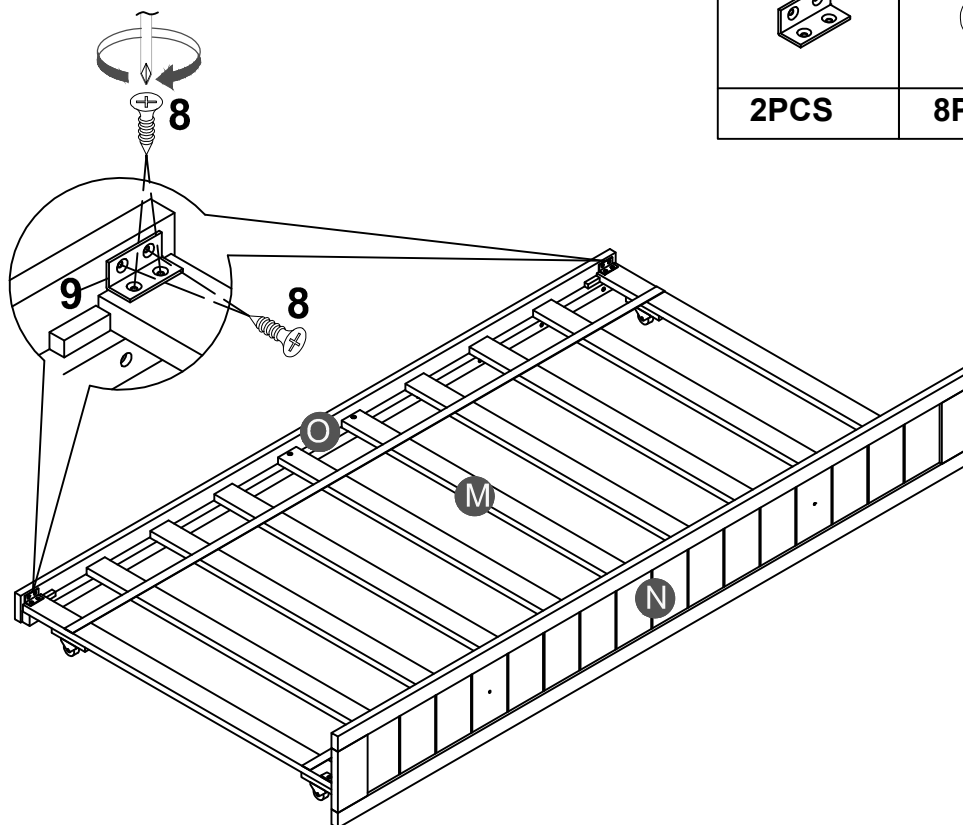
STEP 7:

7	8
	
2PCS	8PCS

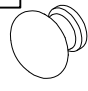



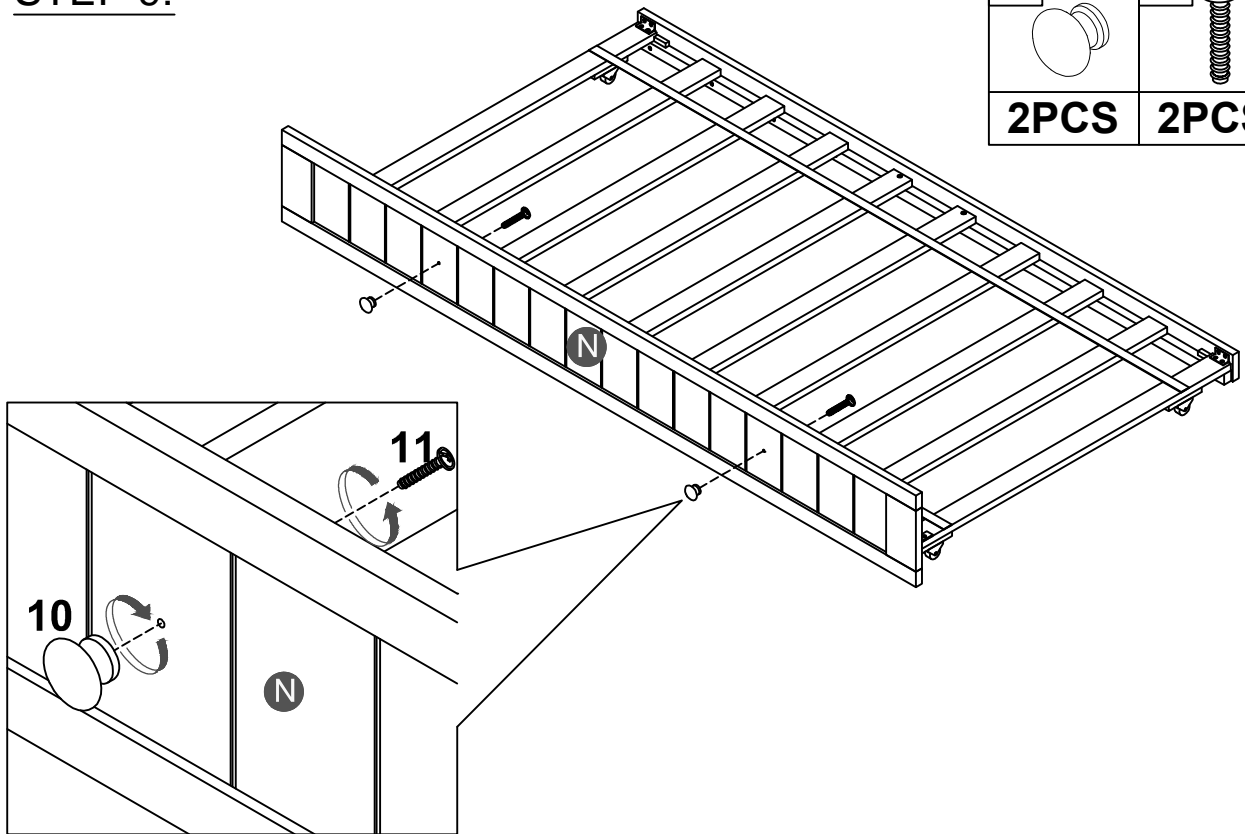
STEP 8:

9	8
	
2PCS	8PCS

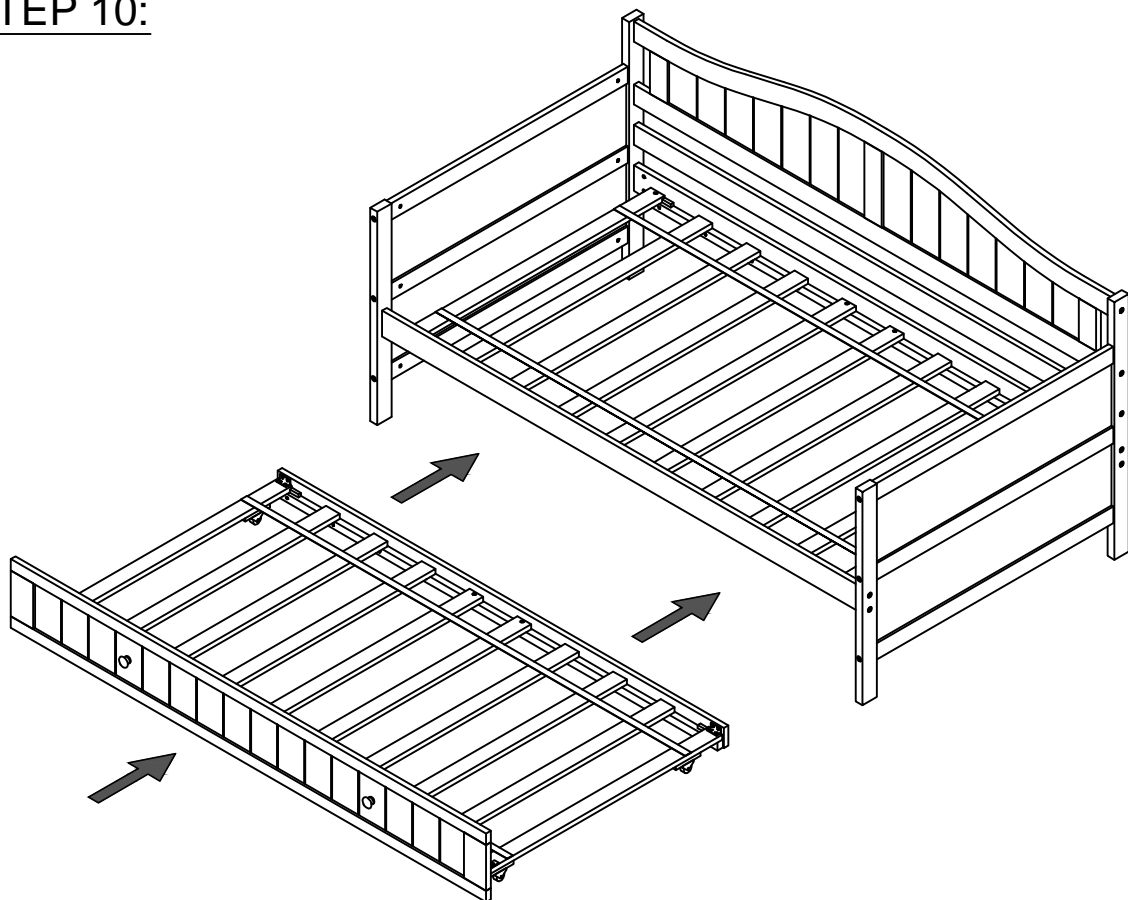


STEP 9:

10		11	
2PCS		2PCS	



STEP 10:



Push Trundle under the bottom of Day Bed.