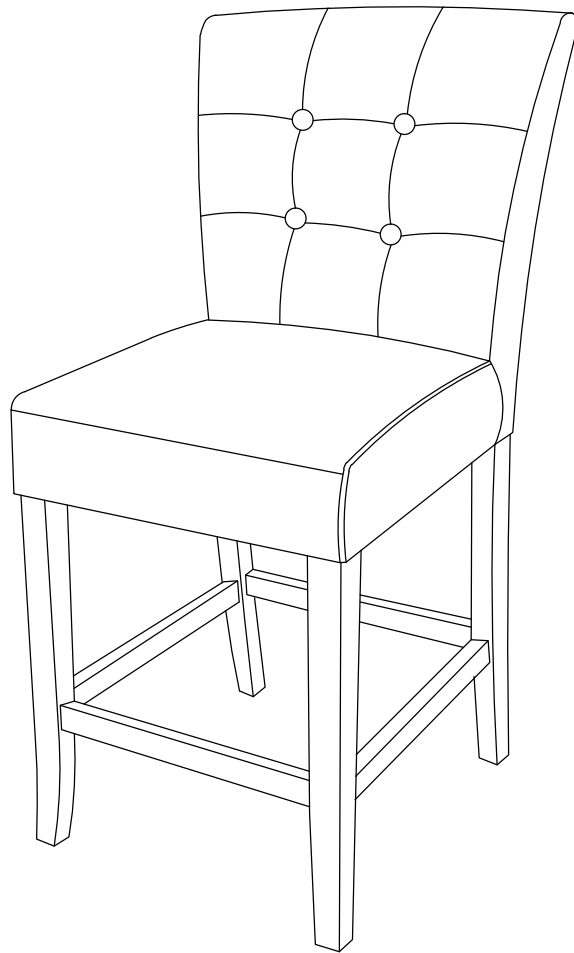
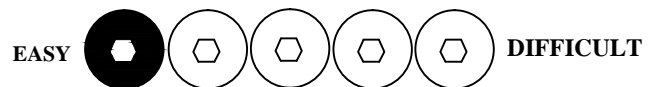


ASSEMBLY INSTRUCTION









ASSEMBLY RATING

The Assembly Rating is a 5-point system that shows the degree of effort needed in assembling a specific product (with 1 being easy and 5 being relatively difficult). For some products, two persons are recommended.

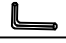






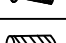


Do not tighten screws until completely assembled.

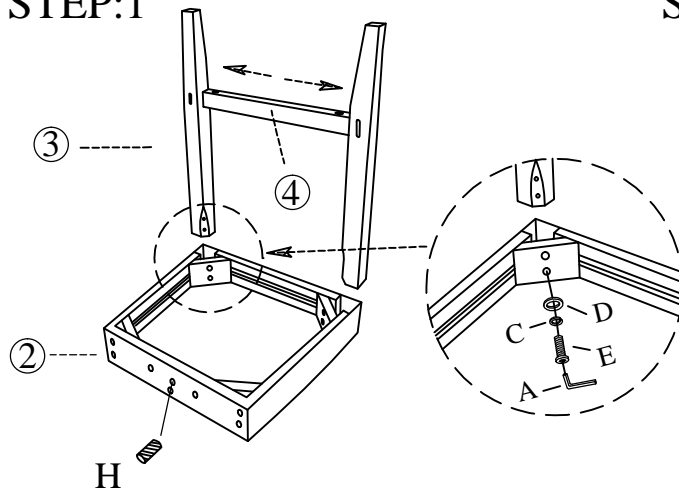
PARTS IDENTIFICATION

NO	Part	Sketch	Quantity
1	Back		1PC
2	Seat Frame		1PC
3	Front Legs		2PCS
4	Front Stretcher		1PC
5	Left Stretcher		1PC
6	Right Stretcher		1PC

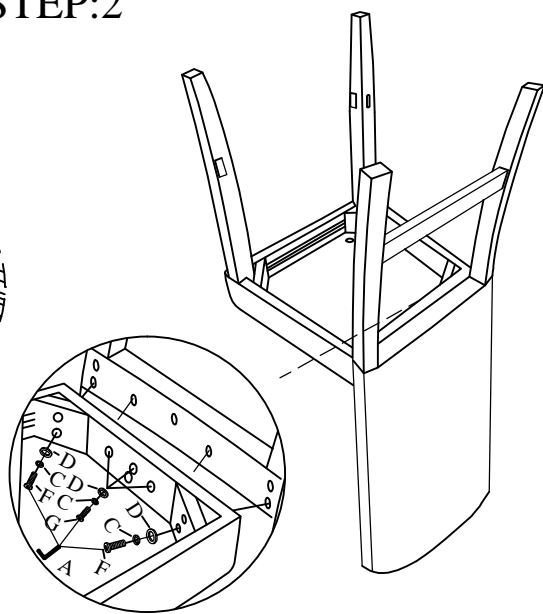
HARDWARE LIST

NO	Shape	Specification	Quantity
A		Allen Wrench	1PC
B		(8#x1-1/2")	6PCS
C		(5/16")	11PCS
D		(5/16"x22MM)	11PCS
E		(5/16"x2-1/2")	4PCS
F		(5/16"x3-1/2")	4PCS
G		(5/16"x2-1/4")	3PCS
H		(10*35MM)	1PC

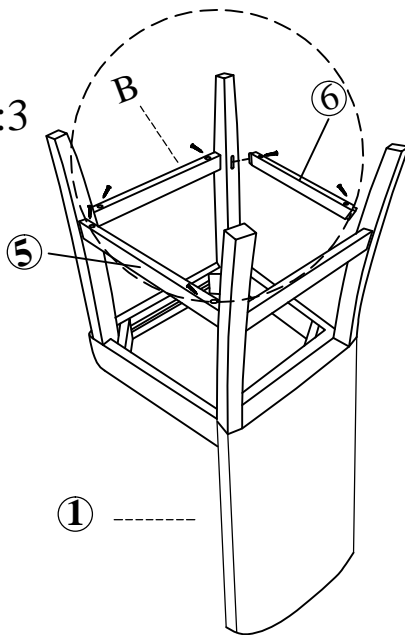
STEP:1



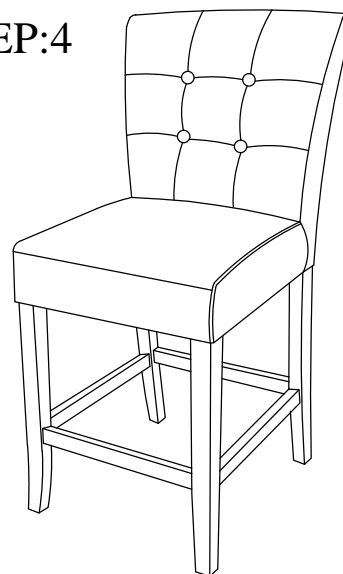
STEP:2



STEP:3



STEP:4



Do not tighten screws until completely assembled.