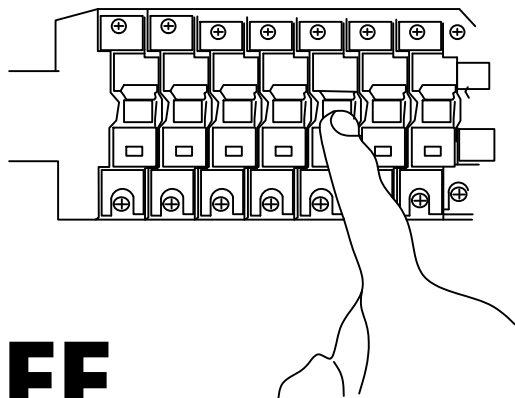


Installation sequence

1

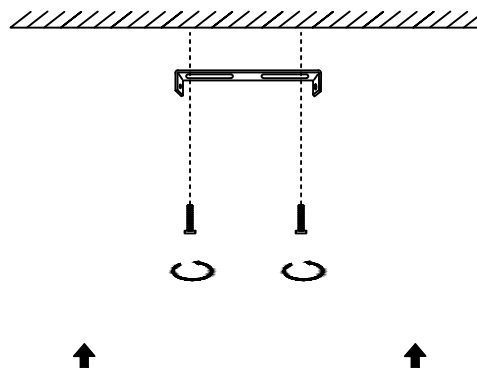


OFF

STEPS

Turn off the power

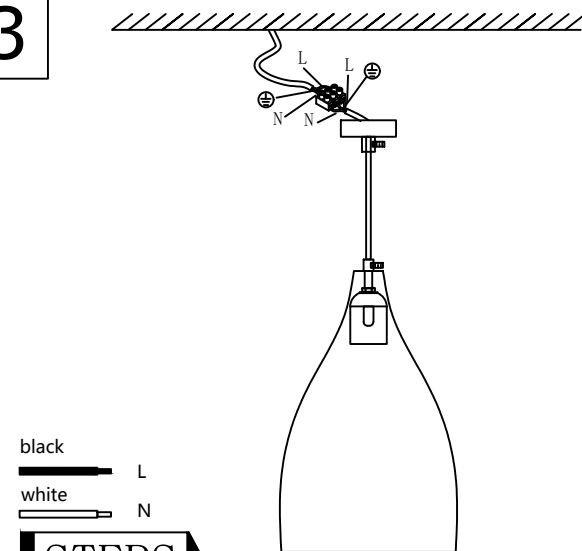
2



STEPS

1. Lift the ceiling plate of the whole lamp to the hole of the
2. hanging plate, and fix it with screws

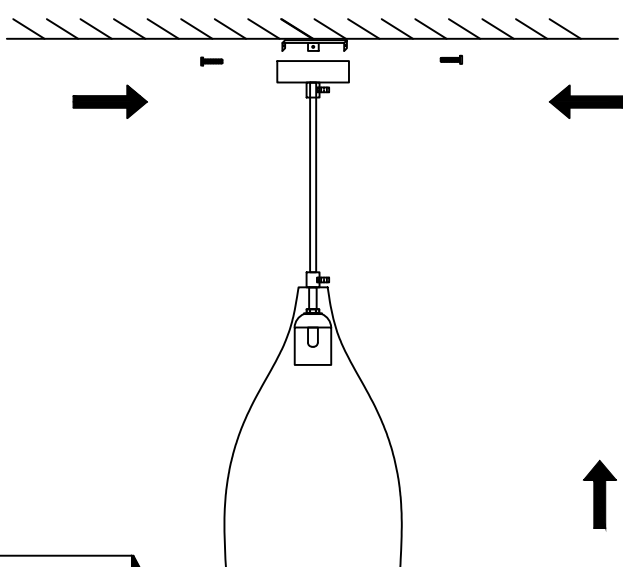
3



STEPS

1. Connect the power cord of the lamp body to the reserved Power cord, pay attention to the positive and negative poles

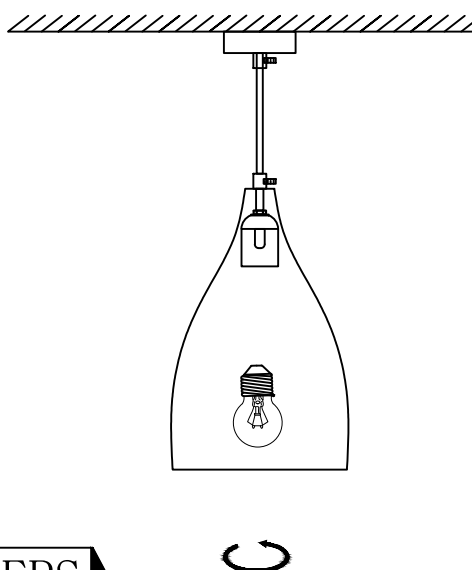
4



STEPS

Fix the lamp body on the ceiling plate with screws

5



STEPS

The installation is complete

Advertencia:

1. Lamp holder requirements : E26 ~ 50 / 60Hz
2. For indoor use only
3. Please professionally install to prevent the risk of electric shock
4. Before installation, check whether
5. Please cut off the power before installation Supply to prevent leakage
6. Be sure to follow the installation instructions to install