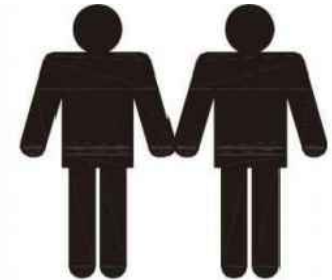
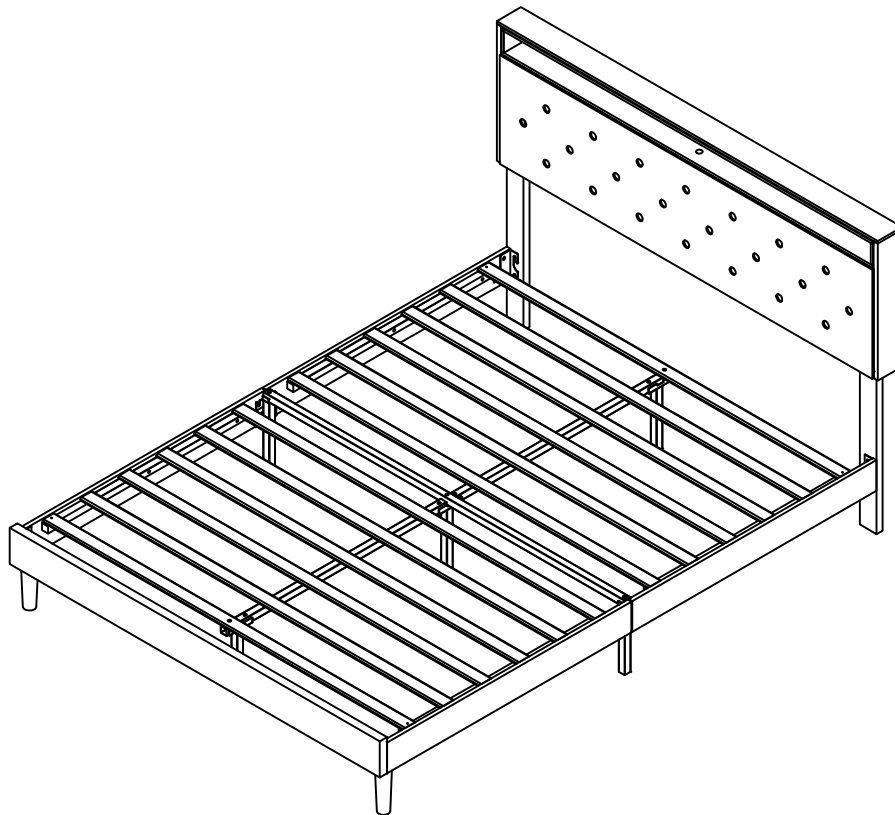


Assembly Instruction

Note:

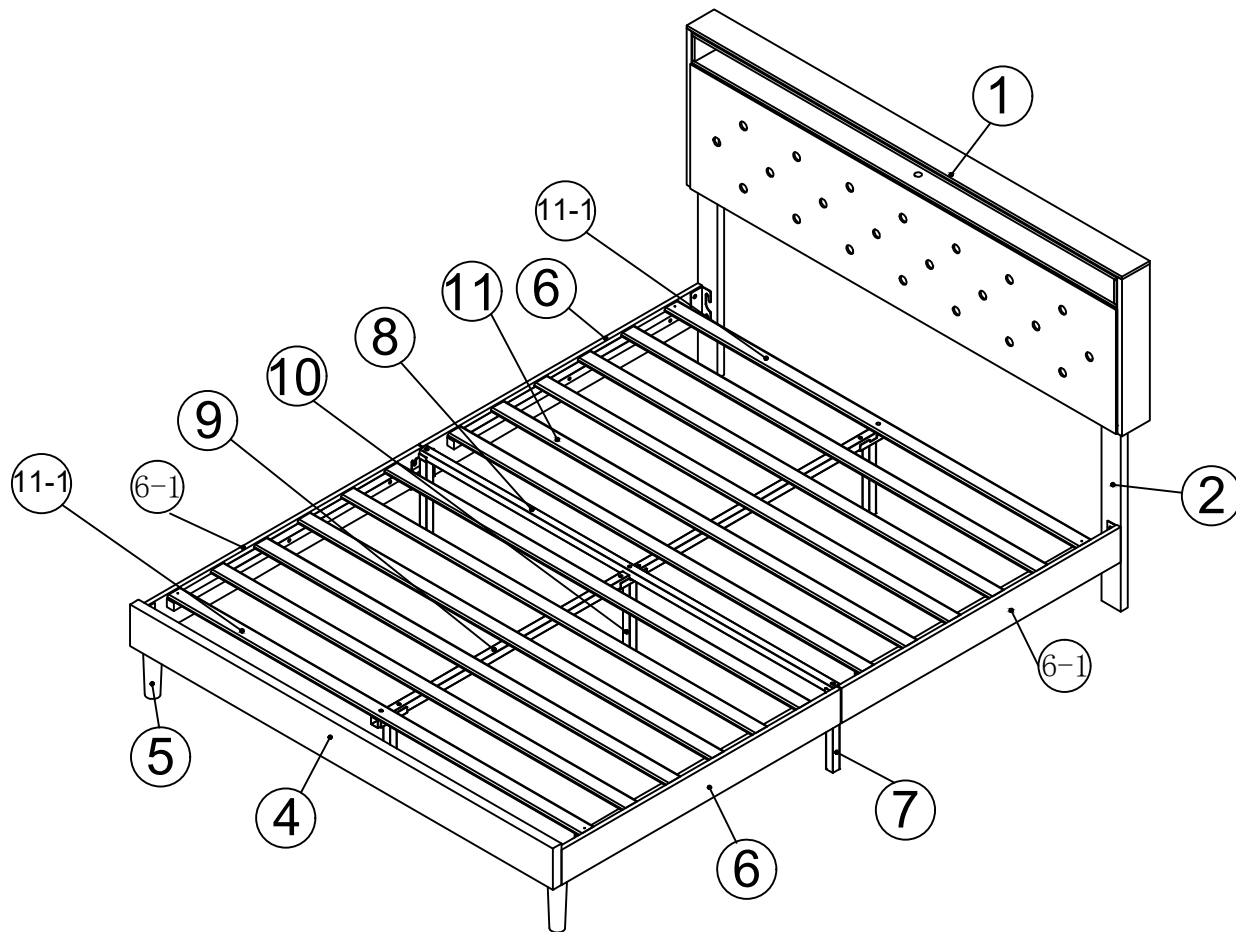
1. Should be assembled on flat ground to keep balance.
2. Before completing the installation, do not tighten the screws.



It needs at least two people to install.






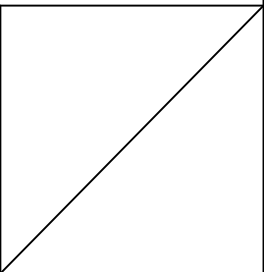


Before starting the assembly, you must read the whole manual and follow the instructions.

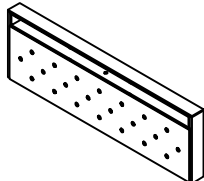
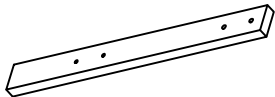
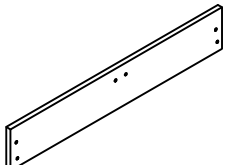

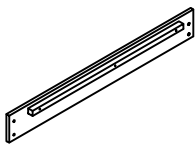
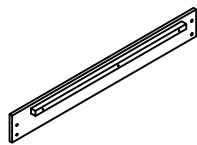

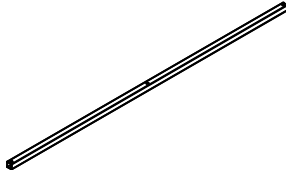

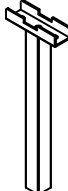
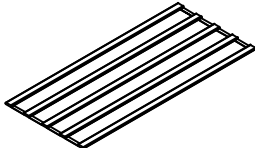
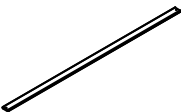
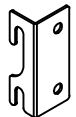
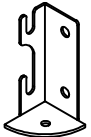
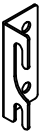
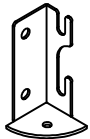
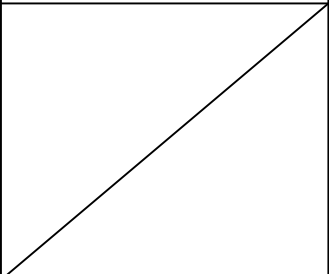


Assembly Instruction



Hardware arts

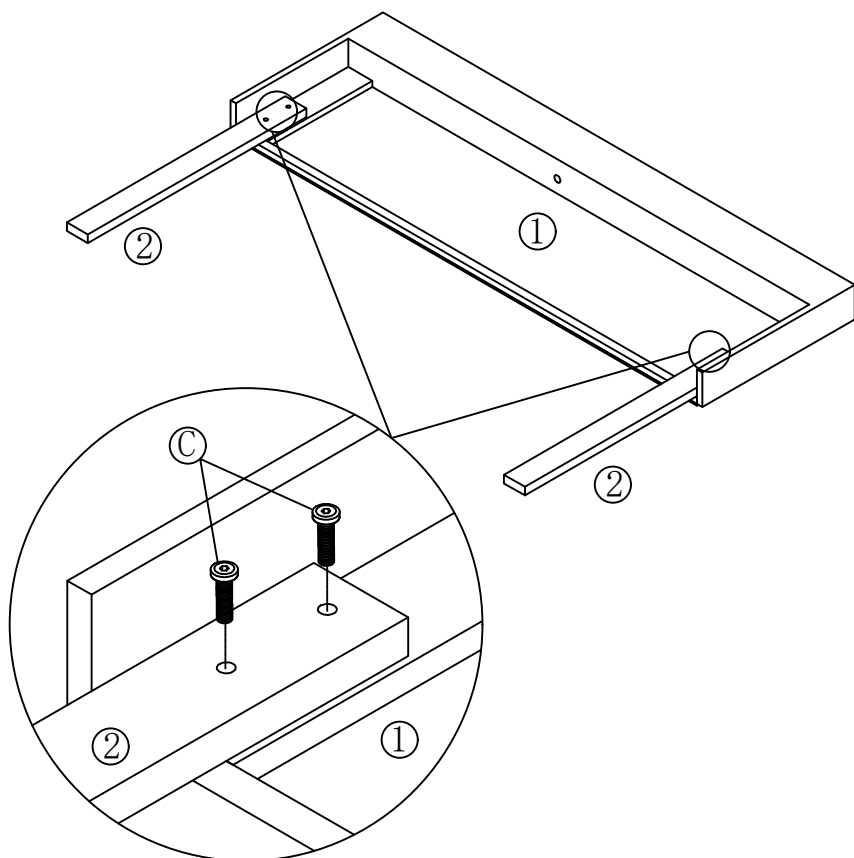
 <p>Ⓐ M8x15 24pcs</p>	 <p>Ⓑ M8x35 6pcs</p>	 <p>Ⓒ M8x45 7pcs</p>	 <p>Ⓓ ϕ4x25 4pcs</p>	 <p>Ⓔ 4 # 1pc</p>	
--	---	--	---	--	---



Part list

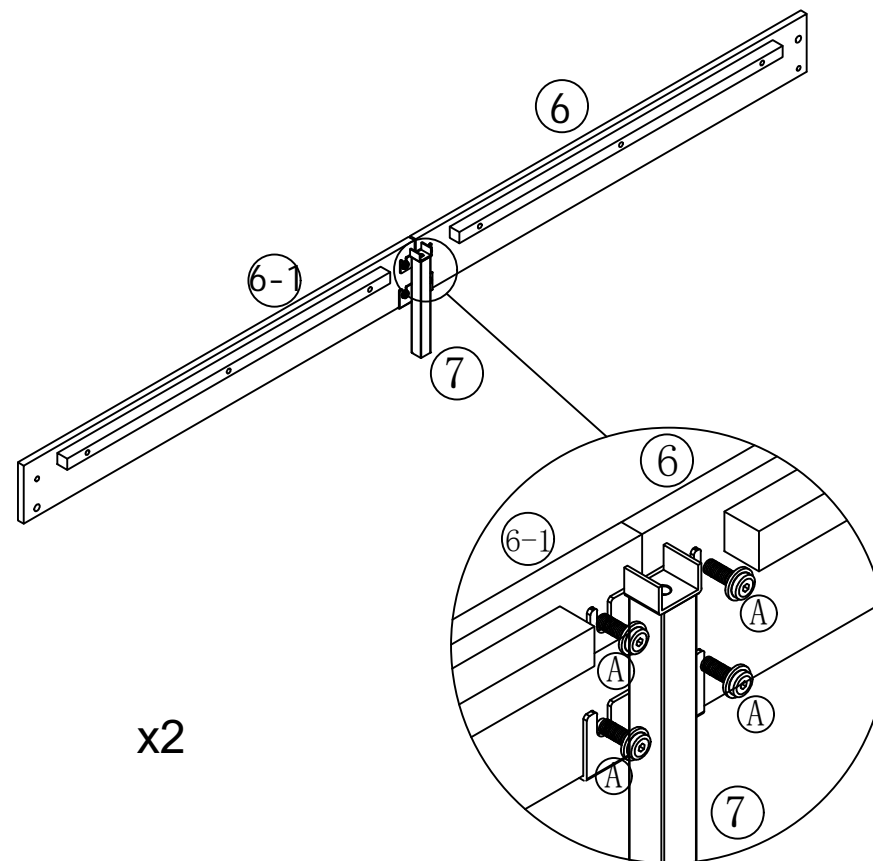
 <p>Ⓛ 1 PC</p>	 <p>Ⓜ 2 PCS</p>	 <p>Ⓨ 1 PC</p>	 <p>Ⓩ 2 PCS</p>	 <p>ⓐ 2 PCS</p>	 <p>ⓐ-1 2 PCS</p>
 <p>ⓑ 2 PCS</p>	 <p>ⓓ 1 PC</p>	 <p>ⓔ 2 PCS</p>	 <p>ⓕ 3 PCS</p>	 <p>ⓖ 2 PCS</p>	 <p>ⓖ-1 2 PCS</p>
 <p>ⓗ 1 PC</p>	 <p>ⓗ-1 1 PC</p>	 <p>ⓘ 1 PC</p>	 <p>ⓘ-1 1 PC</p>		<p>Page 3/8</p>

Assembly Instruction

C	 M8x45	4pcs
E		1pc





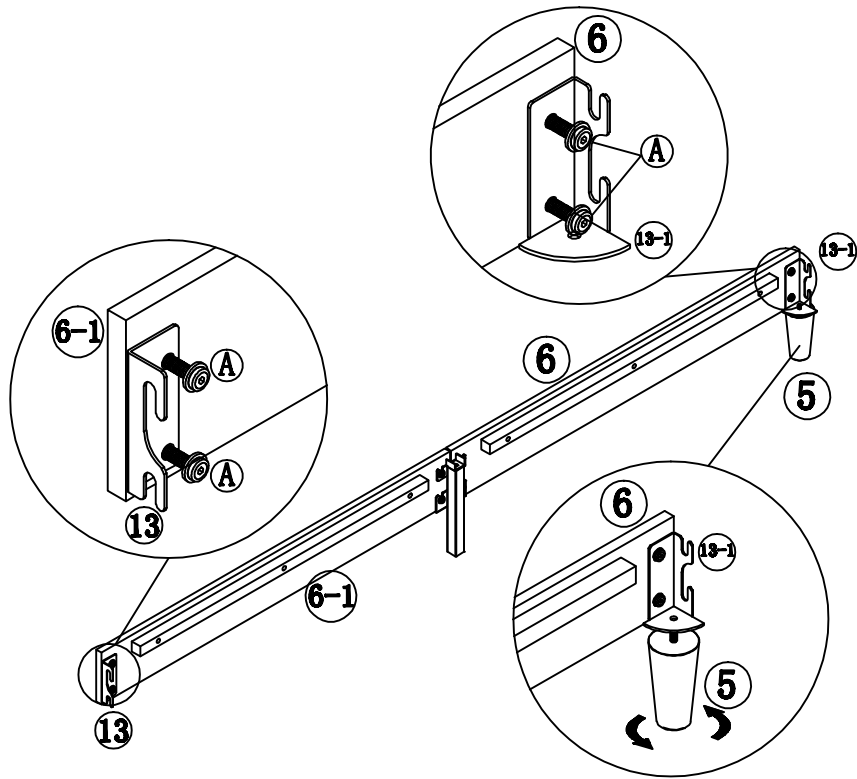
A	 M8x15	8pcs
E		1pc





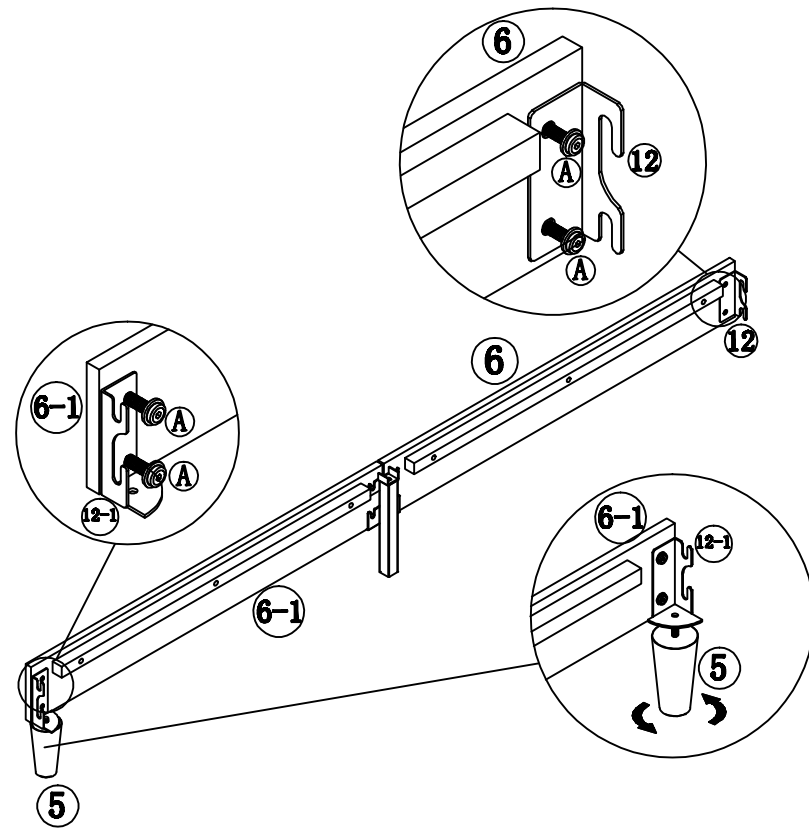
x2

Assembly Instruction



A	 M8x15	4pcs
E		1pc

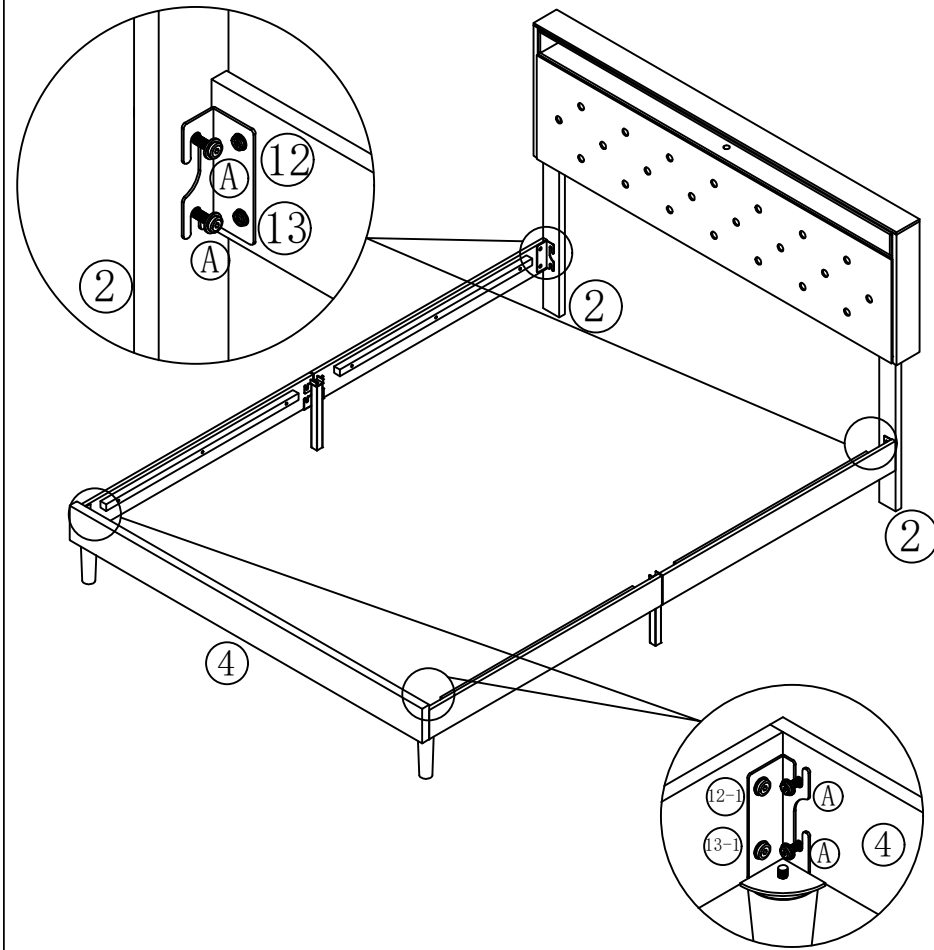





A	 M8x15	4pcs
E		1pc

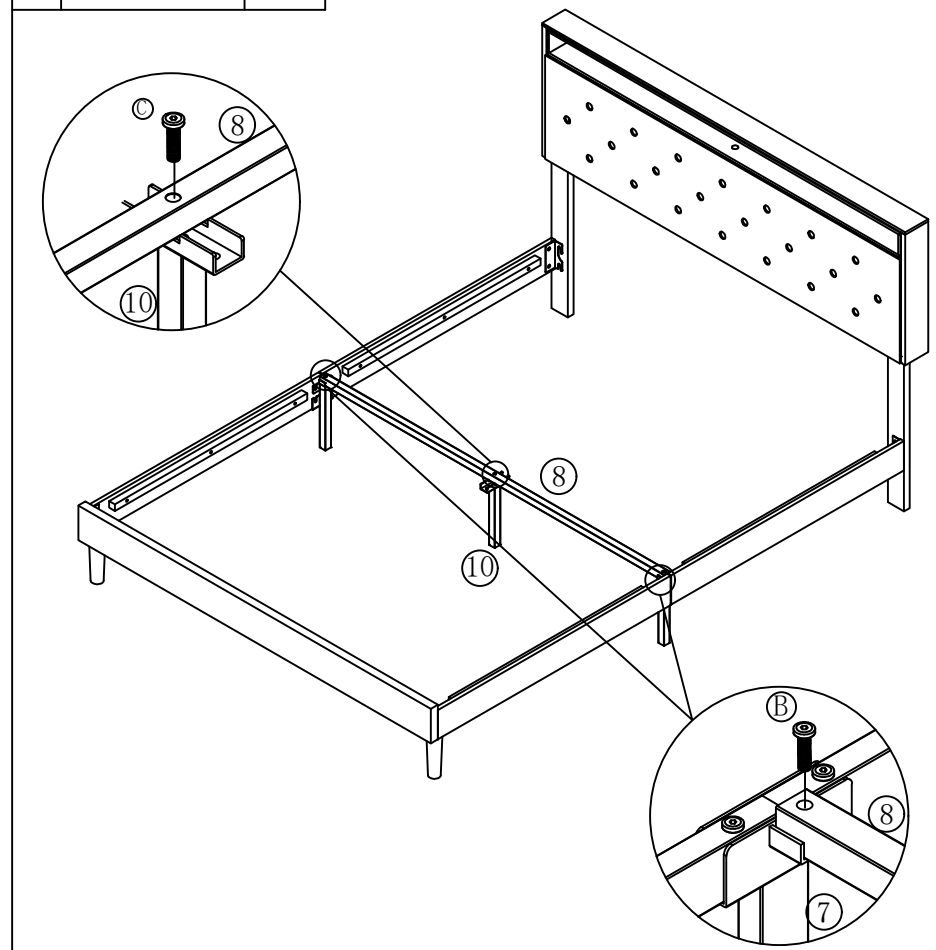


Assembly Instruction


A	 M8x15	8pcs
E		1pc





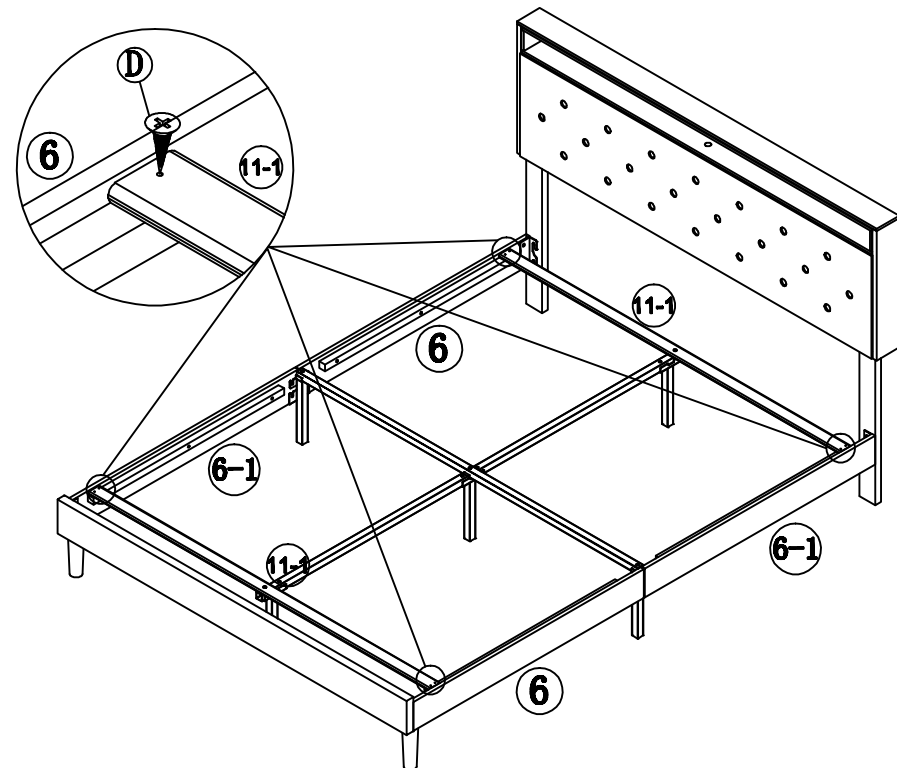
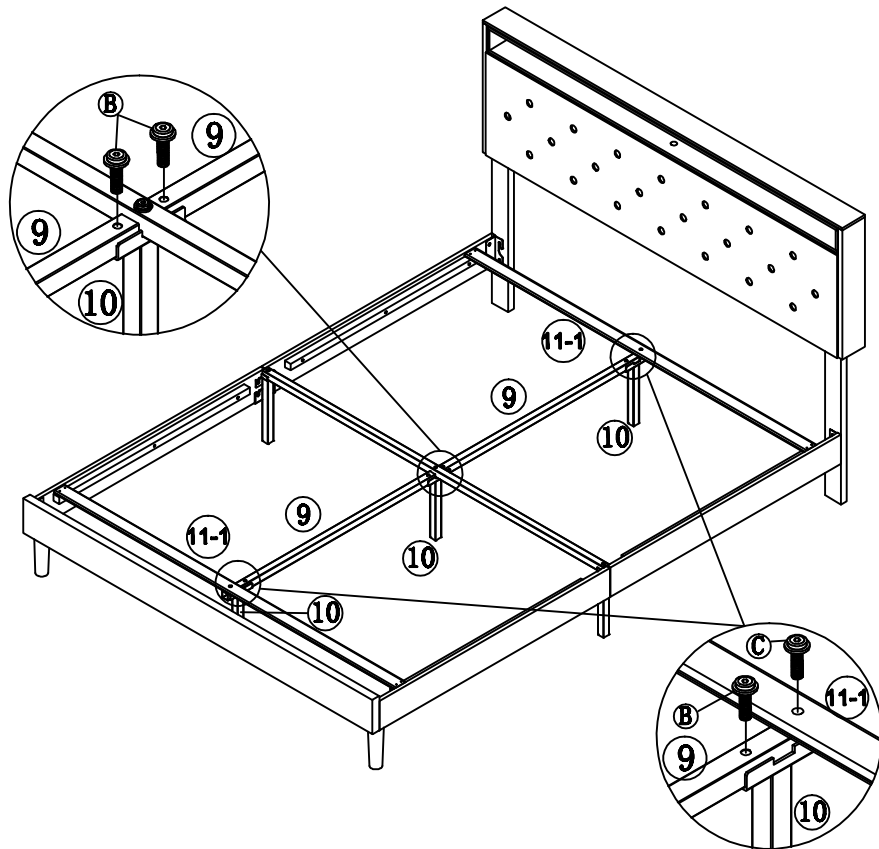
B	 M8x35	2pcs
C	 M8x45	1pc
E		1pc



Assembly Instruction

B		M8x35	4pcs
C		M8x45	2pcs
E			1pc

A		□4x25	4pcs
E			1pc



Assembly Instruction

