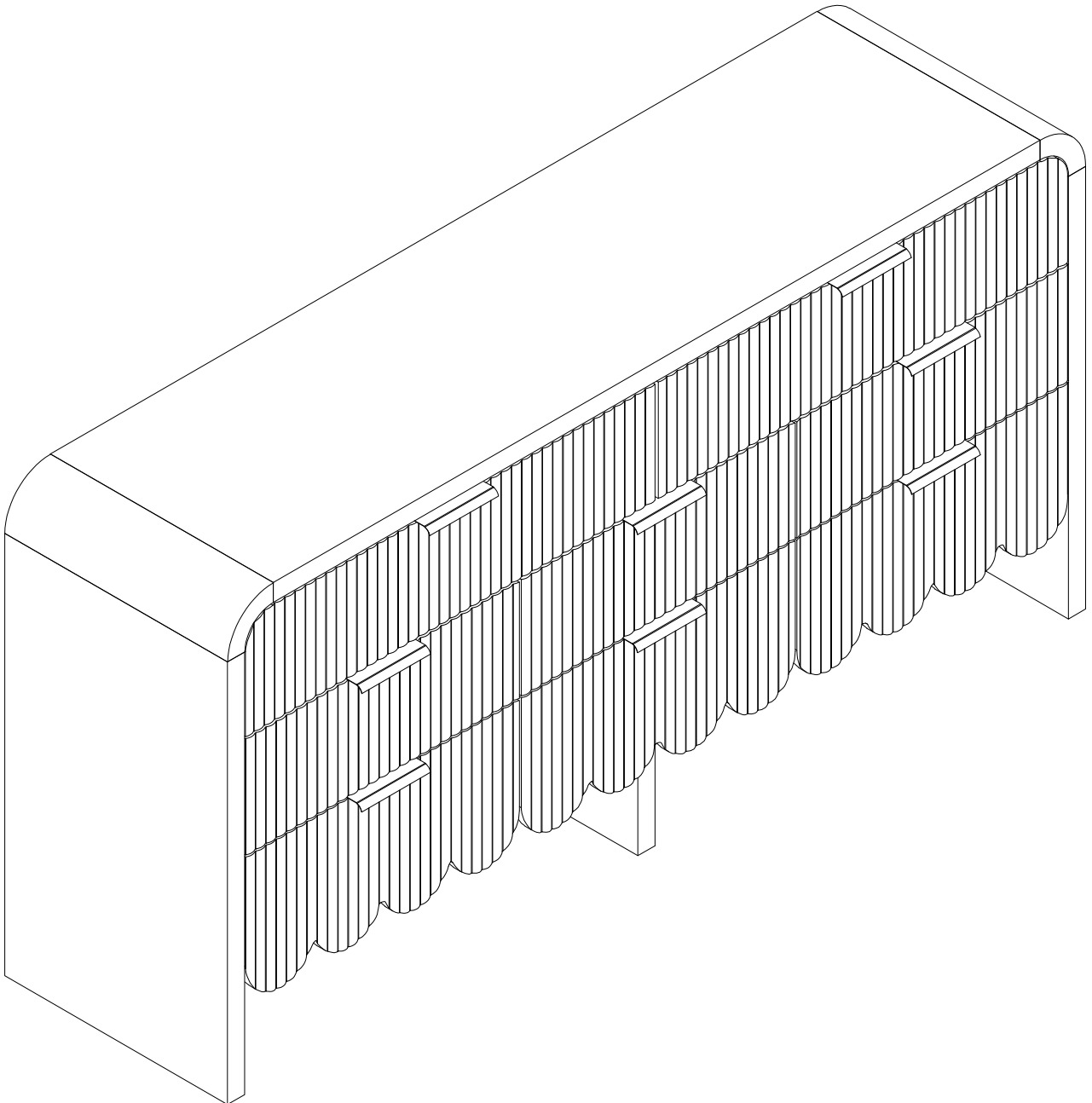


Installation Instruction



Product name

8 Drawer Cabinet

Ver.1.0 20250805

- Do not use power tools to assemble your furniture. Power tools may strip or damage the parts.



Friendly Reminder:

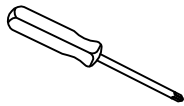
Assembling with damaged panels may affect after-sales service. Please check the integrity of all panels before assembly. If any damage is found:

- ✓ Take photos of the damaged area from multiple angles (preferably under natural light)
- ✓ Keep all packaging materials
- ✓ Do not assemble the product and contact online customer service immediately

Assembling

What you need

- Use the packaging carton as a working surface to prevent product damage during assembly
- Phillips head screwdriver



Weight Limitation



50



22



11

lbs table top lbs per sheif lbs per drawer



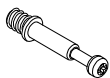
2 PERSONS

What ' s included

Code	Description	Qty
A	Cam Bolt Ø6X35mm	66
B	Cam Lock Ø15X10mm	66
C	Wooden Dowel Ø6X30mm	33
D	Screw M4X35mm	47
E	Screw M3X12mm	112
F	Slideway	8
G	Handle	8
H	Screw M3X16mm	6
I	Plastic Corner Support	6
J	Lock wall anti-reverse tape	2
K	EVA Leg Pad	6

The hardware

(A)



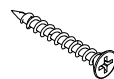
(B)



(C)



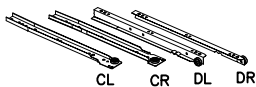
(D)



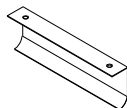
(E)



(F)



(G)



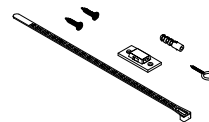
(H)



(I)



(J)



(K)



IMPORTANT:

1. Do not tighten bolts / screws completely until all bolts / screws are lined up and inserted into holes.
2. Do not over tighten screws and bolts to avoid stripping.
3. Please use hand tools to assemble this product. Do not use power tools.
4. Must need 2 people to assemble this product.

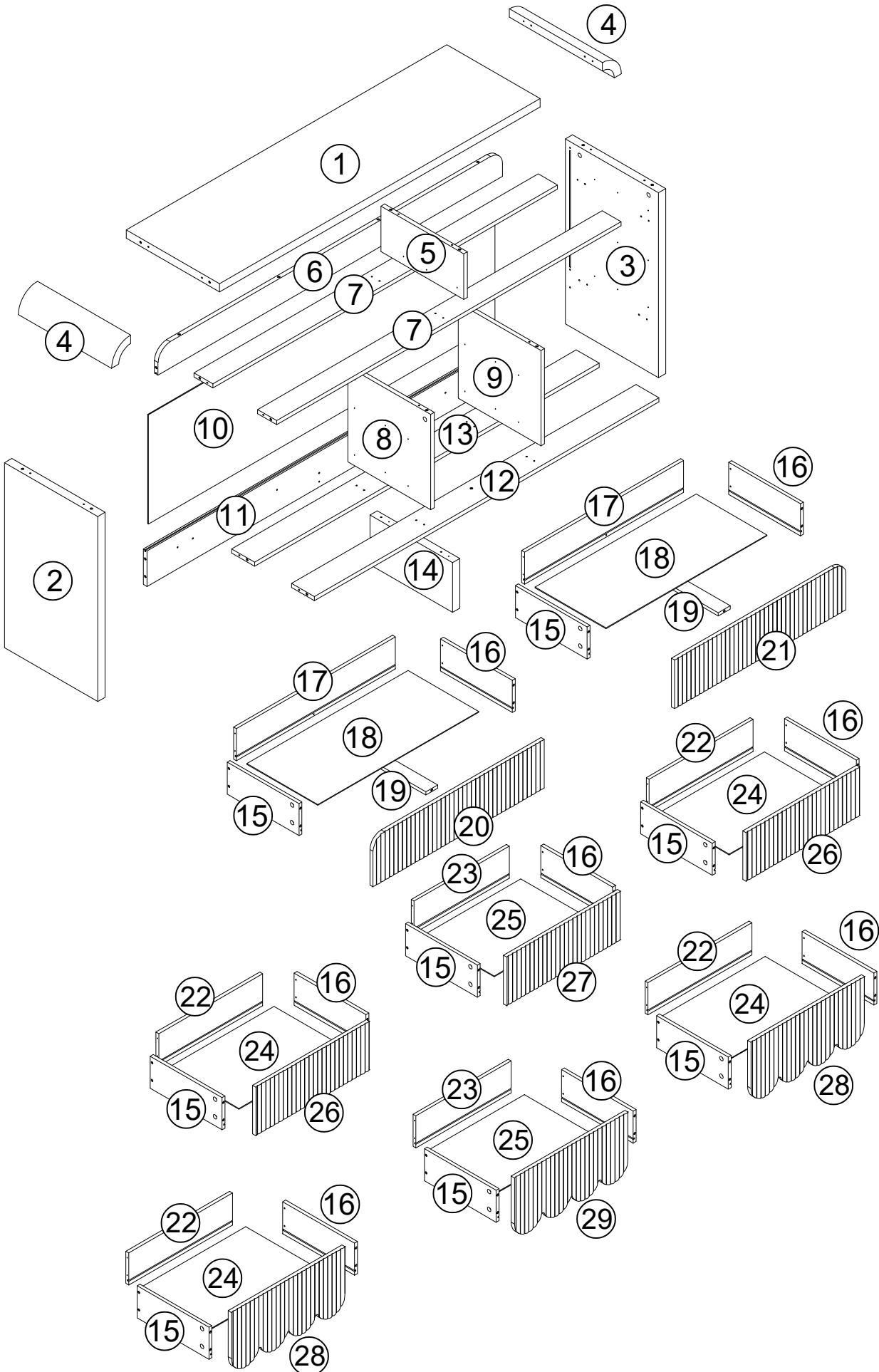


2 PERSONS


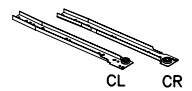
Included Accessories

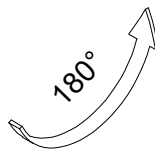
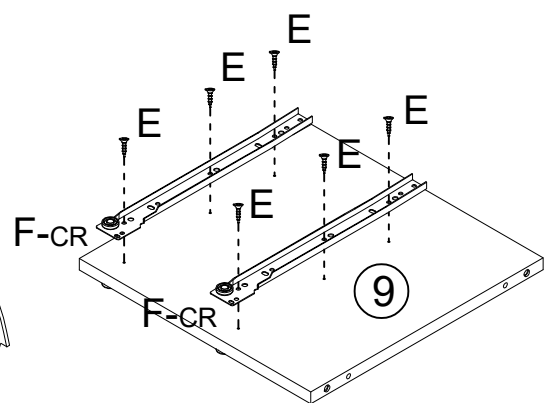
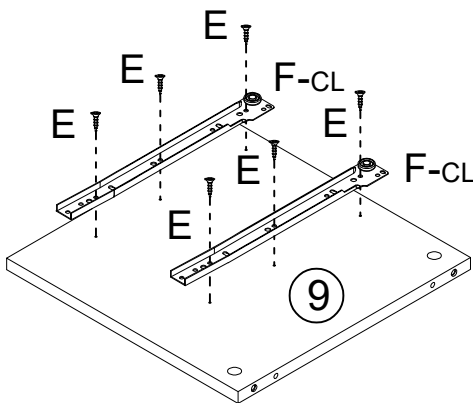
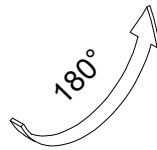
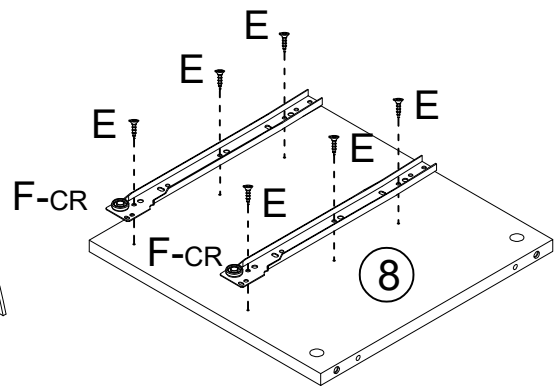
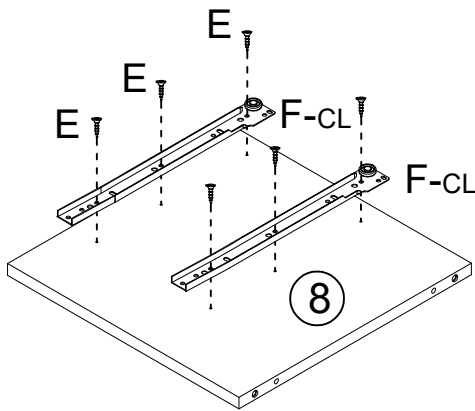
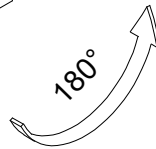
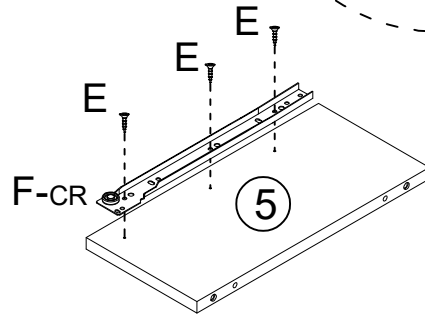
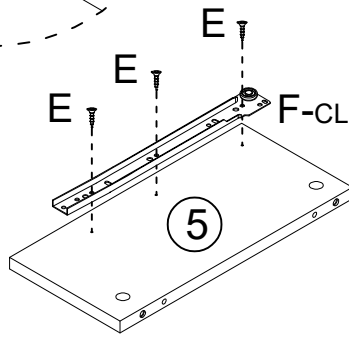
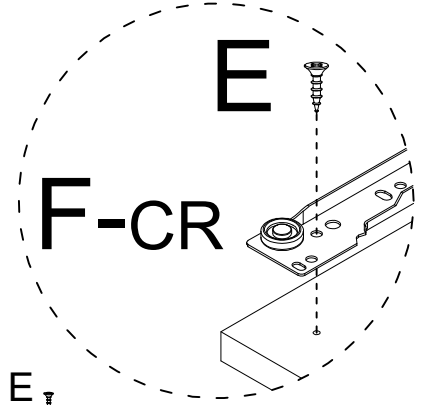
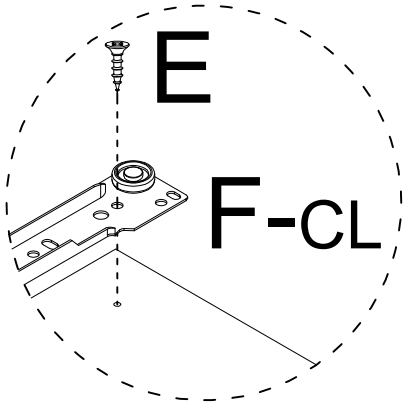
Code	Description	Qty
1	Cabinet Top	1
2	Left Side Panel	1
3	Right Side Panel	1
4	Corner Strip	2
5	Center vertical panel	1
6	Rear horizontal strip	1
7	Top Horizontal Bar	2
8	Center vertical panel	1
9	Center vertical panel	1
10	Backup Board	1
11	Bottom Back Support Bar	1
12	Bottom horizontal bar	1
13	Bottom horizontal bar	1
14	intermediate station foot	1
15	Left drawer side panel	8
16	Right drawer side panel	8
17	Drawer back panel	2
18	Drawer bottom panel	2
19	Drawer inner fixing strip	2
20	Drawer front panel	1
21	Drawer front panel	1
22	Drawer back panel	4
23	Drawer back panel	2
24	Drawer bottom panel	4
25	Drawer bottom panel	2
26	Drawer front panel	2
27	Drawer front panel	1
28	Drawer front panel	2
29	Drawer front panel	1

The Accessories

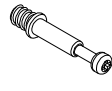

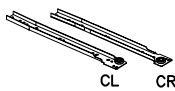



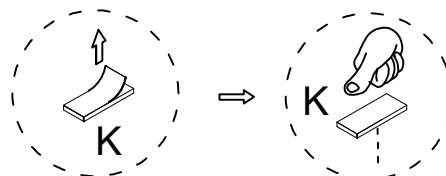
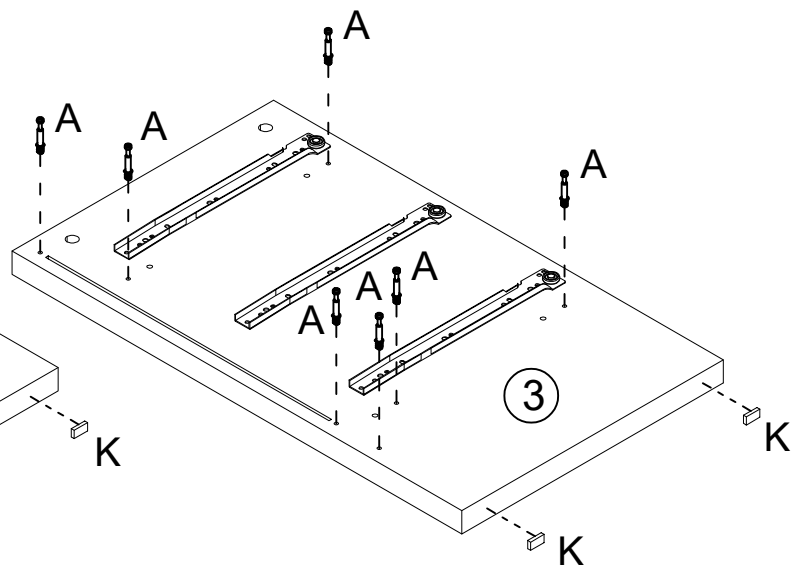
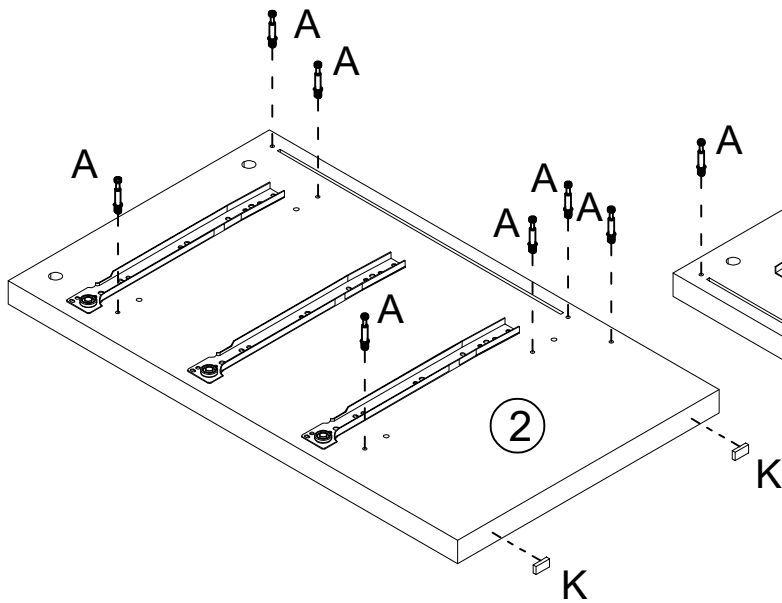
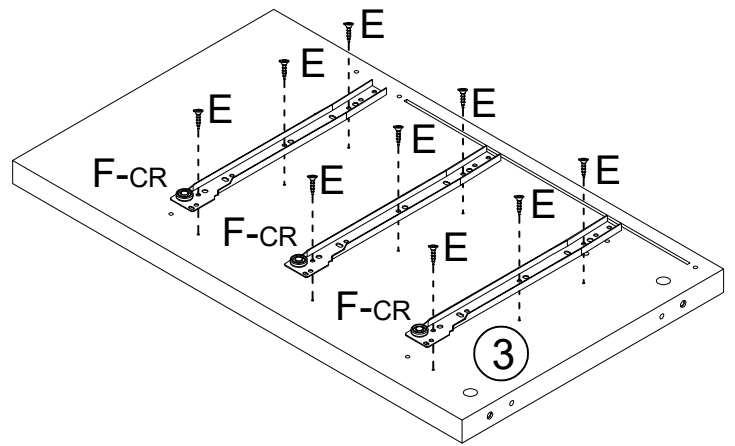
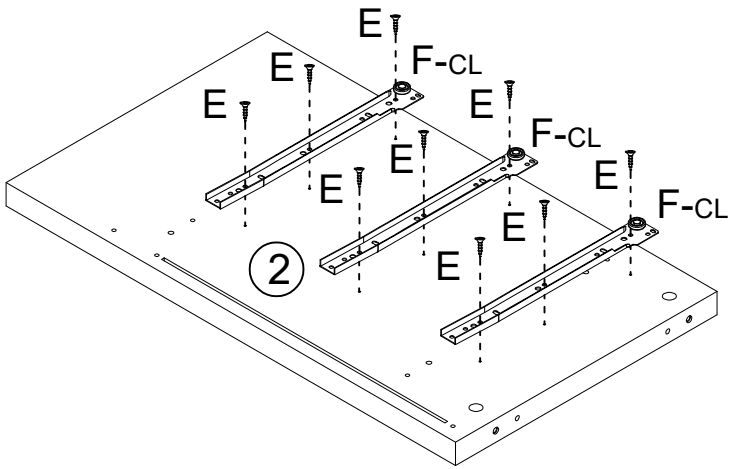
Step 1

			
E	x30	F	x5

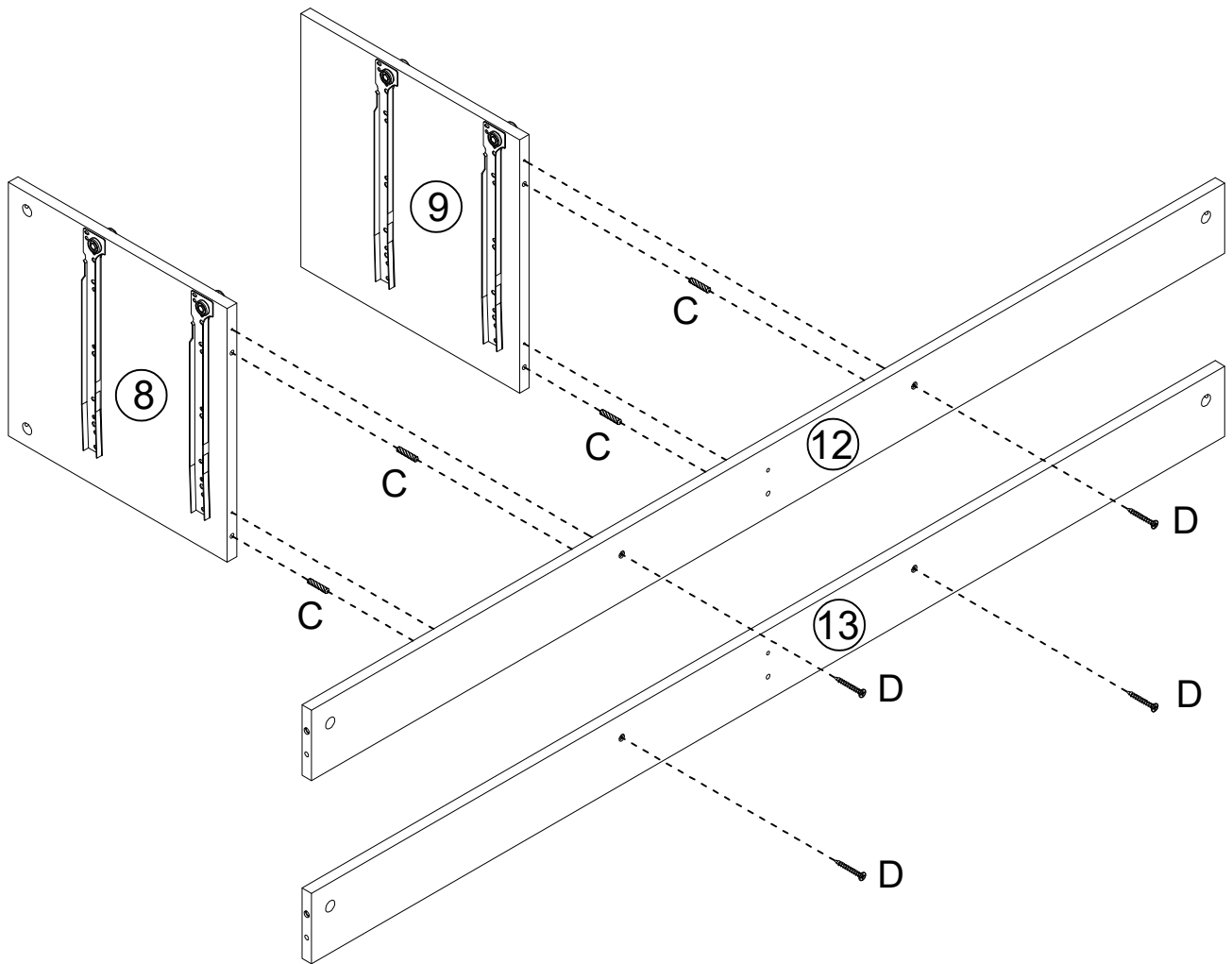
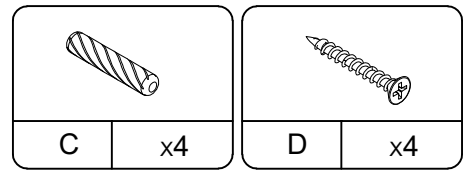


Step 2


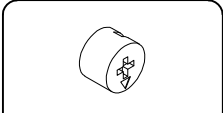
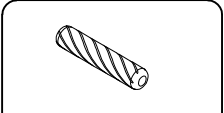
							
A	x14	E	x18	F	x3	K	x4

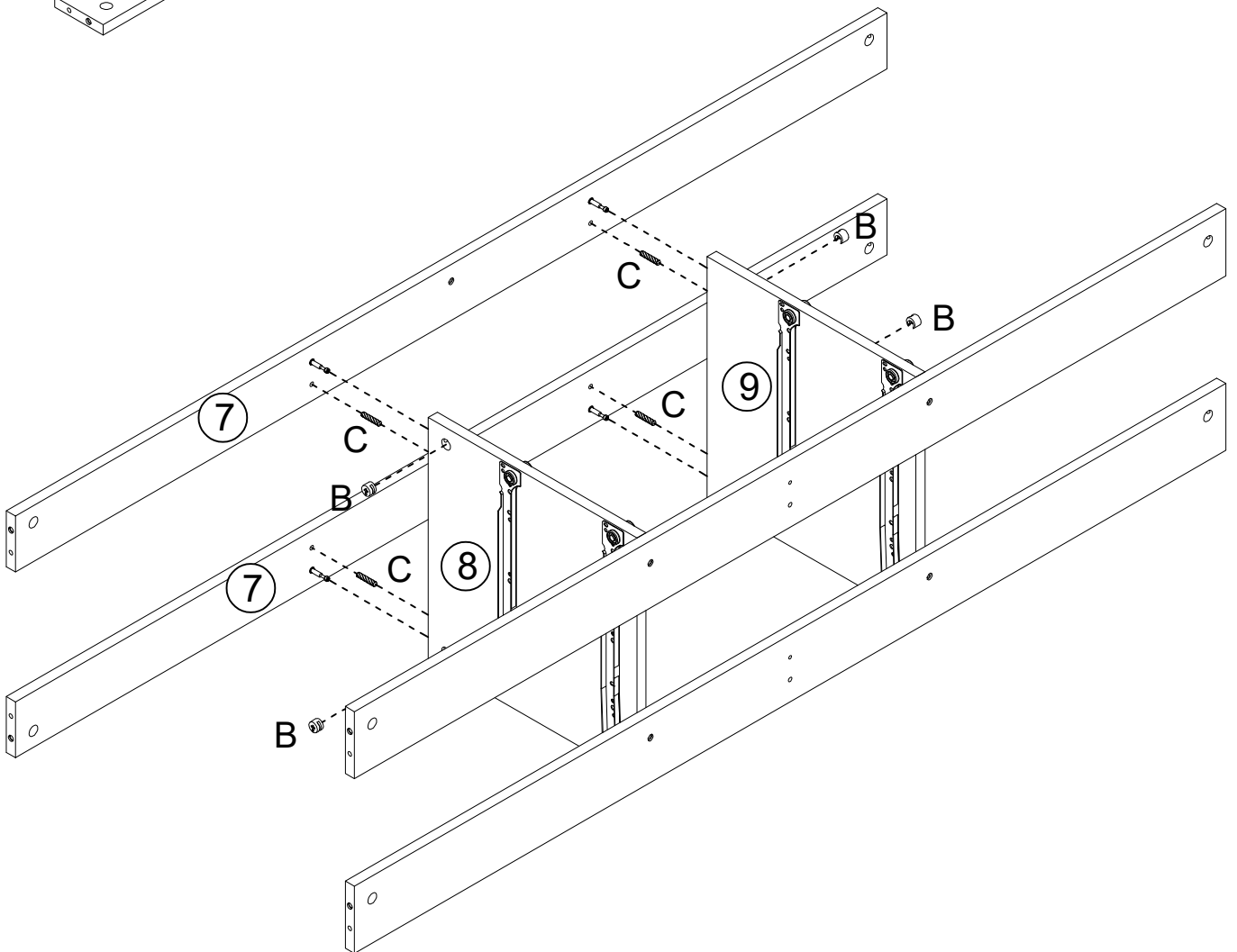
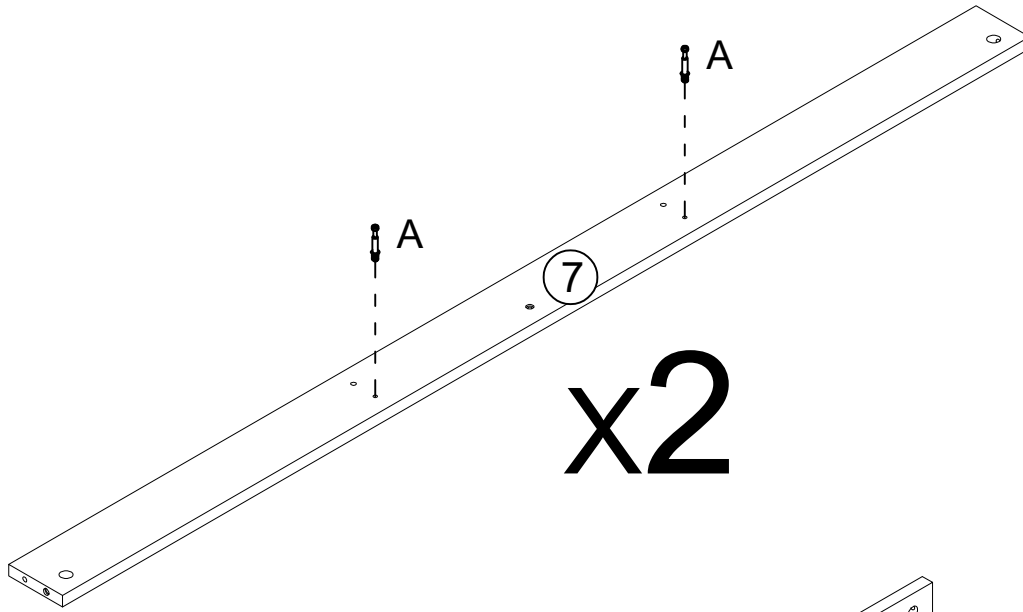


Step 3

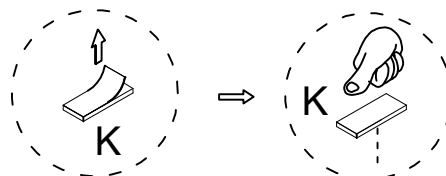
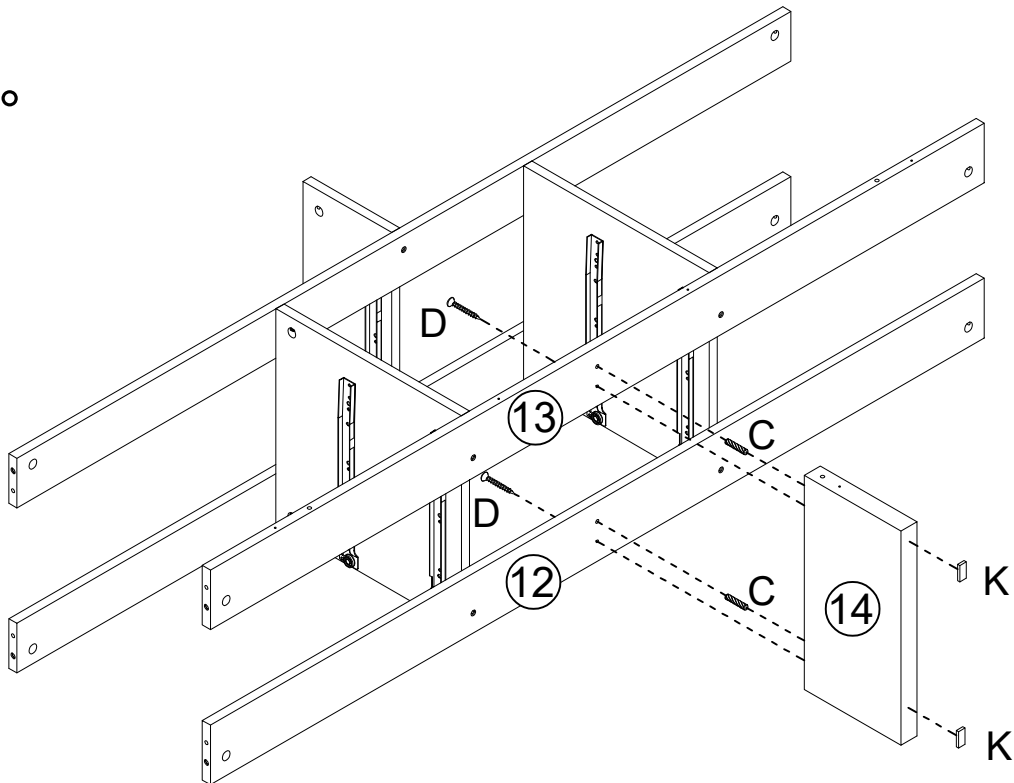
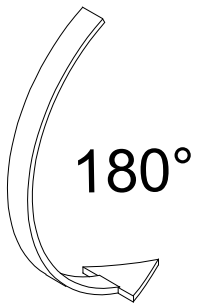
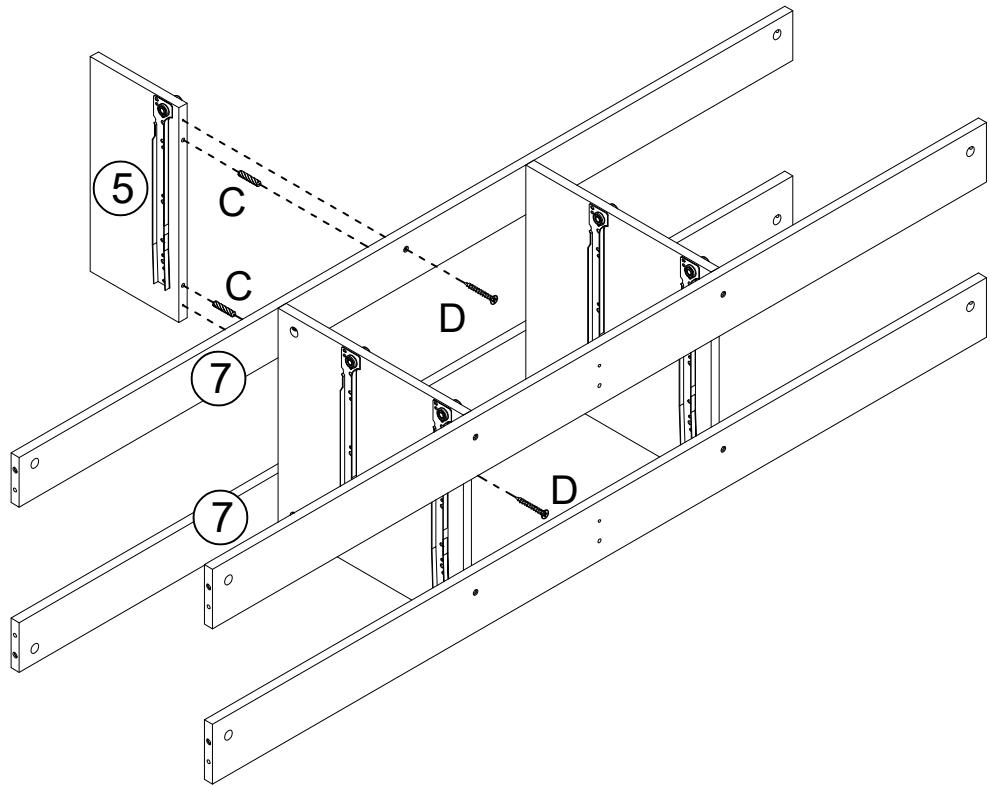
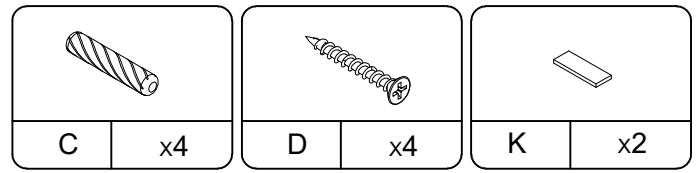


Step 4


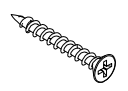
					
A	x4	B	x4	C	x4

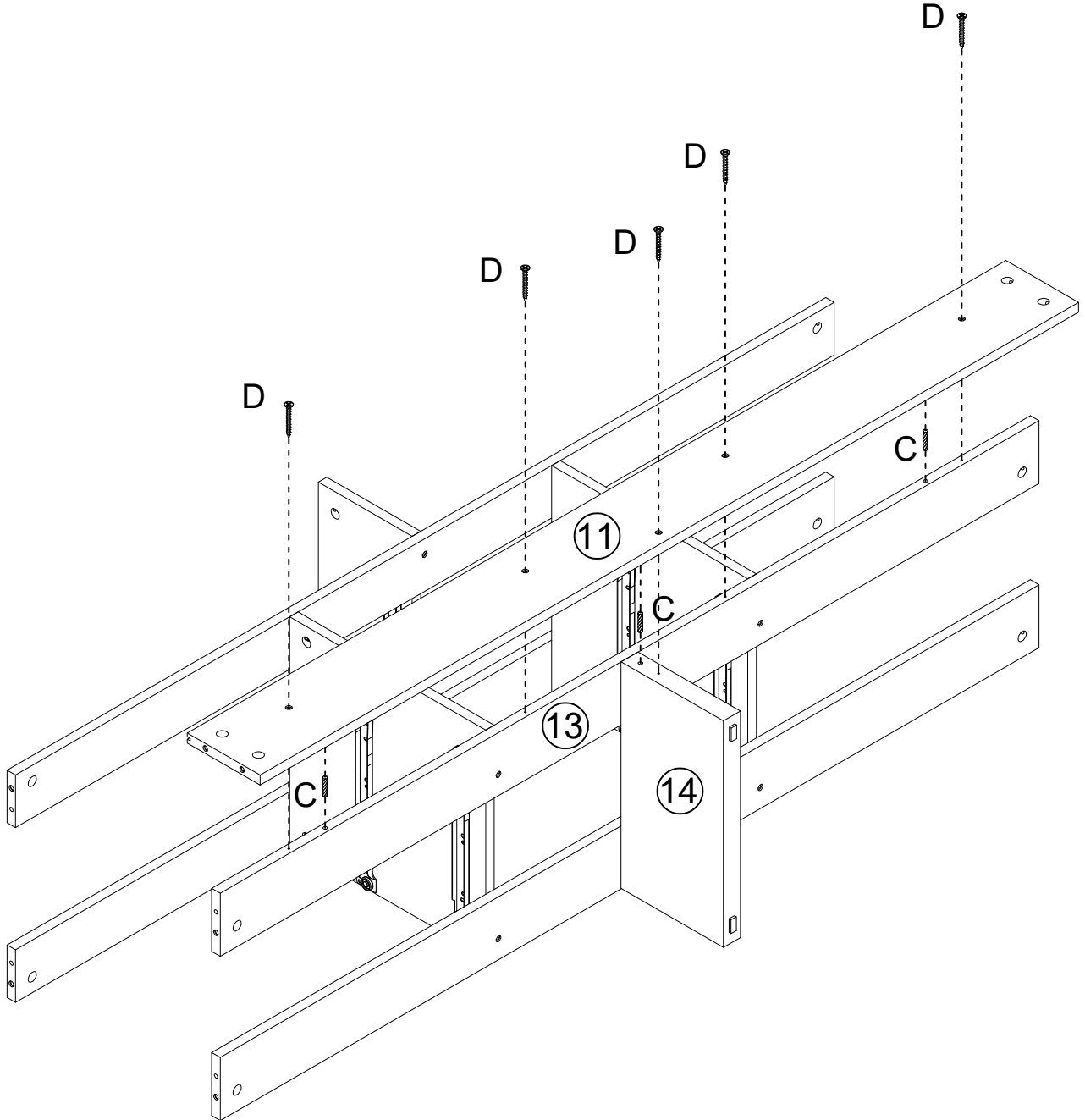


Step 5

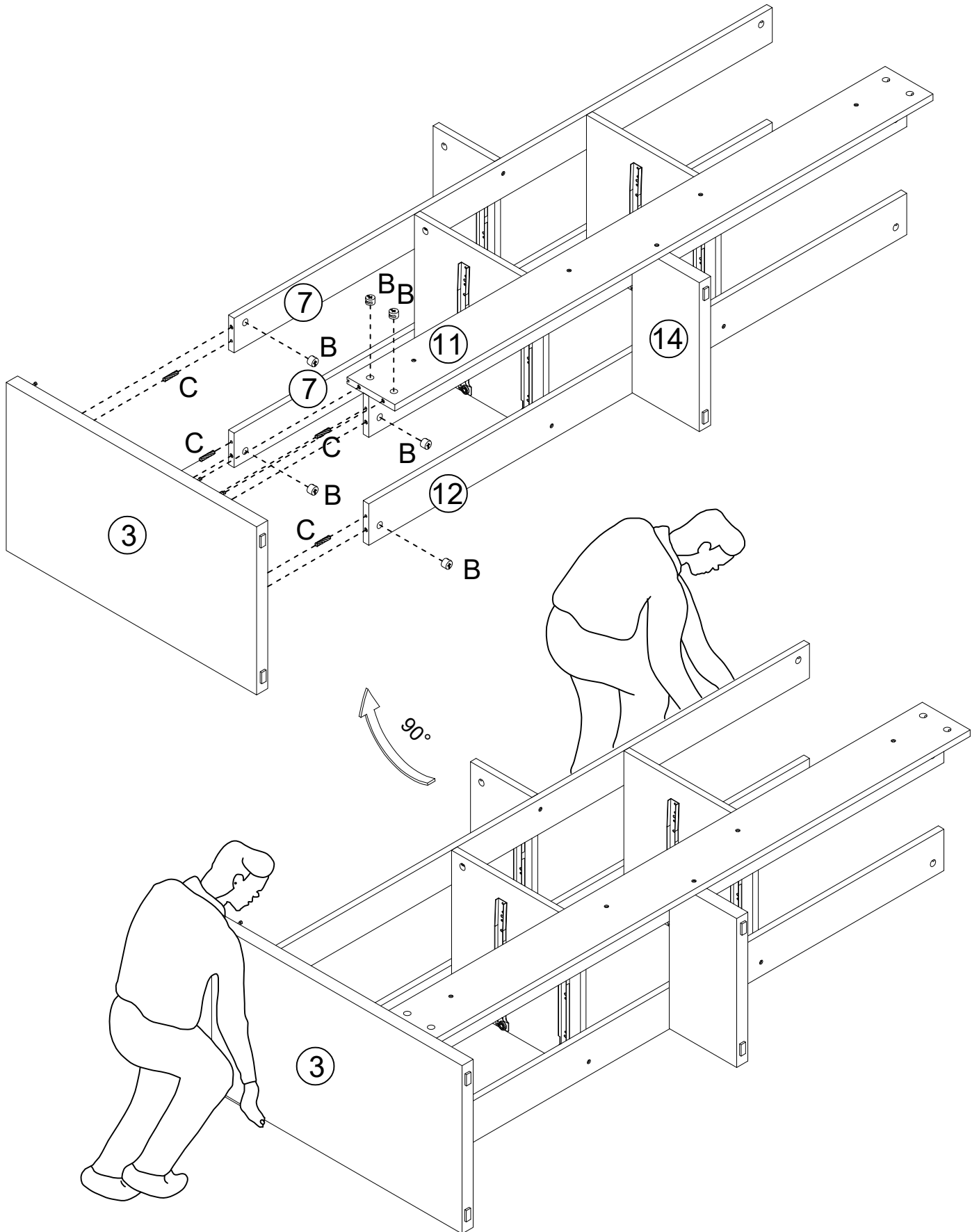
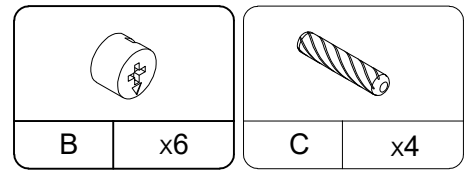


Step 6

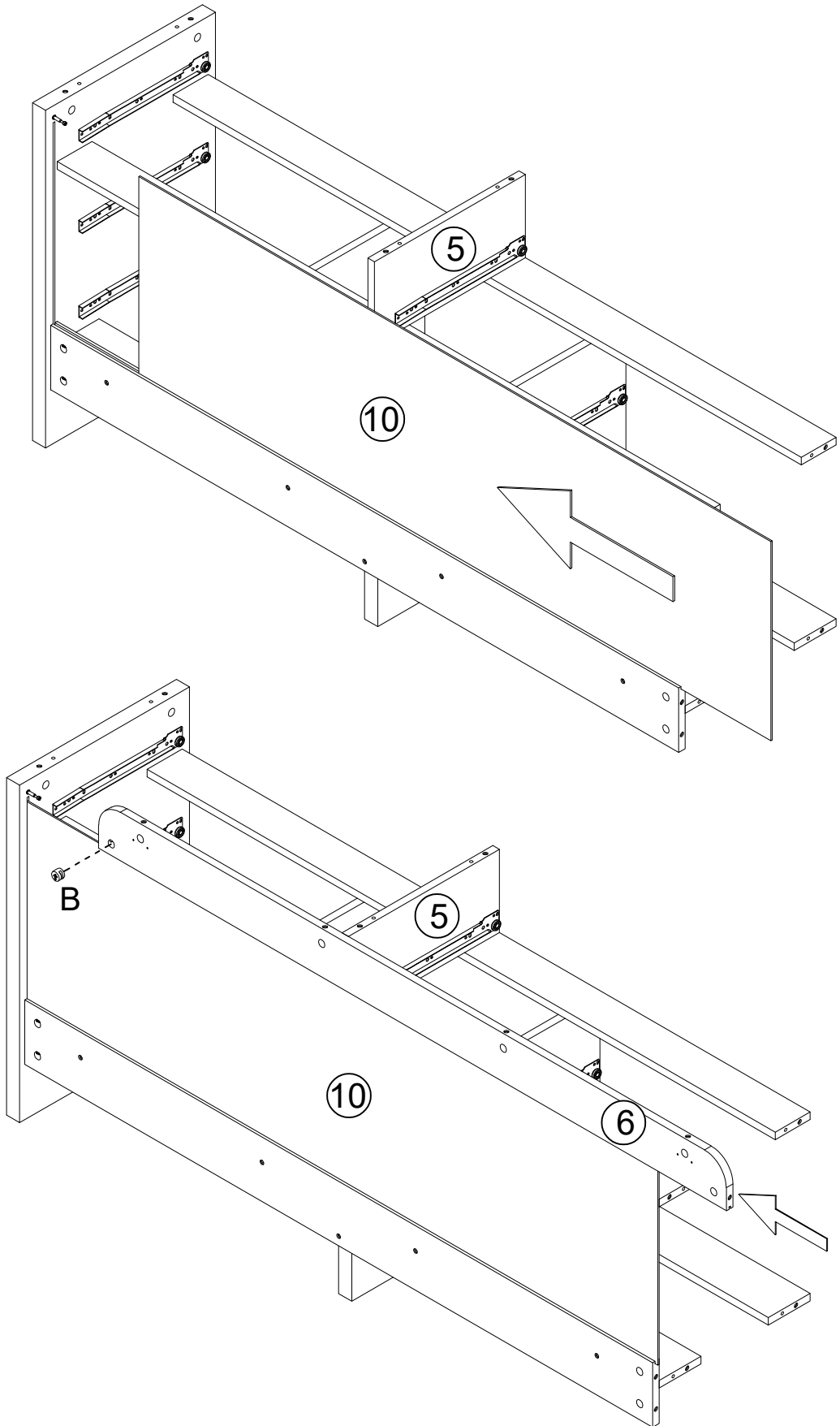
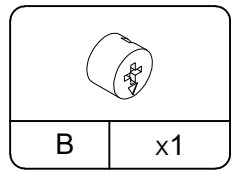
	
C	x3
D	x5



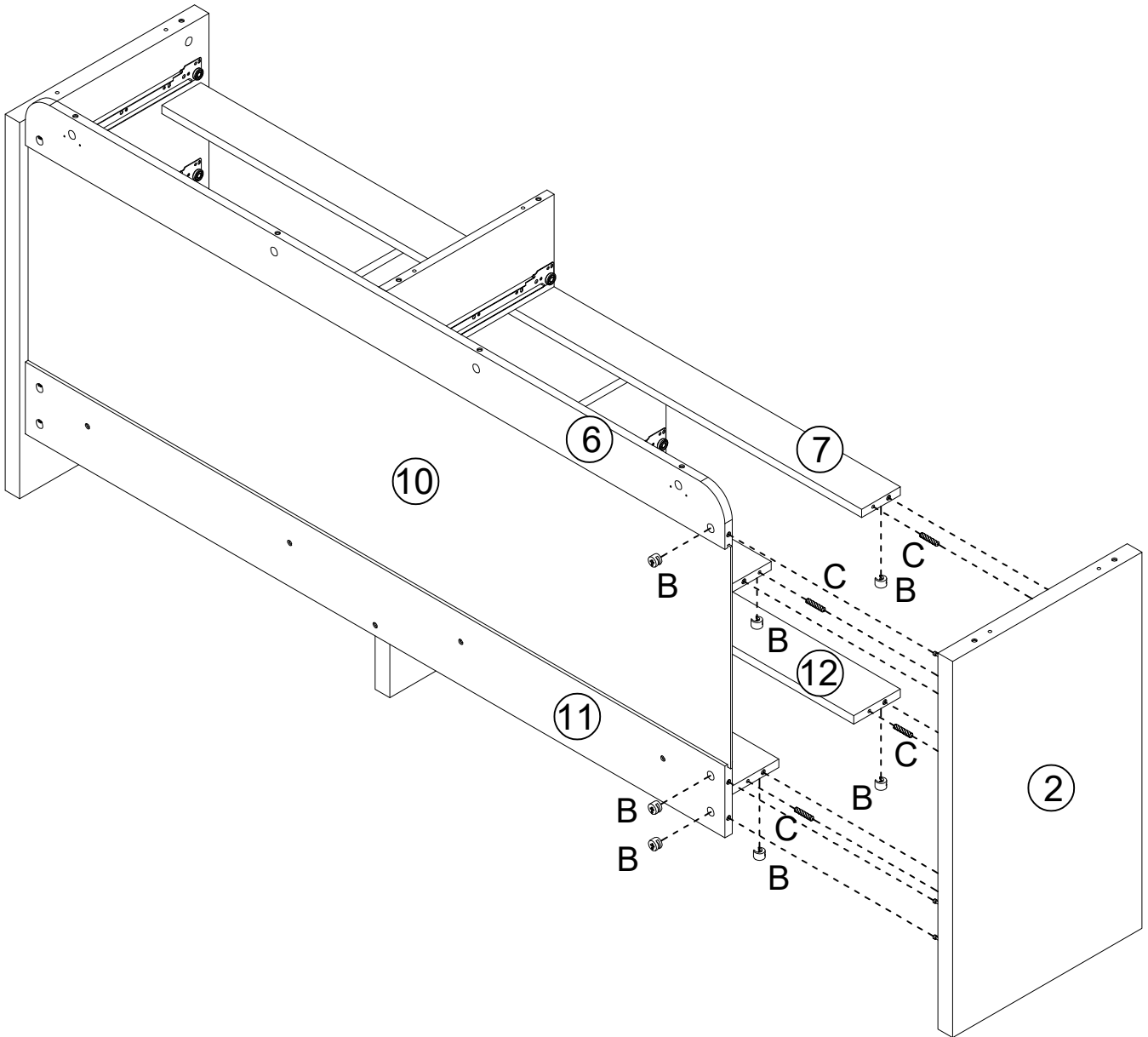
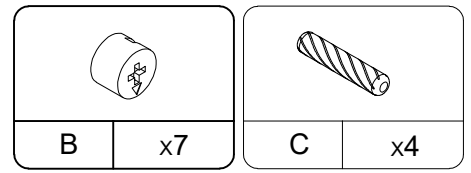
Step 7



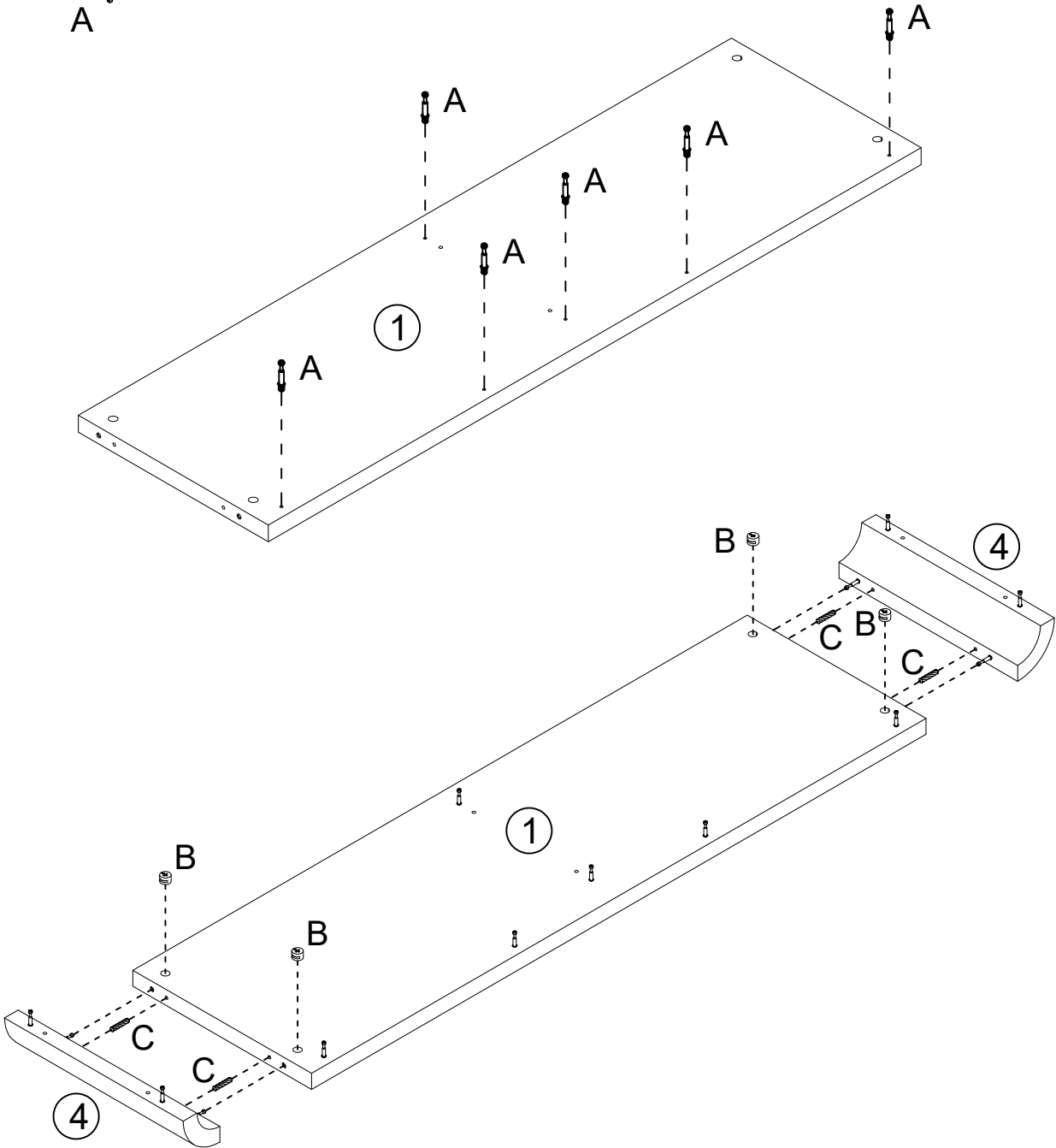
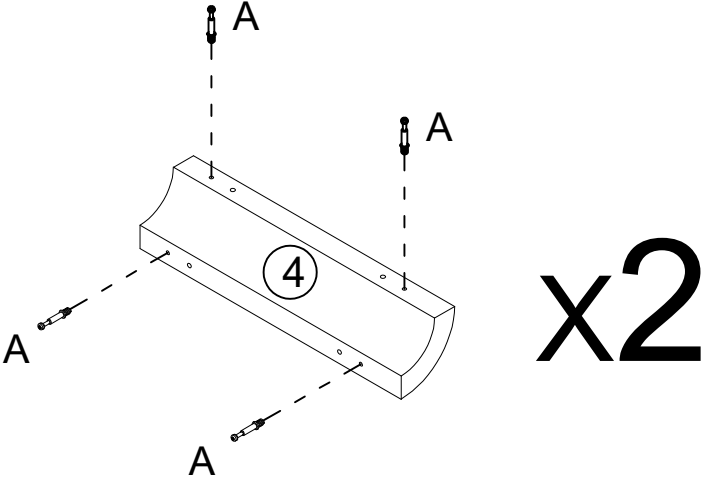
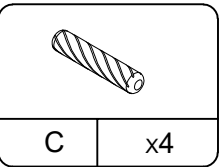
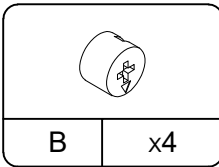
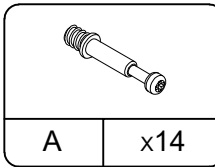
Step 8



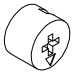

Step 9

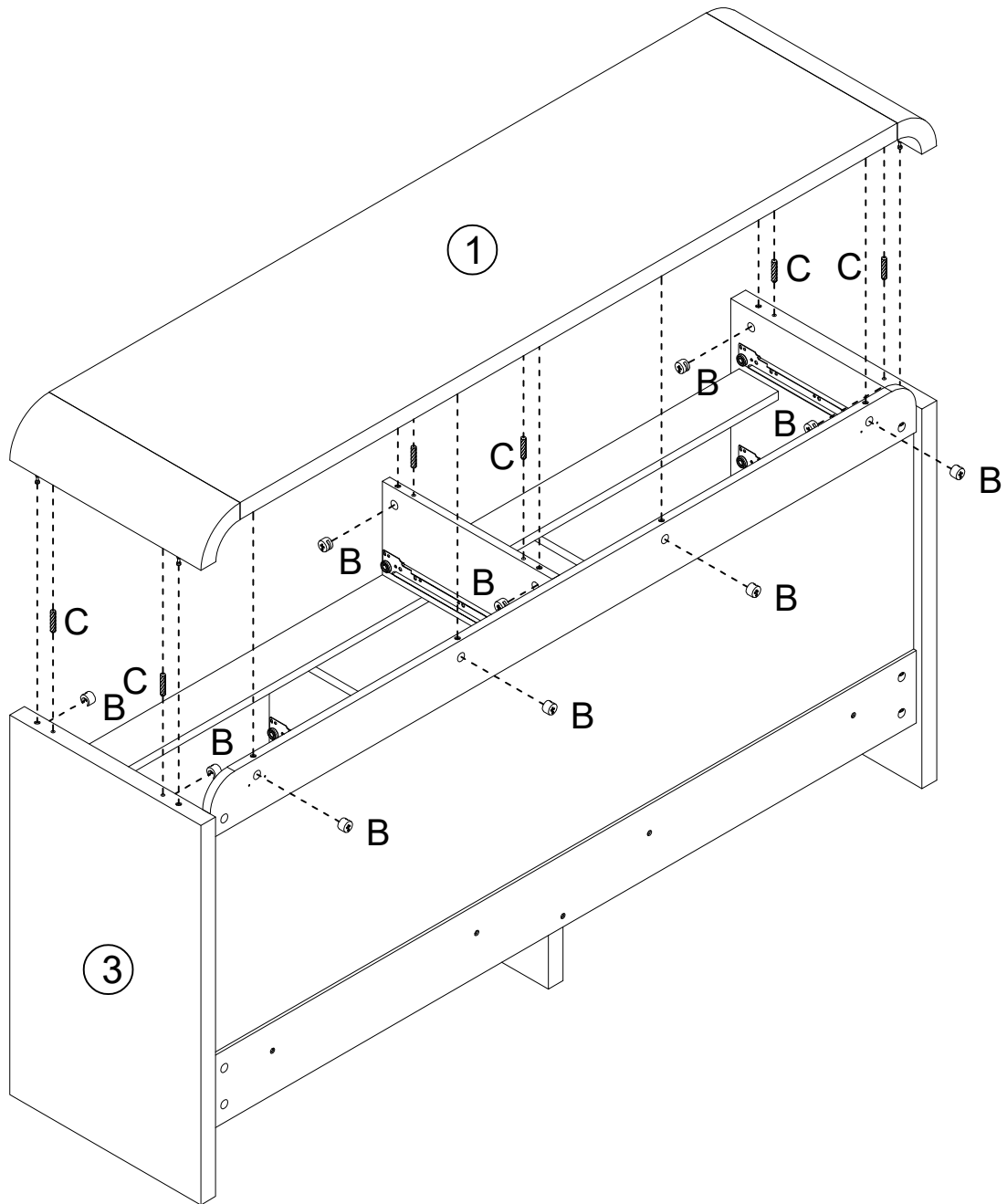


Step 10


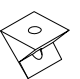


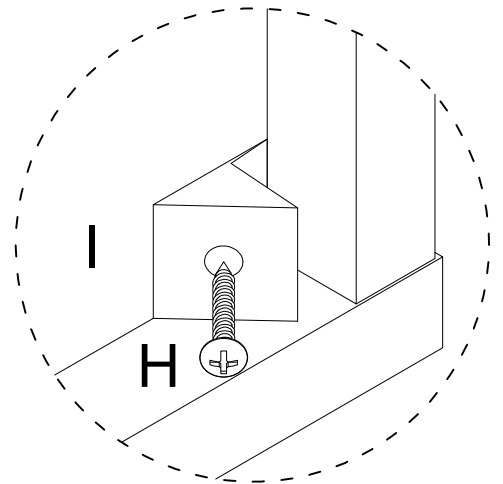
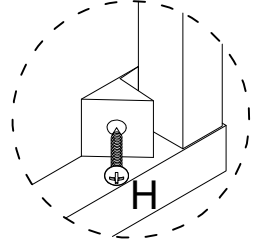
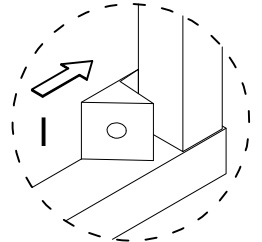
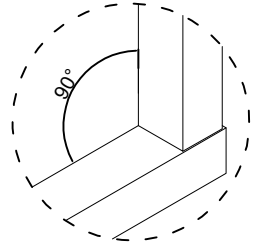
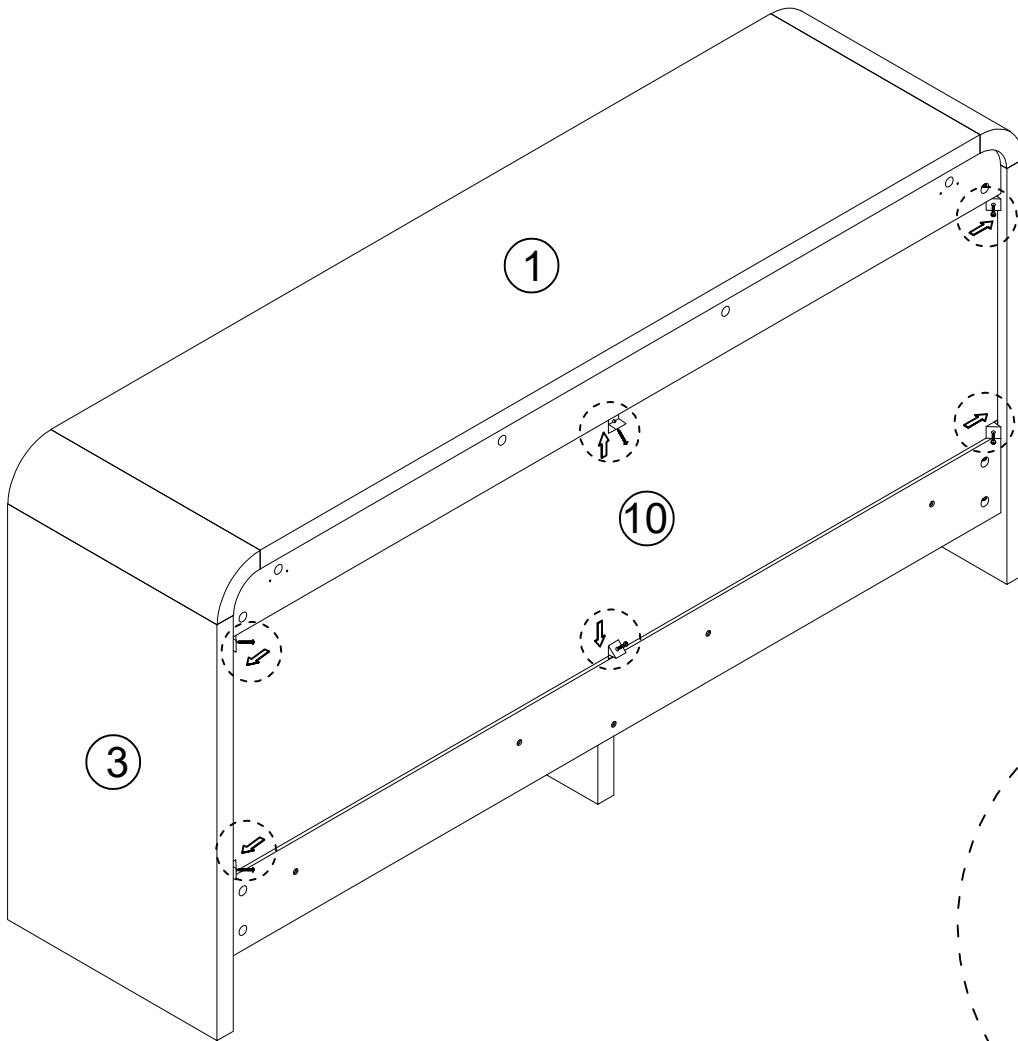
Step 11

	
B	x10
C	x6

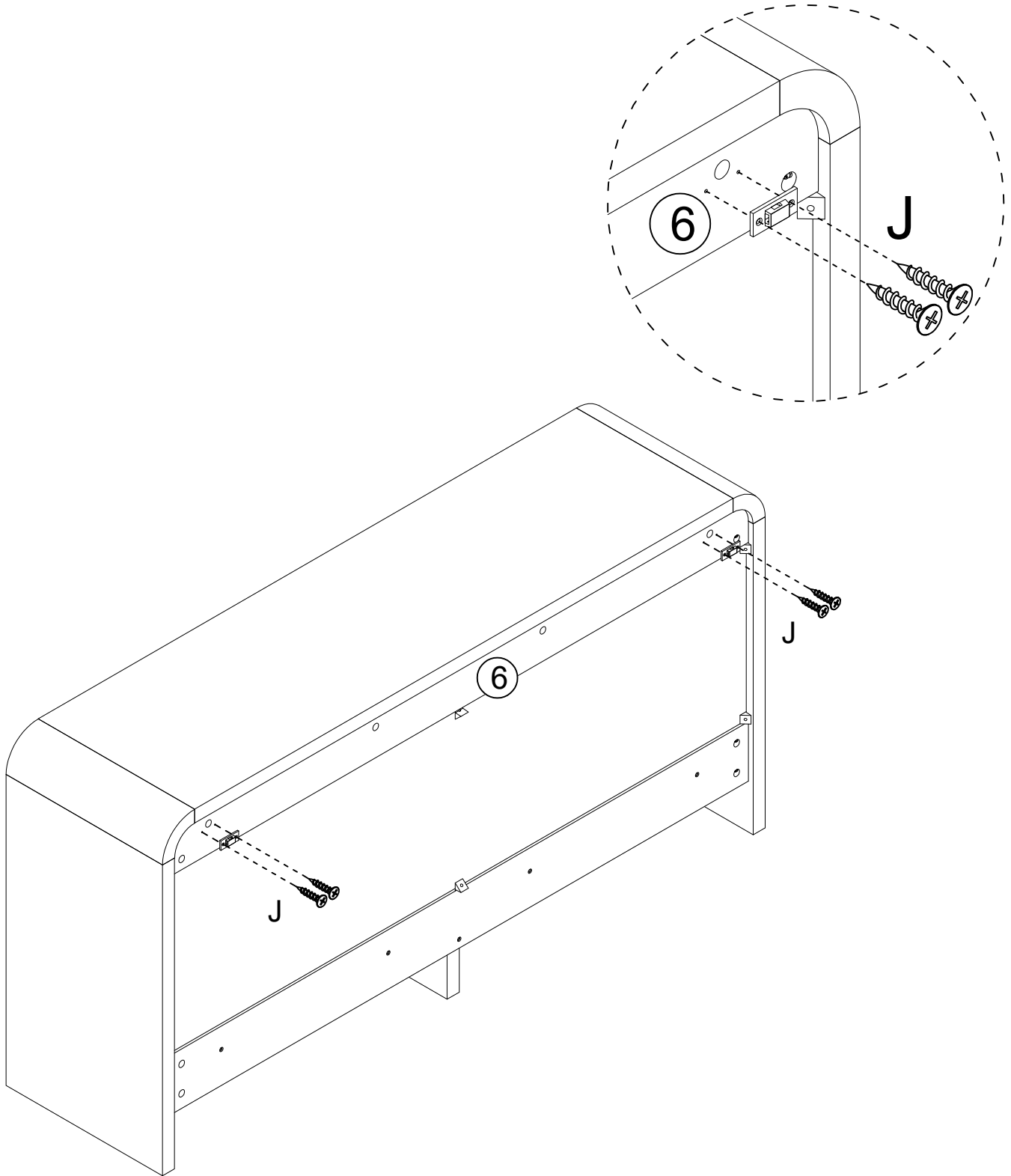
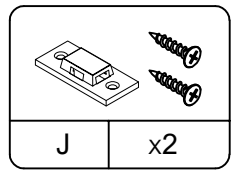


Step 12

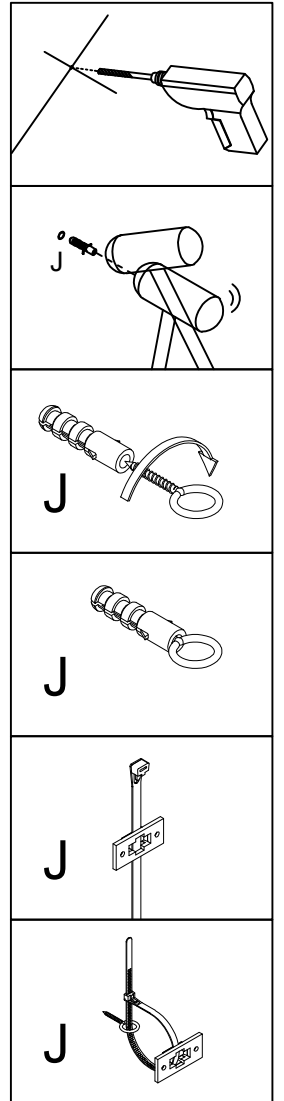
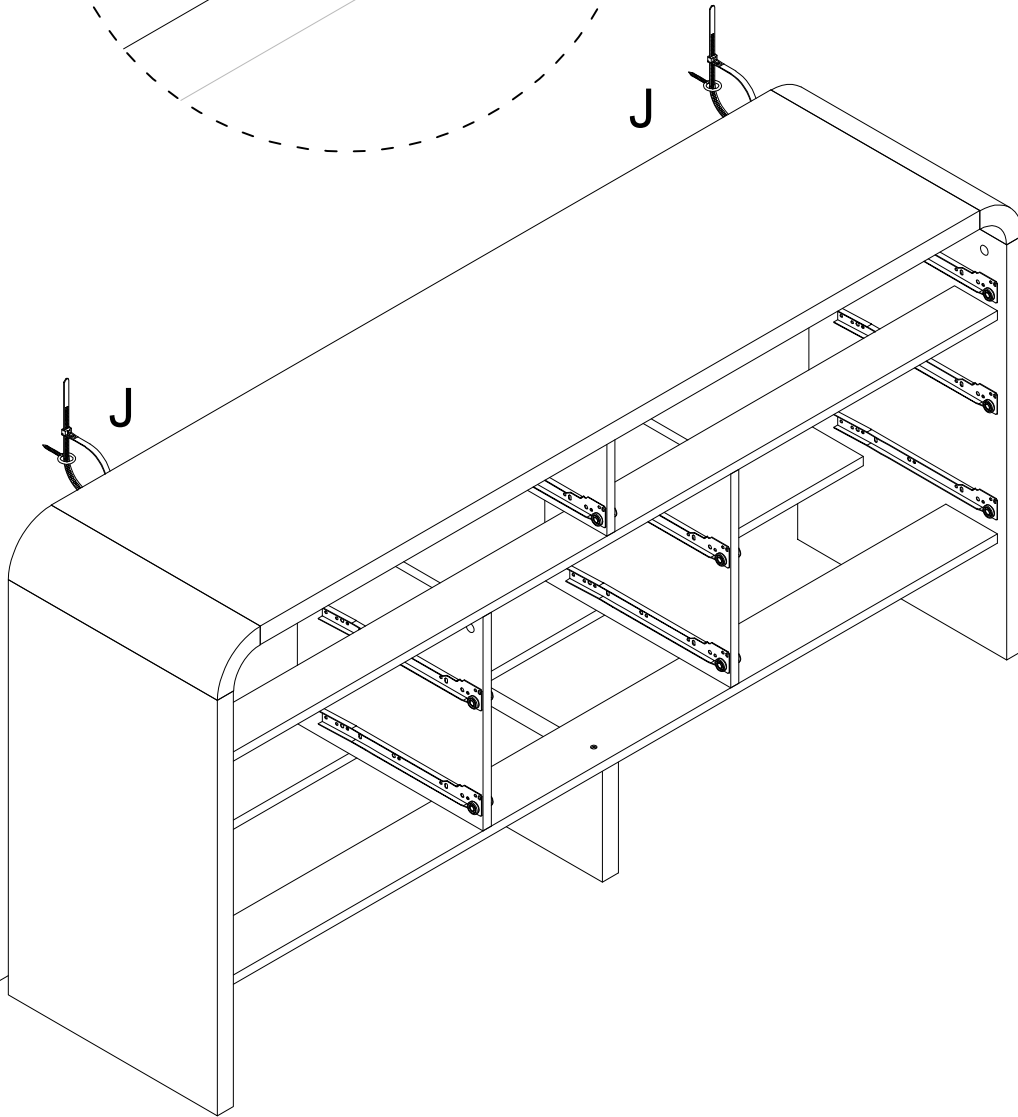
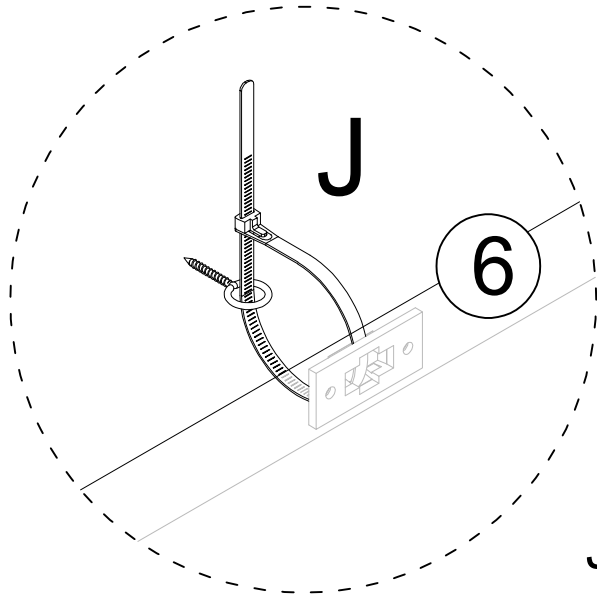
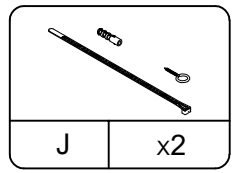
	
H	x6
I	x6



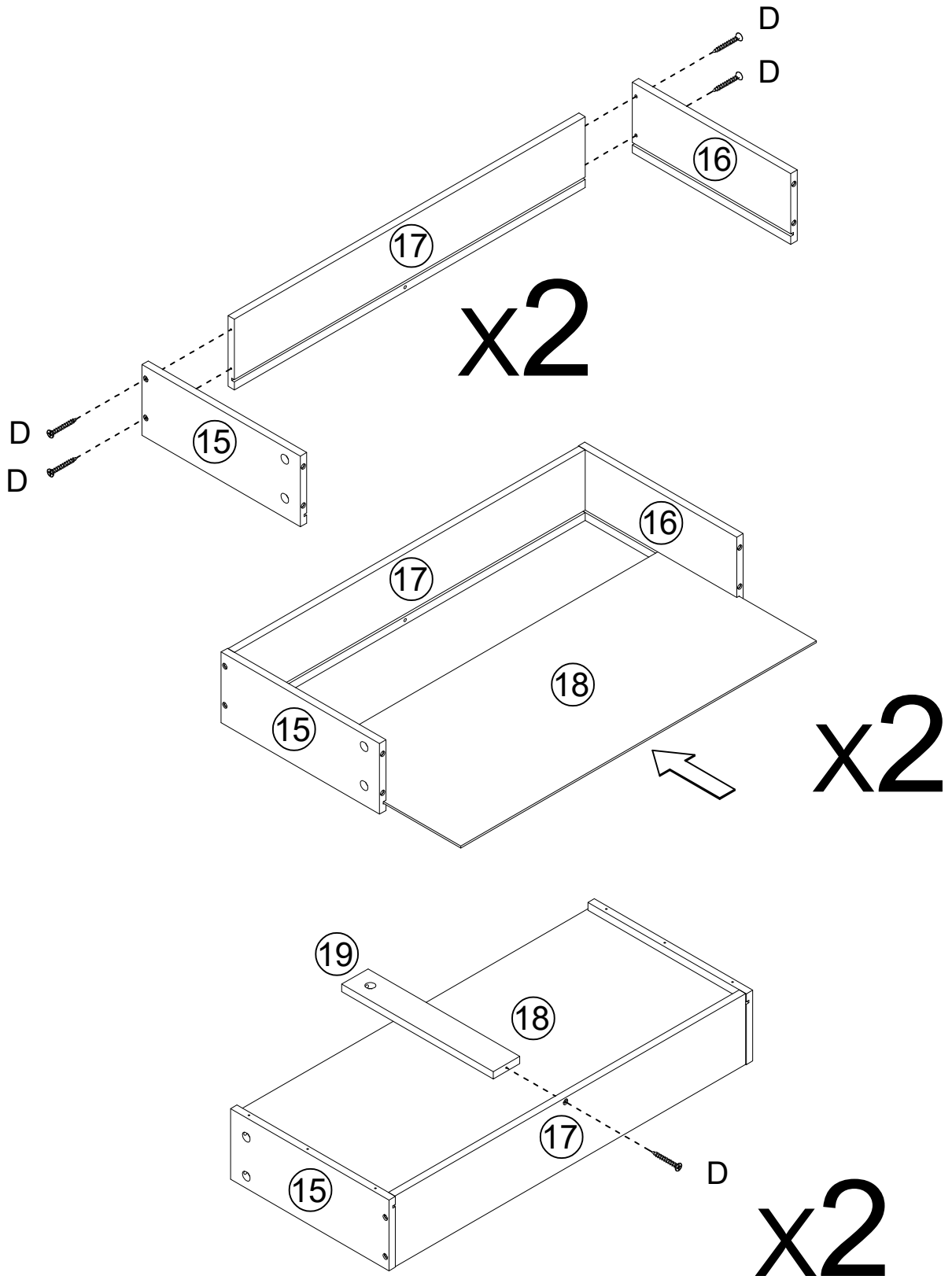
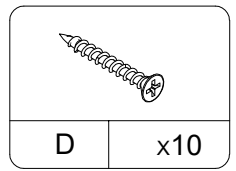
Step 13



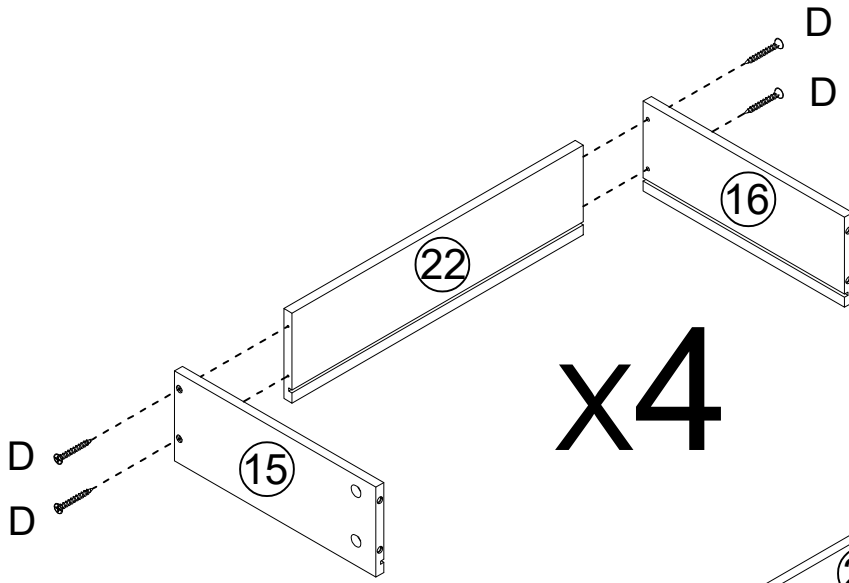
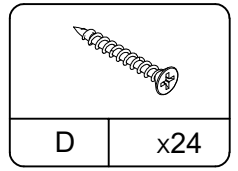
Step 14



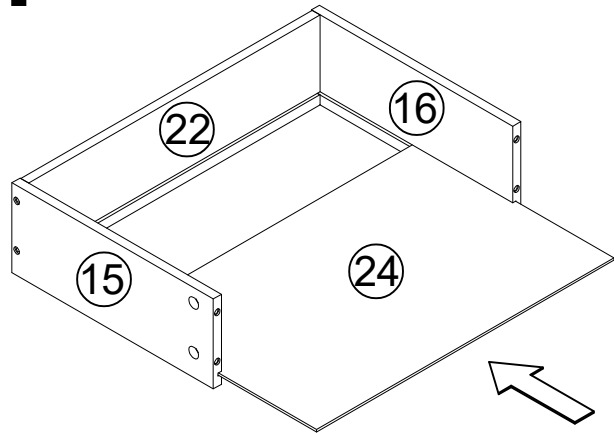
Step 15



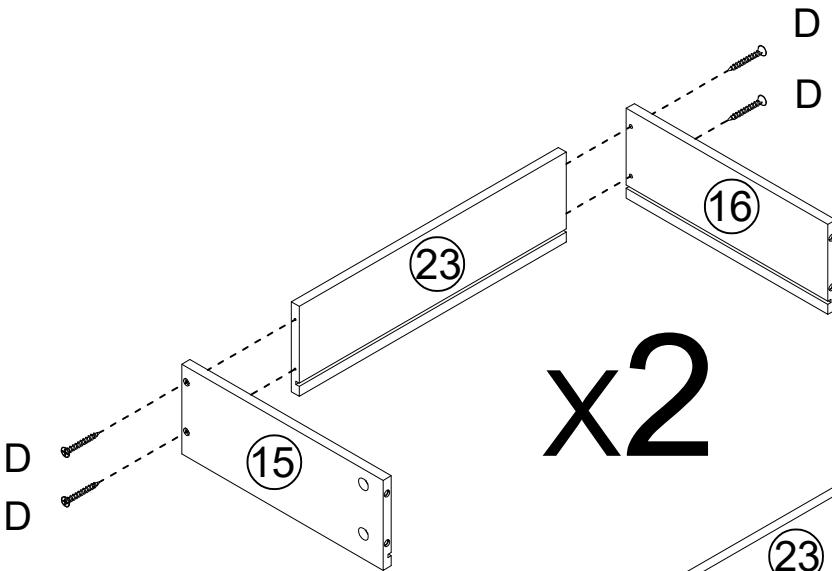
Step 16



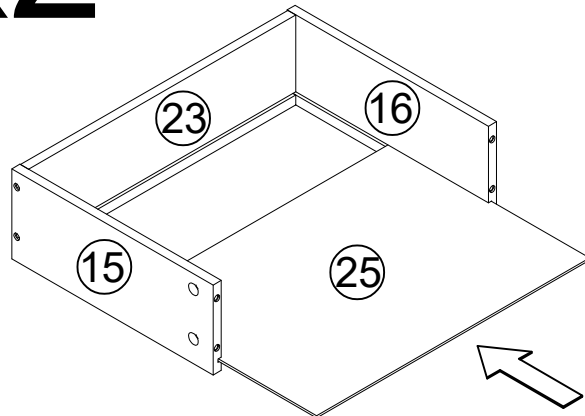
x4



x4

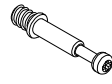

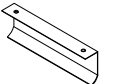


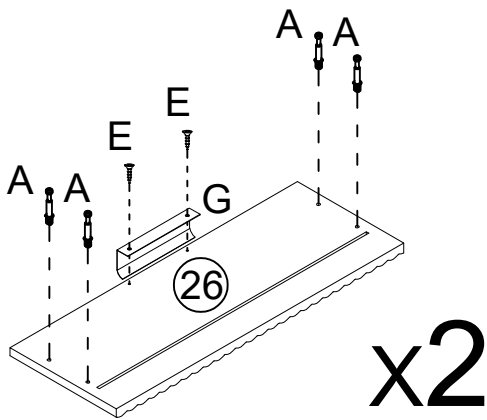
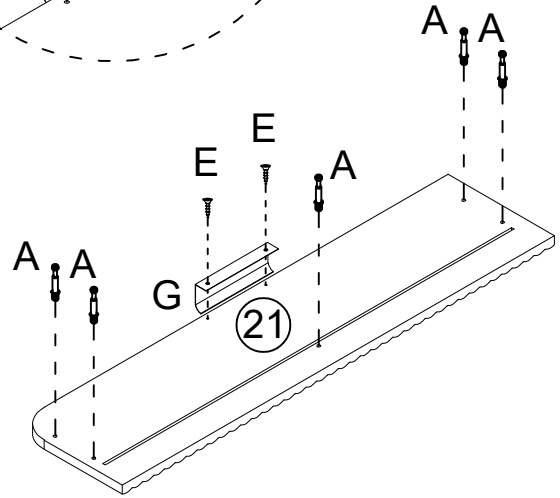
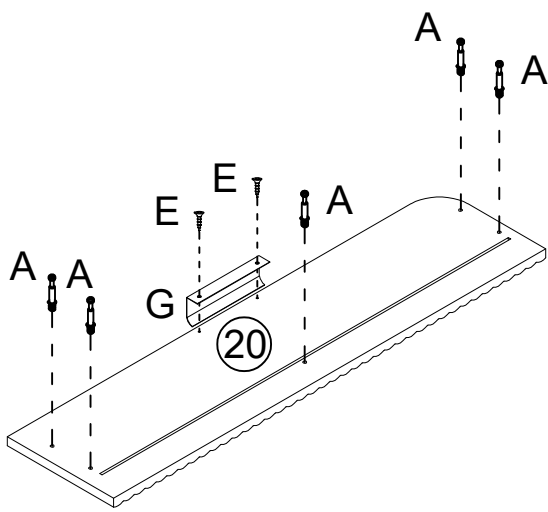
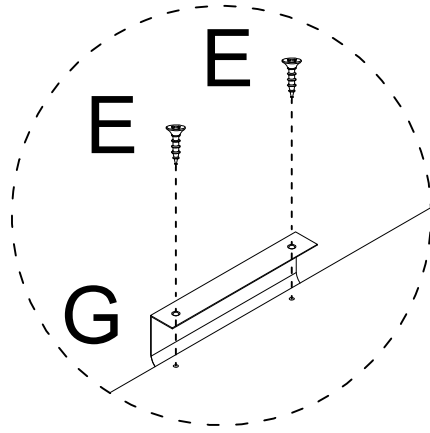
x2



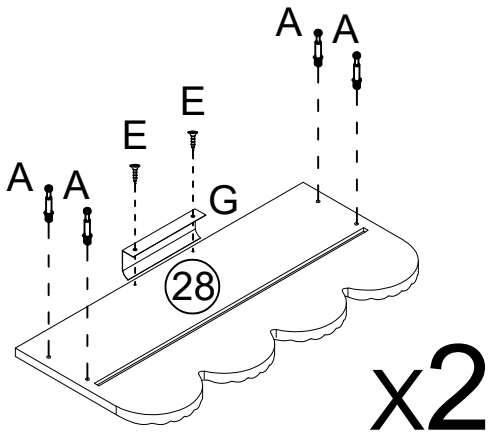
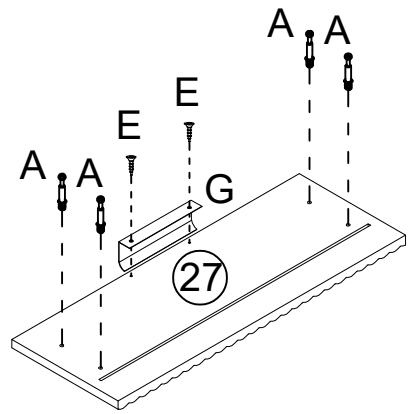
x2

Step 17

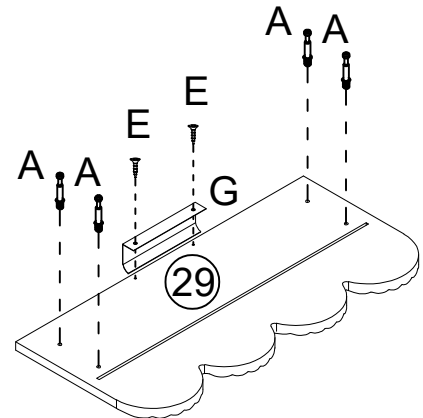
		
A	E	G
x34	x16	x8



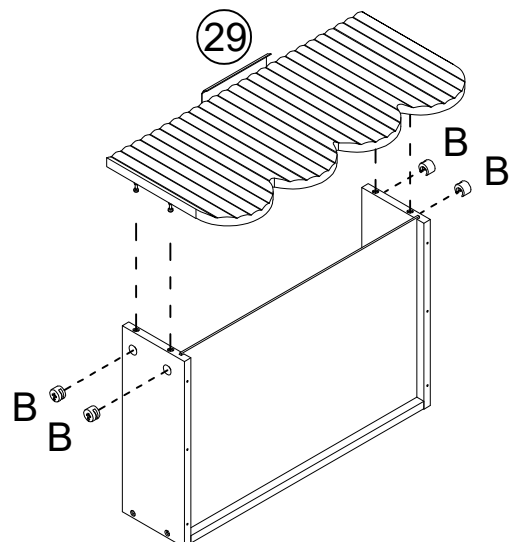
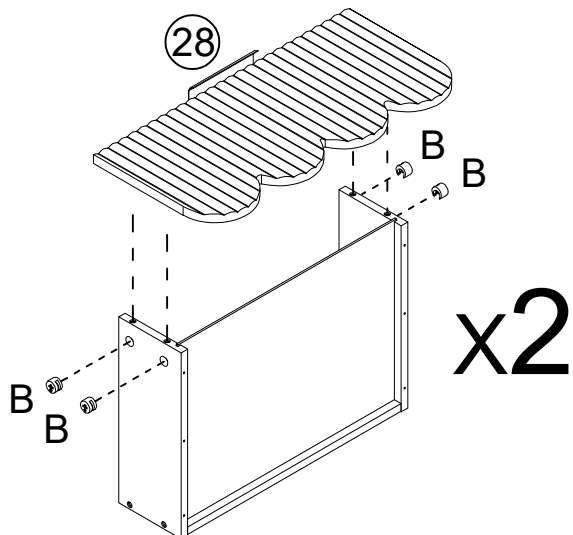
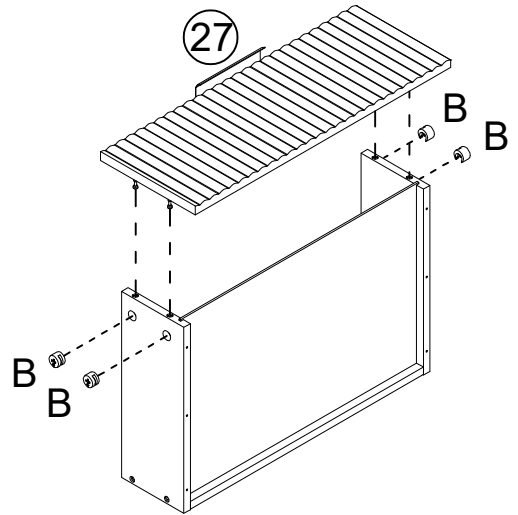
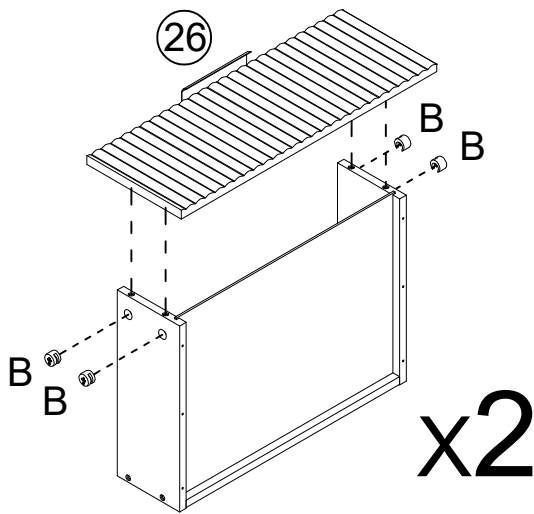
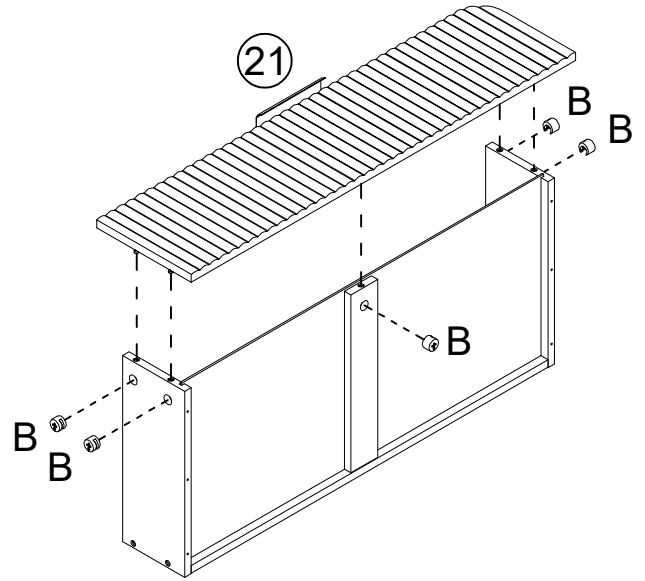
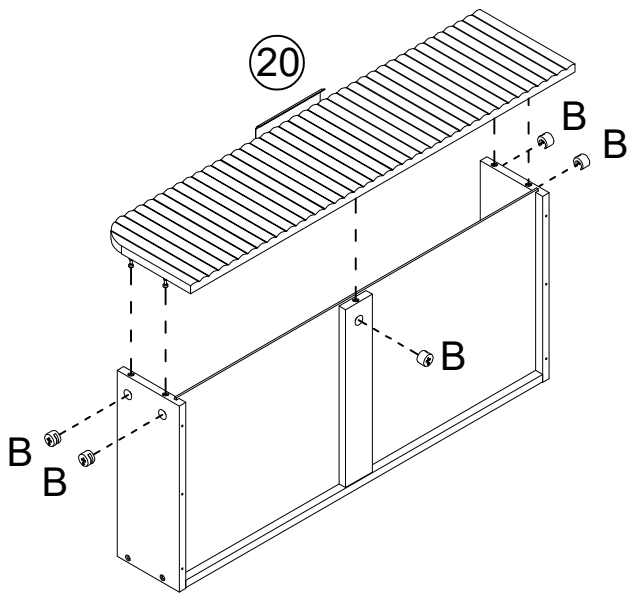
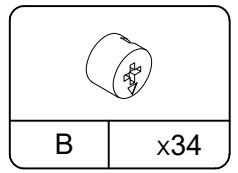
x2




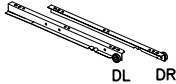
x2

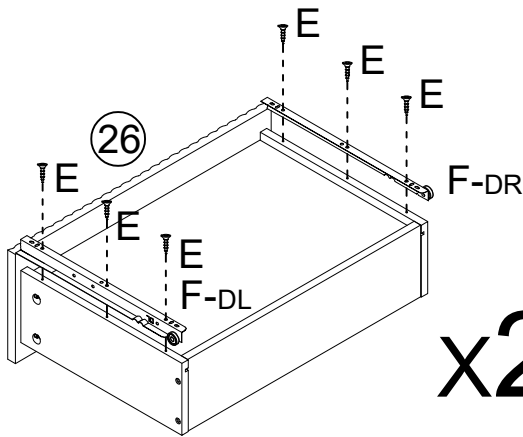
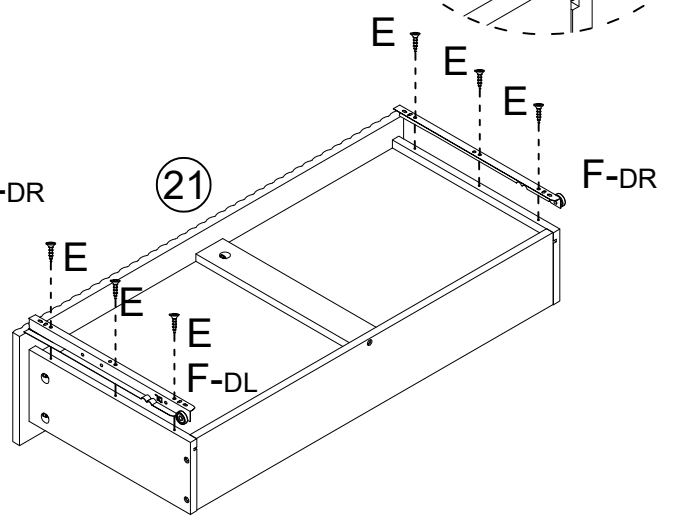
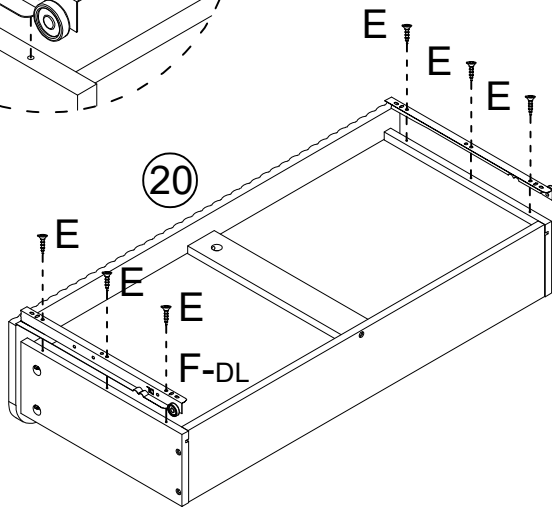
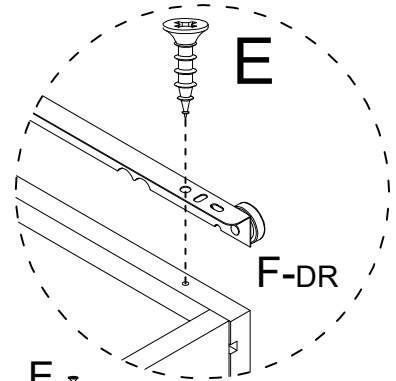
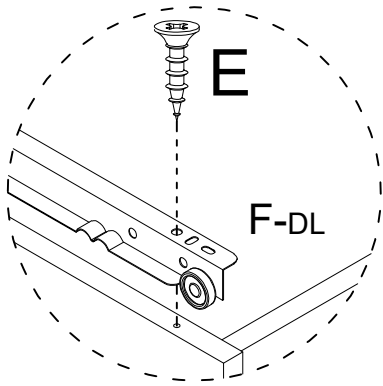


Step 18

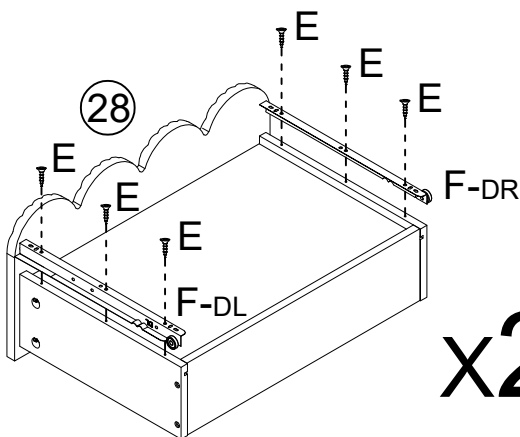
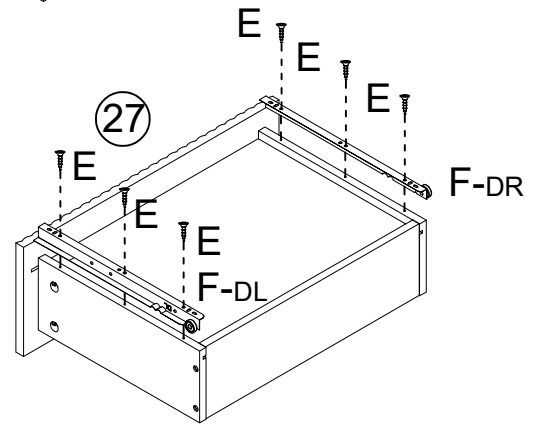


Step 19

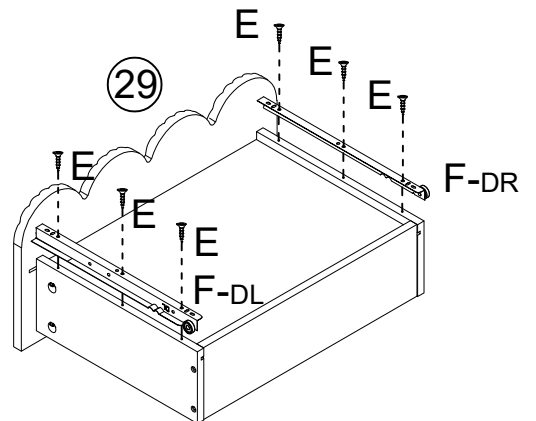
			
E	x48	F	x8



x2



x2



Step 20

