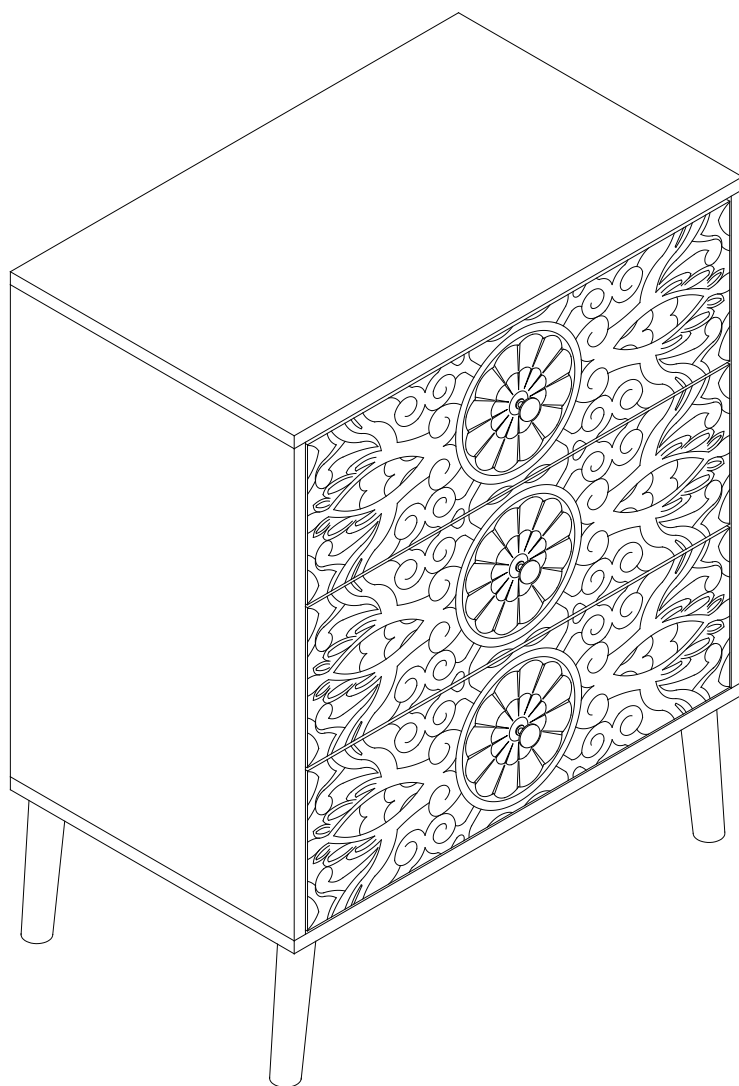


# Installation Instruction



Product name

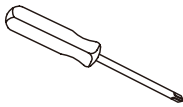
---

**3 Drawer Cabinet**

# Assembling

## What you need

- Use the packaging carton as a working surface to prevent product damage during assembly
- Phillips head screwdriver



## Weight Limitation



**50**

|

**20**

lbs table top

lbs per drawer

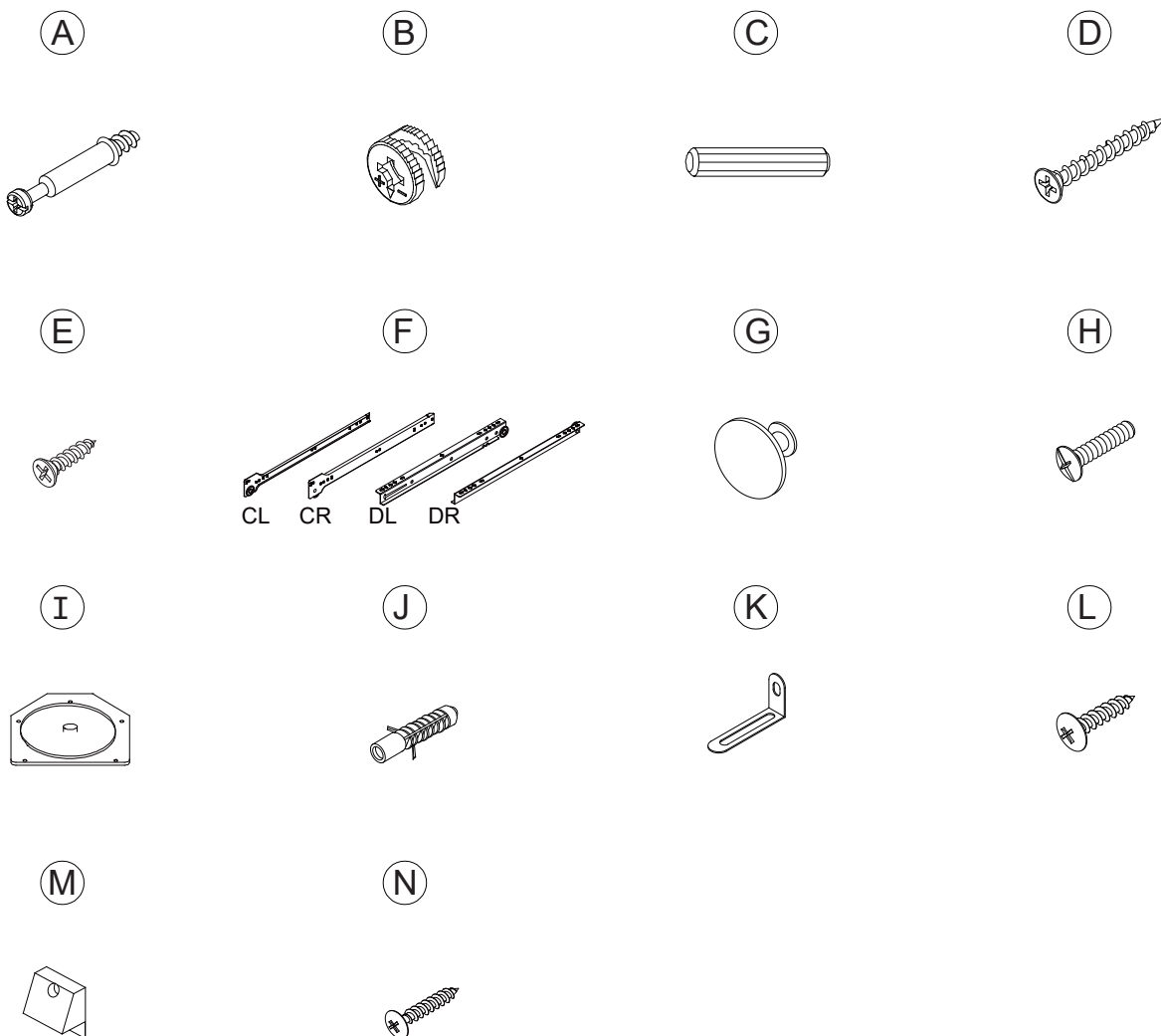


2 PERSONS

# What 's included

Code	Description	Qty
A	Cam Bolt M6X35MM	25
B	Cam Lock 15X10MM	25
C	Wooden Dowel M6X30MM	10
D	Screw M4X35MM	20
E	Screw M3X12MM	36
F	Slide Sets	3
G	Handle	3
H	Bolt M4X20MM	3
I	Metal Pin	4
J	Anchor M6X30MM	1
K	Metal Plate	1
L	Screw M4X14MM	21
M	Plastic Corner Support	8
N	Screw M3X16MM	8

# The hardwares



## IMPORTANT :

1. Do not tighten bolts / screws completely until all bolts / screws are lined up and inserted into holes.
2. Do not over tighten screws and bolts to avoid stripping.
3. Please use hand tools to assemble this product. Do not use power tools.
4. Must need 2 people to assemble this product.

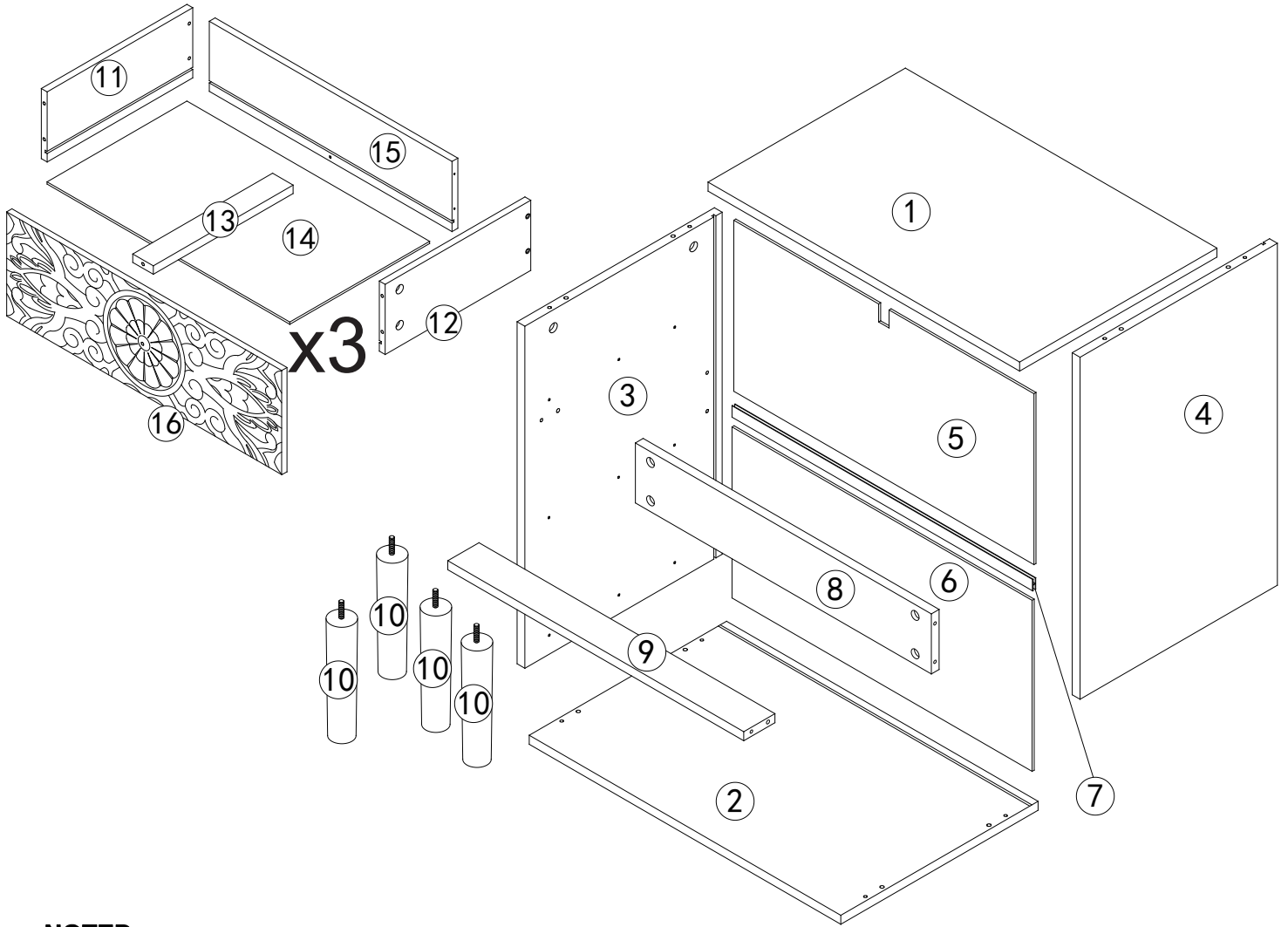


2 PERSONS

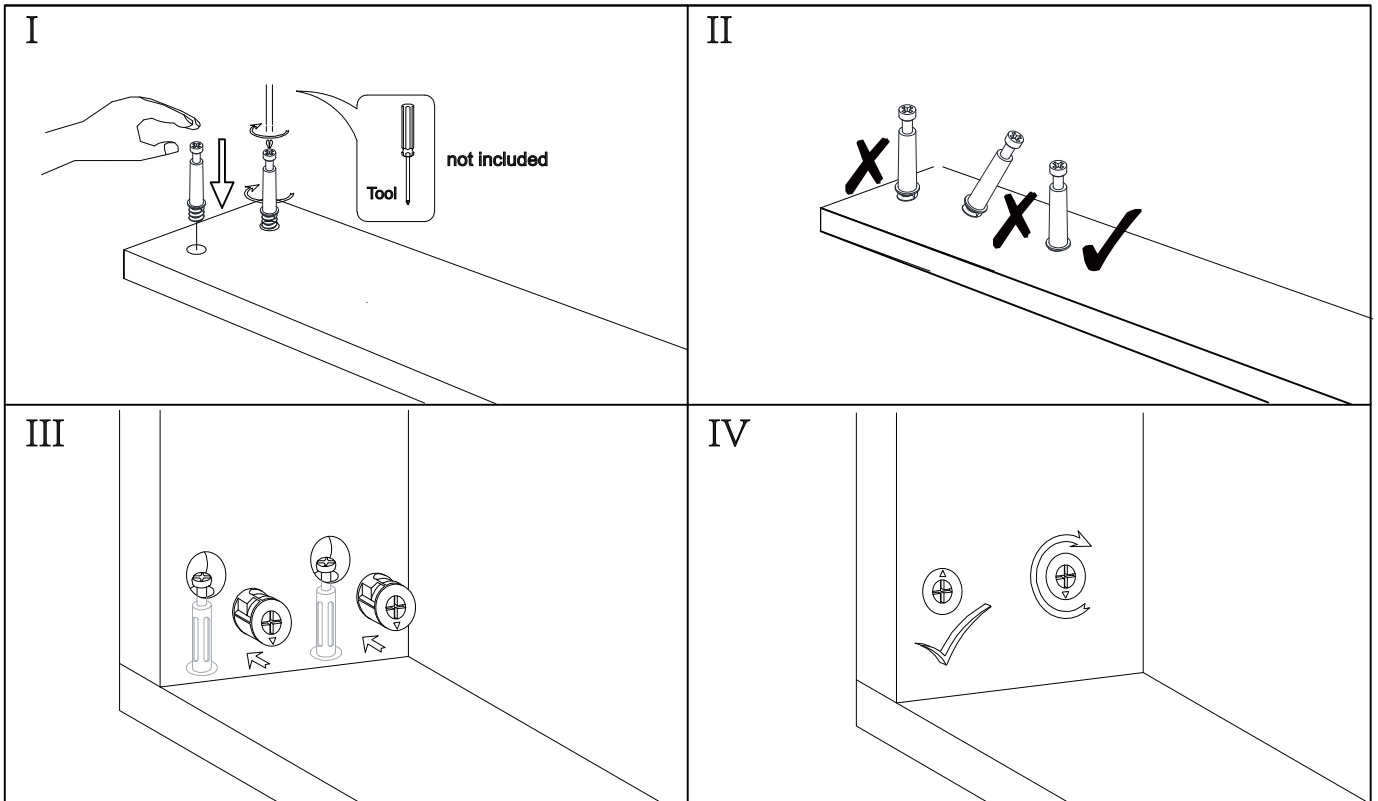
# Included Accessories

Code	Description	Qty
1	Cabinet Top	1
2	Bottom Panel	1
3	Left Side Panel	1
4	Right Side Panel	1
5	Upper Back Panel	1
6	Lower Back Panel	1
7	Horizontal Back Stretcher	1
8	Back Support Panel	1
9	Front Support Panel	1
10	Foot	4
11	Drawer Left Side Panel	3
12	Drawer Right Side Panel	3
13	Drawer Support Panel	3
14	Drawer Bottom Panel	3
15	Drawer Back Panel	3
16	Drawer Front Panel	3

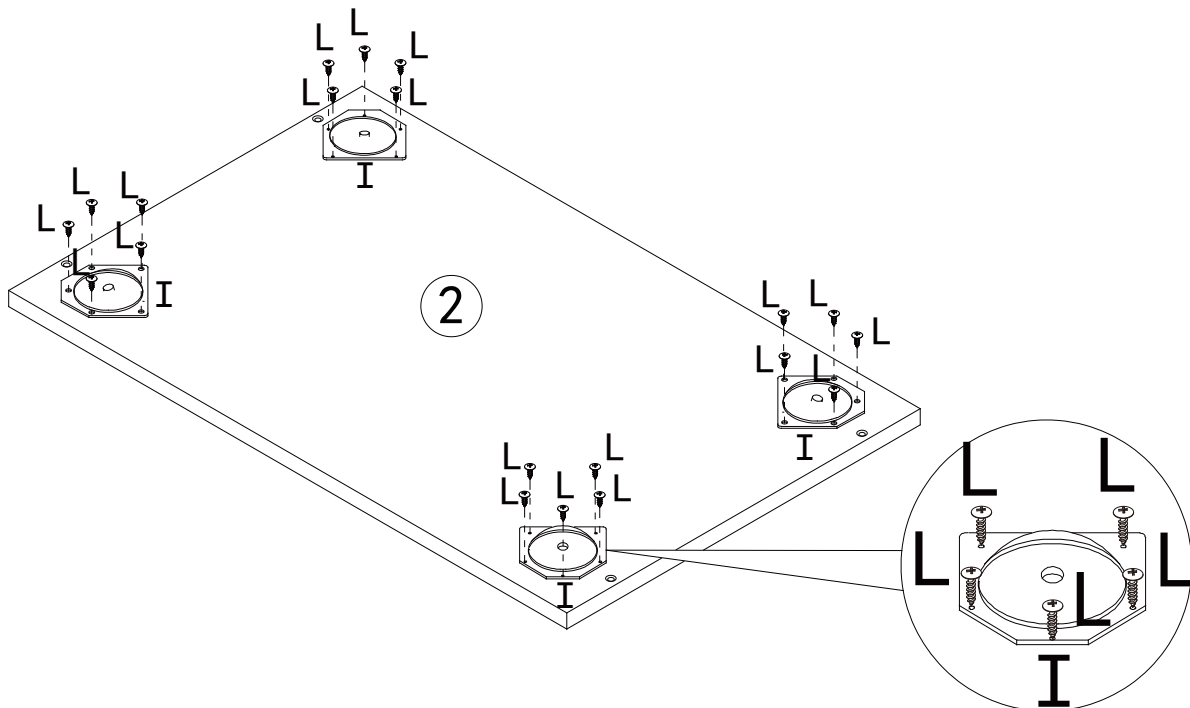
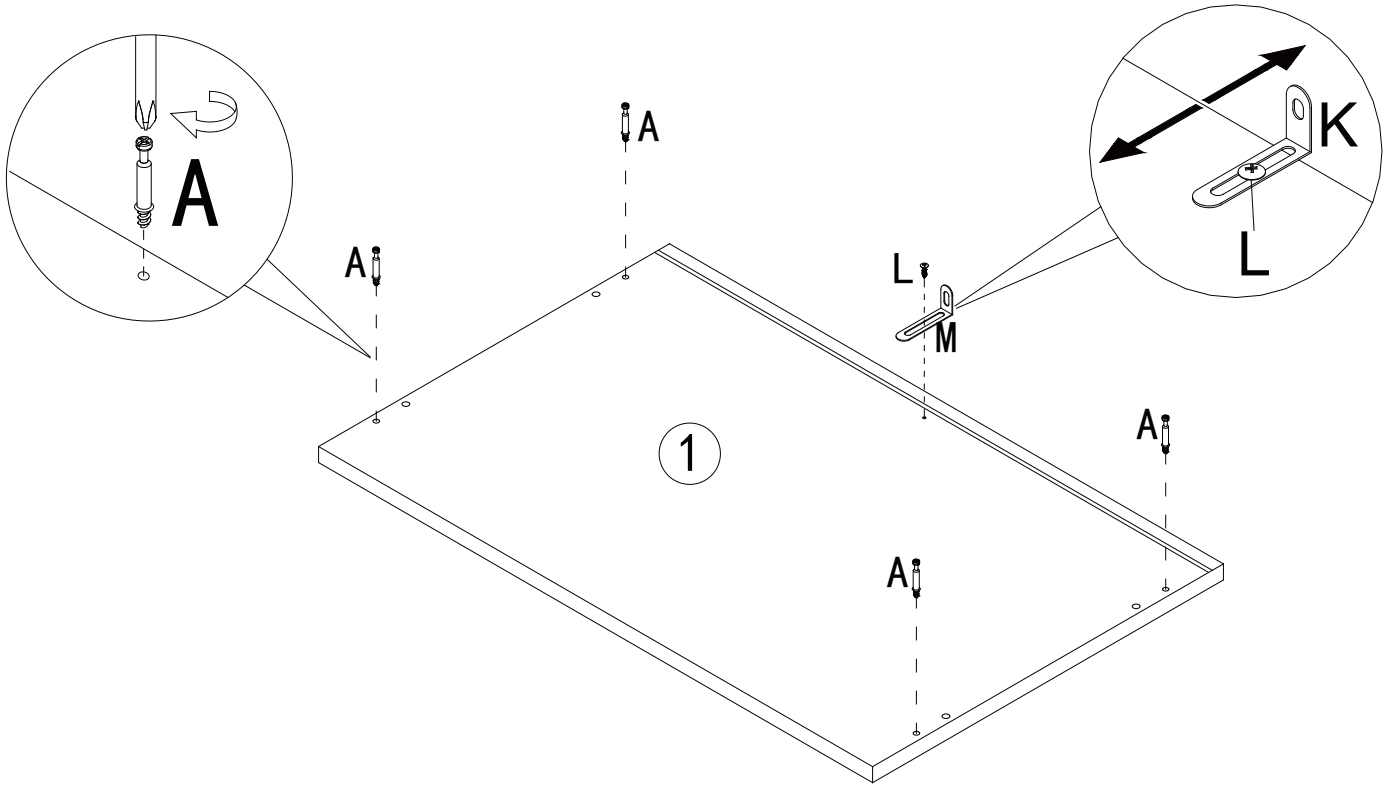
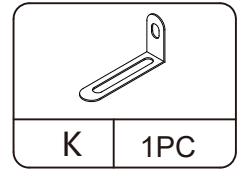
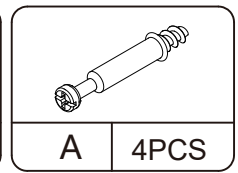
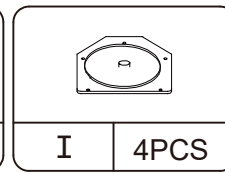
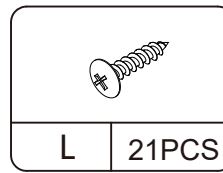
# The Accessoriess



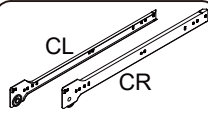
**NOTED:**

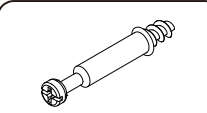



# Step 1

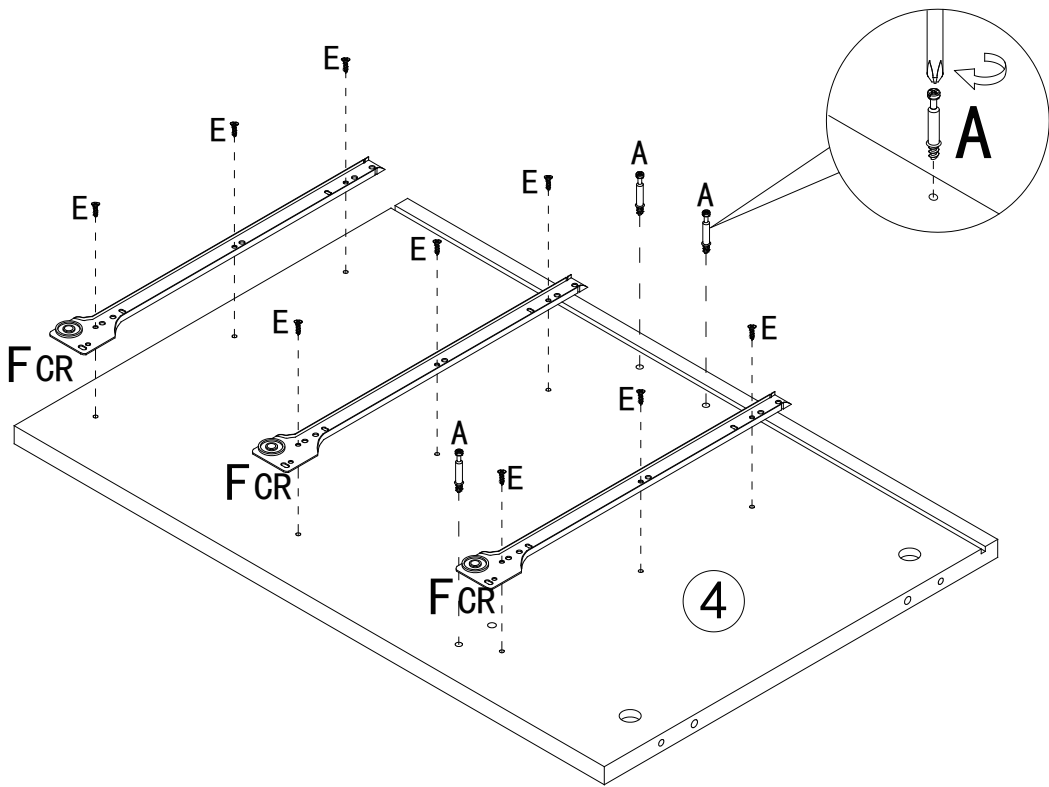
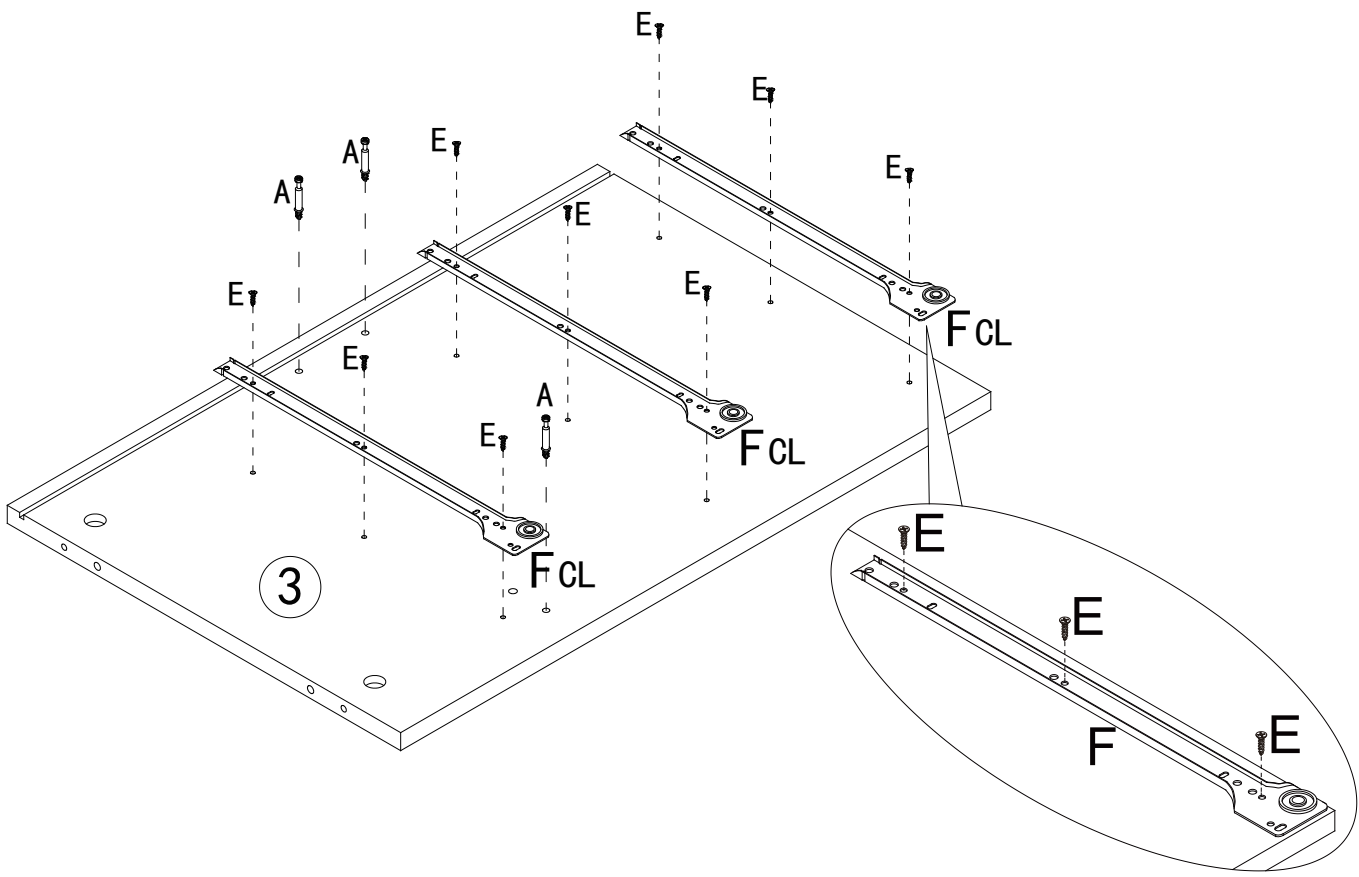


# Step 2

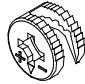

	
F	3PCS

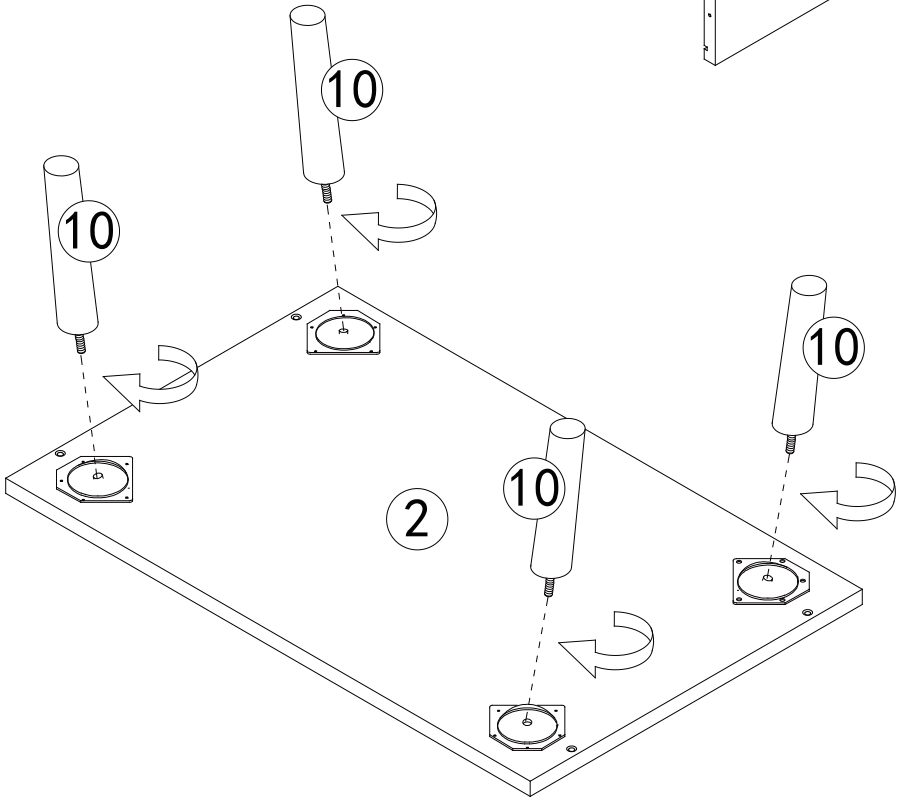
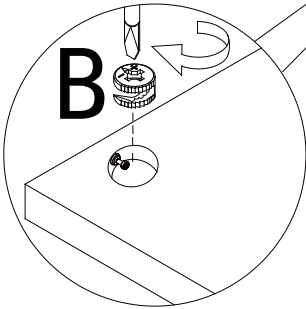
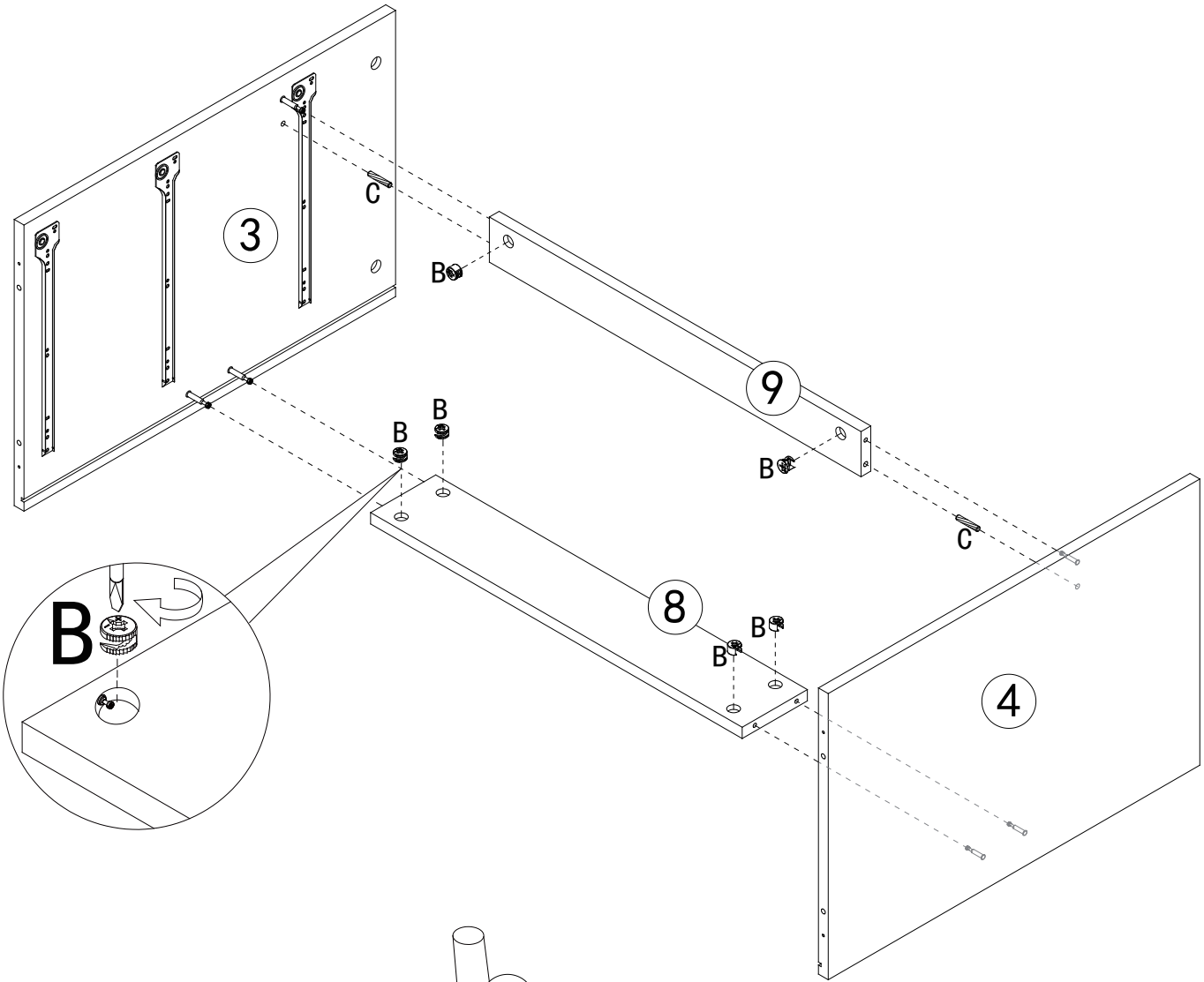
	
A	6PCS

	
E	18PCS

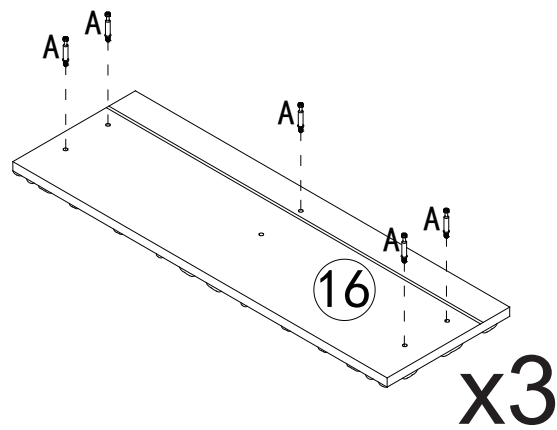
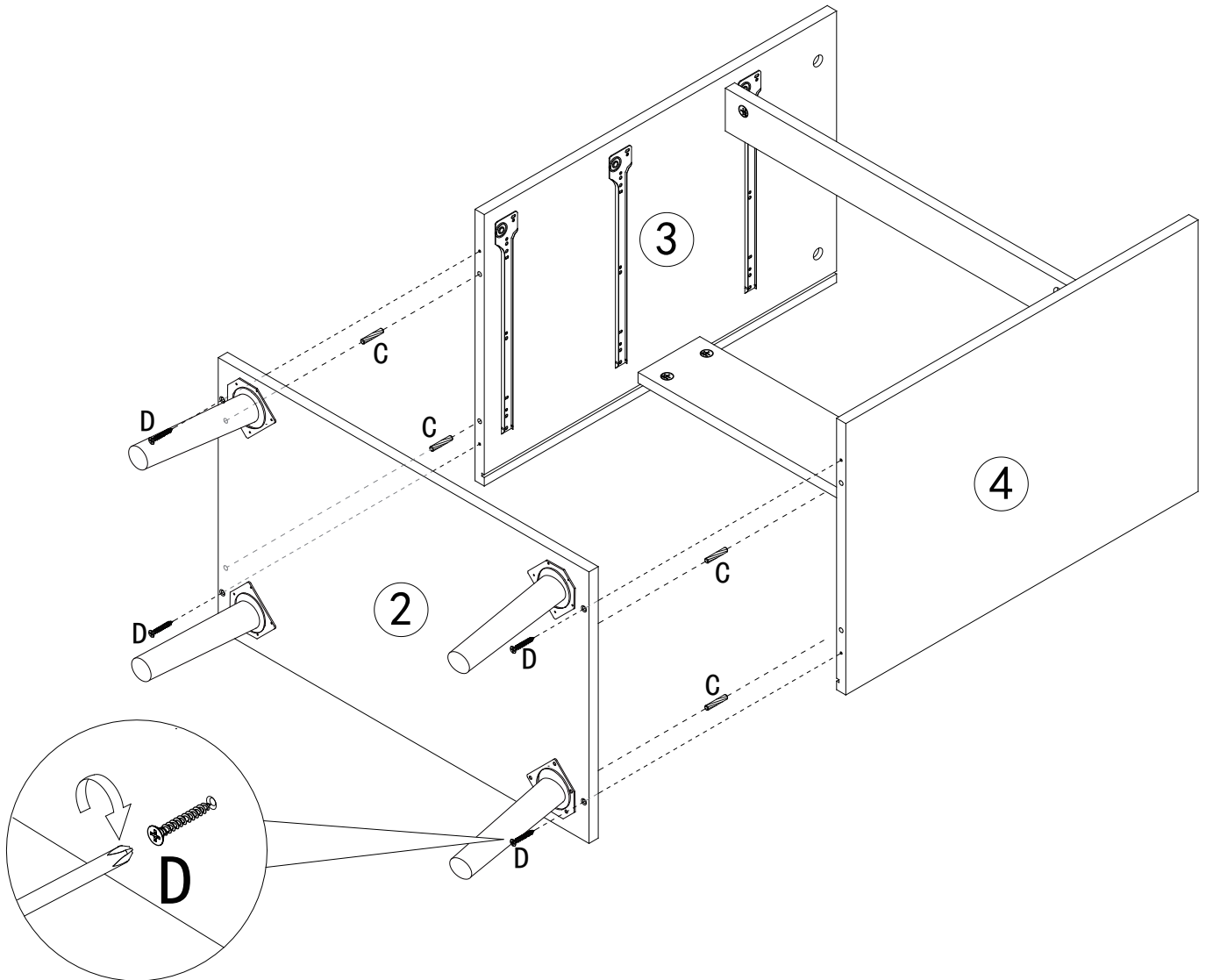
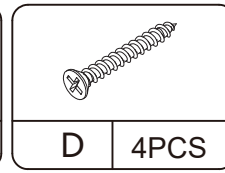
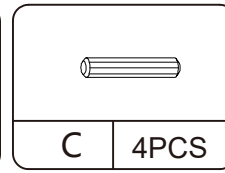
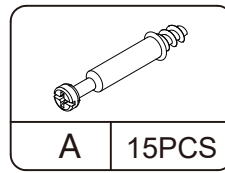


# Step 3



	
B	6PCS
C	2PCS

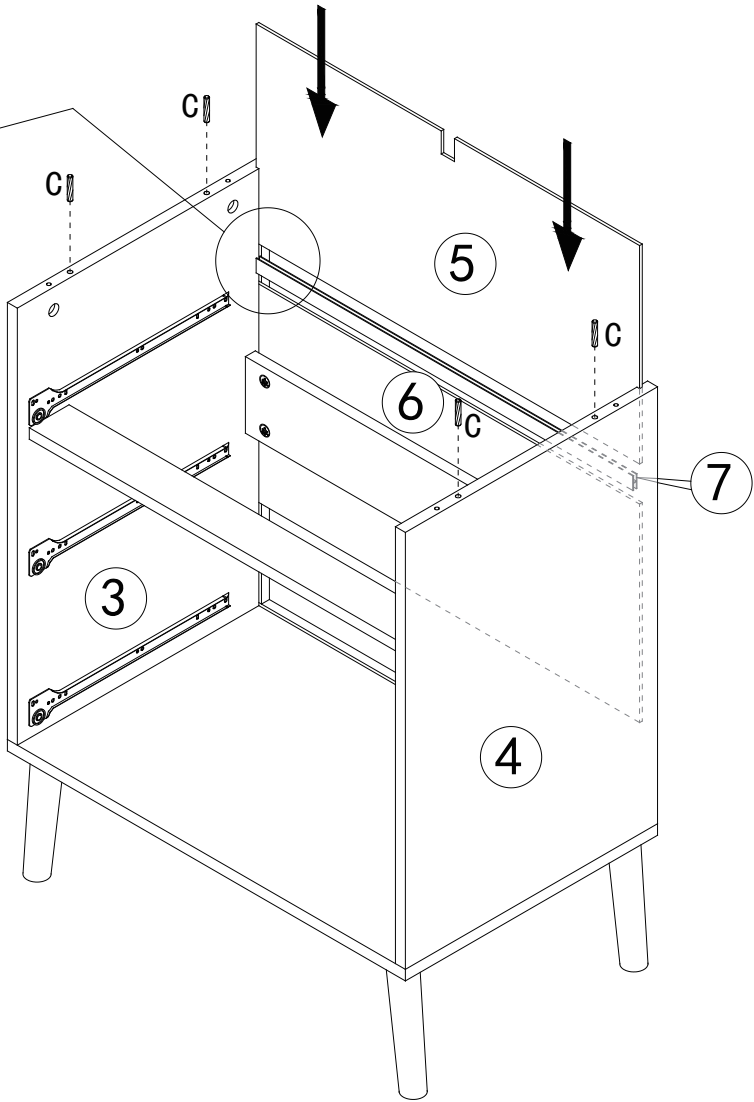
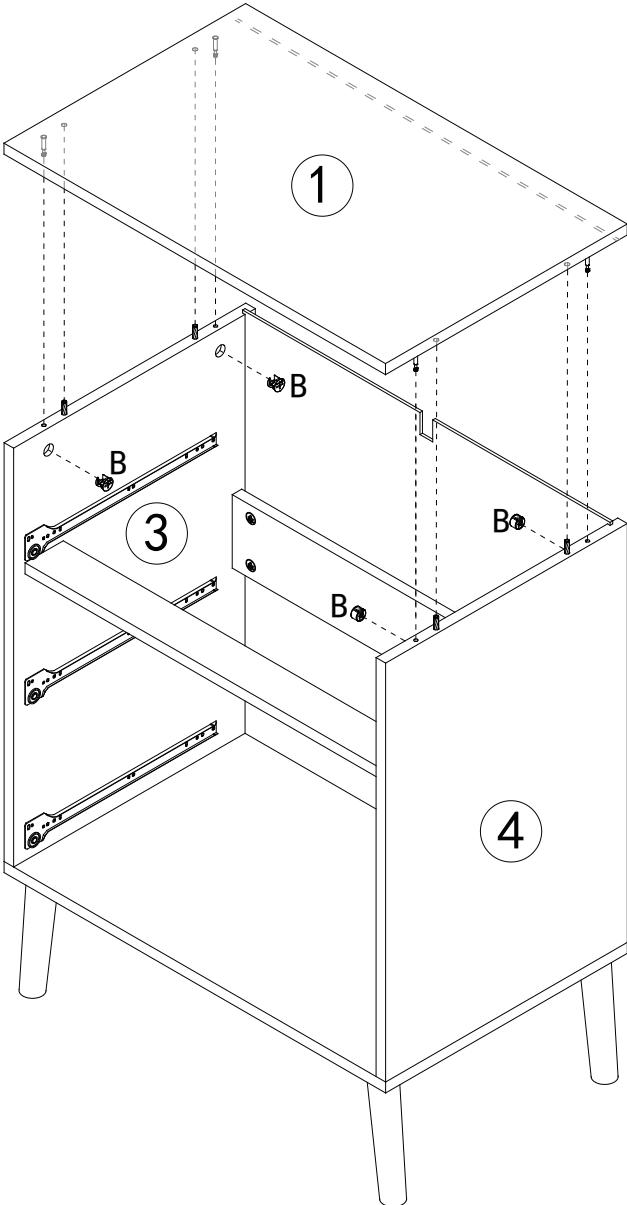
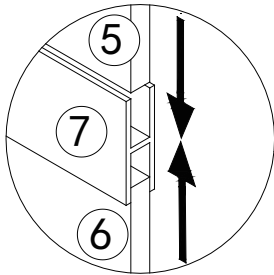


# Step 4

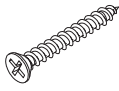



# Step 5

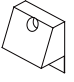
	
B	4PCS
C	4PCS

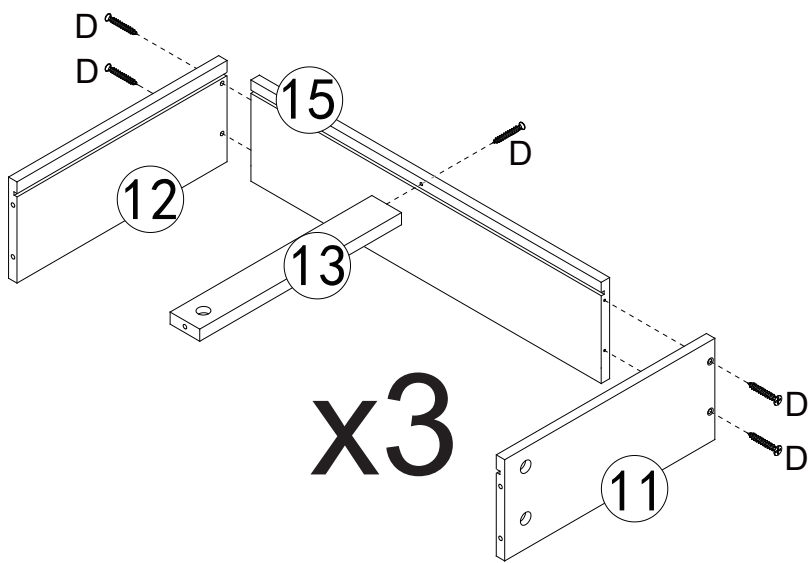
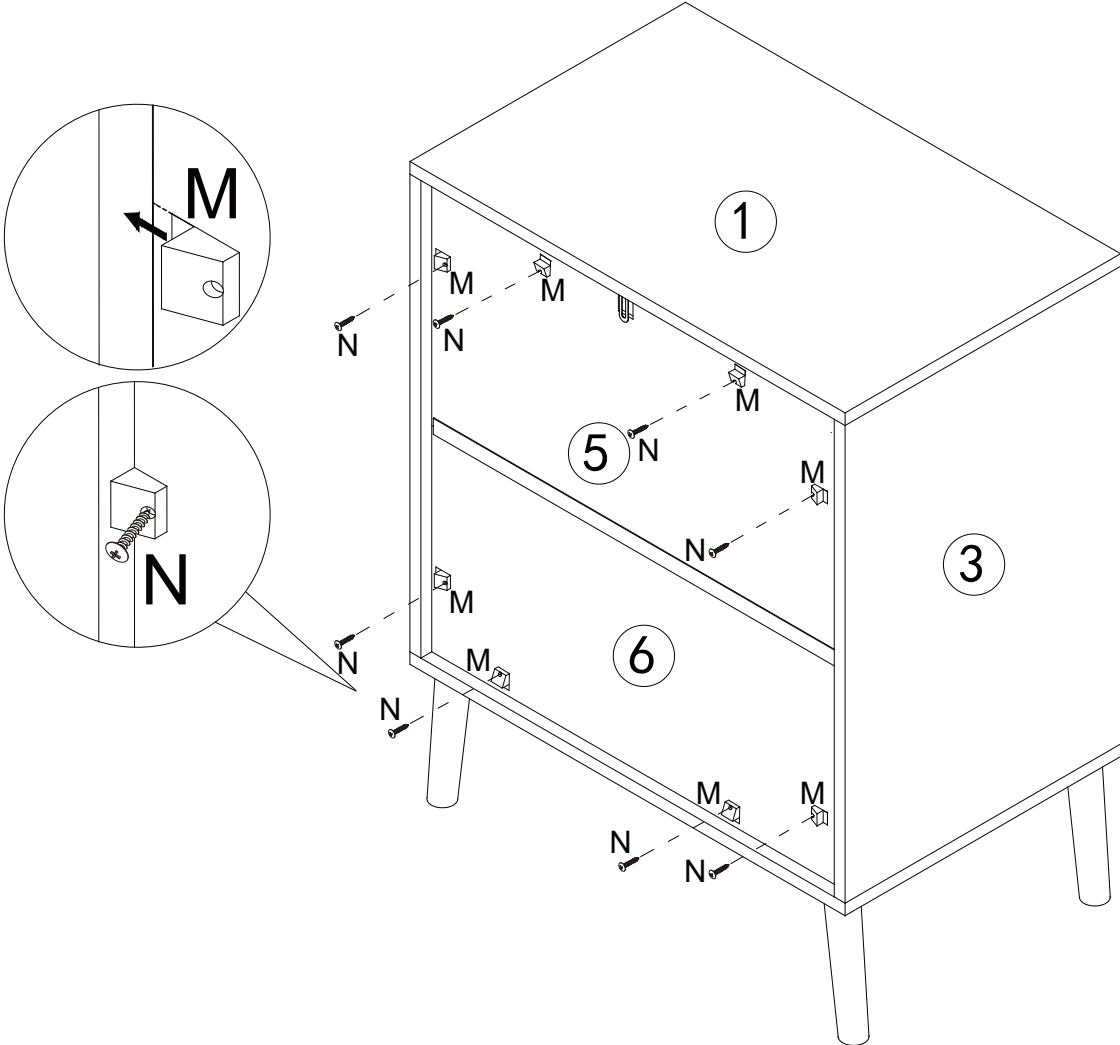


# Step 6

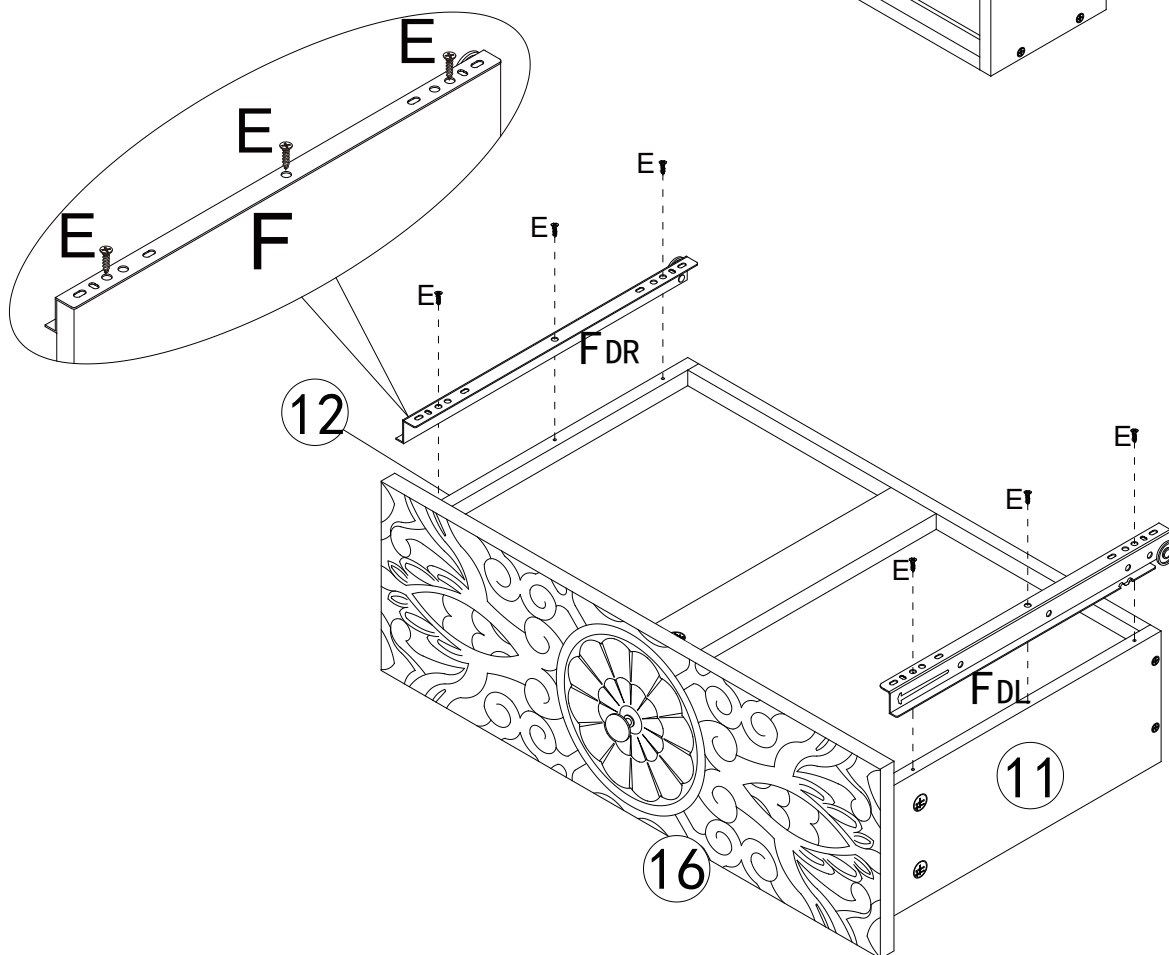
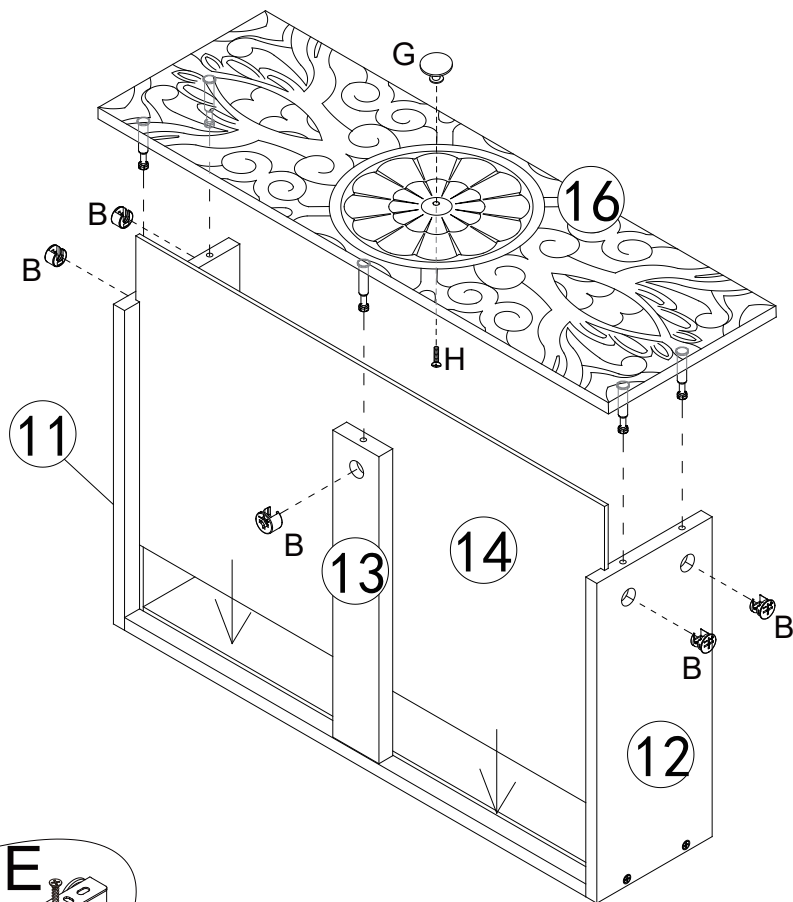
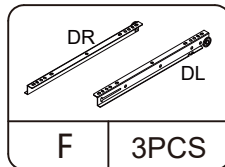
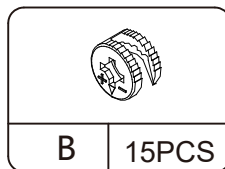
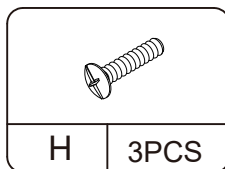
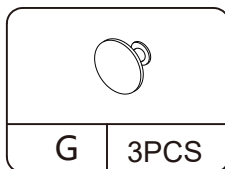
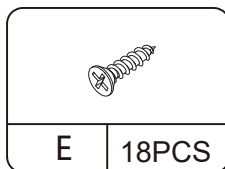
	
D	15PCS

	
N	8PCS

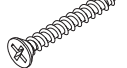
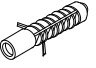
	
M	8PCS

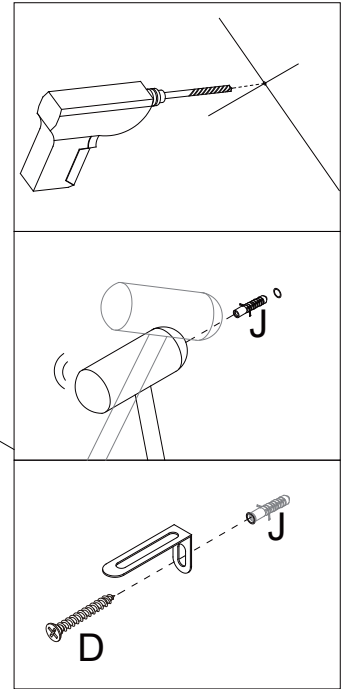
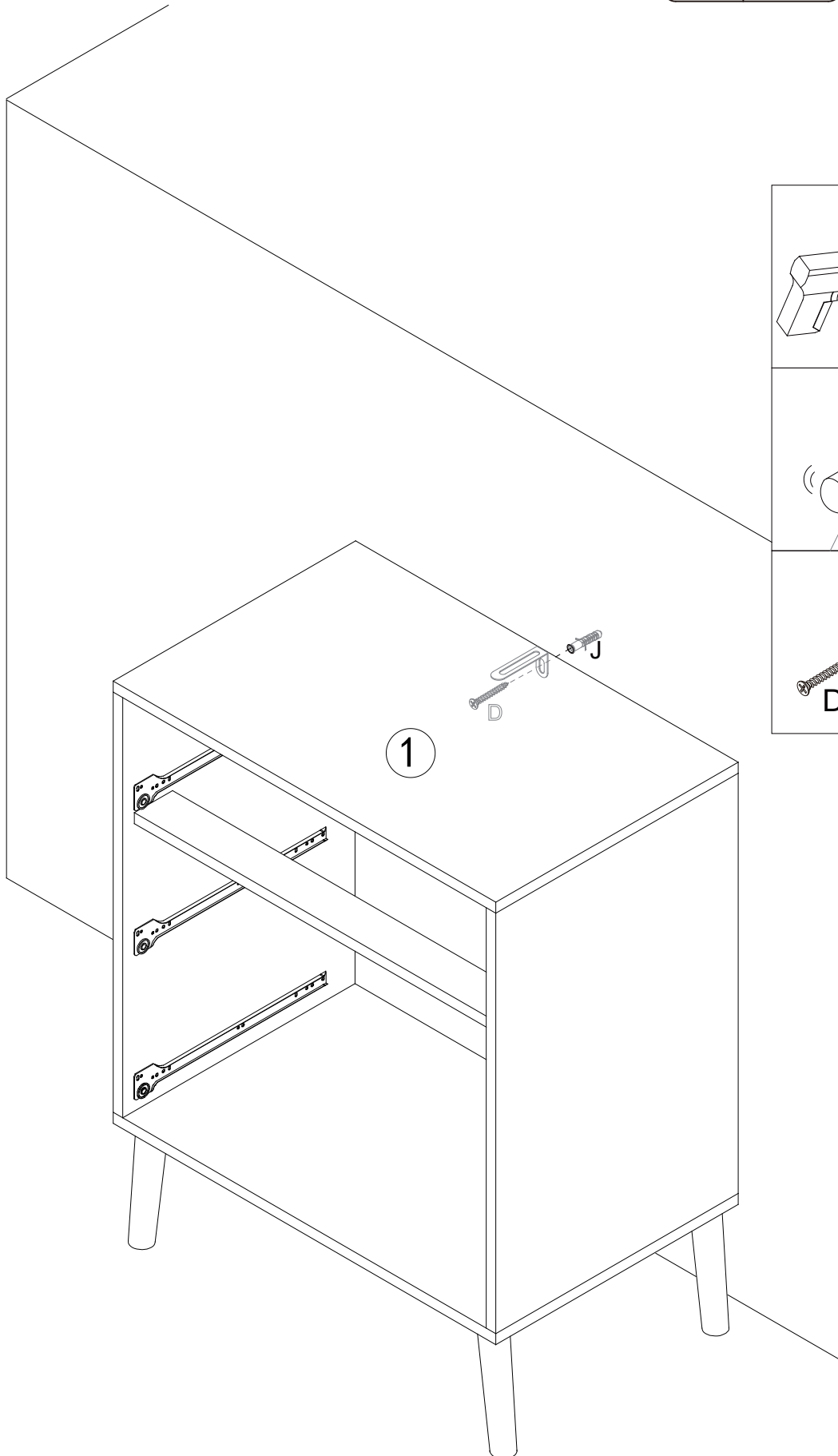


# Step 7

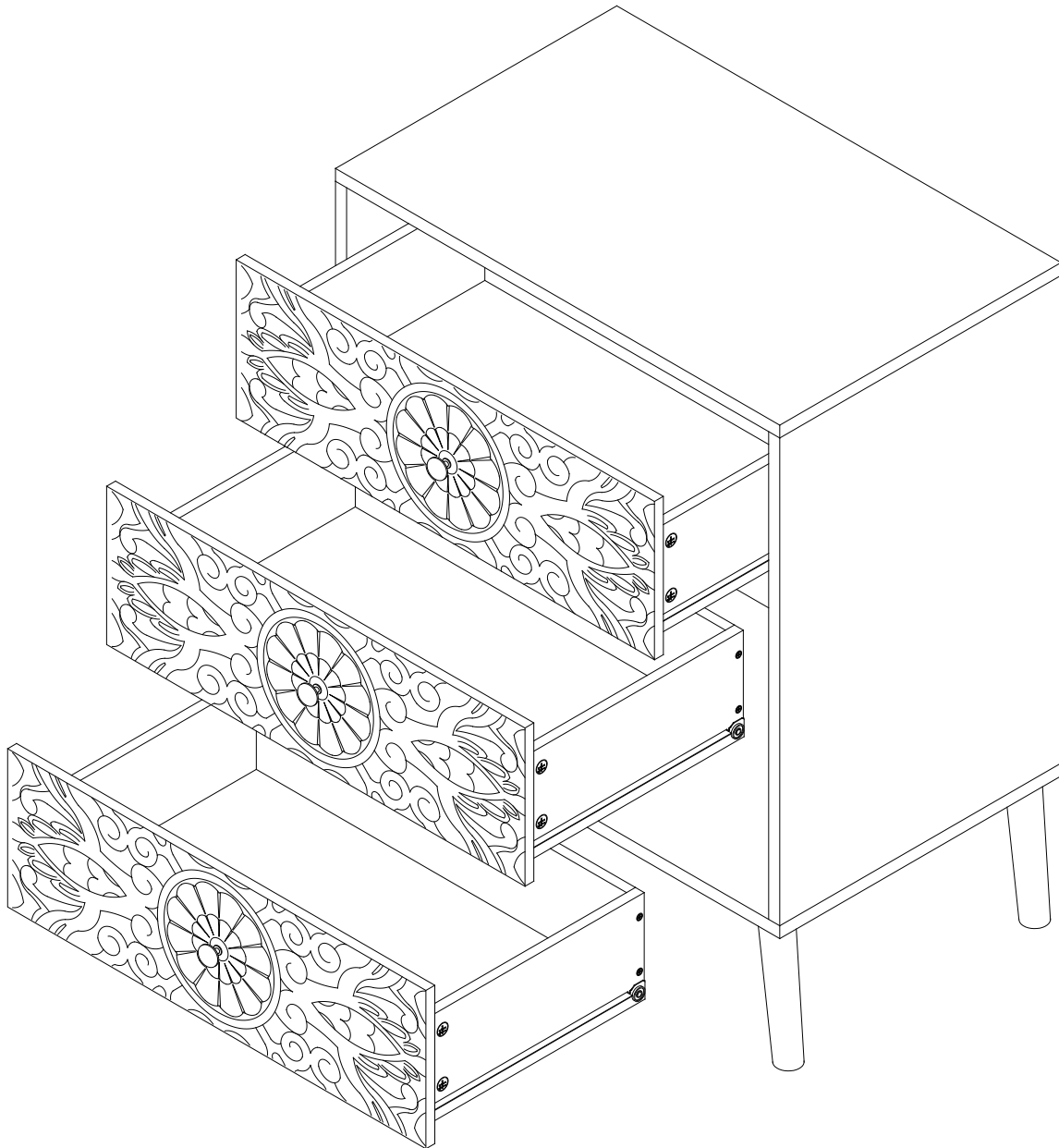


# Step 8

	
D	1PC
J	1PC



# Step 9



# Proper Use

- DO NOT** use for commercial purposes
- DO NOT** use as a step stool or stand on table
- DO NOT** put hot serving liquid directly on the table top
- DO NOT** leave spilled liquid on the table top
- DO NOT** use table if damaged
- DO NOT** exceed weight limit
- DO NOT** make temporary repairs
- DO NOT** use outdoor

Dear Customer :

Thank you for purchasing our product,we wish you satisfy our service,if you have any further questions or any quality issues, please show the belows number and don't hesitate to contact our Customer Service People: