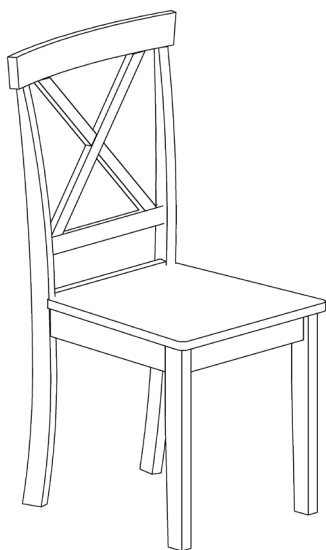


# DINING CHAIR

## ASSEMBLY GUIDE



**Important - Please read these instructions fully before starting assembly**



**SAFETY AND  
CARE ADVICE**



**NO POWER TOOLS**

**SAFETY AND CARE ADVICE**

- Check you have all the components and tools listed.
- Remove all fittings from the plastic bags and separate them into their groups.
- We do not recommend the use of power drills/drivers for inserting screws, as this could damage the unit. Only use hand screwdrivers and Allen keys.
- Keep children and animals away from the work area, small parts could cause choking if swallowed.
- Make sure you have enough space to lay out the parts before starting.
- Assemble the item as close to its final position (in the same room) as possible.
- Do not overtighten the nuts to avoid causing damage to the threads.
- Only clean using a damp cloth and mild detergent, do not use bleach or abrasive cleaners.
- From time to time check that there are no loose screws on this unit
- This product should not be discarded with household waste. Take to your local authority waste disposal centre

## IMPORTANT INFORMATION



30 MINUTE  
BUILD



TWO  
PERSON



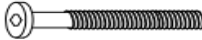

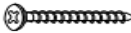


MAXIMUM  
CAPACITY  
120Kg

PLEASE CHECK CAREFULLY AND MAKE SURE YOU HAVE ALL FITTINGS AND TOOLS LISTED BELOW BEFORE YOU START.

### LIST OF PARTS

| No | Description | Qty |
|----|-------------|-----|
| 1  | Chair Back  | 2   |
| 2  | Front Legs  | 2   |
| 3  | Apron       | 4   |
| 4  | Seat        | 2   |

### HARDWARE LIST

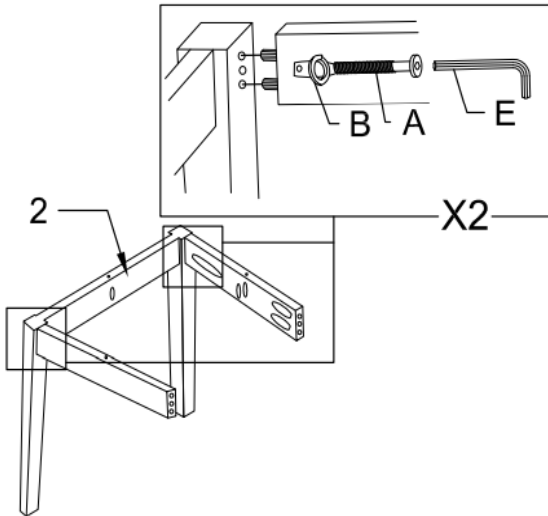
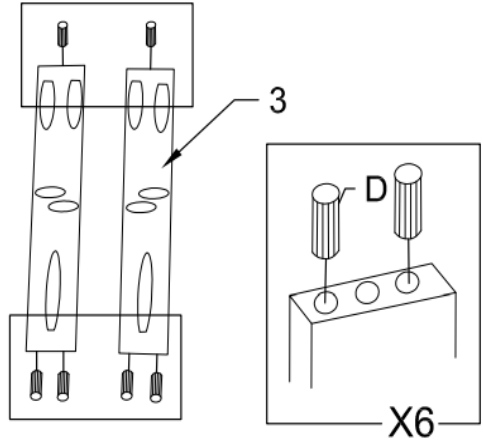
| No | Description   | Qty |
|----|---|-----|
| A  | JCBC           | 12  |
| B  | Spring Washer  | 12  |
| C  | Wood Screw     | 6   |
| D  | Wood Dowel     | 12  |
| E  | Allen Key      | 1   |

**NOTE:** The quantities above are the correct amount to complete the assembly for 2x chairs. In some cases more fittings may be supplied than are required.

## STEP 1

Use a clean, flat, soft surface to avoid any bumps or scratches.

Insert 6 x dowels into the ends of 2 x support aprons [3] - 2 in one end and 1 in the other.



## STEP 2

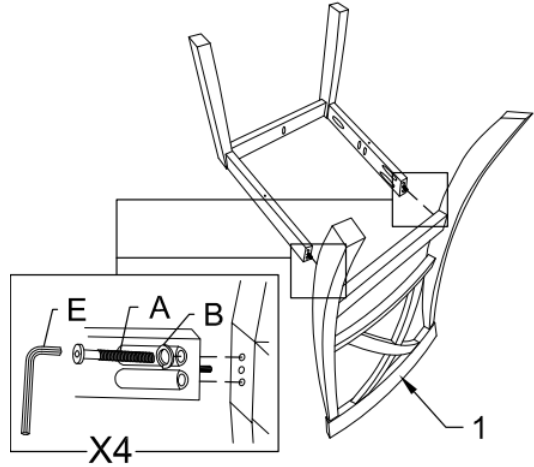
Align the dowels on the 2 x support aprons [3] with the pre drilled holes on front leg [2].

Secure using 2 x spring washer [B] and 2 x bolt [A] into the pre drilled holes. Tighten using allen key [E]

### STEP 3

Place the chair back [1] upside down and align the dowel on the other end of the 2 x support aprons [3] with the pre drilled holes.

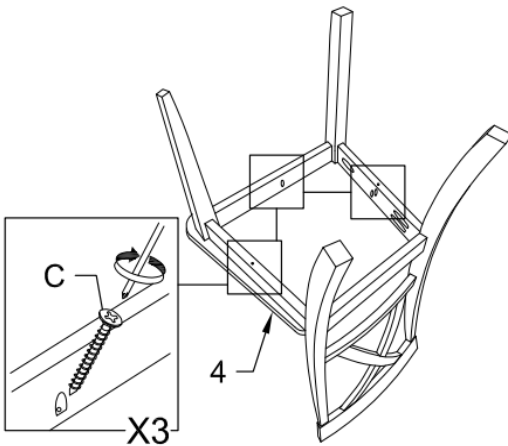
Secure using 2 x spring washer [B] and 2 x bolt [A] into the pre drilled holes. Tighten using allen key [E]



### STEP 4

Place seat pad [4] upside down under the seat frame and align with the pre drilled holes.

Secure using 3 x screw [C] and tighten with a screwdriver.



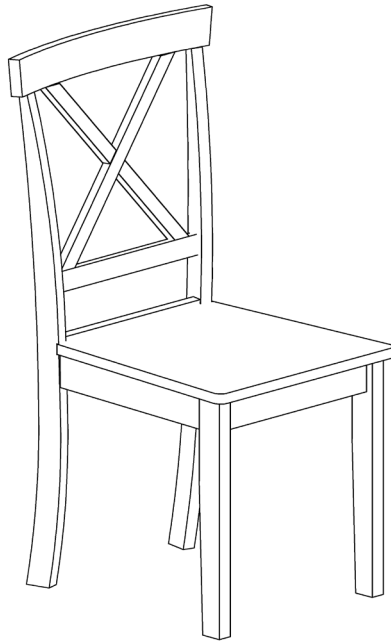
Repeat all steps for the second chair.

## STEP 5

Carefully, and with help, flip the chairs upright on to the legs. Check the stability.

Your Chairs are now ready to use!

**NOTE:** This chair is not suitable to stand on.





**OUR 2 YEAR GUARANTEE**



## WHAT THE GUARANTEE COVERS

---



**PRE-INSERTED FIXINGS**  
e.g. loose metal threads



**FAULTY JOINTS**  
e.g. legs bending



**EXTERNAL FIXING FAULTS**  
e.g. metal discs removing  
from table top



**STRUCTURAL INTEGRITY**  
e.g. the frame of the  
product