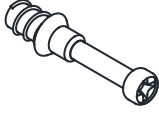



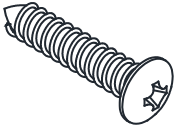
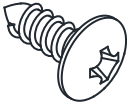
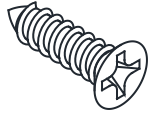
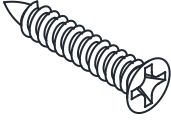

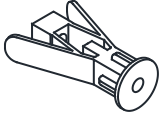
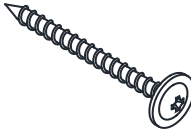
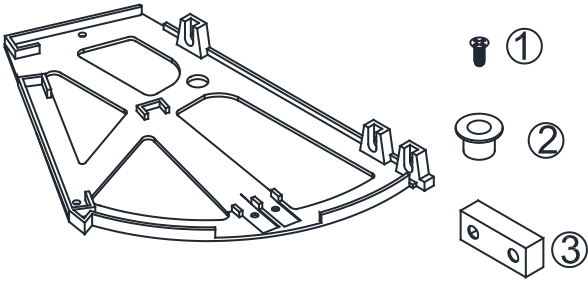
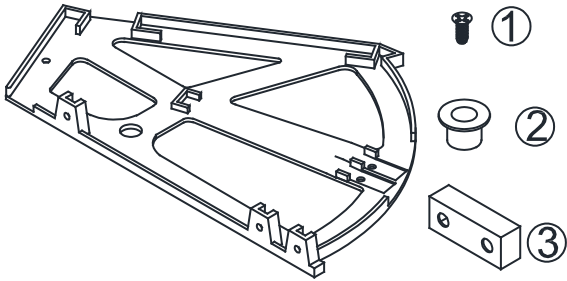


Shoe Cabinet with 3 Flip Drawers



Please check that you have all the parts listed below

<p>Ⓐ x 25pcs</p>  <p>M6*32mm</p>	<p>Ⓑ x 25pcs</p>  <p>Ø15*9mm</p>	<p>Ⓒ x 25pcs</p>  <p>Ø25mm</p>	<p>Ⓓ x 4pcs</p>  <p>Ø6*30mm</p>
<p>Ⓔ x 2pcs</p>  <p>M5*40mm</p>	<p>Ⓕ x 22pcs</p>  <p>M4*12mm</p>	<p>Ⓖ x 30pcs</p>  <p>M4*15mm</p>	<p>Ⓗ x 18pcs</p>  <p>M3*20mm</p>
<p>Ⓙ x 12pcs</p>  <p>Ø10*1.5mm</p>	<p>Ⓚ x 1pcs</p> 	<p>Ⓛ x 1pcs</p>  <p>M4*50mm</p>	
<p>Ⓟ x 3pcs</p> 		<p>Ⓠ x 3pcs</p> 	

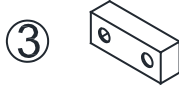
1

(H) x 12pcs



M3*20mm

(P) x 6pcs

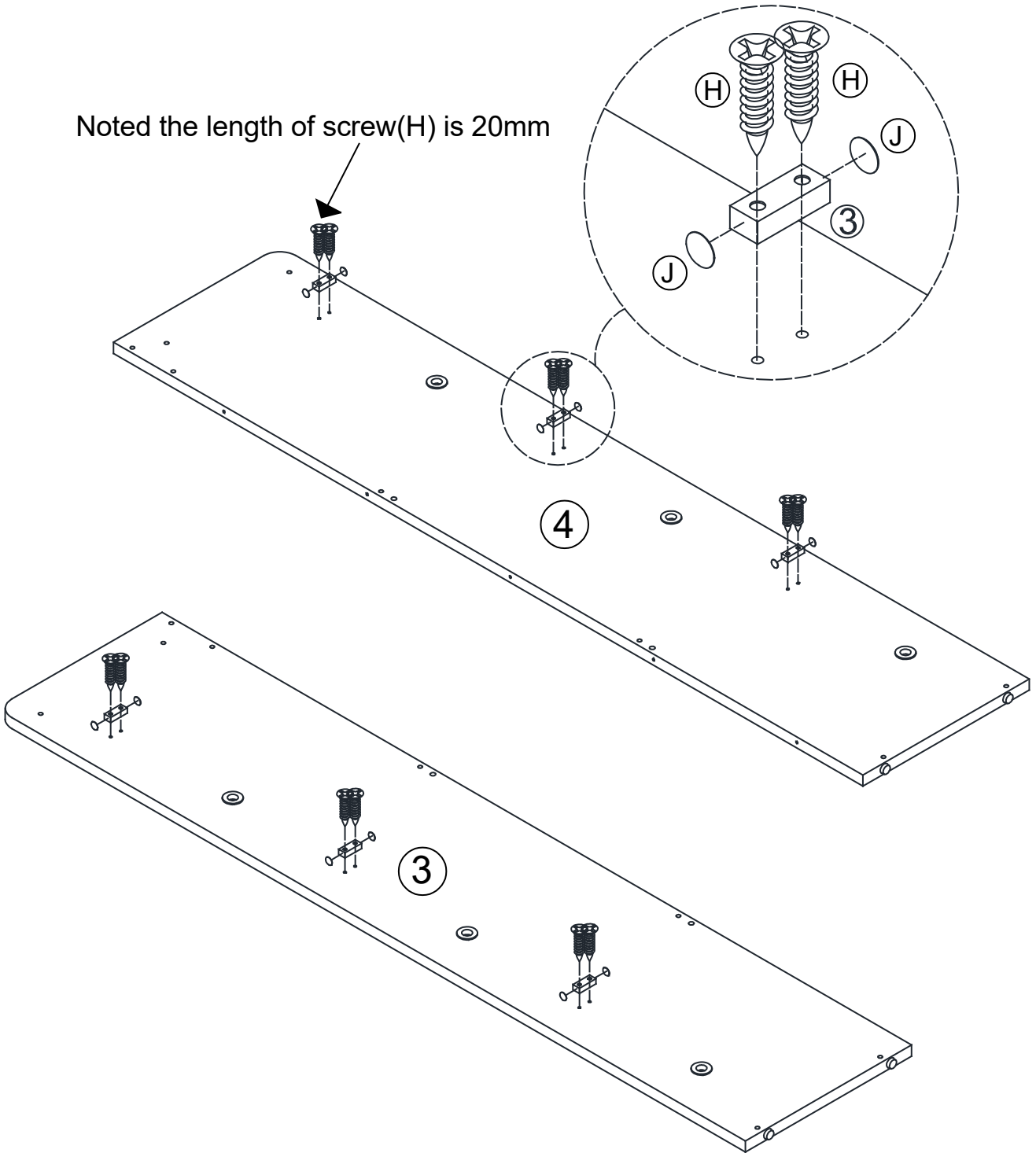


(3)

(J) x 12pcs

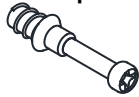


Noted the length of screw(H) is 20mm

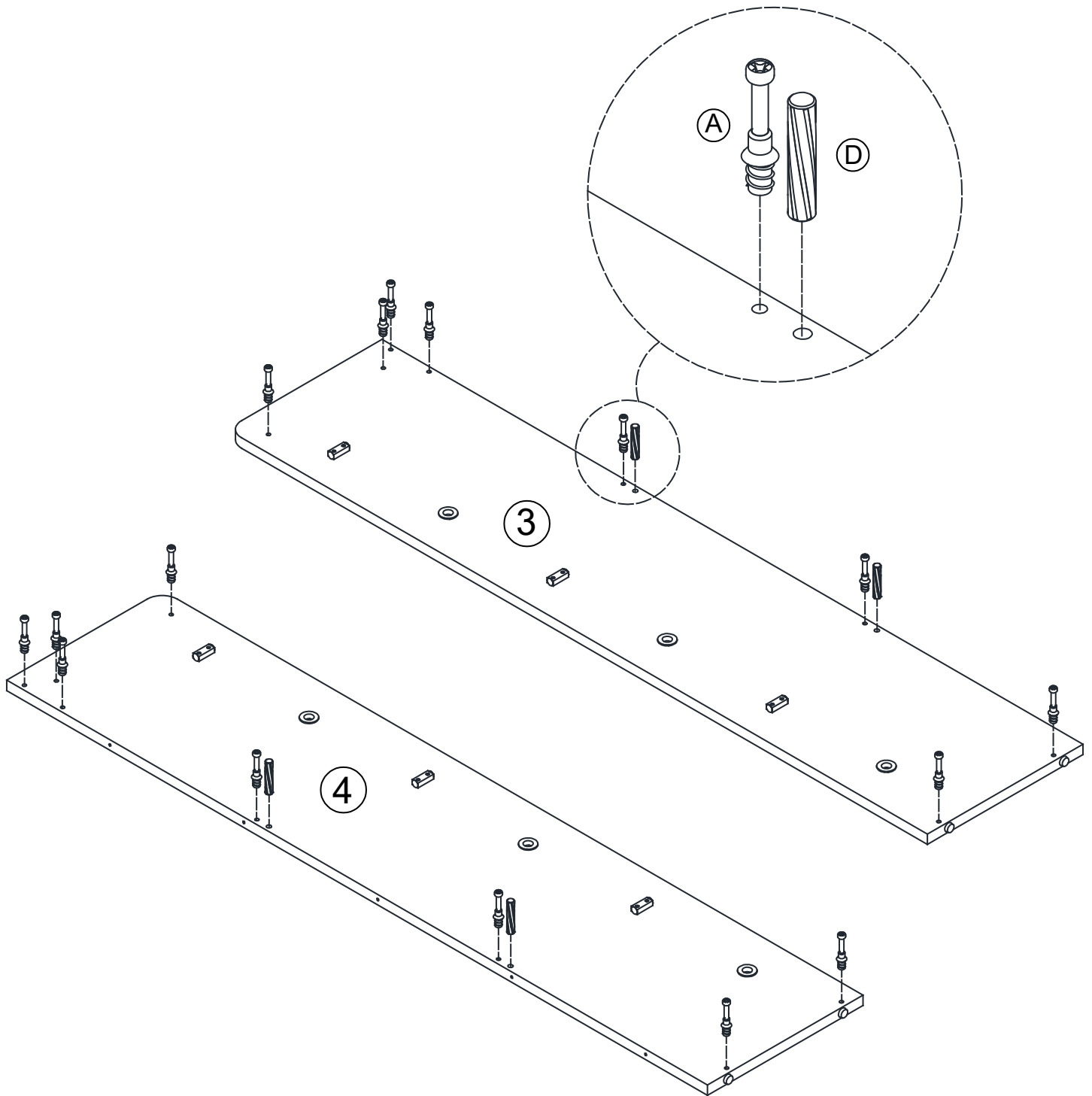


2

(A) x 16pcs

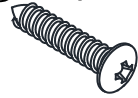


(D) x 4pcs



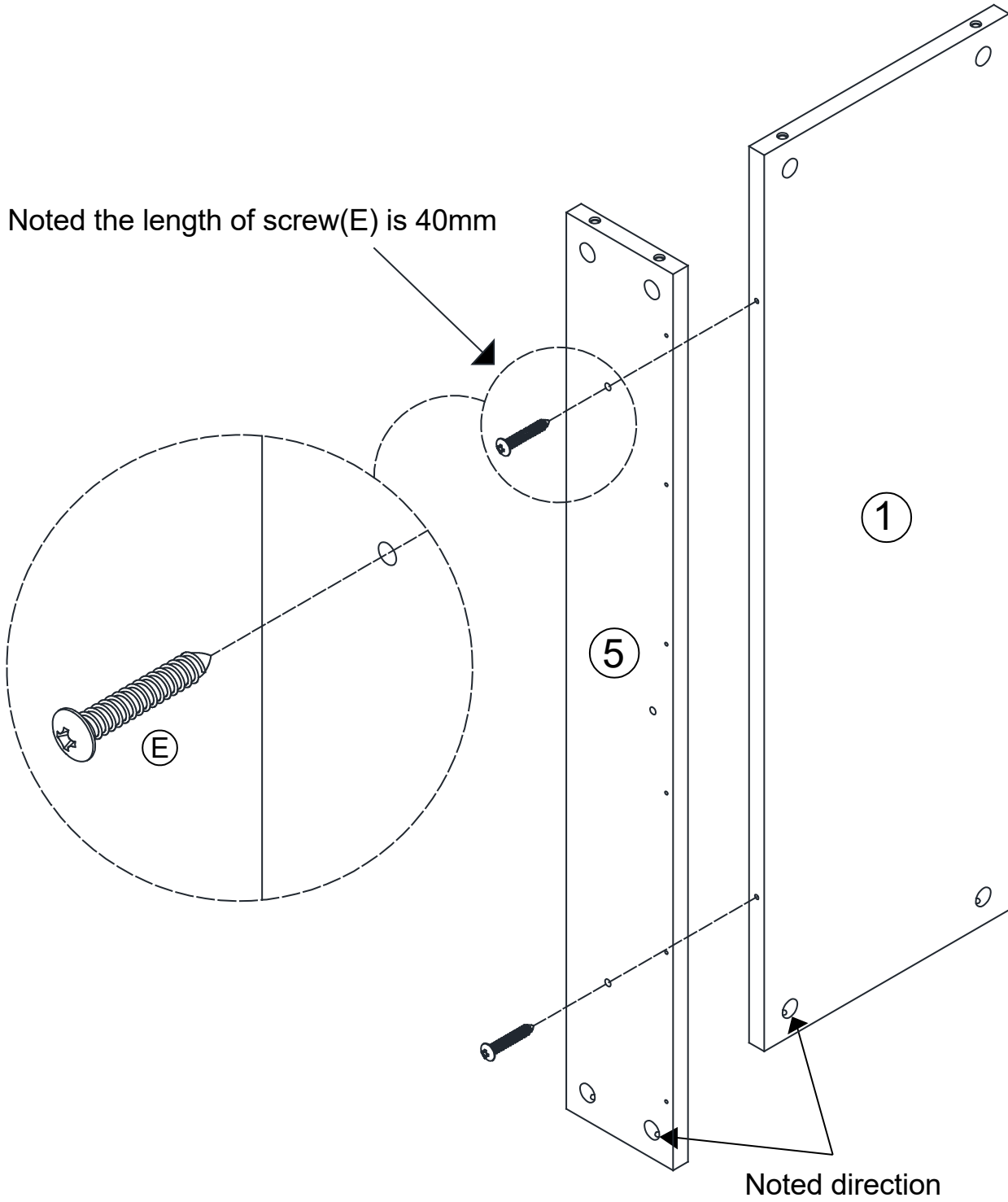
3

Ⓔ x 2pcs



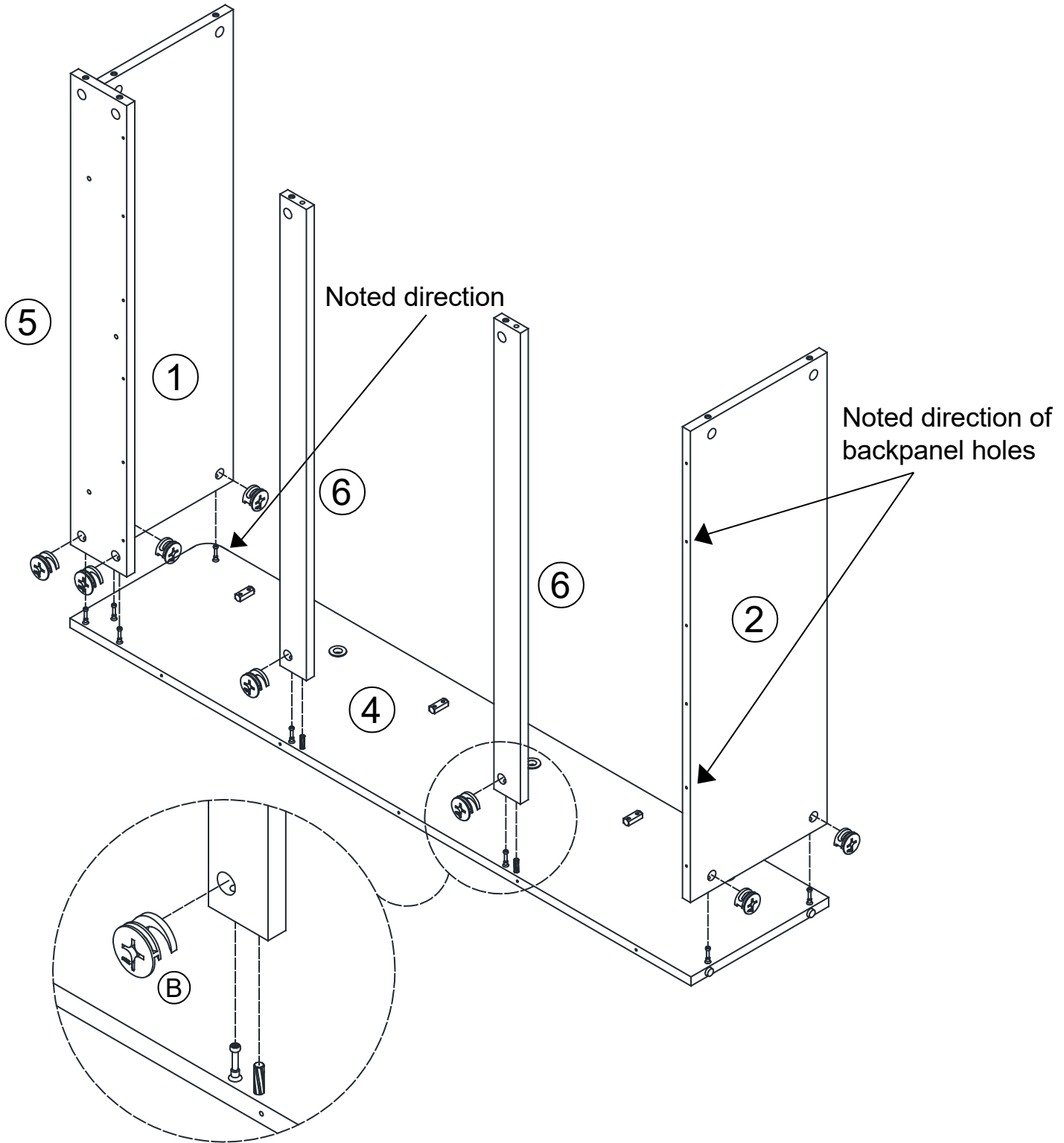
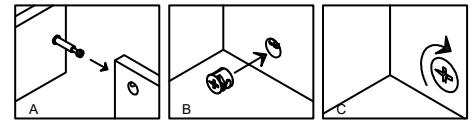
M5*40mm

Noted the length of screw(E) is 40mm



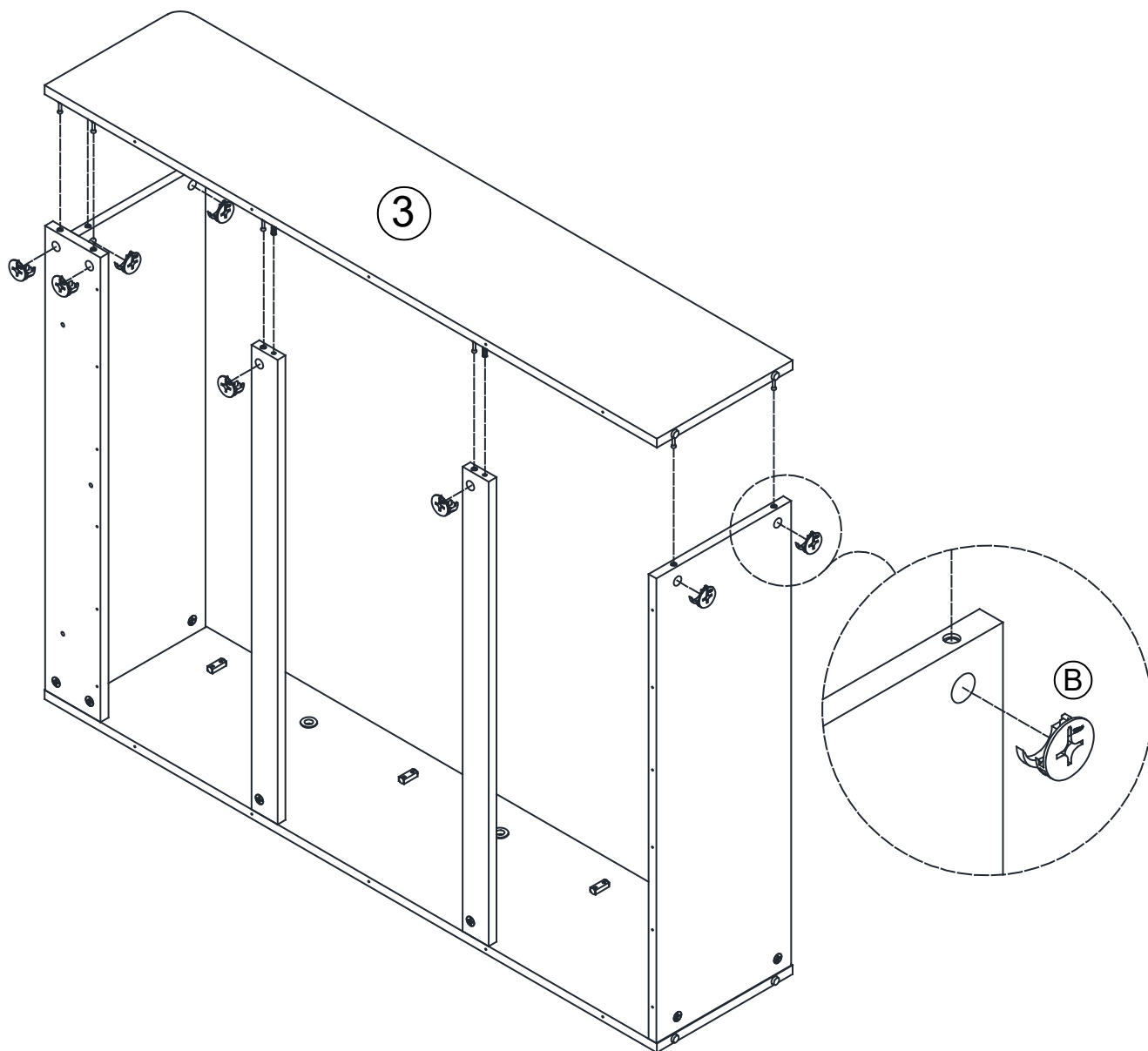
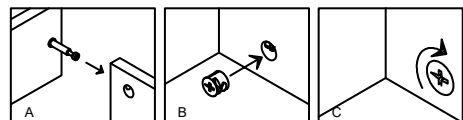
4

(B) x 8pcs



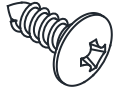
5

(B) x 8pcs

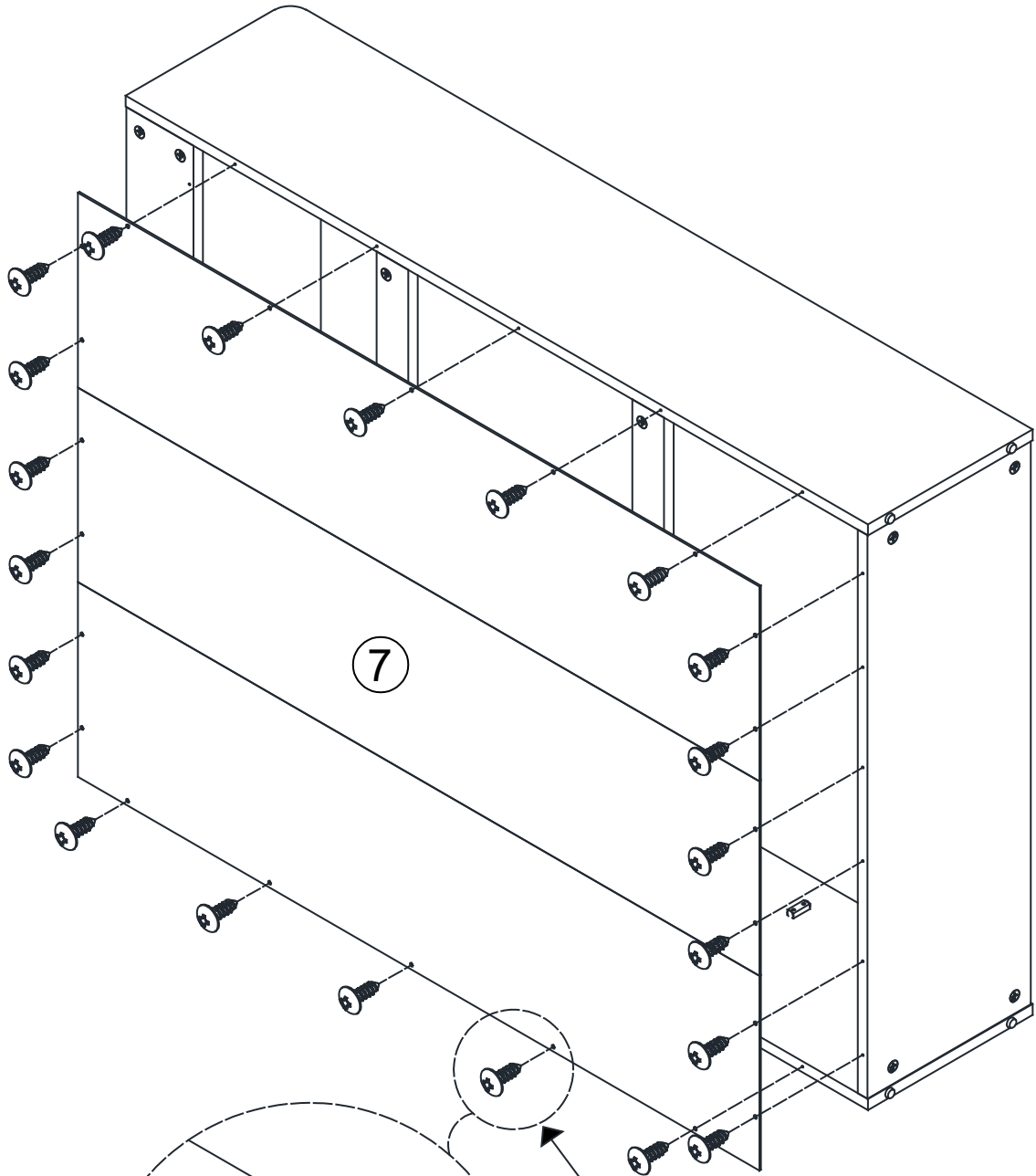


6

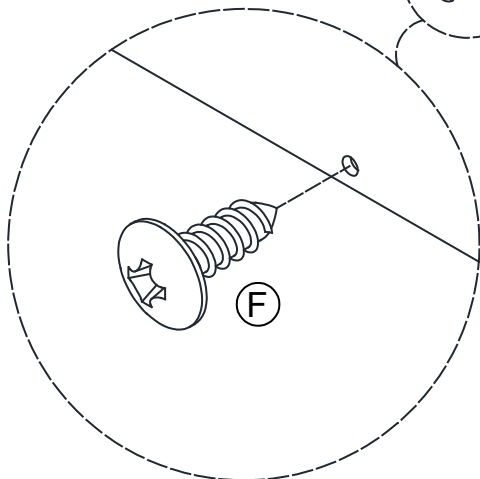
(F) x 22pcs



M4*12mm

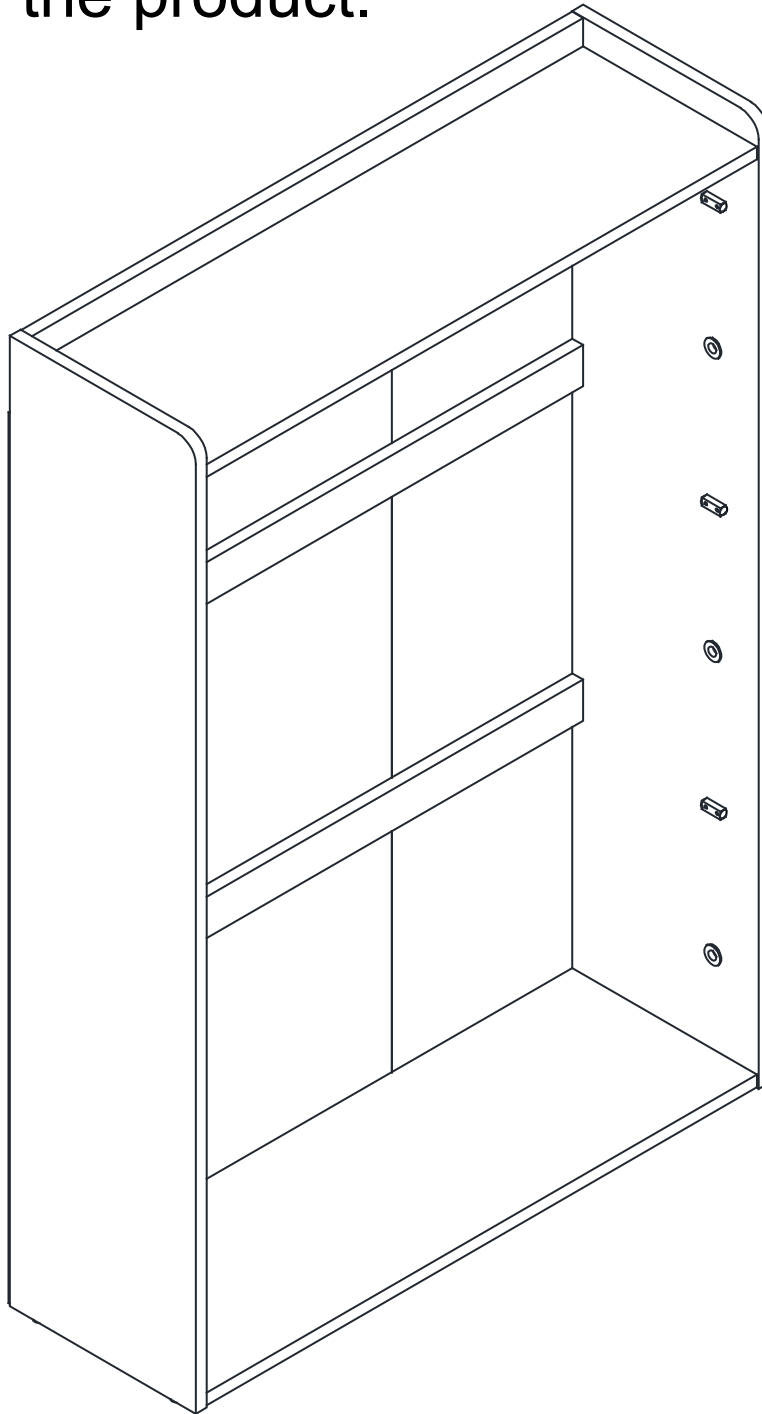


Noted the length of screw(F) is 12mm



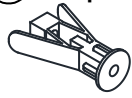
7

Please be careful to stand up the product.



8

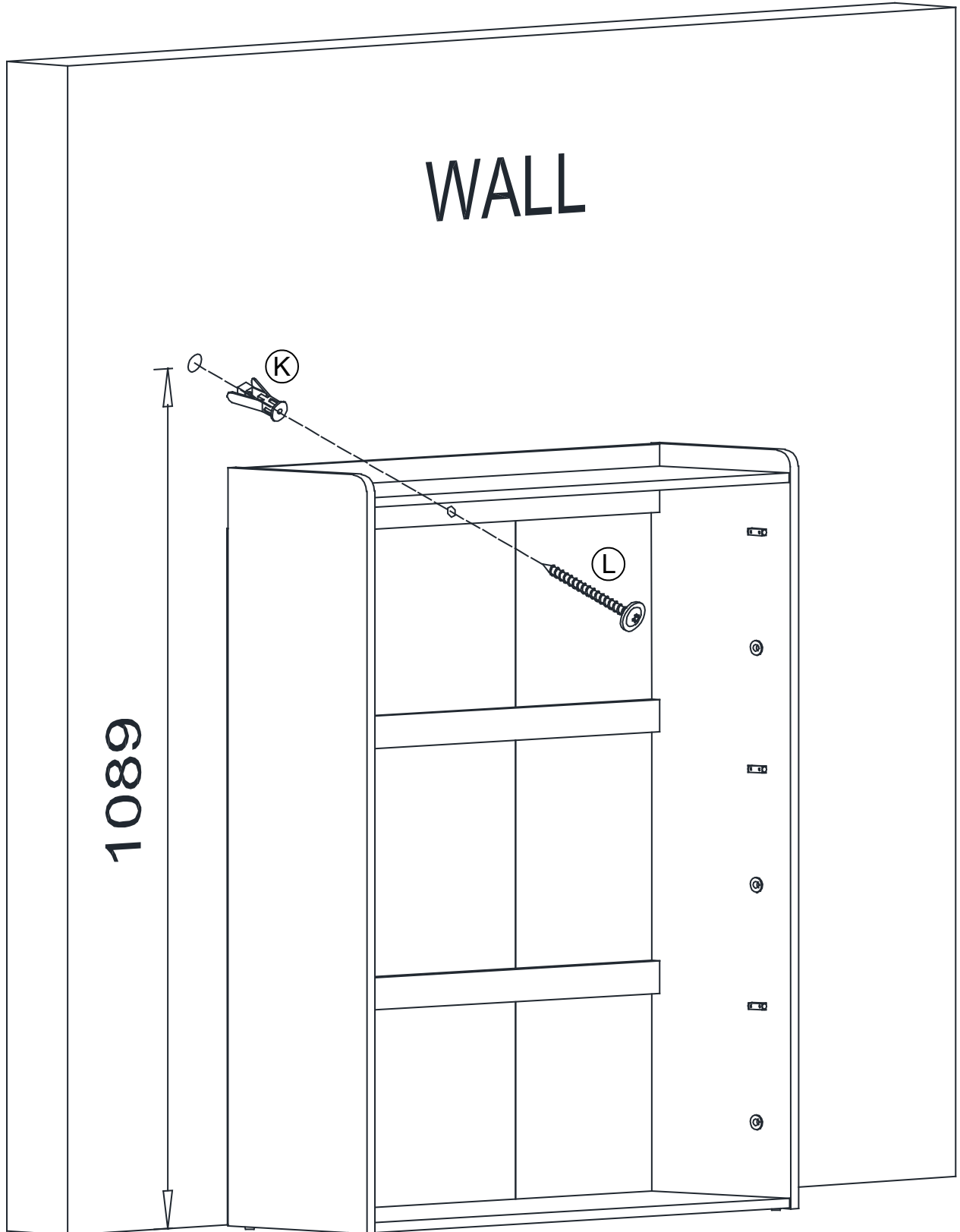
(K) x 1pcs



(L) x 1pcs

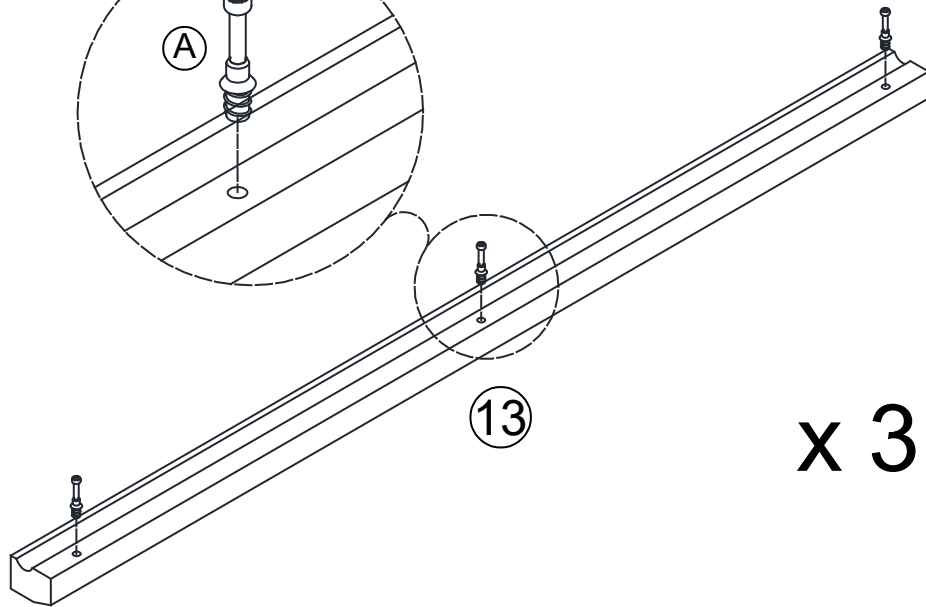
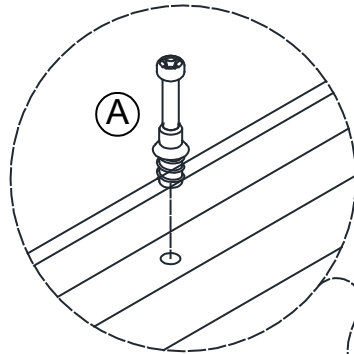
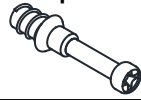


M4*50mm



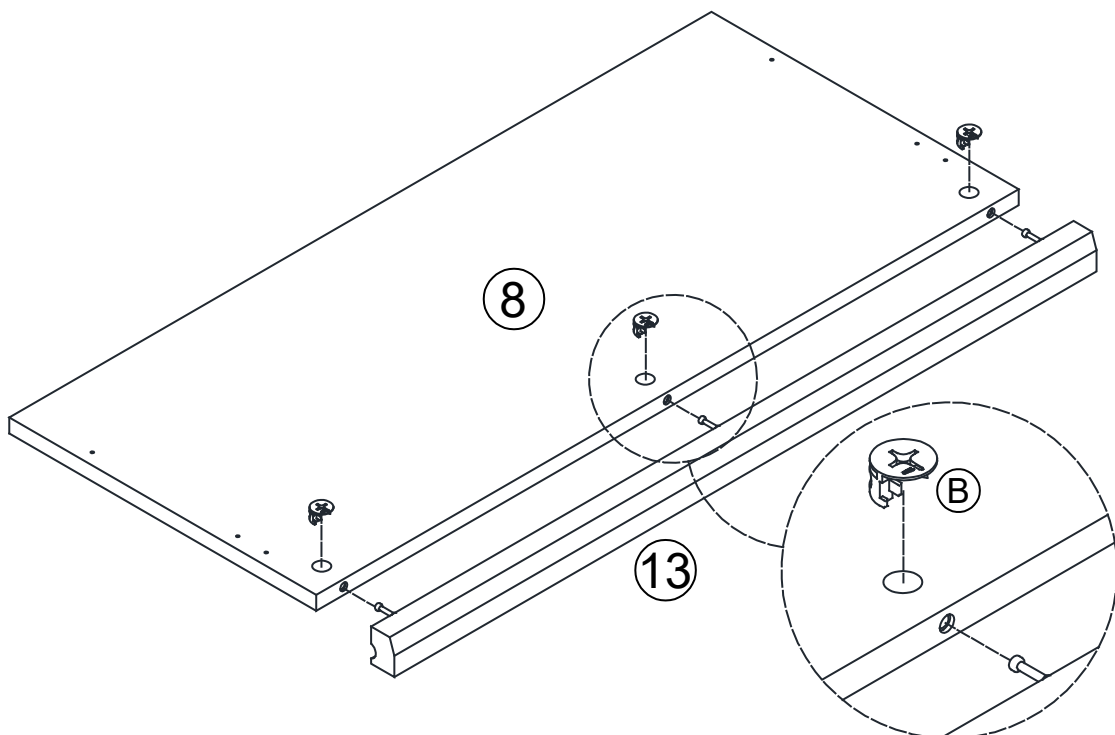
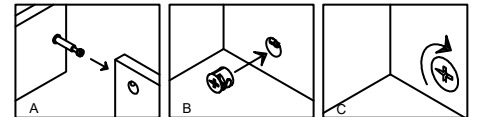
9

(A) x 9 pcs



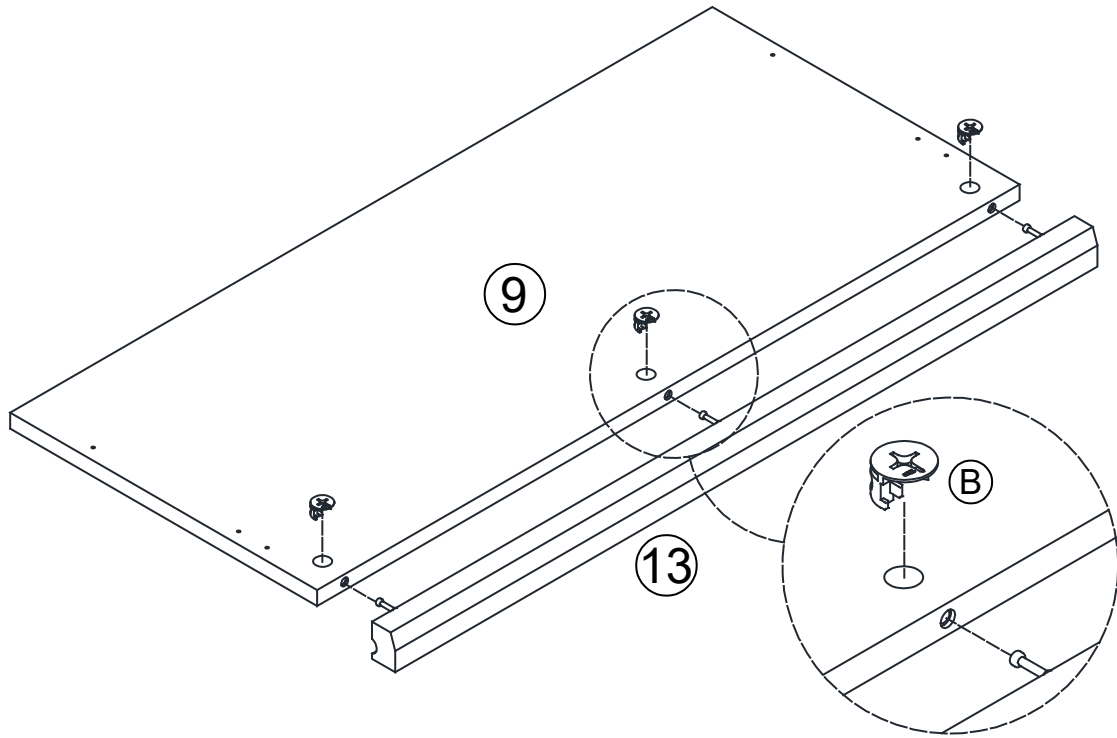
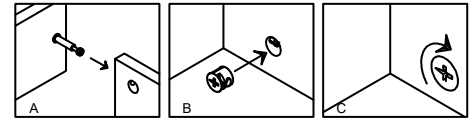
10

(B) x 3 pcs



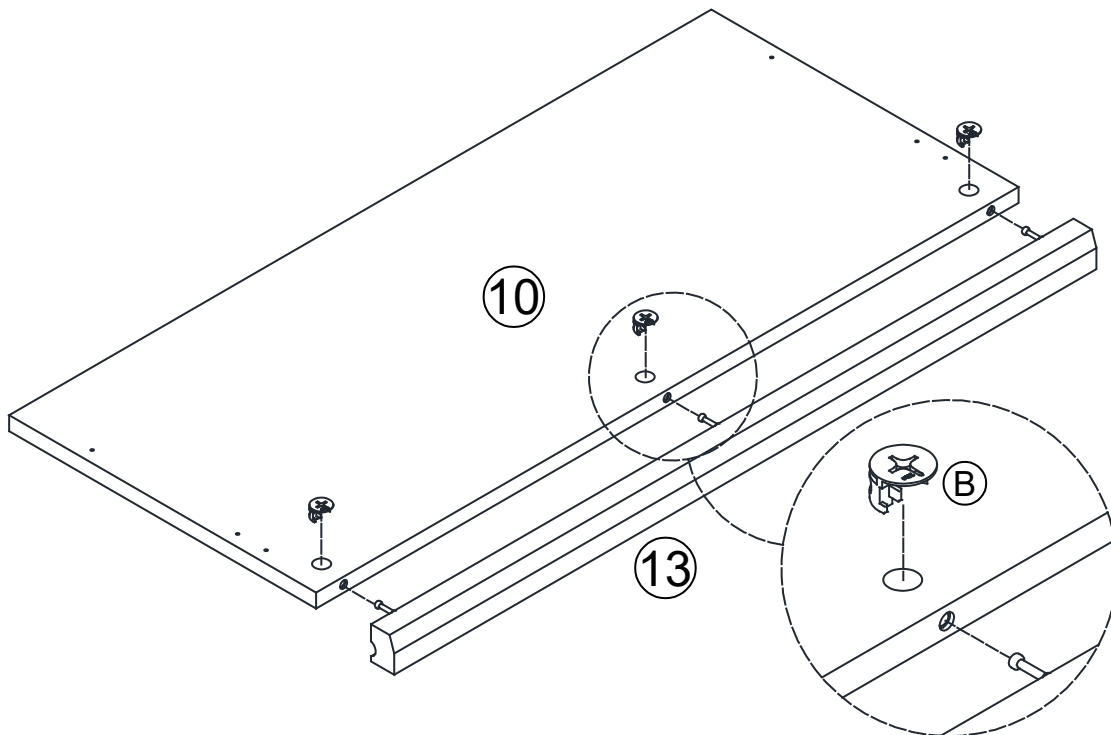
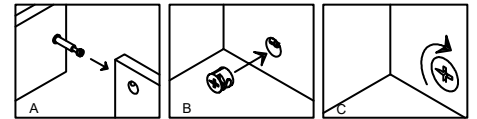
11

(B) x 3pcs



12

(B) x 3pcs



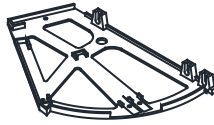
13

ⓐ x 6pcs

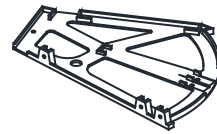


M4*15mm

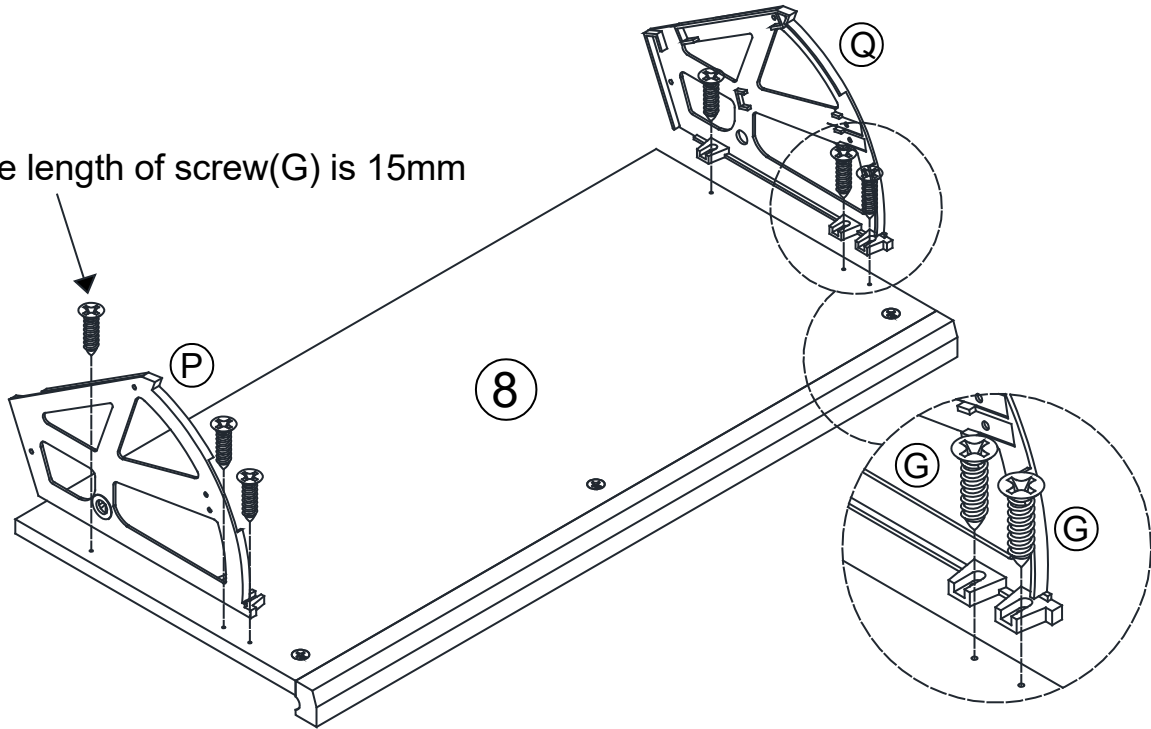
Ⓟ x 1pcs



Ⓠ x 1pcs



Noted the length of screw(G) is 15mm



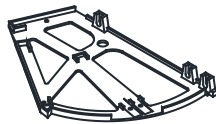
14

ⓐ x 6pcs

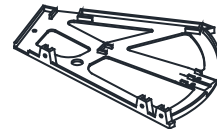


M4*15mm

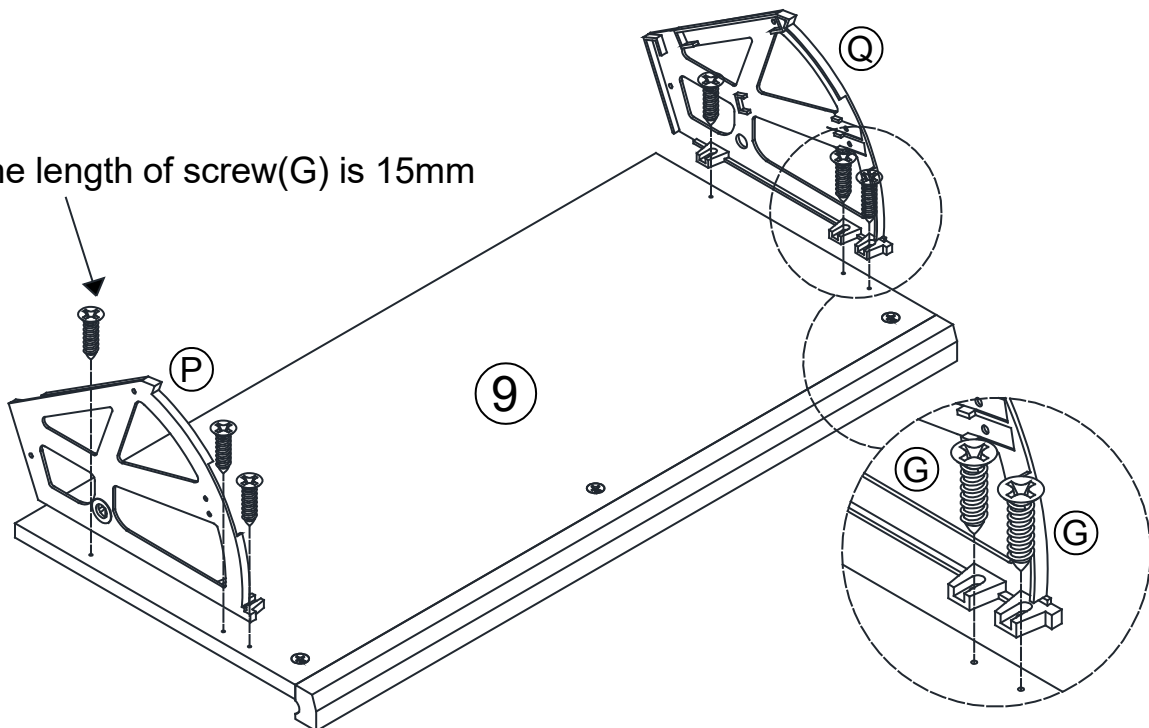
Ⓟ x 1pcs



Ⓠ x 1pcs



Noted the length of screw(G) is 15mm



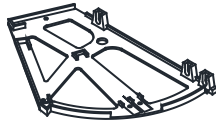
15

Ⓒ x 6pcs

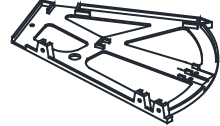


M4*15mm

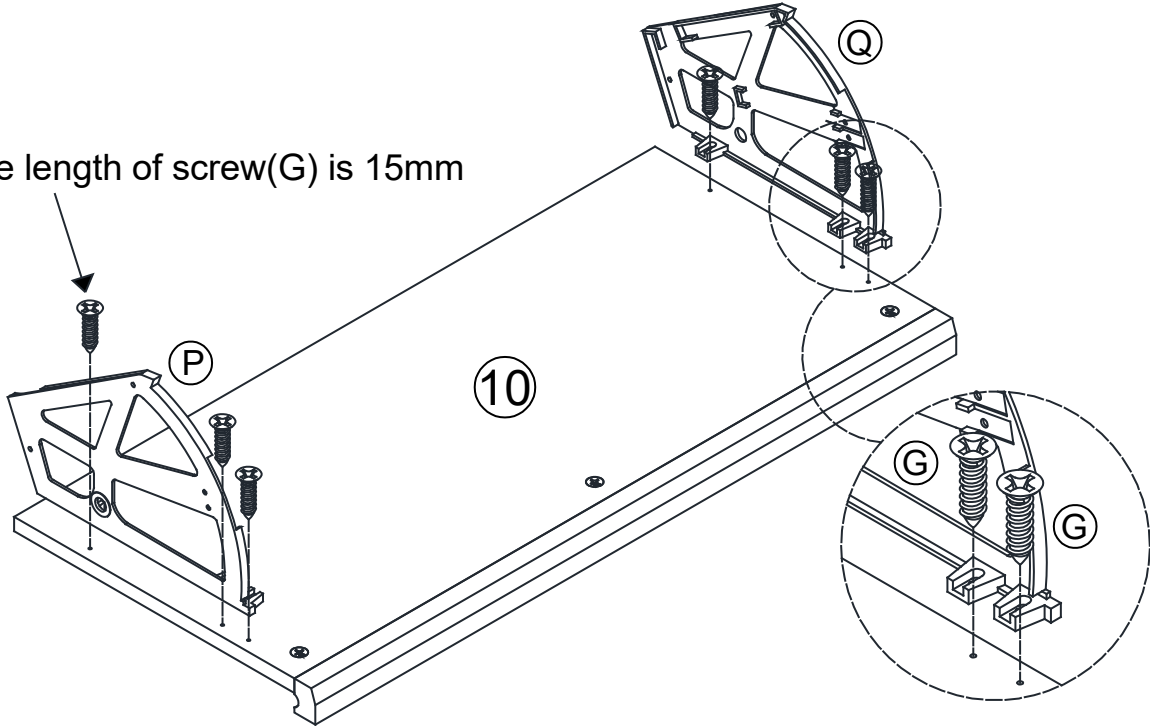
⒫ x 1pcs



Ⓖ x 1pcs



Noted the length of screw(G) is 15mm

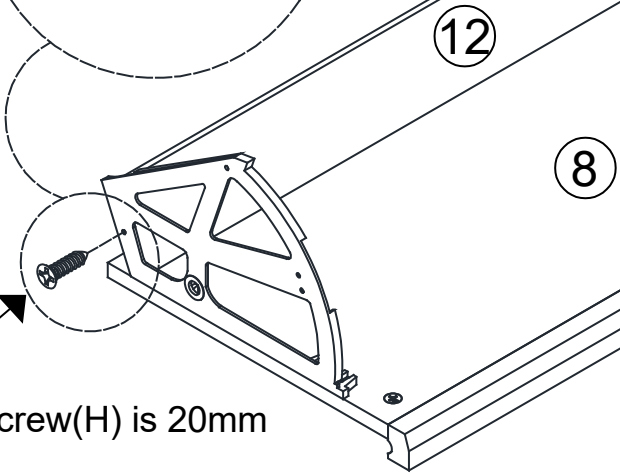
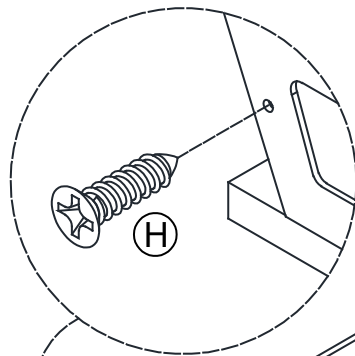


16

Ⓗ x 2pcs



M3*20mm



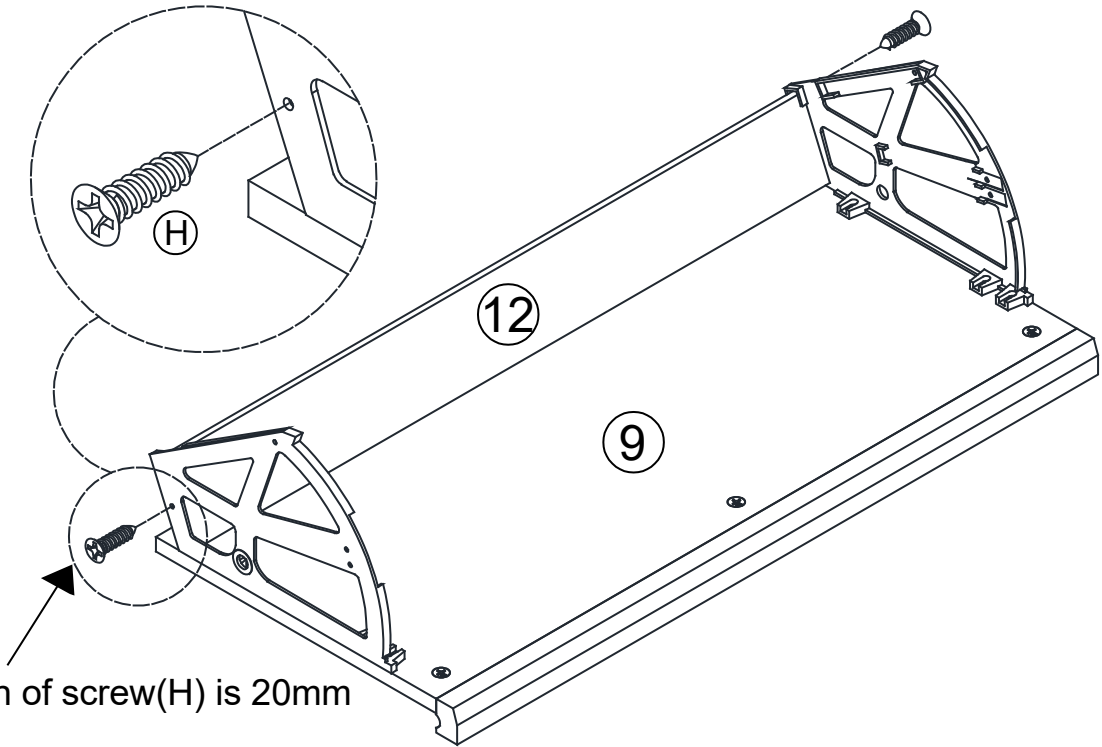
Noted the length of screw(H) is 20mm

17

(H) x 2pcs



M3*20mm



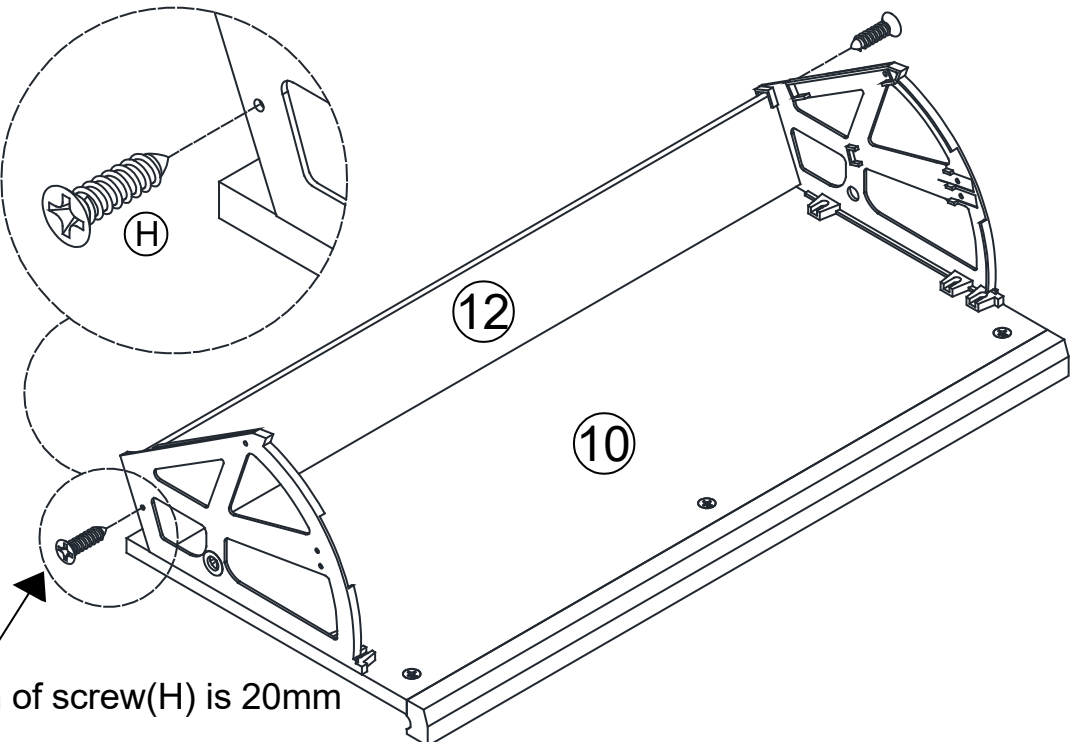
Noted the length of screw(H) is 20mm

18

(H) x 2pcs



M3*20mm



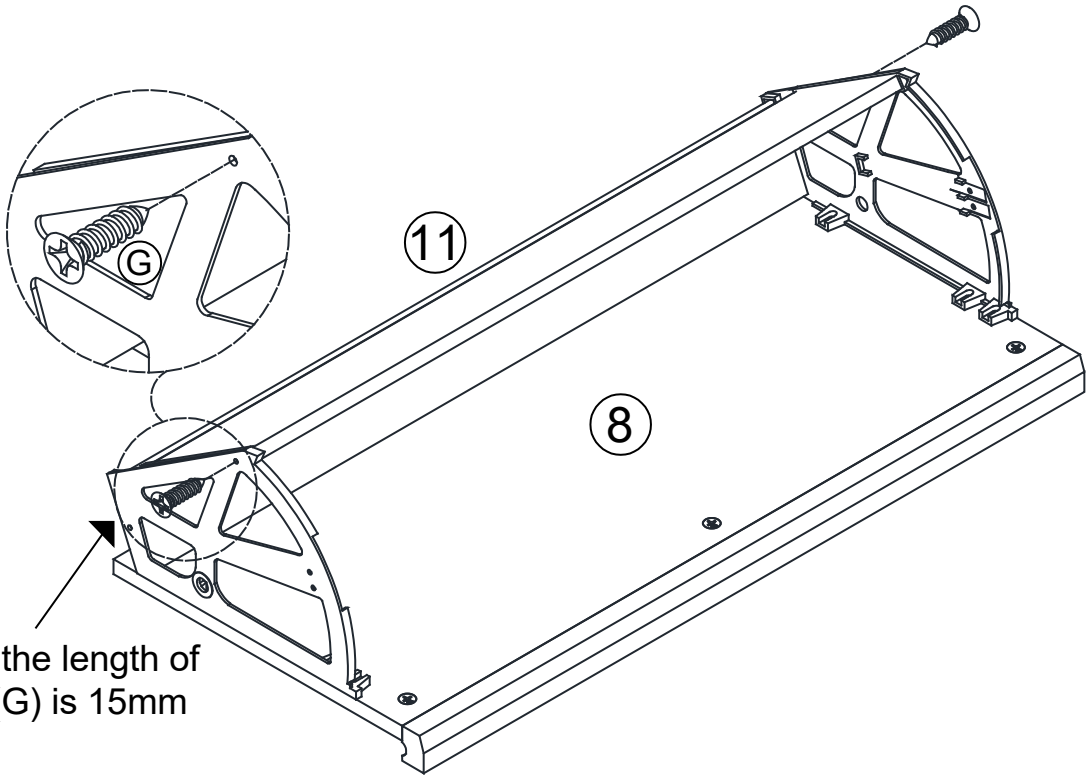
Noted the length of screw(H) is 20mm

19

ⓐ x 2pcs



M4*15mm



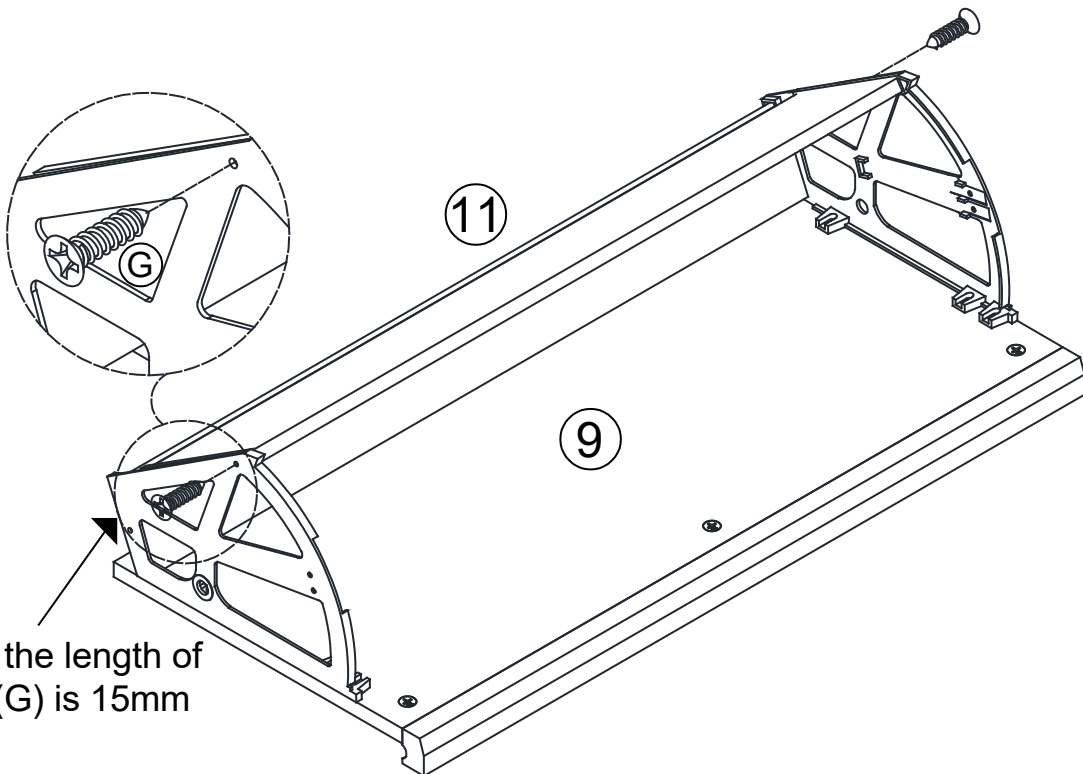
Noted the length of screw(G) is 15mm

20

ⓐ x 2pcs



M4*15mm



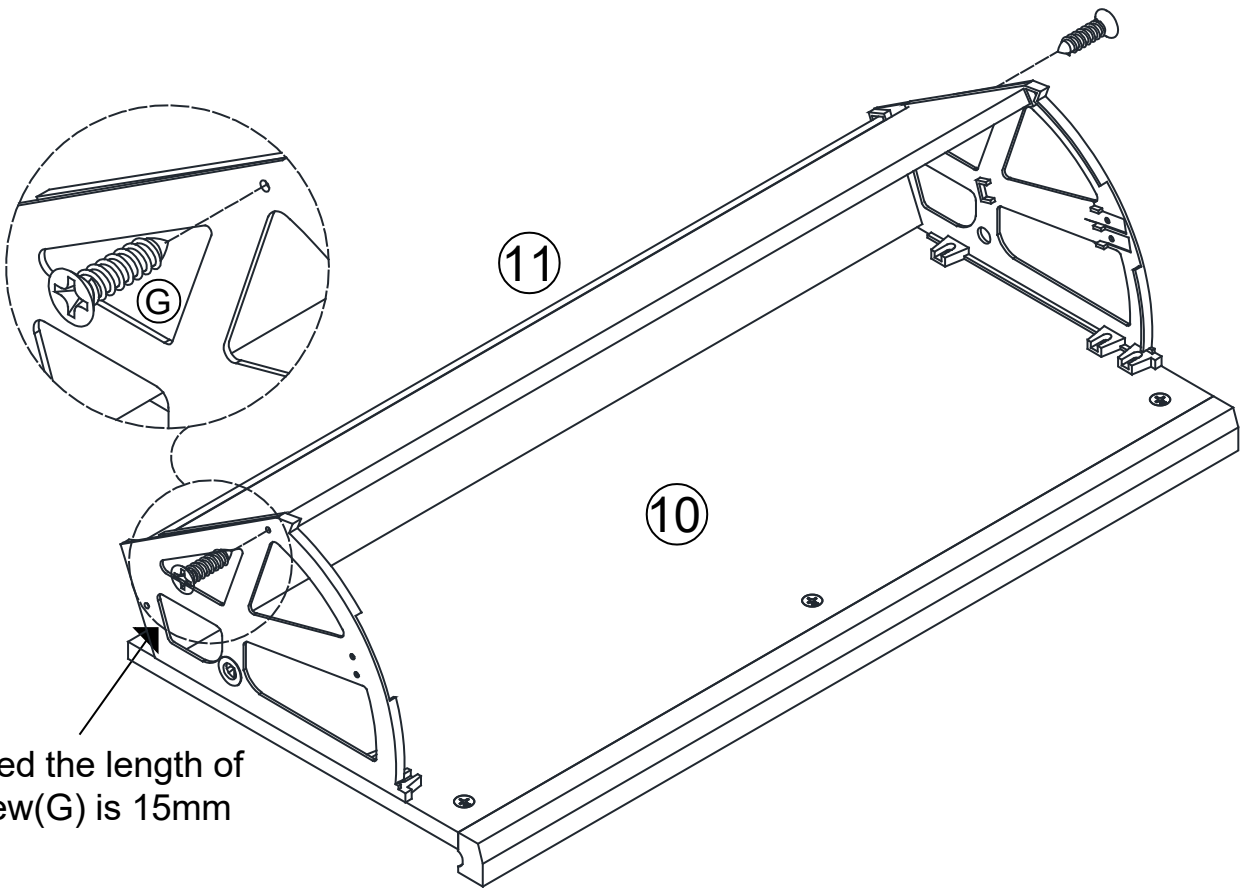
Noted the length of screw(G) is 15mm

21

Ⓒ x 2pcs



M4*15mm



Noted the length of screw(G) is 15mm

23

Ⓟ x 4pcs

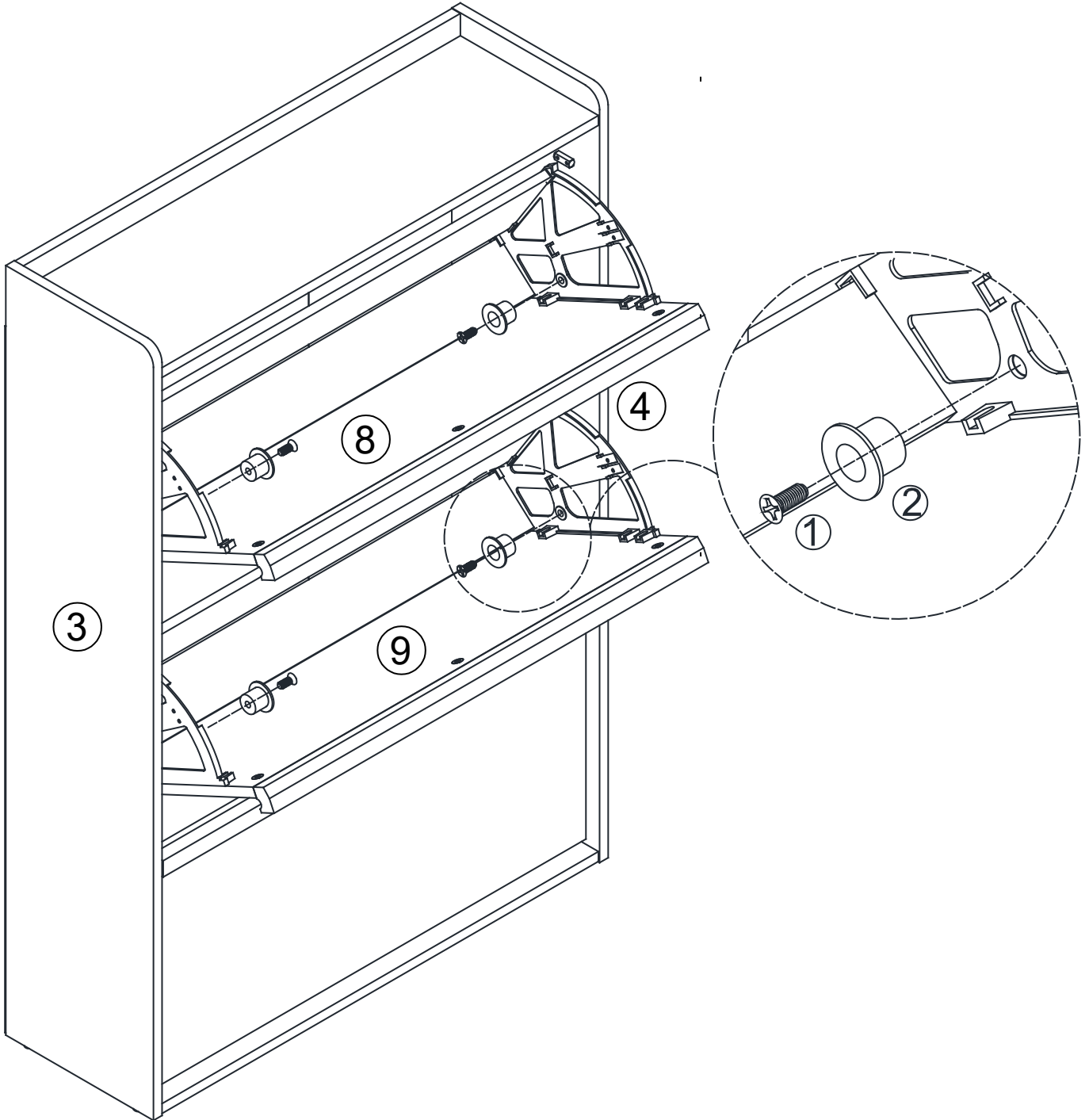
①



②



Pls noted team work is need here



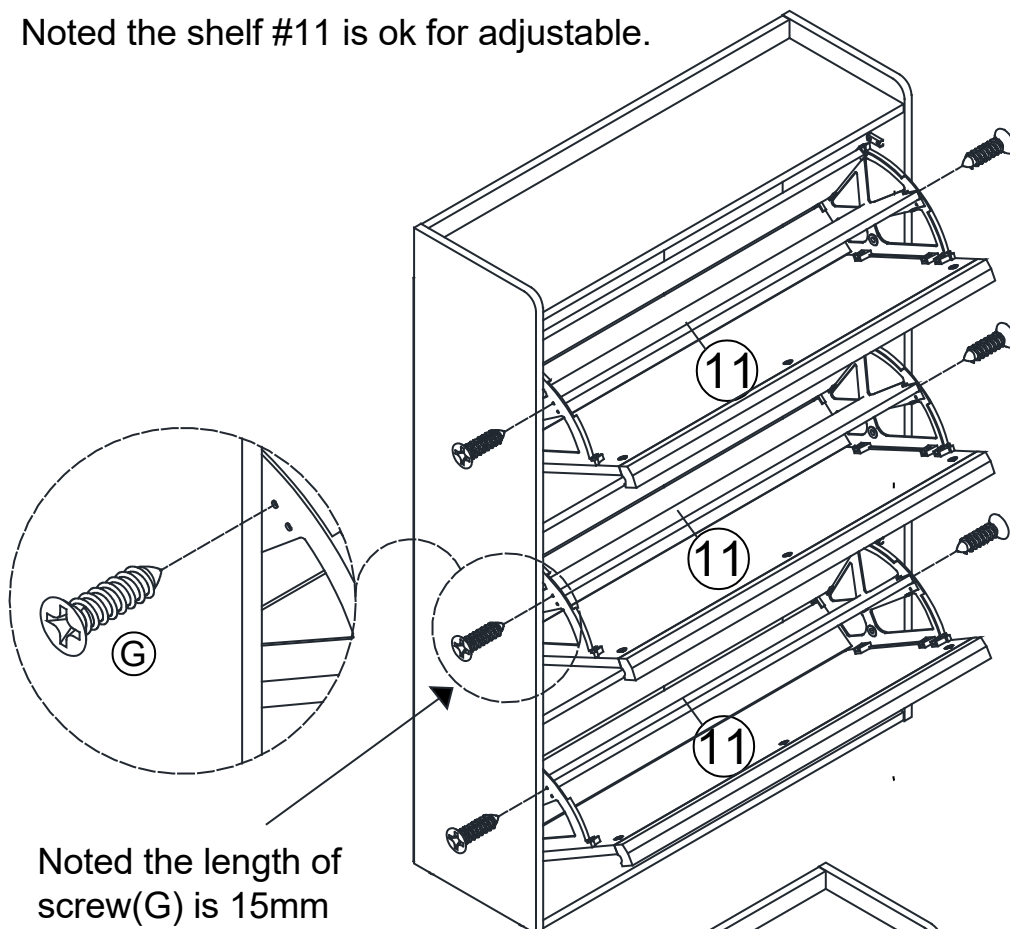
24

ⓐ x 6pcs

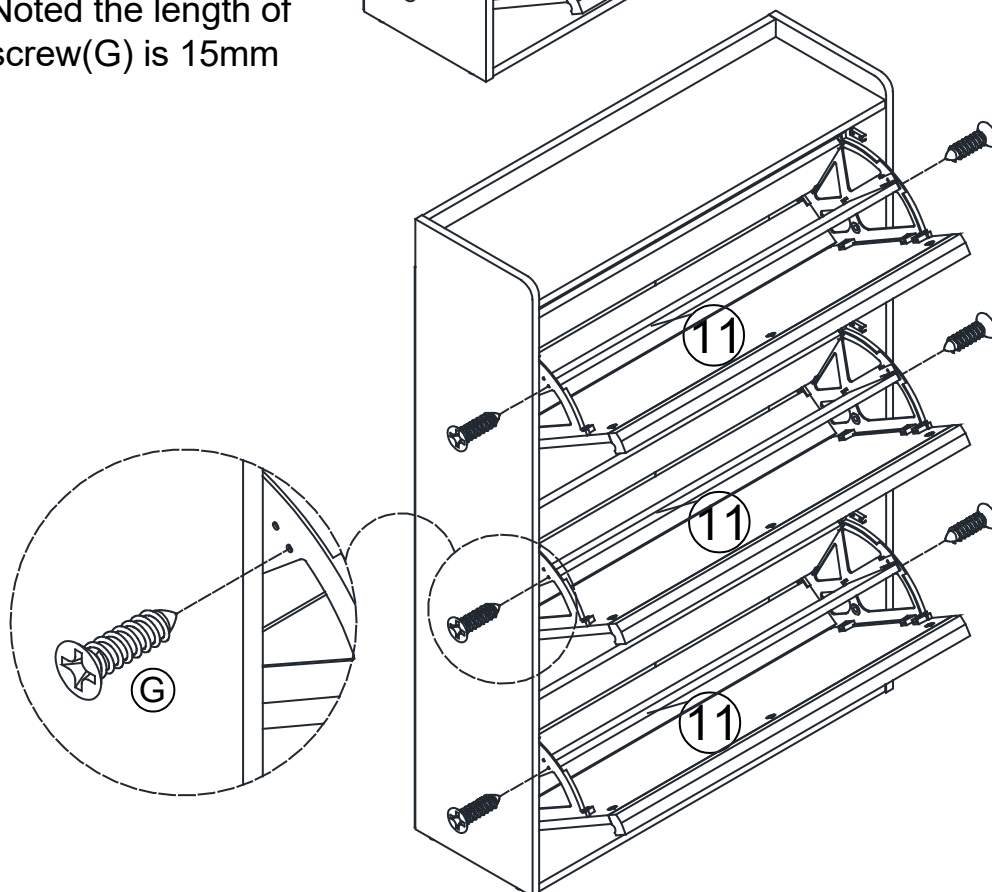


M4*15mm

Noted the shelf #11 is ok for adjustable.



Noted the length of screw(G) is 15mm



25

© x 25pcs



Peel a CAM COVER from the CAM COVER CARD and stick one onto each visible HIDDEN CAM.

